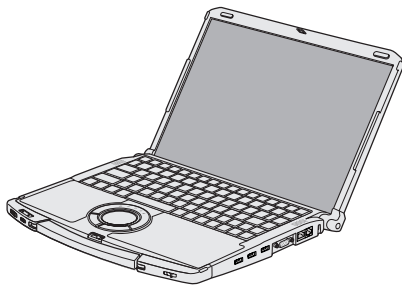


OPERATING INSTRUCTIONS

Personal Computer

Model No. **CF-F9** series



Contents

Getting Started

Introduction	2
Read Me First	3
(Precautions)	
Description of Parts	10
First-time Operation	12

Getting Started

Useful Information

On-screen Manual	18
Handling and Maintenance	19
Reinstalling Software	23

Useful Information

Troubleshooting

Troubleshooting (Basic)	25
-------------------------------	----

Troubleshooting

Appendix

LIMITED USE LICENSE AGREEMENT	29
Specifications	30
Standard Limited Warranty	33

Appendix

For further information about the computer, you can refer to the on-screen manual.

To access the on-screen manual
→ page 18 "On-screen Manual"

Please read these instructions carefully before using this product, and save this manual for future use.

Introduction

Thank you for purchasing this Panasonic product. For optimum performance and safety, please read these instructions carefully.

■ Terms and illustrations in these instructions

CAUTION : Conditions that may result in minor or moderate injury.

NOTE : Useful and helpful information.

Enter : Press [Enter] key.

Fn + F5 : Press and hold [Fn] key, and then press [F5] key.


Windows 7

 (Start) - [All Programs]: Click  (Start), and then click [All Programs]. You may need to double-click in some cases.

Windows XP

[start] - [Run] : Click [start], and then click [Run]. You may need to double-click in some cases.

→ : Page in these Operating Instructions or in the Reference Manual.

→  : Reference to the on-screen manuals of the computer.

- Some illustrations are simplified to help your understanding and may look different from the actual unit.
- If you do not log on as an administrator, you cannot use some functions or cannot display some screens.
- Refer for the latest information about optional products to the catalogs, etc.
- In these instructions, the names and terms are referred as follows.
 - “Genuine Windows® 7 Professional” as “Windows” or “Windows 7”
 - “Genuine Microsoft® Windows® XP Professional Service Pack 3” as “Windows” or “Windows XP”
 - “WinDVD™ 8 (OEM Version)” as “WinDVD”
 - “Multilingual User Interface” as “MUI”
- The display modes are referred as follows. () indicates the terms in [Intel® Graphics and Media Control Panel] screen. To display the screen, right-click the desktop and click [Graphics Properties].
 - Internal LCD (Notebook): The computer’s display
 - External display (Monitor): External display
 - Simultaneous display (Intel (R) Dual Display Clone): The same screen is displayed on the internal LCD and the external display.
 - Extended Desktop: The extended working area across the internal LCD and the external display.

■ Disclaimer

Computer specifications and manuals are subject to change without notice. Panasonic Corporation assumes no liability for damage incurred directly or indirectly from errors, omissions or discrepancies between the computer and the manuals.

■ Trademarks

Microsoft®, Windows® and the Windows logo are registered trademarks of Microsoft Corporation of the United States and/or other countries.

Intel, Core and PROSet are either registered trademarks or trademarks of Intel Corporation.

SDHC Logo is a trademark of SD-3C, LLC.



Adobe, the Adobe logo and Adobe Reader are either registered trademarks or trademarks of Adobe Systems Incorporated in the United States and/or other countries.

Bluetooth™ is a trademark owned by Bluetooth SIG, Inc., U.S.A. and licensed to Panasonic Corporation.

Corel, InterVideo, WinDVD™, the InterVideo logo and the Corel logo are trademarks or registered trademarks of Corel Corporation and/or its subsidiaries in Canada, the United States and/or other countries.

Sonic and Roxio are trademarks or registered trademarks of Sonic in the United States and/or other countries.

Computrace® is a registered trademark of Absolute® Software Corp.

Names of products, brands, etc., appearing in this manual are trademarks or registered trademarks of their respective own companies.

Read Me First

Models for Europe

<Only for model with a “CE Ⓢ” mark on the bottom of the computer>



Declaration of Conformity (DoC)

“Hereby, Panasonic declares that this Personal Computer is in compliance with the essential requirements and other relevant provisions of the Directive 1999/5/EC.”

Hint:

If you want to get a copy of the original DoC of our above mentioned products, please contact our web address:
<http://www.doc.panasonic.de>

Authorised Representative:
Panasonic Testing Centre
Panasonic Marketing Europe GmbH
Winsbergring 15, 22525 Hamburg, Germany

Network connection of Wired Modem.
The terminal equipment is intended for connection to the following public network;
In all the countries of European Economical Area and Turkey;
- Public Switched Telephony Networks

Technical Features of Wired Modem.
The terminal equipment includes the following features;
- DTMF dialing
- Maximum bitrate receiving mode: 56 kbit/s
- Maximum bitrate sending mode: 33.6 kbit/s

Indication of the countries where WLAN is intended to be used:
AT BE BG CH CY CZ DE DK EE ES
FI FR GB GR HU IE IS IT LT LU
LV MT NL NO PL PT RO SE SI SK TR

18-25-E-1

<Only for model with a “CE” mark on the bottom of the computer>



Declaration of Conformity (DoC)

“Hereby, Panasonic declares that this Personal Computer is in compliance with the essential requirements and other relevant provisions of the Directive 1999/5/EC.”

Hint:

If you want to get a copy of the original DoC of our above mentioned products, please contact our web address: <http://www.doc.panasonic.de>

Authorised Representative:
Panasonic Testing Centre
Panasonic Marketing Europe GmbH
Winsbergring 15, 22525 Hamburg, Germany

Network connection of Wired Modem.
The terminal equipment is intended for connection to the following public network;
In all the countries of European Economical Area and Turkey;
- Public Switched Telephony Networks

Technical Features of Wired Modem.
The terminal equipment includes the following features;
- DTMF dialing
- Maximum bitrate receiving mode: 56 kbit/s
- Maximum bitrate sending mode: 33.6 kbit/s

18-E-1

This equipment requires minimum 20 cm spacing from all person's body (excluding extremities of hands, wrist and feet) in directions of the back and both sides of the LCD display during wireless modes of operation.

60-E-1

Models for UK

Warning

This apparatus must be earthed for your safety.

To ensure safe operation the three-pin plug must be inserted only into a standard three-pin power point which is effectively earthed through the normal household wiring.

Extension cords used with the equipment must be three-core and be correctly wired to provide connection to earth.

Wrongly wired extension cords are a major cause of fatalities.

The fact that the equipment operates satisfactorily does not imply that the power point is earthed and that the installation is completely safe.

For your safety, if you have any doubt about the effective earthing of the power point, consult a qualified electrician.

Getting Started

Read Me First

FOR YOUR SAFETY PLEASE READ THE FOLLOWING TEXT CAREFULLY

This appliance is supplied with a moulded three pin mains plug for your safety and convenience. A 3 amp fuse is fitted in this plug. Should the fuse need to be replaced please ensure that the replacement fuse has a rating of 3 amps and that it is approved by ASTA or BSI to BS 1362.

Check for the ASTA mark  or the BSI mark  on the body of the fuse.

If the plug contains a removable fuse cover you must ensure that it is refitted when the fuse is replaced. If you lose the fuse cover the plug must not be used until a replacement cover is obtained.

A replacement fuse cover can be purchased from your local Panasonic Dealer.

IF THE FITTED MOULDED PLUG IS UNSUITABLE FOR THE SOCKET OUTLET IN YOUR HOME THEN THE FUSE SHOULD BE REMOVED AND THE PLUG CUT OFF AND DISPOSED OF SAFELY.

THERE IS A DANGER OF SEVERE ELECTRICAL SHOCK IF THE CUT OFF PLUG IS INSERTED INTO ANY 13 AMP SOCKET.


If a new plug is to be fitted please observe the wiring code as shown below. If in any doubt please consult a qualified electrician.

Warning: THIS APPLIANCE MUST BE EARTHED.

Important

The wires in this mains lead are coloured in accordance with the following code:

Green-and-yellow:	Earth
Blue:	Neutral
Brown:	Live

As the colours of the wires in the mains lead of this apparatus may not correspond with the coloured markings identifying the terminals in your plug, proceed as follows: The wire which is coloured GREEN-and-YELLOW must be connected to the terminal in the plug which is marked by the letter E or by the safety earth symbol  coloured GREEN or GREEN-and-YELLOW.

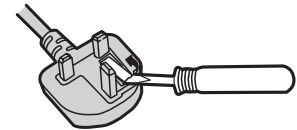
The wire which is coloured Blue must be connected to the terminal which is marked with the letter N or coloured BLACK.

The wire which is coloured Brown must be connected to the terminal which is marked with the letter L or coloured RED. The mains plug on this equipment must be used to disconnect the mains power.

Please ensure that a socket outlet is available near the equipment and shall be easily accessible.

■ How to replace the fuse

Open the fuse compartment with a screwdriver and replace the fuse.



Warnings

- This equipment is not designed for connection to an IT power system.
(An IT system is a system having no direct connections between live parts and Earth; the exposed-conductive-parts of the electrical installation are earthed.
An IT system is not permitted where the computer is directly connected to public supply systems in the U.K.)
- Disconnect the mains plug from the supply socket when the computer is not in use.

This equipment is produced to BS800/1983.

8-E-1

Important Safety Instructions

<Only for model with modem>

When using your telephone equipment, basic safety precautions should always be followed to reduce the risk of fire, electric shock and injury to persons, including the following:

1. Do not use this product near water, for example, near a bath tub, wash bowl, kitchen sink or laundry tub, in a wet basement or near a swimming pool.
2. Avoid using a telephone (other than a cordless type) during an electrical storm. There may be a remote risk of electric shock from lightning.
3. Do not use the telephone to report a gas leak in the vicinity of the leak.
4. Use only the power cord and batteries indicated in this manual. Do not dispose of batteries in a fire. They may explode. Check with local codes for possible special disposal instructions.

SAVE THESE INSTRUCTIONS

19-E-1

Information to the User

<Only for model with wireless LAN/wireless WAN/Bluetooth>

This product and your Health

This product, like other radio devices, emits radio frequency electromagnetic energy. The level of energy emitted by this product however is far much less than the electromagnetic energy emitted by wireless devices like for example mobile phones.

Because this product operates within the guidelines found in radio frequency safety standards and recommendations, we believe this product is safe for use by consumers. These standards and recommendations reflect the consensus of the scientific community and result from deliberations of panels and committees of scientists who continually review and interpret the extensive research literature.

In some situations or environments, the use of this product may be restricted by the proprietor of the building or responsible representatives of the organization. These situations may for example include:

- Using this product on board of airplanes, or
- In any other environment where the risk of interference to other devices or services is perceived or identified as harmful.

If you are uncertain of the policy that applies on the use of wireless devices in a specific organization or environment (e.g. airports), you are encouraged to ask for authorization to use this product prior to turning on the product.

Regulatory Information

We are not responsible for any radio or television interference caused by unauthorized modification of this product. The correction of interference caused by such unauthorized modification will be the responsibility of the user. We and its authorized resellers or distributors are not liable for damage or violation of government regulations that may arise from failing to comply with these guidelines.

26-M-1

Lithium Battery

Lithium Battery!

This computer contains a lithium battery to enable the date, time, and other data to be stored. The battery should only be exchanged by authorized service personnel.

Warning! A risk of explosion from incorrect installation or misapplication may possibly occur.

15-E-1

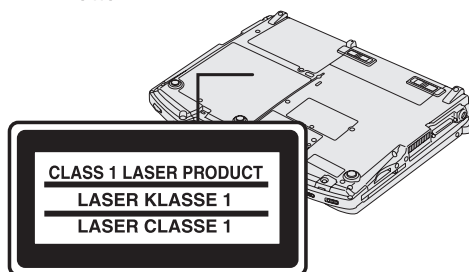
CD/DVD Drive Caution

CAUTION!

THIS PRODUCT UTILIZES A LASER.
USE OF CONTROLS, ADJUSTMENTS OR PERFORMANCE OF PROCEDURES OTHER THAN THOSE SPECIFIED HEREIN MAY RESULT IN HAZARDOUS RADIATION EXPOSURE.
DO NOT OPEN COVERS AND DO NOT REPAIR YOURSELF.
REFER SERVICING TO QUALIFIED PERSONNEL.

12-E-1

Bottom



12-1-1

Safety Precautions

<Only for model with wireless WAN>

The following safety precautions must be observed during all phases of the operation, usage, service or repair of any Personal Computer or Handheld Computer incorporating Wireless WAN. Manufacturers of the cellular terminal are advised to convey the following safety information to users and operating personnel and to incorporate these guidelines into all manuals supplied with the product. Failure to comply with these precautions violates safety standards of design, manufacture and intended use of the product. Panasonic assumes no liability for customer failure to comply with these precautions.



When in a hospital or other health care facility, observe the restrictions on the use of mobiles. Switch Personal Computer or Handheld Computer incorporating Wireless WAN off, if instructed to do so by the guidelines posted in sensitive areas. Medical equipment may be sensitive to RF energy. The operation of cardiac pacemakers, other implanted medical equipment and hearing aids can be affected by interference from Personal Computer or Handheld Computer incorporating Wireless WAN placed close to the device. If in doubt about potential danger, contact the physician or the manufacturer of the device to verify that the equipment is properly shielded. Pacemaker patients are advised to keep their Personal Computer or Handheld Computer incorporating Wireless WAN away from the pacemaker, while it is on.



Switch off Personal Computer or Handheld Computer incorporating Wireless WAN before boarding an aircraft. Make sure it cannot be switched on inadvertently. The operation of wireless appliances in an aircraft is forbidden to prevent interference with communications systems. Failure to observe these instructions may lead to the suspension or denial of cellular services to the offender, legal action, or both. For details on usage of this unit in aircrafts please consult and follow instruction provided by the airline.



Do not operate Personal Computer or Handheld Computer incorporating Wireless WAN in the presence of flammable gases or fumes. Switch off the cellular terminal when you are near petrol stations, fuel depots, chemical plants or where blasting operations are in progress. Operation of any electrical equipment in potentially explosive atmospheres can constitute a safety hazard.



Your Personal Computer or Handheld Computer incorporating Wireless WAN receives and transmits radio frequency energy while switched on. Remember that interference can occur if it is used close to TV sets, radios, computers or inadequately shielded equipment. Follow any special regulations and always switch off Personal Computer or Handheld Computer incorporating Wireless WAN wherever forbidden, or when you suspect that it may cause interference or danger.



Road safety comes first! Do not use a Personal Computer or Handheld Computer incorporating Wireless WAN while driving a vehicle. Do not place the computer with Wireless WAN in an area where it could cause personal injury to the driver or passengers. It is recommended to stow the unit in the boot or secure stowage area while driving. Do not place the computer with Wireless WAN in an area over an air bag or in the vicinity where an air bag may deploy. Air bags inflate with great force and if the computer with Wireless WAN is placed in the air bag deployment area may be propelled with great force and cause serious injury to occupants of the vehicle.



IMPORTANT!

Personal Computer or Handheld Computer incorporating Wireless WAN operate using radio signals and cellular networks cannot be guaranteed to connect in all conditions. Therefore, you should never rely solely upon any wireless device for essential communications, for example emergency calls.

Remember, in order to make or receive calls, Personal Computer or Handheld Computer incorporating Wireless WAN must be switched on and in a service area with adequate cellular signal strength.

Some networks do not allow for emergency calls if certain network services or phone features are in use (e.g. lock functions, fixed dialing etc.). You may need to deactivate those features before you can make an emergency call.

Some networks require that a valid SIM card be properly inserted in Personal Computer or Handheld Computer incorporating Wireless WAN.

27-1-2

Precautions

THIS PRODUCT IS NOT INTENDED FOR USE AS, OR AS PART OF, NUCLEAR EQUIPMENT/SYSTEMS, AIR TRAFFIC CONTROL EQUIPMENT/SYSTEMS, AIRCRAFT COCKPIT EQUIPMENT/SYSTEMS^{*1}, MEDICAL DEVICES OR ACCESSORIES^{*2}, LIFE SUPPORT SYSTEMS OR OTHER EQUIPMENTS/DEVICES/SYSTEMS THAT ARE INVOLVED WITH ENSURING HUMAN LIFE OR SAFETY. PANASONIC WILL NOT BE RESPONSIBLE FOR ANY LIABILITY RESULTING FROM THE USE OF THIS PRODUCT ARISING OUT OF THE FOREGOING USES.

*1 AIRCRAFT COCKPIT EQUIPMENT/SYSTEMS include Class2 Electrical Flight Bag (EFB) Systems and Class1 EFB Systems when used during critical phases of flight (e.g., during take-off and landing) and/or mounted on to the aircraft. Class1 EFB Systems and 2 EFB Systems are defined by FAA: AC (Advisory Circular) 120-76A or JAA: JAA TGL (Temporary Guidance Leaflets) No.36.

*2 As defined by the European Medical Device Directive (MDD) 93/42/EEC.

Panasonic cannot guarantee any specifications, technologies, reliability, safety (e.g. Flammability/Smoke/Toxicity/Radio Frequency Emission, etc) requirements related to aviation standards and medical equipment standards that differ from the specifications of our COTS (Commercial-Off-The-Shelf) products.

If a Malfunction or Trouble Occurs, Immediately Stop Use

If a Malfunction Occurs, Immediately Unplug the AC Plug and the Battery Pack

- This product is damaged
- Foreign object inside this product
- Smoke emitted
- Unusual smell emitted
- Unusually hot

Continuing to use this product while any of the above conditions are present may result in fire or electric shock.

- If a malfunction or trouble occurs, immediately turn the power off and unplug the AC plug, and then remove the battery pack. Then contact your technical support office for repair.

Do Not Touch This Product and Cable When It Starts Thundering

Electric shock may result.

Do Not Connect the AC Adaptor to a Power Source Other Than a Standard Household AC Outlet

Otherwise, a fire due to overheating may result. Connecting to a DC/AC converter (inverter) may damage the AC adaptor. On an airplane, only connect the AC adaptor/charger to an AC outlet specifically approved for such use.

Do Not Do Anything That May Damage the AC Cord, the AC Plug, or the AC Adaptor

Do not damage or modify the cord, place it near hot tools, bend, twist, or pull it forcefully, place heavy objects on it, or bundle it tightly.

Continuing to use a damaged cord may result in fire, short circuit, or electric shock.

- For details on handling the cord of the AC adaptor, see "Handling Cautions" (→ page 19).

Do Not Pull or Insert the AC Plug If Your Hands Are Wet

Electric shock may result.

Clean Dust and Other Debris of the AC Plug Regularly

If dust or other debris accumulates on the plug, humidity, etc. may cause a defect in the insulation, which may result in a fire.

- Pull the plug, and wipe it with a dry cloth.
Pull the plug if the computer is not being used for a long period of time.

Insert the AC Plug Completely

If the plug is not inserted completely, fire due to overheating or electric shock may result.

- Do not use a damaged plug or loose AC outlet.

Do Not Place Containers of Liquid or Metal Objects on Top of This Product

If water or other liquid spills, or if paper clips, coins, or foreign matter get inside this product, fire or electric shock may result.

- If water spills in the keyboard, refer to page 21. If other foreign matter has found its way inside, immediately turn the power off and unplug the AC plug and remove the battery pack. Then contact your technical support office.

Do Not Disassemble This Product

The high-voltage areas inside may give you an electric shock, or foreign matter may enter and result in a fire.

Keep SD Memory Cards Away from Infants and Small Children

Accidental swallowing will result in bodily injury.

- In the event of accidental swallowing, see a doctor immediately.

Do Not Place This Product on Unstable Surfaces

If balance is lost, this product may fall over or drop, resulting in an injury.

Avoid Stacking

If balance is lost, this product may fall over or drop, resulting in an injury.

Do Not Keep This Product Wherever There is a Lot of Water, Moisture, Steam, Dust, Oily Vapors, etc.

Otherwise, possibly resulting in fire or electric shock.

Do Not Leave This Product in High Temperature Environment for a Long Period of Time

Leaving this product where it will be exposed to extremely high temperatures such as near fire or in direct sunlight may deform the cabinet and/or cause trouble in the internal parts. Continued use in such a resulting condition may lead to short-circuiting or insulation defects, etc. which may in turn lead to a fire or electric shocks.

Do Not Block the Ventilation Hole

Otherwise, heat will build up inside, possibly resulting in a fire.

Read Me First

Hold the Plug When Unplugging the AC Plug

Pulling on the cord may damage the cord, resulting in a fire or electric shock.

Do Not Move This Product While the AC Plug Is Connected

The AC cord may be damaged, resulting in fire or electric shock.

- If the AC cord is damaged, unplug the AC plug immediately.

Use Only the Specified AC Adaptor With This Product

Using an AC adaptor other than the one supplied (supplied with the unit or one sold separately as an accessory) may result in a fire.

Do Not Subject the AC Adaptor to Any Strong Impact

Using the AC adaptor after a strong impact such as being dropped may result in electric shock, short circuit, or fire.

Take a Break of 10-15 Minutes Every Hour

Using this product for long periods of time may have detrimental health effects on the eyes or hands.

Do Not Look into the CD/DVD Drive

Looking directly at the internal laser light source may result in damage to eyesight.

Do Not Use Discs That Are Cracked or Deformed

Because the discs rotate at high speeds, damaged discs may break apart causing injury.

- Discs that are not round and discs that have been repaired using adhesives are similarly dangerous, and so should not be used.

Do Not Turn the Volume Up to Loud When Using Headphones

Listening at high volumes that overstimulate the ear for long periods of time may result in loss of hearing.

<Only for model with modem>

Use the Modem with a Regular Telephone Line

Connection to an internal phone line (on-premise switches) of a company or business office, etc. or to a digital public phone or use in a country or area not supported by the computer may result in a fire or electric shocks.

Do Not Connect a Telephone Line, or a Network Cable Other Than the One Specified, into the LAN Port

If the LAN port is connected to a network such as the ones listed below, a fire or electric shock may result.

- Networks other than 1000BASE-T, 100BASE-TX or 10BASE-T
- Phone lines (IP phone (Internet Protocol Telephone), Telephone lines, internal phone lines (on-premise switches), digital public phones, etc.)

Do Not Use with Exposing the Skin to This Product for a Long Period of Time

Using this product with exposing the skin to the heat source of this product or AC adaptor for a long period of time can cause a low-temperature burn.

- Do not place the computer near a television or radio receiver.
- Keep the computer away from magnets. Data stored on the hard disk may be lost.
- This computer is not intended for the display of images for use in medical diagnosis.
- This computer is not intended for a use with connection of medical equipment for the purpose of medical diagnosis.
- Panasonic shall not be liable for loss of data or other incidental or consequential damages resulting from the use of this product.

Interface Cable

Use of an interface cable longer than 3 m {9.84 feet} is not recommended.

11-E-1

Precautions (Battery Pack)

Do Not Use with Any Other Product

The battery pack is rechargeable and was intended for the specified product. If it is used with a product other than the one for which it was designed, electrolyte leakage, generation of heat, ignition or rupture may result.

Do Not Charge the Battery Using Methods Other Than Those Specified

If the battery is not charged using one of the specified methods, electrolyte leakage, generation of heat, ignition or rupture may result.

Do Not Throw the Battery Pack into a Fire or Expose It to Excessive Heat

Generation of heat, ignition or rupture may result.

Avoid Extreme Heat (Near the Fire, in Direct Sunlight, for Example)

Electrolyte leakage, generation of heat, ignition or rupture may result.

Do Not Insert Sharp Objects into the Battery Pack, Expose It to Bumps or Shocks, Disassemble, or Modify It

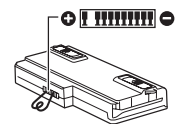
Electrolyte leakage, generation of heat, ignition or rupture may result.

- If this product is subjected to a strong impact, stop using it immediately.

Do Not Short the Positive (+) and Negative (-) Contacts

Generation of heat, ignition or rupture may result.

- Do not place the battery pack together with articles such as necklaces or hairpins when carrying or storing.



Do Not Use This Product with a Battery Pack Other Than the One Specified

Use only the specified battery pack (CF-VZSU56U) with your product. Use of battery packs other than those manufactured and supplied by Panasonic may present a safety hazard (generation of heat, ignition or rupture).

When the Battery Pack Has Deteriorated, Replace It with a New One

Continued use of a damaged battery pack may result in heat generation, ignition or battery rupture.

- Do not touch the terminals on the battery pack. The battery pack may no longer function properly if the contacts are dirty or damaged.


- Do not expose the battery pack to water, or allow it to become wet.
- If the battery pack will not be used for a long period of time (a month or more), charge or discharge (use) the battery pack until the remaining battery level becomes 30% to 40% and store it in a cool, dry place.
- This computer prevents overcharging of the battery by recharging only when the remaining power is less than approx. 95% (when Economy Mode (ECO) is enabled: 75%) of capacity.
- The battery pack is not charged when the computer is first purchased. Be sure to charge it before using it for the first time. When the AC adaptor is connected to the computer, charging begins automatically.
- Should the battery leak and the fluid get into your eyes, do not rub your eyes. Immediately flush your eyes with clear water and see a doctor for medical treatment as soon as possible.

CAUTION:

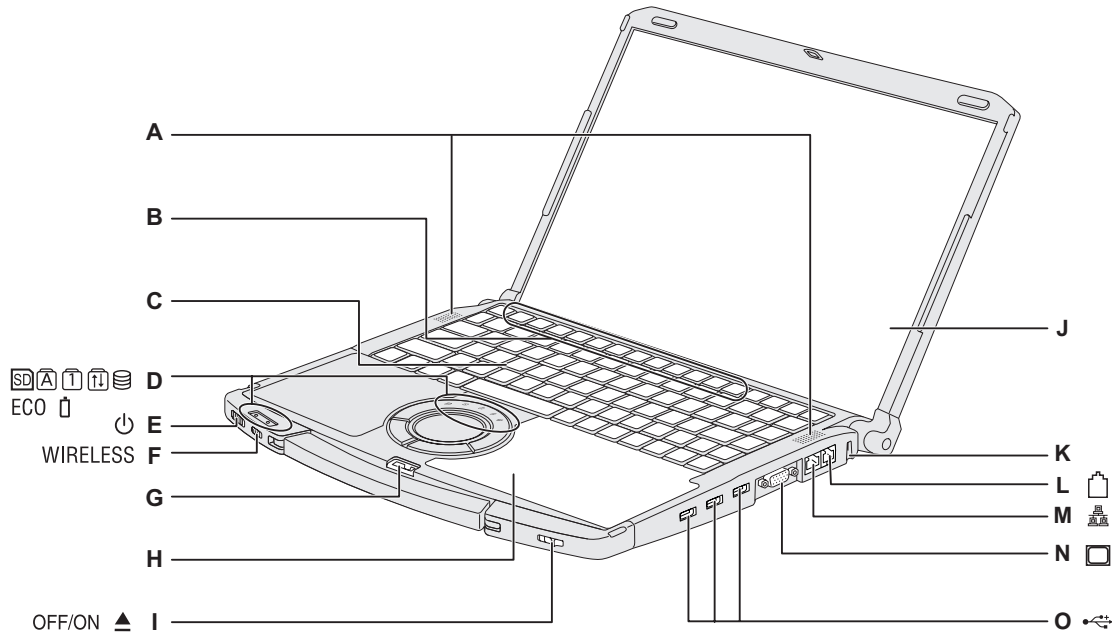
Risk of Explosion if Battery is replaced by an Incorrect Type.
Dispose of Used Batteries According to the Instructions.

58-E-1

NOTE

- The battery pack may become warm during recharging or normal use. This is completely normal.
- Recharging will not commence if internal temperature of the battery pack is outside of the allowable temperature range (0 °C to 55 °C). (→  *Reference Manual* "Battery Power")
Once the allowable range requirement is satisfied, charging begins automatically. Note that the recharging time varies based on the usage conditions. (Recharging takes longer than usual when the temperature is 10 °C or below.)
- In high-temperature environments, the battery takes longer to fully recharge. In low-temperature environments, the battery takes longer to fully recharge and the operating time is shorter. Only use the computer within the allowable temperature range.
- The battery pack is a consumable item. If the amount of time the computer can be run by using a particular battery pack becomes dramatically shorter and repeated recharging does not restore its performance, the battery pack should be replaced with a new one.
- When transporting a spare battery inside a package, briefcase, etc., it is recommended that it be placed in a plastic bag so that its contacts are protected.
- Always power off the computer when it is not in use. Leaving the computer on when the AC adaptor is not connected will exhaust the remaining battery capacity.

Description of Parts



Getting Started

A : Speakers

B : Function Key

→ Reference Manual "Key Combinations"

C : Keyboard

D : LED Indicator

: SD/SDHC Memory Card status

: Caps lock

: Numeric key (NumLk)

: Scroll lock (ScrLk)

: Hard disk drive status

ECO : Economy Mode (ECO) status

→ Reference Manual "Battery Power"

: Battery status

→ Reference Manual "Battery Power"

E : Power Switch

→ page 13

Power Indicator

• Off: Power off/Hibernation

• Green: Power on

• Blinking green: **Windows 7** Sleep/ **Windows XP** Standby

F : Wireless Switch

Switch the wireless devices to on (right side) or to off (left side).

<Only for model with wireless LAN/wireless WAN/Bluetooth>

→ Reference Manual "Disabling/Enabling Wireless Communication"

G : Latch

When closing the display, press down firmly from above until the latch is firmly closed (locked).

H : CD/DVD Drive

→ Reference Manual "CD/DVD Drive"

I : CD/DVD Drive Power/Open Switch

• Slide the switch to the right to open the disc cover.

• Slide the switch to the left to turn on/off the drive power.

CD/DVD Drive Indicator

• Off: Drive power is off or the disc cover is opened.

• Green: Drive power is on, but the drive is not accessed.

• Blinking green: Drive power is on, and the drive is being accessed.

J : LCD

K : Security Lock

You can connect a Kensington cable. Refer to the instruction manual of the cable. The security lock and cable is a theft prevention device. Panasonic Corporation will bear no responsibility in the event of theft.

L : Modem Port

<Only for model with modem>

→ Reference Manual "Modem"

M : LAN Port

If the desktop port replicator or mini port replicator is connected to the computer, connect the LAN cable to the LAN port on the desktop port replicator or mini port replicator. You cannot use the LAN port on the computer.

→ Reference Manual "LAN"

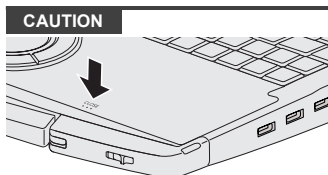
N : External Display Port

Connect the cable of external display. When the desktop port replicator or mini port replicator is connected, the connector for the desktop port replicator or mini port replicator can also be used. Note that only up to 2 displays including the internal LCD can be displayed.

→ Reference Manual "External Display"

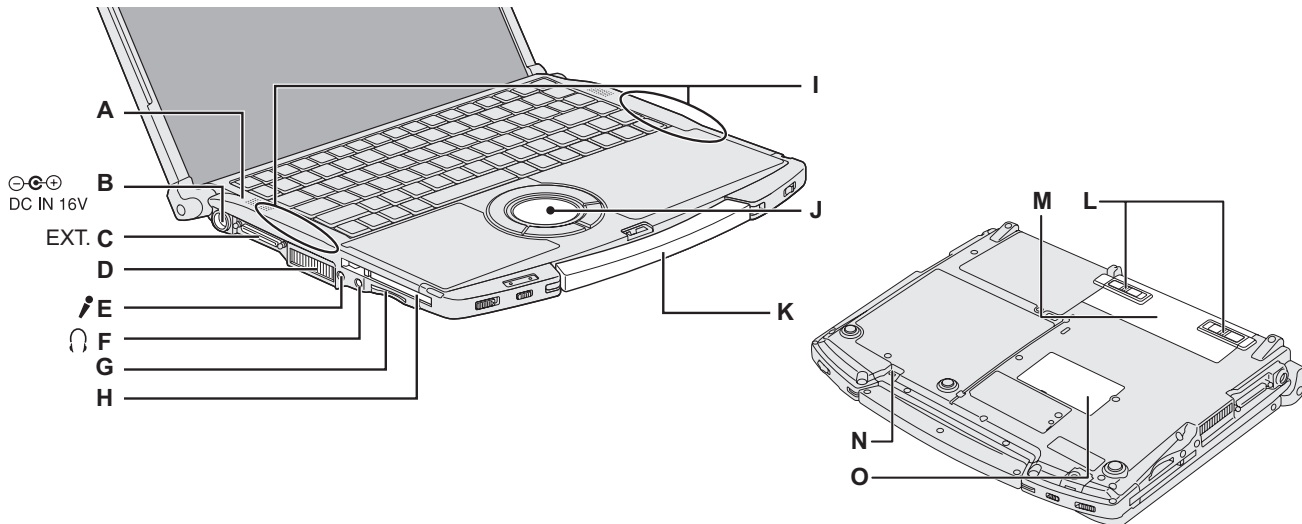
O : USB Ports

→ Reference Manual "USB Devices"



CAUTION

When closing the disc cover, press down the center of the disc cover (position indicated "CLOSE") to ensure that the cover is locked.



A : Bluetooth Antenna

<Only for model with Bluetooth>

→ *Reference Manual* “Bluetooth”

B : DC-IN Jack

C : Port Replicator Connector

Connect the desktop port repliator or mini port repliator (optional).

→ *Reference Manual* “Port Replicator”

D : Ventilation Hole

E : Microphone Jack

• When recording in stereo using a stereo microphone:

Windows 7

Click (Start) - [Control Panel] - [Hardware and Sound] - [Sound] - [Recording] - [Microphone] - [Properties], and then remove a check mark of [Enable audio enhancements] in [Advanced].

Windows XP

Click [start] - [All Programs] - [SoundMAX] - [Control Panel] and select [Microphone], and then add a check mark for [No Filtering] in [Microphone Enhancements].

• When using a monaural microphone with a 2-terminal plug:

Windows 7

Click (Start) - [Control Panel] - [Hardware and Sound] - [Sound] - [Recording] - [Microphone] - [Properties], and then add a check mark for [Enable audio enhancements] in [Advanced].

Windows XP

Click [start] - [All Programs] - [SoundMAX] - [Control Panel] and select [Microphone], and then add a check mark for [Voice Recording] in [Microphone Enhancements]

F : Headphone Jack

You can connect headphones or amplified speakers. When they are connected, audio from the internal speakers is not heard.

G : SD Memory Card Slot

→ *Reference Manual* “SD/SDHC Memory Card”^{*1}

H : PC Card Slot

→ *Reference Manual* “PC Card”

I : Wireless LAN Antenna

<Only for model with wireless LAN>

→ *Reference Manual* “Wireless LAN”

J : Touch Pad

→ *Reference Manual* “Using the Touch Pad”

K : Carrying Handle

L : Battery Latches

→ page 12

M : Battery Pack

→ page 12

Although the Operating Instructions for the CF-VZSU56U battery pack (option) may indicate, “For use with I.T.E. Listed Notebook Computer, Panasonic, Model CF-F8,” the CF-VZSU56U can also be used with the CF-F9 series, in addition to the CF-F8 series.

→ *Reference Manual* “Battery Power”

N : Emergency Hole

→ *Reference Manual* “CD/DVD Drive”

O : RAM Module Slot

→ *Reference Manual* “Expanding Memory”

^{*1} **Windows 7** SD/SDHC/SDXC Memory Cards are supported.

<Only for model with wireless WAN>

Wireless WAN Antenna

SIM Card Slot
Open the cover and insert a SIM card.

- Insert the SIM card into the SIM Card Slot with the contact side facing upward and with the cut corner oriented as shown in the illustration.

Do not insert the SIM card upside down.

First-time Operation

■ Preparation

① Check and identify the supplied accessories.

If you do not find the described accessories, contact your technical support office.

• AC Adaptor 1

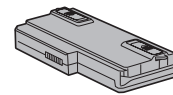


Model No: CF-AA6503A

• AC Cord 1



• Battery Pack. . . 1

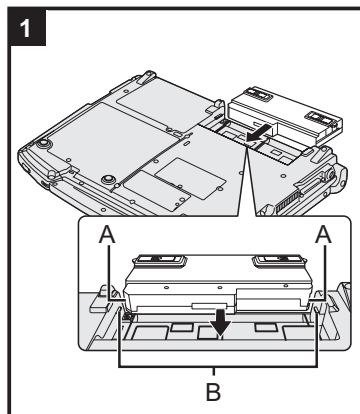


Model No: CF-VZSU56U

• Operating Instructions (This book)	1
• Product Recovery DVD-ROM Windows® 7 Professional	
<For localized OS model>	1
<For MUI OS model>	2
• Product Recovery DVD-ROM Windows® XP Professional SP3	
<For localized OS model>	1
<For MUI OS model>	2

② Read the LIMITED USE LICENSE AGREEMENT before breaking the seal on the computer's packaging (→ page 29).

Getting Started

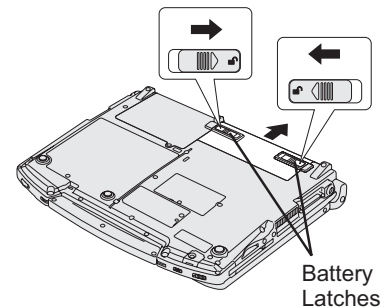


1 Insert the battery pack.

Slide the battery pack in parallel with the arrow direction and attach it so that the left and right dents (A) on the new battery pack match the projections (B) of the computer.

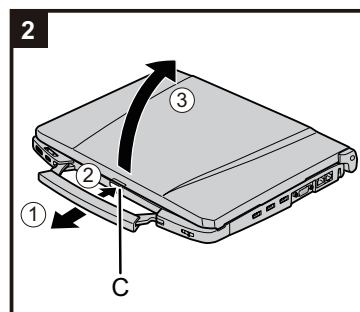
In case that the dents does not match the projections of the computer, detach the battery pack once, then slide it while pushing it lightly to avoid floating.

- To remove
Slide both the left and right latches to the unlocked position, and push out the battery pack in parallel with the computer.



CAUTION

- Make sure the battery latches are securely locked. Otherwise the battery pack may fall when you carry the computer.
- Do not touch the terminals of the battery pack and the computer. Doing so can make the terminals dirty or damaged, and may cause malfunction of the battery pack and the computer.

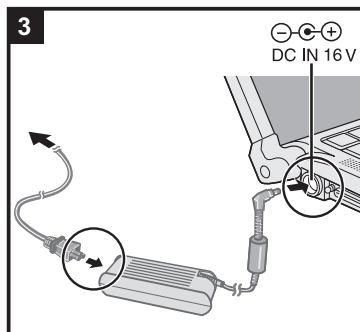


2 Open the display.

- ① Pull the carrying handle forward.
- ② Press and hold the latch (C) located at the front.
- ③ Lift open the display.
Store the carrying handle, after you open the display.

CAUTION

- Do not open the display wider than necessary (140° or more), and do not apply excessive pressure to the LCD. Do not open or close the computer holding the edge of the LCD segment.

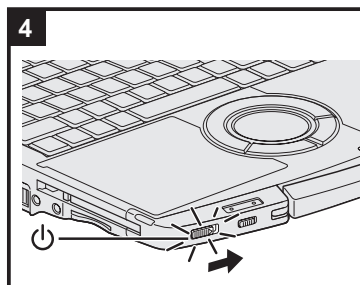


3 Connect your computer to a power outlet.



The battery charging starts automatically.

CAUTION


- **Do not disconnect the AC adaptor and do not switch the wireless switch to on until the first-time operation procedure is completed.**
- When using the computer for the first time, do not connect any peripheral device except the battery pack and AC adaptor.
- **Handling the AC adaptor**
 - Problems such as sudden voltage drops may arise during periods of thunder and lightning. Since this could adversely affect your computer, an uninterruptible power source (UPS) is highly recommended unless running from the battery pack alone.



4 Turn on the computer.


Slide and hold the power switch  for approximately one second until the power indicator  lights.

CAUTION

- Do not slide the power switch repeatedly.
- The computer will forcibly be turned off if you slide and hold the power switch for four seconds or longer.
- Once you turn off the computer, wait for ten seconds or more before you turn on the computer again.
- Do not perform the following operation until the hard disk drive indicator  turns off.
 - Connecting or disconnecting the AC adaptor
 - Sliding the power switch or CD/DVD drive power/open switch
 - Touching the keyboard or touch pad
 - Closing the display
- Do not change the Setup Utility until completing step 5. If you do so, Windows setup may not operate properly.

5 Setup Windows.

Follow the on-screen instructions.

- The computer restarts several times. Do not touch the keyboard or touch pad, and wait until the hard disk drive indicator  has turned off.

Windows 7

- After the computer is turned on, the screen remains black or unchanged for a while, but this is not a malfunction. Wait for a moment until the Windows setup screen appears.
- During setup of Windows, use the touch pad and clicking to move the cursor and to click an item.
- Setup of Windows will take approximately 20 minutes. Go to the next step, confirming each message on the display.
- “Join a wireless network” screen may not appear. You can set the Wireless Network after the setup of Windows is complete.

<For MUI OS model>

Windows 7

- Select language on “Setup Windows” screen and click [Next].
- Carefully choose your language because you cannot change it later. If you set a wrong language, you need to reinstall Windows (→ page 23).

Windows XP

- For some languages, the characters on the key and inputted character may not match. Set the keyboard properly after the setup is complete. Then set the password.

CAUTION

- You can change the user name, password, image, Wireless Networks (**Windows 7**) and security setting (**Windows XP**) after setup of Windows.
- Remember your password. If you forget the password, you cannot use the Windows. Creating a password reset disk beforehand is recommended.

Windows 7

- Do not use the following words for user name: CON, PRN, AUX, CLOCK\$, NUL, COM1 to COM9, LPT1 to LPT9, @. In particular, if you create a user name (account name) that includes the "@" mark, a password will be requested at the log-on screen, even if no password has been set. If you try to log on without entering a password, "The user name or password is incorrect." may be displayed and you will not be able to log on to Windows (→ page 27).
- Use standard characters as a computer name: numbers 0 through 9, uppercase and lowercase letters from A to Z, and the hyphen (-) character. If the error message "The computer name is not valid" appears, check if characters other than the above are not entered. If the error message still remains on the display, set the key entry mode to English ("EN") and enter characters.

<For MUI OS model>

- When setting up the keyboard, choose the appropriate one to your computer. Otherwise, input by the keyboard may become unavailable.

Windows XP

- When you set date/time/time zone and click [Next], the screen may not go to the next step for a few minutes. Do not touch the keyboard or touch pad, and wait until the screen changes.
- You cannot choose the following words for user name and password: CON, PRN, AUX, CLOCK\$, NUL, COM1 to COM9, LPT1 to LPT9.
- If "An unexpected error has occurred ..." (or a similar message) is displayed, click [OK]. This is not a malfunction.


<For MUI OS model>

- The keyboard will operate as the US keyboard until the keyboard setting is changed. Because of this, some alphabets shown on display may differ from inputted ones.
- To avoid the accidental selections, during setting up Windows,
 - Use the touch pad to make some selections.
 - Press the NumLock key and input in the Ten-key mode to input numbers.
- To match the languages, change the language settings after setting up Windows (→ below). Do not change the settings in [To change system or these settings, click Customize] of [Regional and Language Options] during setting up Windows.

6 <For MUI OS model> Install Adobe Reader.

Install Adobe Reader to read the Important Tips and the Reference Manual.

Windows 7

- ① Click  (Start) and input the following in [Search programs and files], then press **Enter**.

Windows XP

- ① Click [start] - [Run], input the following, then click [OK].

[c:\util\reader**\setup.exe]

- "**" depends on the language.

English : m	Arabic : ar	Bulgarian : bg	Chinese (Simplified) : sc
Chinese (Traditional) : tc	Croatian : yx	Czech : cs	Danish : da
Dutch : nl	Estonian : et	Finnish : fi	French : f
German : g	Greek : el	Hebrew : he	Hungarian : hu
Italian : t	Japanese : ja	Korean : ko	Latvian : lv
Lithuanian : lt	Norwegian : no	Polish : pl	Portuguese : pt
Romanian : ro	Russian : ru	Slovak : sk	Slovenian : sl
Spanish : p	Swedish : s	Turkish : tr	

Windows 7 Ukrainian :uk

Windows XP

7 <For MUI OS model> Change the language settings.

<Languages installed in this computer>

•English	•Arabic	•Bulgarian	•Chinese (Simplified)
•Chinese (Traditional)	•Croatian	•Czech	•Danish
•Dutch	•Estonian	•Finnish	•French
•German	•Greek	•Hebrew	•Hungarian
•Italian	•Japanese	•Korean	•Latvian
•Lithuanian	•Norwegian	•Polish	•Portuguese (Brazilian)
•Romanian	•Portuguese	•Slovak	•Slovenian
•Spanish	•Swedish	•Thai	•Turkish

Change the language settings in the following menu.

[start] - [Control Panel] - [Date, Time, Language, and Regional Options] - [Regional and Language Options]

- [Regional Options] - [Standards and Formats]
- [Languages] - [Language used in menus and dialogs]
- [Languages] - [Details] - [Default input language]
- [Advanced] - [Language for non-unicode Programs]

NOTE

- When you use MUI OS and localized OS versions together on the same network, use English computer names on localized versions of Windows.
- Some UI (User Interface) strings remain in English even if the user's UI is set to another language.
For further information, refer to "c:\windows\mui\relnotes.txt".
- If you change the language in [Languages] - [Language used in menus and dialogs], the desktop color will be changed when logging on to Windows next time. The desktop color can be changed by following the procedure below.
Click [start] - [Control Panel] - [Appearance and Themes] - [Display] - [Desktop] and select color from [Color], then click [OK].

Windows XP

8 Create a new account.

Click [start] - [Control Panel] - [User Accounts] - [Create a new account].


CAUTION

- Remember your password. If you forget the password, you cannot use the Windows operation system. Creating a password reset disk beforehand is recommended.


9 Change the internal CD/DVD drive letter if necessary.

→  Reference Manual "CD/DVD Drive"

NOTE

- **PC Information Viewer**
This computer periodically records the management information of the hard disk, etc. The maximum data volume for each record is 1024 bytes.
This information is only used for estimating the cause when the hard disk goes down by any possibility. They are never sent to outside via network nor used for any other purpose except for the purpose described the above.
To disable the function, add the check mark for [Disable the automatic save function for management information history] in [Hard Disk Status] of PC Information Viewer, and click [OK].
When you disable the function, information on how to use the hard disk of PC Information Popup is not displayed.
(→  Reference Manual "Check the Computer's Usage Status" and "PC Information Popup")
- **If you hear the sounds from CD/DVD drive**
In the following situations, the sounds from the CD/DVD drive can be heard.
 - Immediately after the CD/DVD drive is turned on
 - Just after turning on the computer with [Optical Drive Power] set to [On] in the Setup Utility
 - When a CD or DVD is playing
 The sounds you hear are normal operating sounds created by the motor in the CD/DVD drive operating; it is not a malfunction.

First-time Operation

- **To conserve power, the following power saving methods are set at the time of purchase. (When AC adaptor is connected)**
 - The screen automatically turns off after 15 minutes of inactivity.
 - The computer automatically enters **Windows 7** sleep^{*1} / **Windows XP** standby^{*1} after 20 minutes of inactivity.
- ^{*1} Refer to  *Reference Manual* "Sleep/Standby or Hibernation Functions" about resuming from sleep/standby.
- **Even when the AC adaptor is not connected to the computer, power is consumed (Max. 0.4 W) simply by having the AC adaptor plugged into an AC outlet. (When using with 230 V AC)**
- **Note that the computer consumes electricity even when the computer power is off. If the battery pack is fully charged, the battery will be fully discharged in the following period of time:**
 - In **Windows 7** sleep / **Windows XP** standby: Approx. 4.5 days (If "Wake Up from wired LAN" is enabled: 3 days)^{*2}
 - In hibernation: Approx. 20 days (If "Wake Up from wired LAN" is enabled: 6 days)^{*2}
 - When power is off: Approx. 20 days (If "Power On by wired LAN" is enabled: 6 days)
- ^{*2} If "Wake Up from wired LAN" is disabled, the period of time will become slightly longer.
- **When the CD/DVD drive power is turned off, the message "The 'MATSHITA DVDXXXXXXXXX' device can now be safely removed from ..." will appear, but the CD/DVD drive is an internal device, so it cannot be removed.**

■ When Starting Up/Shutting Down

- Do not do the following
 - Connecting or disconnecting the AC adaptor
 - Sliding the power switch or CD/DVD drive power/open switch
 - Touching the keyboard, touch pad or external mouse
 - Closing the display

Windows 7

■ Note about access to the hard disk


<For MUI OS model>

Languages other than the one selected at Windows Setup are uninstalled in the background while the computer stays idle.

During this period of time, the following issues may occur. These are caused by the specifications of Windows 7 and are not a malfunction.


- The uninstall process may continue for approximately 3 hours, during which time the computer may become unresponsive due to a continuous access to the hard disk, etc. You can restart or shutdown the computer during the process.
- The message "Configuring Windows features, preparing to configure Windows" may appear for up to about 20 minutes when shutting down or starting up the computer (including restart). Wait for the computer to shut down or start up normally.

Once the message is no longer displayed, follow the steps below to delete all but the most recent restore point. If you do not delete the restore points, the system files for languages other than the one selected will remain on the disk as backup data for the restore points, and the operation of the computer may become unresponsive.

- ① Click  (Start). And input "cleanmgr.exe" in [Search programs and files], and then, in the list of results, click [cleanmgr.exe].
- ② After a while, the "Disk Clean up for" setting screen appears.
Click [Clean up system files] - [More Options] - [System Restore and Shadow Copies] - [Clean up] - [Delete] - [OK] - [Delete Files].
- ③ Restart the computer.

■ To change the partition structure

You can shrink a part of an existing partition to create unallocated disk space, from which you can create a new partition. This computer has a single partition as default setting.

- ① Click  (Start) and right-click [Computer], then click [Manage].
 - A standard user needs to enter an administrator password.
- ② Click [Disk Management].
- ③ Right-click the partition for Windows ("c" drive in the default setting), and click [Shrink Volume].
 - The partition size depends on the computer specifications.

-
- ④ Input the size in [Enter the amount of space to shrink in MB] and click [Shrink].
 - You cannot input a larger number than the displayed size.
 - To select [Reinstall to the first 2 partitions.] in reinstalling Windows 7 (→ page 23), 30000 MB^{*3} or more is necessary for [Total size after shrink in MB].
 - ⑤ Right-click [Unallocated] (the shrunk space in the step ④) and click [New Simple Volume].
 - ⑥ Follow the on-screen instructions to make the settings, and click [Finish].
Wait until formatting is completed.

^{*3} For MUI OS model, 60000 MB or more is necessary.

NOTE

- You can create an additional partition using remaining unallocated space or newly creating unallocated space.
 - To delete a partition, right-click the partition and click [Delete Volume] in step ③.
-


On-screen Manual

You can access the following manuals on the computer screen after completing the "First-time Operation". When you access the on-screen manual for the first time, the License Agreement of the Adobe Reader may be displayed. Read it carefully and select [Accept] to proceed.

■ Reference Manual

The Reference Manual contains the practical information to help you fully enjoy the computer's performance.

To access the Reference Manual:

Windows 7 Double-click  on the desktop.

Windows XP Click [start] - [Reference Manual].

Alternatively click **Windows 7**  (Start) / **Windows XP** [start] - [All Programs] - [Panasonic] - [On-Line Manuals] - [Reference Manual].

NOTE

Windows 7

The Windows files included in the Windows 7 DVD-ROM are contained in the following folders:

<For localized OS model>

c:\windows\support\migwiz, .c:\windows\support\tools, .c:\windows\support\logging

<For MUI OS model>

- Some languages are not available depending on the model.

c:\windows\support**\migwiz, .c:\windows\support**\tools, .c:\windows\support**\logging

- "*" depends on the language.

English : en	Dutch : nl	Finnish : fi	French : fr
German : de	Italian : it	Norwegian : no	Russian : ru
Spanish : es	Swedish : sv	Turkish : tr	Arabic : ar
Bulgarian : bg	Chinese-Hong Kong : b3	Chinese-Simplified : xt	
Croatian : yx	Czech : cs	Danish : da	Estonian : et
Greek : el	Hebrew : iw	Hungarian : hu	Japanese : jp
Korean : ko	Latvian : lv	Lithuanian : lt	Polish : pl
Portuguese : pt	Portuguese (Brazilian) : xc	Romanian : ro	Serbian : st
Slovak : sk	Slovenian : sl	Thai : th	Ukrainian : uk

■ Important Tips

The Important Tips will provide you with the helpful information about the battery. Read to use the battery pack in the optimum condition to obtain longer operation time.

To access the Important Tips:

Double-click  on the desktop.

- Alternatively click **Windows 7**  (Start) / **Windows XP** [start] - [All Programs] - [Panasonic] - [On-Line Manuals] - [Important Tips].

■ Hard Disk Handling

The Hard Disk Handling will provide you with the helpful information on how to use the hard disk.

To access the Hard Disk Handling:

Click **Windows 7**  (Start) / **Windows XP** [start] - [All Programs] - [Panasonic] - [On-Line Manuals] - [Hard Disk Handling].

NOTE

- When Adobe Reader update notice is displayed, we recommend you follow the on-screen procedure to update. See <http://www.adobe.com/> for the latest version of Adobe Reader.

Handling and Maintenance

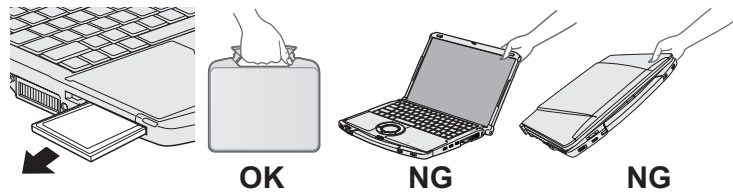
Operation Environment

- Place the computer on a flat stable surface. Do not place the computer upright. If the computer is exposed to an extremely strong impact, it may become inoperable.
 - Temperature: Operation: 5 °C to 35 °C
Storage: -20 °C to 60 °C
 - Humidity: Operation: 30% to 80% RH (No condensation)
Storage: 30% to 90% RH (No condensation)
- Even within the above temperature/humidity ranges, using for a long time in an extreme environment will result in the product deterioration and will shorten the product life.
- Be sure to use the computer in an environment with sufficient heat ventilation.
 - Avoid using the computer on a highly heat retentive surfaces (e.g., rubber pads and blankets). If possible, use the computer on surfaces that can dissipate heat, such as a steel desk.
 - Do not cover the computer with towels, keyboard covers, etc., as this prevents heat dissipation.
 - When using the computer, always keep the display open. (Note, however, that closing the display while the computer is in use does not cause generation of heat, ignition, or other malfunctions.)
 - Do not place the computer in the following areas, otherwise the computer may be damaged.
 - Near electronic equipment. Image distortion or noise may occur.
 - Near magnets or in magnetic fields.
 - In extremely high or low temperature.
 - As the computer can become hot during operation, keep it away from items that are sensitive to heat.

Handling Cautions

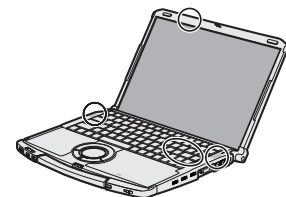
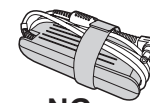
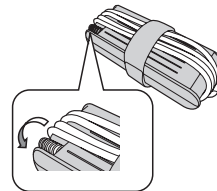
This computer is designed to minimize shock to parts such as the hard disk drive, but no warranty is provided against any trouble caused by shock. Be extremely careful when handling the computer.

- Note for the carrying handle
 - Do not pull out and push the carrying handle when using the computer.
 - When you store the carrying handle, take care you do not nip your finger between the handle and computer or at both handle edges.
- When carrying the computer:
 - Turn off the computer.
 - Remove all external devices, cables, cards and other protruding things.
 - Remove a disc in the CD/DVD drive.
 - Do not drop or hit the computer against solid objects.
 - Do not leave the display open.
 - Do not pick up or hold the computer by the display part.
 - Make sure the display is firmly closed when you carry the computer with the handle.
- When you carry the AC adaptor with the cord rolled up, roll it up as shown in (A). Do not roll up the cord in the opposite direction or crossed direction as shown in (B).
 - Be sure not to roll up the cord around the AC adaptor in use.
 - Pull out the AC cord. Also, do not roll up the AC cord.
- When you board an airplane, take the computer with you and never put it in your checked luggage. When using the computer on airplane, follow the airline's instructions.
- When carrying a spare battery, put it in a plastic bag to protect its terminals.
- This computer contains a magnet and magnetic products at the locations circled in the illustration at right. Avoid leaving metallic object or magnetic media in contact with these areas.
- The touch pad is designed to be used with a finger tip. Do not place any object on its surface and do not press down strongly with sharp-pointed or hard objects that may leave marks (e.g., nails, pencils and ball point pens).
- Avoid any harmful substances such as oil from getting into the touch pad. The cursor may not work correctly.
- If the computer is being carried in a soft bag with the battery pack removed, avoid undue pressure on the body of the computer in a crowded place, etc., as this may result in damage to the LCD.



(A)

(B)







■ When the battery indicator does not light on


The AC adaptor's protection function may be working when the battery indicator does not light on even if the AC adaptor and the battery pack are correctly connected with the computer.

- Pull out the AC cord and wait for more than 1 minute to reconnect the AC cord.
- If the problem persists, contact your technical support office.


Handling and Maintenance

■ If the computer becomes warm during usage

- Check the following
 - If you are not using a wireless LAN, turn the wireless LAN off.
 - **Windows XP**
If the computer becomes warm while the screen saver is displayed, set the screen saver to [Windows XP]. Screen savers that use 3-D images or other complex images increase the CPU utilization rate.
 - Use recommended RAM module products. Non-recommended RAM modules may not operate properly, and may cause damage to your computer.
- **Windows 7**
Click  on the notification area and click . Then select [Panasonic Power management (Better Heat Dispersion)]
 - When changing to [Panasonic Power management (Better Heat Dispersion)], the following settings will change.
 - Change to [High Speed] from [Standard] in [Fan control mode].
Rotation of the cooling fan will become faster and the computer can be cooled down. Note that the battery operating time will be shorter.
 - Switch the screen saver to [Prohibited].
 - When you do not frequently use CPU or the rotation noise of the fan bothers you, set [Standard] or [Low Speed] in [Fan control mode].
 - ① Click  on the notification area and click .
 - ② Select [Standard] or [Low Speed] in [Fan control mode].

→  *Reference Manual* "Customizing the Power Setting"

● **Windows XP**

- Double-click  on the desktop and click [High speed], then click [OK].
- When you set [High speed], rotation of the cooling fan speeds up and the computer can be cooled down. Note that the battery operating time will be shorter.
 - When you do not frequently use CPU or the rotation noise of the fan bothers you, set [Standard] or [Low speed] as necessary.

■ When using peripheral devices

Follow these instructions and the Reference Manual to avoid any damage to the devices. Carefully read the instruction manuals of the peripheral devices.

- Use the peripheral devices conforming to the computer's specifications.
- Connect to the connectors in the correct direction.
- If it is hard to insert, do not try forcibly but check the connector's shape, direction, alignment of pins, etc.
- If screws are included, fasten them securely.

■ Preventing your computer from unauthorized use via wireless LAN/wireless WAN/Bluetooth

<Only for model with wireless LAN/wireless WAN/Bluetooth>

- Before using wireless LAN/wireless WAN/Bluetooth, make the appropriate security settings such as data encryption.

Maintenance

To clean the LCD panel and touch pad

Wipe lightly with a gauze or other dry, soft cloth.

To clean areas other than the LCD panel and touch pad

Wet a soft cloth with water or a diluted kitchen cleanser (neutral), wring the cloth out thoroughly, and wipe the dirty area gently. Using a detergent other than a neutral kitchen cleanser (e.g., a weak alkali cleanser) may adversely affect painted surfaces.

CAUTION

- Do not use benzene, thinner, or rubbing alcohol since it may adversely affect the surface causing discoloration, etc. Do not use commercially-available household cleaners and cosmetics, as they may contain components harmful to the surface.
- Do not apply water or detergent directly to the computer, since liquid may enter inside of the computer and cause malfunction or damage.


When Using the Computer with a Reduced Screen Resolution

When setting the screen resolution to a resolution below the LCD's resolution, the images appearing on the screen will be stretched. As a result, the characters displayed may appear blurred. This is normal, and not indicative of a malfunction.

To display large characters with no blurring

Try the following steps while keeping the LCD in its resolution.

● **Windows 7**

Click  (Start) - [Control Panel] - [Appearance and Personalization] - [Display], select except for [Smaller - 100%] and then click [Apply].

(This function will be enabled after log off the computer.)

- To display enlarged font sizes in applications such as Internet Explorer:
Use the display enlargement function provided by the specific software application.
- To display enlarged desktop icons, title bar and cursor or magnify the specific part of the screen:
Use "Icon Enlarger" or "Loupe Utility".

If You Spill Water on the Keyboard

Note that repairs resulting from liquids being spilled on the computer are not free of charge, and not covered by warranty.

The keyboard on this computer incorporate a drain system (a moisture protection mechanism) that minimizes the amount of liquid reaching the inside of the computer even if water is spilled on the keyboard. Any water that comes in contact with the keyboard is drained off through holes in the bottom of the computer, so that virtually no water is left inside the computer. However, this is not a guarantee against damage to the hard disk or other internal parts, or against the loss or deletion of data.

The drain system is incorporated into only the keyboard. It does not apply to any other components.

- If you spill water or any other liquid on the keyboard, even a small amount, be sure to perform the following steps. Failure to perform these steps may result in damage to the computer. The drain system will not provide complete protection against water entering the computer.

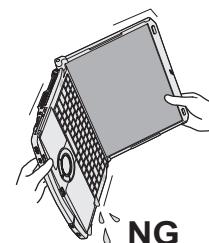
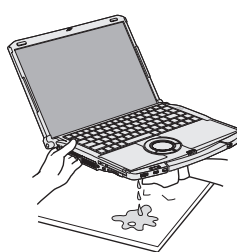
1 Immediately turn off the computer, and remove the AC adaptor.

2 Wipe any water droplets off of the top of the keyboard using a soft, dry cloth.



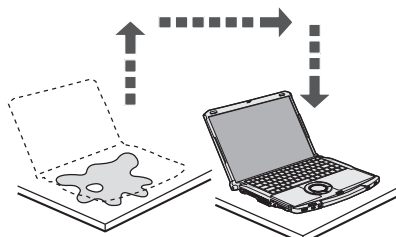
3 Slowly lift up the computer, keeping it level, and wipe any water coming out of the holes on the bottom using a soft, dry cloth.

If the computer is tilted during this step, liquid may seep inside the computer resulting in damage.



4 Keeping the computer level, move the computer to a dry place.

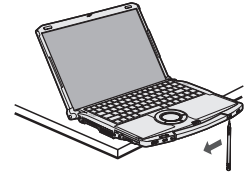
If the computer is placed back on the wet surface, water may seep inside the computer from the bottom.



Handling and Maintenance

- 5 Insert the tip of a ball-point pen or other object into the emergency hole on the bottom of the computer, and move it in the direction of the arrow to open the disc cover.**

The computer should be kept level, without tilting, while the disc cover is being opened. Move the computer to the edge of the desk or table to perform this operation.



- 6 Check to see whether there is any water inside the CD/DVD drive.**

If there is water inside, wipe it using a soft, dry cloth.

- 7 Remove the battery pack.**

- 8 Be sure to contact your technical support office to have the computer checked for any malfunctions.**

Reinstalling Software

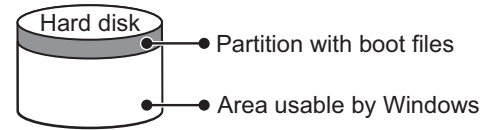
Reinstalling software will return the computer to the default condition. When you reinstall the software, the hard disk data will be erased.

Back up important data to other media or an external hard disk before reinstallation.

CAUTION

Windows 7

Do not delete the partition with boot files on the hard disk.
The disk space in the partition is not available to store data.



Preparation

- Prepare the Product Recovery DVD-ROM (included).
- Remove all peripherals.
- Connect the AC adaptor and do not remove it until installation is complete.

NOTE

- Even if reinstallation is performed, the number of times of DVD's region code setting will not be reset.
<For MUI OS model>
- For German, Swiss German, Romanian, Polish, Czech, Hungarian, and Slovenian keyboards, press Z when you need to press Y.
- For Turkish keyboard, press D when you need to press Y.

1 Turn on the computer, and press F2 or Del while [Panasonic] boot screen is displayed.

The Setup Utility starts up.

- If the password is requested, enter the Supervisor Password.

2 Write down all of the contents of the Setup Utility and press F9.

At the confirmation message, select [Yes] and press Enter.

3 Select the [Main] menu, then select [Optical Drive Power] and press Enter.

4 Select [On] and press Enter.

5 Press F10.

At the confirmation message, select [Yes] and press Enter.

The computer will restart.

6 Press F2 or Del while [Panasonic] boot screen is displayed.

The Setup Utility starts up.

- If the password is requested, enter the Supervisor Password.

7 Set the Product Recovery DVD-ROM for Windows which you install into the CD/DVD drive.

8 Select the [Exit] menu, then select [MATSHITA XXXXX] in [Boot Override].

9 Press Enter.

The computer will restart.

Windows 7

10 Click [Reinstall Windows] and click [Next].

The License Agreement screen appears.

11 Click [Yes, I agree to the provisions above and wish to continue!] and click [Next].

12 When reinstalling Windows 7 into hard disk installed from Windows 7:

Select the settings and click [Next].

- [Reinstall Windows to the whole Hard Disk to factory default.].

You will have two partitions.

- [Reinstall to the first 2 partitions.]*1.

Select this option when the hard disk has already been divided into several partitions. For how to create a new partition, refer to "To change the partition structure" (→ page 16).

You can keep the partition structure.

*1 This does not appear if Windows cannot be reinstalled to the partition containing boot files and the area usable by Windows.

When reinstalling Windows 7 into hard disk installed from Windows XP:

Click [Next].

Reinstalling Software

13 At the confirmation message, click [YES].

Reinstallation starts automatically. (It will take approximately 30 - 80 minutes.)

- Do not interrupt reinstallation, for example by turning off the computer. Otherwise reinstallation may become unavailable as Windows may not start up or the data may be corrupted.
- According to the instruction on the screen, switch Product Recovery DVD-ROM.

14 Remove the Product Recovery DVD-ROM, and then click [OK] to turn off the computer.

15 Turn on the computer.

- If the password is requested, enter the Supervisor Password.

16 Perform the “First-time Operation” (→ page 13).

17 Start the Setup Utility and change the settings as necessary.

18 Perform Windows Update.

Windows XP

10 Press 1 to execute [1. [Recovery]].

The License Agreement screen appears.

- To cancel partway, press 0.

11 Press 1 to select [1. Yes, I agree to the provisions above and wish to continue!].

12 Select the settings.

When installing Windows XP into hard disk installed from Windows 7, select 1 or 2.

Do not select [3]: This option is only available when using Windows XP.

If you select [3]: an error may occur during the installation.

13 At the confirmation message, press Y.

Reinstallation starts automatically. (It will take approximately 30 - 60 minutes.)

- Do not interrupt reinstallation, for example by turning off the computer or pressing **Ctrl + Alt + Del**. Otherwise reinstallation may become unavailable as Windows may not start up or the data may be corrupted.

14 Remove the Product Recovery DVD-ROM, and then click [OK] to turn off the computer.

- If additional instructions are included with the computer, be sure to read them. It may be necessary to perform additional operations during the following procedure.


15 Turn on the computer.

- If the password is requested, enter the Supervisor Password.

16 Perform the “First-time Operation” (→ page 13).

17 Start the Setup Utility and change the settings as necessary.

Troubleshooting (Basic)

Follow the instructions below when a problem has occurred. There is also an advanced troubleshooting guide in the "Reference Manual". For a software problem, refer to the software's instruction manual. If the problem persists, contact your technical support office. You can also check the computer's status in the PC Information Viewer (→  Reference Manual "Check the Computer's Usage Status").

■ Starting Up and Sleep/Standby and Hibernation Mode

<p>The computer does not power on/ The power indicator or battery indicator is not lit.</p>	<ul style="list-style-type: none"> ● Connect the AC adaptor. ● Insert a fully charged battery. ● Remove the battery pack and the AC adaptor, then connect them again. ● If an additional RAM module has been inserted, remove the RAM module and check to see if the RAM module is the recommended one. ● When the CPU temperature is high, the computer may not start up to prevent overheating of the CPU. Wait until the computer cools down, and then turn the power on again. If the computer does not power on even after cooling down, contact your technical support office.
<p>Windows does not start up.</p>	<ul style="list-style-type: none"> ● Remove all peripheral devices (e.g. USB memory). ● If an additional RAM module has been inserted, remove the RAM module and check to see if the RAM module is the recommended one. ● If the power indicator is lit, slide the power switch for four seconds or longer to turn off, then turn on again. ● Using the following procedure, start up in Safe Mode, and check the error details. <ol style="list-style-type: none"> ① Turn on the computer, and when the [Panasonic] boot screen disappears (after entering the password*¹ if one is set) hold down F8. ② Release your finger when [Windows Advanced Options Menu] is displayed, and with ↑ or ↓, select [Safe Mode], then press Enter. Follow the on-screen instructions. <p>*¹ Supervisor Password or User Password set with the Setup Utility</p> <ul style="list-style-type: none"> ● Press F9 in the Setup Utility to return the Setup Utility settings (excluding the passwords) to the default values. Start the Setup Utility and make the settings again.
<p>After adding or changing the RAM module, the power is turned on but nothing is displayed on the screen.</p>	<ul style="list-style-type: none"> ● Turn off the computer and remove the RAM module, then confirm whether the RAM module has compliant to specification. When the RAM module has conformed to specification, install it again.
<p>Cannot boot from internal CD/DVD drive.</p>	<ul style="list-style-type: none"> ● Make sure that the bootable CD/DVD is set properly. ● Start the Setup Utility, and confirm the following settings. <ul style="list-style-type: none"> • [Optical Drive] is set to [Enabled] in the [Advanced] menu. • [Optical Drive Power] is set to [On] in the [Main] menu. • [Boot Option #1] is set to [CD/DVD Drive] in the [Boot] menu. ● When an external CD/DVD drive is connected, you cannot boot from the internal CD/DVD drive.
<p>You have forgotten the password.</p>	<ul style="list-style-type: none"> ● Supervisor Password or User Password: Contact your technical support office. ● Administrator password: <ul style="list-style-type: none"> Windows 7 <ul style="list-style-type: none"> • If you have another account with Administrator authority, log-on with it, then delete the password for the problem account. • If you have a password reset disk, click [Reset password] displayed after the password input error, then follow the on-screen instructions to set a new password. Windows XP <ul style="list-style-type: none"> • If you have a password reset disk, you can reset the administrator password. Set the disk and enter any wrong password, then follow the on-screen instructions and set a new password. • If you cannot do either of the above, you will need to reinstall (→ page 23) and setup Windows.
<p>"Remove disks or other media. Press any key to restart" or a similar message appears.</p>	<ul style="list-style-type: none"> ● A floppy disk is in the floppy disk drive and it does not contain system startup information. Remove the floppy disk and press any key. ● This message may appear with some devices connected to the USB port. Remove the device or set [Legacy USB Support] to [Disabled] in the [Advanced] menu of the Setup Utility. ● If the problem persists after removing the disk, it may be a hard disk failure. Perform the reinstallation and return the hard disk to its condition at the time of purchase. (→ page 23) If the problem persists even after the reinstallation, contact your technical support office.
<p>[Executing Battery Recalibration] screen appears.</p>	<ul style="list-style-type: none"> ● The Battery Recalibration was canceled before Windows was shut down last time. To start up Windows, turn off the computer by the power switch, and then turn on.

Troubleshooting (Basic)

■ Starting Up and Sleep/Standby and Hibernation Mode

<p>The computer will not automatically enter Windows 7 sleep/ Windows XP standby or hibernation.</p>	<ul style="list-style-type: none"> ● If you connect to a network using wireless LAN function, perform access point settings. (→ Reference Manual “Wireless LAN”) ● If you do not use wireless LAN function, turn off wireless LAN function. (→ Reference Manual “Disabling/Enabling Wireless Communication”) ● Make sure that you are not using any software that regularly accesses the hard disk.
<p>[Enter Password] does not appear when resuming from Windows 7 sleep / Windows XP standby hibernation.</p>	<ul style="list-style-type: none"> ● Select [Enabled] in [Password On Resume] in the [Security] menu of the Setup Utility (→ Reference Manual “Setup Utility”). ● The Windows password can be used instead of the password set in the Setup Utility. <ul style="list-style-type: none"> Windows 7 <ol style="list-style-type: none"> ① Click (Start) - [Control Panel] - [User Accounts and Family Safety] - [Add or remove user accounts] and select the account, and set the password. ② Click (Start) - [Control Panel] - [System and Security] - [Power Options] - [Require a password on wakeup] and a check mark for [Require a password]. Windows XP <ol style="list-style-type: none"> ① Click [start] - [Control Panel] - [User Accounts] and select the account, and set the password. ② Click [start] - [Control Panel] - [Performance and Maintenance] - [Power Option] - [Advanced] and a check mark for [Prompt for password when computer resumes from standby].
<p>When logging on (e.g., resuming the computer), audio is distorted.</p>	<ul style="list-style-type: none"> ● Perform the following steps to change the audio settings to prevent audio output. <ul style="list-style-type: none"> Windows 7 <ol style="list-style-type: none"> ① Right-click the desktop and click [Personalize] - [Sounds]. ② Remove the check mark from [Play Windows Startup sound], and click [OK]. Windows XP <ol style="list-style-type: none"> ① Click [start] - [Control Panel] - [Sounds, Speech, and Audio Devices] - [Sounds and Audio Devices], and click [Sounds]. ② Set [Windows Logon] and [Windows Logoff] to [(None)].
<p>Cannot resume.</p>	<ul style="list-style-type: none"> ● One of the following operations may have been carried out. <ul style="list-style-type: none"> • In Windows 7 sleep/ Windows XP standby mode, the AC adaptor or battery pack was disconnected, or a peripheral was connected or disconnected. • The power switch was slid for four seconds or longer to forcibly turn off the computer. Slide the power switch to turn on the computer. Data not saved will be lost.
<p>Other startup problems.</p>	<ul style="list-style-type: none"> ● Check to see if there was a disk error. <ol style="list-style-type: none"> ① Remove all peripheral devices including an external display. ② Windows 7 Click (Start) - [Computer] and right-click [Local Disk (C:)], and click [Properties]. ③ Windows XP Click [start] - [My Computer] and right-click [Local Disk (C:)], and click [Properties]. ④ Click [Tools] - [Check Now...]. <ul style="list-style-type: none"> • A standard user needs to enter an administrator password. ⑤ Windows 7 Click [Schedule disk check] and restart the computer. ● Start the computer in Safe Mode and check the error details. (→ page 25 “Windows does not start up”.)

■ Shutting Down

<p>Windows does not shut down.</p>	<ul style="list-style-type: none"> ● Remove all peripheral devices. ● Wait one or two minutes. It is not a malfunction.
------------------------------------	---

■ Password

<p>Even after entering the password, a message appears requesting to type it again.</p>	<ul style="list-style-type: none"> ● If lights up, press NumLk to disable the ten-key mode, and then input. ● If lights up, press Caps Lock to disable the Caps Lock mode, and then input.
---	--

■ Password

<p>Windows 7 Cannot log on to Windows. ("The user name or password is incorrect." is displayed.)</p>	<ul style="list-style-type: none"> The user name (account name) includes an "@" mark. If another user account exists: Log on to Windows using another user account, and delete the account that includes "@". Then create a new account. If no other account exists: You need to reinstall Windows (→ page 23).
---	---

■ Display

<p>When the screen becomes black for a moment.</p>	<p>Windows 7</p> <ul style="list-style-type: none"> When you set [Intel(R) video driver power saving function] - [Intel(R) Display Power Saving Technology] of Power Plan Extension Utility to [Enabled], if you do the following operations, the screen becomes black for a moment, but this is not a malfunction. You can use it. <ul style="list-style-type: none"> Adjust the brightness of the screen with Fn + F1 / Fn + F2. Remove and insert the AC adaptor. <p>While you are using motion video playback software, benchmark software for graphic, if error screen is displayed or application software does not function normally, set [Intel(R) video driver power saving function] - [Intel(R) Display Power Saving Technology] to [Disabled].</p> <p>Windows XP</p> <ul style="list-style-type: none"> When you set [Intel video driver power saving function (Intel(R) Display Power Saving Technology)] of Power Saving Utility to [Enable], if you do the following operations, the screen becomes black for a moment, but this is not a malfunction. You can use it. <ul style="list-style-type: none"> Adjust the brightness of the screen with Fn + F1 / Fn + F2. Remove and insert the AC adaptor. <p>While you are using motion video playback software, benchmark software for graphic, if error screen is displayed or application software does not function normally, set [Intel video driver power saving function (Intel(R) Display Power Saving Technology)] to [Disable].</p>
<p>No display.</p>	<ul style="list-style-type: none"> The external display is selected. Press Fn + F3 (or Windows 7 Fn + P) to switch the display. Wait until the display has been switched completely before pressing Fn + F3 (or Windows 7 Fn + P) again. The display is turned off by the power-saving function. To resume, do not press the direct selection keys, but press any other key like Ctrl. The computer entered Windows 7 sleep/ Windows XP standby or hibernation by the power-saving function. To resume, slide the power switch. The screen may become darker. Press Fn + F2 to make the screen brighter.
<p>The screen is disordered.</p>	<ul style="list-style-type: none"> Changing the number of display colors and resolution may affect the screen. Restart the computer. The refresh rate of the internal LCD may be 40 hertz. Change the refresh rate of the internal LCD. <ol style="list-style-type: none"> Right-click on the desktop, and click [Graphics Properties]. Click [General Settings]. If [Refresh Rate] of the Notebook is [40 Hz], change to [60 Hz] and click [OK].
<p>The external display does not work normally.</p>	<ul style="list-style-type: none"> If the external display does not support the power saving function, it may not work normally when the computer enters the power saving mode. Turn off the external display.

■ Battery

<p>The battery indicator is lights red.</p>	<ul style="list-style-type: none"> The battery level is very low (the charge is approx. 9% or less). Connect the AC adaptor. You can use the computer when the indicator light is orange. If you do not have an AC adaptor, save your data and power off your computer. After replacing the battery pack with a fully charged one, turn your computer on again.
<p>The battery indicator is blinking.</p>	<ul style="list-style-type: none"> If blinking red: Quickly save your data and power off your computer. Remove the battery pack and disconnect the AC adaptor, then connect them again. If the problem persists, contact your technical support office. The battery pack or charging circuit may be defective. If blinking orange: <ul style="list-style-type: none"> Battery cannot be recharged temporarily because the internal temperature of the battery pack is outside the acceptable temperature range for recharging. Your computer can be used normally in this state. Once the range requirement is satisfied, charging begins automatically. Software applications and peripheral devices (USB devices, etc.) are consuming too much power. Exit the software applications currently running, and remove all peripherals. Once the range requirement is satisfied, charging begins automatically.

Troubleshooting (Basic)

■ Battery

The battery indicator is flashing.	<ul style="list-style-type: none"> The battery is recharging. If [Battery Charging Indicator] in [Main] menu of the Setup Utility is set to [Flashing], the indicator will alternately become lighter and darker.
------------------------------------	--

■ Touch Pad

The cursor does not work.	<ul style="list-style-type: none"> When using the external mouse, connect it correctly. Restart the computer by using the keyboard. <ul style="list-style-type: none"> Windows 7 Press ⊞ and press → two times, and press ↑ to select [Restart] and press Enter. Windows XP Press ⊞, U, and R to select [Restart]. If the computer does not respond to keyboard commands, read “No response” (→ below).
Cannot input using the touch pad.	<ul style="list-style-type: none"> Set [Touch Pad] to [Enabled] in the [Main] menu of the Setup Utility. The drivers for some mice may disable the touch pad. Check your mouse’s operating instructions.

■ Reference Manual

The Reference Manual is not displayed.	<ul style="list-style-type: none"> Install Adobe Reader. <For localized OS model> <ol style="list-style-type: none"> Log on to Windows as an administrator. Windows 7 Click ⊞ (Start) and input “c:\util\reader\Setup.exe” in [Search programs and files] then press Enter. Windows XP Click [start] - [Run] and input “c:\util\reader\Setup.exe”, then click [OK]. Update Adobe Reader to its latest version. If your computer is connected to the internet, start up Adobe Reader and click [Help] - [Check for Updates...]. <For MUI OS model> (→ page 14)
--	--

■ Others

No response.	<ul style="list-style-type: none"> Press Ctrl+Shift+Esc to open Task Manager and close the software application that is not responding. An input screen (e.g., password input screen at startup) may be hidden behind another window. Press Alt+Tab to check. Slide the power switch for four seconds or longer to shut down the computer, and then slide the power switch to turn it on. If the application program does not work normally, uninstall and reinstall the program. To uninstall, <ul style="list-style-type: none"> Windows 7 click ⊞ (Start) - [Control Panel] - [Programs] - [Uninstall a program]. Windows XP click [start] - [Control Panel] - [Add or Remove Programs].
The computer does not recognize the CD/DVD drive.	<ul style="list-style-type: none"> Restart the computer. After the computer restarts, it may recognize a CD/DVD drive.

LIMITED USE LICENSE AGREEMENT

THE SOFTWARE PROGRAM(S) ("PROGRAMS") FURNISHED WITH THIS PANASONIC PRODUCT ("PRODUCT") ARE LICENSED ONLY TO THE END-USER ("YOU"), AND MAY BE USED BY YOU ONLY IN ACCORDANCE WITH THE LICENSE TERMS DESCRIBED BELOW. YOUR USE OF THE PROGRAMS SHALL BE CONCLUSIVELY DEEMED TO CONSTITUTE YOUR ACCEPTANCE OF THE TERMS OF THIS LICENSE.

Panasonic Corporation has developed or otherwise obtained the Programs and hereby licenses their use to you. You assume sole responsibility for the selection of the Product (including the associated Programs) to achieve your intended results, and for the installation, use and results obtained therefrom.

LICENSE

- A. Panasonic Corporation hereby grants you a personal, non-transferable and non-exclusive right and license to use the Programs in accordance with the terms and conditions stated in this Agreement. You acknowledge that you are receiving only a LIMITED LICENSE TO USE the Programs and related documentation and that you shall obtain no title, ownership nor any other rights in or to the Programs and related documentation nor in or to the algorithms, concepts, designs and ideas represented by or incorporated in the Programs and related documentation, all of which title, ownership and rights shall remain with Panasonic Corporation or its suppliers.
- B. You may use the Programs only on the single Product which was accompanied by the Programs.
- C. You and your employees and agents are required to protect the confidentiality of the Programs. You may not distribute or otherwise make the Programs or related documentation available to any third party, by time-sharing or otherwise, without the prior written consent of Panasonic Corporation.
- D. You may not copy or reproduce, or permit to be copied or reproduced, the Programs or related documentation for any purpose, except that you may make one (1) copy of the Programs for backup purposes only in support of your use of the Programs on the single Product which was accompanied by the Programs. You shall not modify, or attempt to modify, the Programs.
- E. You may transfer the Programs and license them to another party only in connection with your transfer of the single Product which was accompanied by the Programs to such other party. At the time of such a transfer, you must also transfer all copies, whether in printed or machine readable form, of every Program, and the related documentation, to the same party or destroy any such copies not so transferred.
- F. You may not remove any copyright, trademark or other notice or product identification from the Programs and you must reproduce and include any such notice or product identification on any copy of any Program.

YOU MAY NOT REVERSE ASSEMBLE, REVERSE COMPILE, OR MECHANICALLY OR ELECTRONICALLY TRACE THE PROGRAMS, OR ANY COPY THEREOF, IN WHOLE OR IN PART.

YOU MAY NOT USE, COPY, MODIFY, ALTER, OR TRANSFER THE PROGRAMS OR ANY COPY THEREOF, IN WHOLE OR IN PART, EXCEPT AS EXPRESSLY PROVIDED IN THE LICENSE.

IF YOU TRANSFER POSSESSION OF ANY COPY OF ANY PROGRAM TO ANOTHER PARTY, EXCEPT AS PERMITTED IN PARAGRAPH E ABOVE, YOUR LICENSE IS AUTOMATICALLY TERMINATED.


TERM

This license is effective only for so long as you own or lease the Product, unless earlier terminated. You may terminate this license at any time by destroying, at your expense, the Programs and related documentation together with all copies thereof in any form. This license will also terminate effective immediately upon occurrence of the conditions thereof set forth elsewhere in this Agreement, or if you fail to comply with any term or condition contained herein. Upon any such termination, you agree to destroy, at your expense, the Programs and related documentation together with all copies thereof in any form.

YOU ACKNOWLEDGE THAT YOU HAVE READ THIS AGREEMENT, UNDERSTAND IT AND AGREE TO BE BOUND BY ITS TERMS AND CONDITIONS. YOU FURTHER AGREE THAT IT IS THE COMPLETE AND EXCLUSIVE STATEMENT OF THE AGREEMENT BETWEEN US, WHICH SUPERSEDES ANY PROPOSAL OR PRIOR AGREEMENT, ORAL OR WRITTEN, AND ANY OTHER COMMUNICATIONS BETWEEN US, RELATING TO THE SUBJECT MATTER OF THIS AGREEMENT.

Specifications

To check CPU speed, memory size and the hard disk drive (HDD) size:

Start the Setup Utility (→  *Reference Manual* "Setup Utility") and select [Information] menu.
[Processor Speed]: CPU speed, [Memory Size]: Memory size, [Hard Disk]: Hard disk drive size

■ Main Specifications

Model No.		CF-F9KWHZZPE CF-F9KWHZZDE	CF-F9KWHZFPE CF-F9KWHZFDE
CPU		Intel® vPro™ Technology *1 Intel® Core™ i5-520M vPro™ processor (2.40 GHz with Turbo Boost up to 2.93 GHz, Intel® Smart Cache 3 MB*2)	
Chip Set		Mobile Intel® QM57 Express Chipset	
Main Memory*2*3		2 GB, DDR3 SDRAM (4 GB Max.)	
Video Memory*2*4		Windows 7 UMA 763 MB Max. (When Memory is 2 GB) / UMA 1563 MB Max. (When Memory is 4 GB) Windows XP UMA 256 MB Max.	
Video Controller		Intel® HD Graphics (Built-in CPU)	
Hard Disk Drive*5		320 GB Windows 7 Approx. 300 MB is used as a partition with recovery tools. (Users cannot use this partition.)	
CD/DVD Drive		DVD MULTI Drive built-in, Buffer underrun error prevention function: Supported	
Continuous Data Transfer Speed*6*7	Reading*8	●DVD-RAM*10: 5X (Max.) (4.7 GB)*5 ●DVD-R*11: 8X (Max.) ●DVD-RW: 8X (Max.) ●DVD-R DL: 8X (Max.) ●DVD-ROM: 8X (Max.) ●CD-ROM: 24X (Max.) ●CD-R: 24X (Max.) ●CD-RW: 24X (Max.) ●+R: 8X (Max.) ●+R DL: 8X (Max.) ●+RW: 8X (Max.)	
	Writing*9	●DVD-RAM*10: 2X/3X/3-5X (4.7 GB)*5 ●DVD-R: 2X/3.3-4X/3.3-6X/3.3-8X ●DVD-RW: 1X/2X/2-4X/2-6X ●+R: 2.4X/3.3-4X/3.3-6X/3.3-8X ●+RW: 2.4X/2.4-4X ●High Speed +RW: 3.3X/3.3-6X ●CD-R: 8X/8-12X/8-16X/10.8-24X ●CD-RW: 4X ●High-Speed CD- RW: 4X/8X/10X	
Supported Discs/Format*7	Reading	●DVD-ROM (Single Layer, Dual Layer) ●DVD-Video ●DVD-R*11 (1.4 GB, 2.8 GB, 4.7 GB)*5 ●DVD-RW (Ver.1.1/1.2 1.4 GB, 2.8 GB, 4.7 GB, 9.4 GB)*5 ●DVD-R DL (8.5 GB)*5 ●DVD-RAM*10 (1.4 GB, 2.8 GB, 4.7 GB, 9.4 GB)*5 ●+R (4.7 GB)*5 ●+R DL (8.5 GB)*5 ●+RW (4.7 GB)*5 ●CD-Audio ●CD-ROM (XA compatible) ●CD-R ●Photo CD (multiple session compatible) ●Video CD ●CD EXTRA ●CD-RW ●CD-TEXT	
	Writing	●DVD-RAM*10 (1.4 GB, 2.8 GB, 4.7 GB, 9.4 GB)*5 ●DVD-R (1.4 GB, 2.8 GB, 4.7 GB for General)*5 ●DVD-RW (Ver.1.1/1.2 1.4 GB, 2.8 GB, 4.7 GB, 9.4 GB)*5 ●+R (4.7 GB)*5 ●+RW (4.7 GB)*5 ●CD-R ●CD-RW	
Display Method		14.1 WXGA+ type (TFT) (1440 × 900 dots)	
Internal LCD		65,536/16,777,216 colors (1440 × 900 dots)*12	
External Display*13		65,536/16,777,216 colors (800 × 600 dots/1024 × 768 dots/1280 × 768 dots/1280 × 1024 dots/1400 × 1050 dots/1440 × 900 dots/1680 × 1050 dots/1600 × 1200 dots/1920 × 1080 dots/1920 × 1200 dots)	
Simultaneous Display on LCD + External Display*13		65,536/16,777,216 colors (800 × 600 dots/1024 × 768 dots/1280 × 768 dots/1440 × 900 dots)*12	
Wireless LAN		Intel® Centrino® Advanced-N 6200*14 (→ page 31)	
Bluetooth*15		→ page 32	
HSPA		- → <i>Supplementary Instructions for HSPA</i>	
LAN*16		IEEE 802.3 10Base-T, IEEE 802.3u 100Base-TX, IEEE 802.3ab 1000Base-T	
Modem*17		Data: 56 kbps (V.92) FAX: 14.4 kbps	
Sound		WAVE and MIDI playback, Intel® High Definition Audio subsystem support, Stereo Speakers (built in)	
Security Chip		TPM (TCG V1.2 compliant)*18	
Card Slots	PC Card Slot	× 1, Type I or Type II, Allowable current 3.3 V: 400 mA, 5 V: 400 mA	
	SD Memory Card Slot*19	× 1	
RAM Module Slot		× 1, DDR3 SDRAM, 204-pin, 1.5 V, SO-DIMM, PC3-6400 Compliant	

Model No.	CF-F9KWHZZPE CF-F9KWHZZDE	CF-F9KWHZFPE CF-F9KWHZFDE	
Interface	USB Ports × 3 (USB2.0 × 3) ^{*20} / Modem Port (RJ-11) / LAN Port (RJ-45) ^{*16} / External Display Port: Mini Dsub 15-pin female / Microphone Jack ^{*21} : Miniature jack, 3.5 DIA / Headphone Jack: Miniature jack, 3.5 DIA / Port Replicator Connector: Dedicated 78-pin male ^{*22}		
Keyboard/Pointing Device	87 or 88 keys/Touch Pad		
Power Supply	AC adaptor or Battery pack		
AC Adaptor ^{*23}	Input: 100 V - 240 V AC, 50 Hz/60 Hz Output: 16 V DC, 5.0 A		
Battery Pack	Li-ion 10.8 V, 5.8 Ah (typ.), 5.4 Ah (min.)		
Operating Time ^{*24}	Approx. 7 hours (Economy Mode (ECO) - Disable)	Approx. 6 hours (Economy Mode (ECO) - Disable)	
Charging Time ^{*25}	Approx. 3.5 hours (Power off)/Approx. 5 hours (Power on)		
Power Consumption ^{*26}	Approx. 35 W ^{*27} / Approx. 80 W (maximum when non-recharging in the ON state)		
Physical Dimensions (W × D × H)	326 mm × 251 mm × 25.5 mm (at the front)/48.5 mm (at the rear) (excluding protrusion)		
Weight ^{*28}	Approx. 1.62 kg	Approx. 1.63 kg	
Environment	Operation	Temperature	5°C to 35°C
		Humidity	30% to 80% RH (No condensation)
	Storage	Temperature	-20°C to 60°C
		Humidity	30% to 90% RH (No condensation)
OS ^{*29}	Windows 7 Genuine Windows® 7 Professional Windows XP Genuine Microsoft® Windows® XP Professional Service Pack 3		
Pre-installed Software ^{*29}	Adobe Reader ^{*30} / Loupe Utility / Touch Pad Utility / PC Information Viewer / PC Information Popup / Hotkey Settings / Wireless Switch Utility / Intel® Rapid Storage Technology / Bluetooth™ Stack for Windows by TOSHIBA ^{*15} / Battery Recalibration Utility / Intel® PROSet/Wireless Software / WinDVD™ 8 (OEM Version) / Roxio Creator LJB / Optical Disc Drive Letter-Setting Utility / Protector Suite ^{*31} Windows 7 Microsoft® Internet Explorer 8.0 / DirectX 11 ^{*32} / Microsoft® Windows® Media Player 12 / Microsoft® .NET Framework 3.5.1 / Infineon TPM Professional Package V3.6 ^{*33} / Power Plan Extension Utility Windows XP Microsoft® Internet Explorer 6 Service Pack 3 / DirectX 9.0c / Microsoft® Windows® Media Player 10 / Microsoft® Windows® Movie Maker 2.1 / Microsoft® .NET Framework 3.5 SP1 / Icon Enlarger / Power Saving Utility / FAN Control Utility / Wireless Connection Disable Utility ^{*34} / Economy Mode (ECO) Setting Utility / Infineon TPM Professional Package V3.5SP1 ^{*33} / Optical Disc Drive Power-Saving Utility Aptio Setup Utility / Hard Disk Data Erase Utility ^{*35} / PC-Diagnostic Utility		

■ **Wireless LAN <Only for model with wireless LAN>**

Data Transfer Rates	IEEE802.11a : 54/48/36/24/18/12/9/6 Mbps (automatically switched) ^{*36} IEEE802.11b : 11/5.5/2/1 Mbps (automatically switched) ^{*36} IEEE802.11g : 54/48/36/24/18/12/9/6 Mbps (automatically switched) ^{*36} IEEE802.11n : (HT20) GI = 400 ns:144/130/115/86/72/65/57/43/39/28/21/14/7 GI = 800ns:130/117/104/78/65/58/52/39/26/19/13/6 Mbps (automatically switched) ^{*36} (HT40) GI = 400ns:300/270/240/180/150/135/120/90/60/30/15 GI = 800ns:270/243/216/162/135/121/108/81/54/40/27/13 Mbps (automatically switched) ^{*36}
Standard Supported	IEEE802.11a / IEEE802.11b / IEEE802.11g / IEEE802.11n
Transmission Method	OFDM system, DS-SS system
Wireless Channels Used	IEEE802.11a : Channels 36/40/44/48/52/56/60/64/100/104/108/112/116/120/124/128/132/136/140 IEEE802.11b/IEEE802.11g : Channels 1 to 13 IEEE802.11n : Channels 1-13/36/40/44/48/52/56/60/64/100/104/108/112/116/120/124/128/132/136/140
RF Frequency Band	IEEE802.11a : 5.18 GHz - 5.32 GHz, 5.5 GHz - 5.7 GHz IEEE802.11b/IEEE802.11g : 2.412 GHz - 2.472 GHz IEEE802.11n : 2.412 GHz - 2.472 GHz, 5.18 GHz - 5.32 GHz, 5.5 GHz - 5.7 GHz

Specifications

■ Bluetooth™ <Only for model with Bluetooth>

Bluetooth Version	2.1 + EDR
Transmission Method	FHSS system
Wireless Channels Used	Channels 1 to 79
RF Frequency Band	2.402 GHz - 2.48 GHz

*1 The Intel® Active Management Technology (Intel® AMT) function must be set before use.

*2 1 MB = 1,048,576 bytes / 1 GB = 1,073,741,824 bytes

*3 You can physically expand the memory up to 4 GB, but the total amount of usable memory available will be less depending on the actual system configuration.

*4 A segment of the main memory is allotted automatically depending on the computer's operating status. The size of the Video Memory cannot be set by the user. The size of Video memory is allotted depending on the operating system.

*5 1 GB = 1,000,000,000 bytes. Your operating system or some application software will report as fewer GB.

*6 Data transfer speeds indicate values measured by Panasonic Corporation. The data transfer rate of DVD per 1X speed is 1,350 KB/s. The data transfer rate of CD per 1X speed is 150 KB/s.

*7 Performance of CD-R, CD-RW, DVD-RAM, DVD-R, DVD-R DL, DVD-RW, +R, +R DL, and +RW cannot be guaranteed depending on writing status and recording format. Also, some data cannot be played back depending on the disc, settings, and environment being used. Does not support writing to DVD-R DL/+R DL (dual layer discs) and Ultra-Speed CD-RW. Does not support 2.6 GB DVD-RAM.

*8 If an unbalanced disc (e.g., a disc with which the balance has been displaced from the center) is inserted, the speed may become slower if there are large vibrations while the disc is rotating.

*9 Depending on the disc, the writing speed may become slower.

*10 Only non-cartridge type or removable cartridge type can be used.

*11 DVD-R is compatible with 4.7 GB (for General) playback. DVD-R (for Authoring) playback is compatible with discs recorded using Disc-at-Once recording.

*12 A 16,777,216 color display is achieved by using the dithering function.

*13 Display may be impossible using some connected external displays.


*14 Only for model with wireless LAN.

*15 Only for model with Bluetooth.

*16 Some devices cannot be used depending on the port type.

*17 Only for model with modem.

*18 Only for model that supports TPM.

Windows 7 For information on TPM, click  (Start) and input "c:\util\drivers\tpm\README.pdf" in [Search programs and files] and press **Enter**, and refer to the Installation Manual of "Trusted Platform Module (TPM)".

Windows XP For information on TPM, click [start] - [Run] and input "c:\util\drivers\tpm\README.pdf", and refer to the Installation Manual of "Trusted Platform Module (TPM)".

*19 This slot is not compatible with the UHS-I high speed transfer. Operation has been tested and confirmed using Panasonic SD Memory Card with a capacity of up to 2 GB, Panasonic SDHC Memory Card with a capacity of up to 32 GB, and **Windows 7** Panasonic SDXC Memory Card with a capacity of up to 64 GB. Operation on other SD equipment is not guaranteed.

*20 Does not guarantee operation of all USB-compatible peripherals.

*21 Use a condenser-stereo microphone.

*22 Port Replicator(optional): CF-VEBU08U and CF-VEBF81W can be used.

*23 <Only for North America>

The AC adaptor is compatible with power sources up to 240 V AC adaptor. This computer is supplied with a 125 V AC compatible AC cord.

20-M-1-1

*24 Measured using MobileMark™ 2007 (LCD brightness : 60 cd/m²).

Varies depending on the usage conditions, or when an optional device is attached.

When Economy Mode (ECO) is enabled, the operating time becomes approximately 20% shorter than when it is disabled.

*25 When Economy Mode (ECO) is enabled, the charging time becomes approx. 5.0 hours (Power on/off). Varies depending on the usage conditions, CPU speed, etc. It may take a long time to charge a fully discharged battery.

*26 Approx. 0.9 W when the battery pack is fully charged (or not being charged) and the computer is off.

<When using with 230 V AC>

Even when the AC adaptor is not connected to the computer, power is consumed (Max. 0.4 W) simply by having the AC adaptor plugged into an AC outlet.

*27 Rated power consumption.

23-E-1

*28 Average value. May differ depending on models.

*29 Operations of this computer are not guaranteed except for the pre-installed OS and the installed OS by using the Product Recovery DVD-ROM (included).

Some parts of the software in the Product Recovery DVD-ROM may not be installed depending on a model.

*30 <Only for MUI OS model>

Must be installed before use.

*31 Only for model with fingerprint reader.

Must be installed before use.

*32 The graphics accelerator of this computer supports up to DirectX 10.

*33 Only for model that supports TPM.

Must be installed before use.

*34 Must be installed before use.

*35 The Product Recovery DVD-ROM is required.

*36 These are speeds specified in IEEE802.11a+b+g+n standards. Actual speeds may differ.

Standard Limited Warranty

PANASONIC COMPUTER PRODUCTS EUROPE

Panasonic Computer Products Europe (referred to as "Panasonic") will repair this product (other than software, which is treated in a different section of this warranty) with new or refurbished parts, from the date of original purchase in the event of a defect in materials or workmanship. This warranty only applies to new Panasonic Toughbooks purchased in the EEA and Switzerland and Turkey. Panasonic (or its authorised Service Provider) target to repair your equipment within 48 hours from its receipt in our service centre. Additional charges may apply for shipment to countries outside of the European Union. Panasonic will use all reasonable endeavours to ensure this service.

This warranty only covers failures due to defects in materials or workmanship which occur during normal use for the applicable Service Agreement Period listed below. In the event that any product (or part thereof) is replaced, Panasonic shall transfer ownership of the replacement product (or part) to the customer and the customer shall transfer ownership of the replaced product (or part) to Panasonic.

Service Agreement Period - from original date of purchase

- Toughbooks (and every accessory included in the original packaging except the battery) - 3 years
- Accessories included in the original package - 3 years
- Additional peripherals manufactured by Panasonic (including media bay devices such as CD-Rom drives) - 1 year
- Batteries - 6 months. Panasonic Warranty covers the battery for six months. A battery is considered good if it maintains 50% of its charge capacity during the warranty period. If a battery is returned under this contract and testing determines that it has charge capacity greater than 50%, the battery will be returned with an invoice for the retail purchase price of a new battery.

This warranty is extended solely to the original purchaser. A purchase receipt or other proof of date of original purchase will be required before warranty performance is rendered.

Limits and Exclusions:

This warranty does not cover and shall be void for:

- Broken or cracked LCD screen.
- Defective pixel in notebook displays and LCD screens within 0.002%
- Damage that is attributable to fire, theft or acts of God.
- Damage caused by environmental influences (electrical storms, magnetic fields etc.).
- Damage which has not been caused during normal operation
- Repair of damage that is cosmetic only or does not affect product functionality such as wear and tear, scratches and dents.
- Failures caused by products not supplied by Panasonic.
- Failures resulting from alteration, accidental damage, casualty, misuse, abuse or neglect.
- Introduction of liquid or other foreign matter into the unit.
- Improper installation, operation or maintenance.
- Improper connections with peripherals.
- Maladjustment of consumer controls such as function settings.
- Modification or service by anyone other than Panasonic or its approved Service Providers.
- Products used as short term rental or leased equipment.
- Products whose serial number has been removed making the unit warranty condition impossible to clearly determine.

THIS PRODUCT IS NOT INTENDED FOR USE AS, OR AS PART OF, NUCLEAR EQUIPMENT/SYSTEMS, AIR TRAFFIC CONTROL EQUIPMENT/SYSTEMS, OR AIRCRAFT COCKPIT EQUIPMENT/SYSTEMS*¹. PANASONIC WILL NOT BE RESPONSIBLE FOR ANY LIABILITY RESULTING FROM THE USE OF THIS PRODUCT ARISING OUT OF THE FOREGOING USES.

*¹ AIRCRAFT COCKPIT EQUIPMENT/SYSTEMS include Class2 Electrical Flight Bag (EFB) Systems and Class1 EFB Systems when used during critical phases of flight (e.g., during take-off and landing) and/or mounted on to the aircraft. Class1 EFB Systems and 2 EFB Systems are defined by FAA: AC (Advisory Circular) 120-76A or JAA: JAA TGL (Temporary Guidance Leaflets) No.36

There are no other express warranties except as listed above.

We strongly recommend that customers backup their data before sending back their unit to an Authorised Service Provider.

Panasonic shall not be liable for loss of data or other incidental or consequential damages resulting from the use of this product, or arising out of any breach of this warranty. All express and implied warranties, including the warranties of satisfactory quality and fitness for a particular purpose are limited to the applicable warranty period set forth above. Panasonic shall not be liable for any indirect, special or consequential loss or damage (including without limitation any loss of profits) arising from the use of this product or for any breach of this warranty.

This limited warranty gives you specific legal rights, and you may have other rights that vary from country to country. You must consult the applicable country laws for a full determination of your rights. This limited warranty is in addition to, and does not affect any rights arising out of any contract of sale or by statute.

Standard Limited Warranty

PANASONIC COMPUTER PRODUCTS EUROPE

Data Storage Media

Data Storage Media is the media on which the Operating System, drivers and programs originally installed by Panasonic on the main unit are stored. This media is originally provided with the unit.

Panasonic warrants to you only that the disc(s) or other media on which the Programs are furnished will be free from defects in material and workmanship under normal use for a period of sixty (60) days from the date of delivery thereof to you, as evidenced by your purchase receipt.

This is the only warranty Panasonic makes to you. Panasonic does not warrant that the functions contained in the Programs will meet your requirements or that the operation of the Programs will be uninterrupted or error free.

Panasonic's entire liability and your exclusive remedy under this warranty shall be limited to the replacement of any defective disk or other media which is returned to Panasonic's authorized Service Centre, together with a copy of the purchase receipt, within the aforesaid warranty period.

Panasonic shall have no obligation for any defects in the disk(s) or other media on which the Programs are furnished resulting from your storage thereof, or for defects that have been caused by operation of the disk(s) or other media otherwise than on the Product or in the environment conditions other than those specified by Panasonic by alteration, accident, misuse, abuse, neglect, mishandling, misapplication, installation, maladjustment of consumer controls, improper maintenance, modification or damage that is attributable to acts of God. In addition, Panasonic shall have no obligation for any defects in the disk(s) or other media if you have modified, or attempted to modify any Program.

Duration of implied warranties, if any is limited to sixty (60) days.

Pre-installed software

Pre-installed software means the software shipped pre-loaded by Panasonic, not that loaded by any third party or selling agent.

Panasonic and its suppliers makes no warranty, either express, implied or statutory, with respect to software provided with the Product and licensed to Purchaser, its quality, performance, merchantability, or fitness for a particular purpose. Panasonic does not warrant that the functions contained in the software will be uninterrupted or error free. Panasonic assumes no risk of and shall not in any case be liable for any damages, including, without limitation, any special, incidental, consequential, or punitive damages arising from breach of warranty or contract, negligence or any other legal theory, including, without limitation loss of goodwill, profits or revenue, loss of use of the Programs or Products or any associated equipment, cost of capital, cost of any substitute equipment, facilities, or services, downtime costs, or claims of any party dealing with such damages.

Some countries do not allow the exclusion or limitation of incidental or consequential damages, or limitations on how long an implied warranty lasts, so the above limitations or exclusions may not apply to you.

This limited warranty gives you specific legal rights and you may also have other rights that vary from country to country. You must consult applicable country laws for a full determination of your rights.

Contacts

Address

Panasonic Computer Products Europe
Service Centre Building B4,
Wyncliffe Road, Pentwyn Industrial Estate, Cardiff,
United Kingdom
CF23 7XB

Web page

<http://www.toughbook.eu/>

Helpdesk

English speaking service
French speaking service
German speaking service
Italian speaking service
Spanish speaking service
E-mail address

+44 (0) 8709 079 079
+33 (0) 1 55 93 66 60
+49 (0) 1805 410 930
+39 (0) 848 391 999
+34 (0) 901 101 157
toughbooksupport@eu.panasonic.com

Czech speaking service
Hungarian speaking service
Polish speaking service
Romanian speaking service
Slovakian speaking service
E-mail address

+420 (0) 800 143234
+36 (0) 6800 163 67
+48 (0) 800 4911558
+40 (0) 800 894 743
+421 (0) 800 42672627
toughbooksupport@csg.de

Payments

toughbookservicepayments.cardiff@eu.panasonic.com



As an ENERGY STAR® Partner, Panasonic Corporation has determined that this product meets ENERGY STAR® guidelines for energy efficiency. By enabling available power management settings, Panasonic computers enter a low-power sleep mode after a period of inactivity, saving the user energy.

Outline of the International ENERGY STAR® Office Equipment Program

The international ENERGY STAR® Office Equipment Program is an international program that promotes energy saving through the use of computers and other office equipment. The program backs the development and dissemination of products with functions that effectively reduce energy consumption. It is an open system in which business proprietors can participate voluntarily. The targeted products are office equipment such as computers, displays, printers, facsimiles, and copiers. Their standards and logos are uniform among participating nations.

22-E-1

Importer's name & address pursuant to the EU GPSD (General Product Safety Directive) 2001/95/EC Art.5
Panasonic Computer Products Europe, Panasonic Marketing Europe GmbH
Hagenauer Straße 43
65203 Wiesbaden
Germany

© Panasonic Corporation 2010
Printed in U.K.

UK0710-0
CPE02288ZA