

LIFEBOOK S Series



We make sure



Are there ...

... any technical questions or problems?

Please contact:

- our Hotline/Help Desk (refer to the enclosed Help Desk List or go to: ["www.fujitsu-siemens.com/support/"](http://www.fujitsu-siemens.com/support/))
- your sales partner
- your sales office

Additional information is contained in the Help Desk list and the "Warranty" manual. The "Warranty" manual can be found on the supplied "Drivers & Utilities" CD/DVD.

Latest information on our products, tips, updates etc. can be found on our website at: ["www.fujitsu-siemens.com"](http://www.fujitsu-siemens.com/)

This manual was produced by Xerox Global Services

Published by
Fujitsu Siemens Computers GmbH

AG 05/07

Edition 1

Order no.: A26391-K233-Z120-1-7619

LIFEBOOK S Series

EasyGuide

Innovative technology...	1
Important notes	3
Ports and operating elements	4
Removing and installing components during servicing	24
Technical data	28
Index	31

Adobe and Acrobat are trademarks of Adobe Systems Incorporated and may be protected in certain countries.

The Bluetooth trademarks are the property of Bluetooth SIG, Inc., U.S.A. and licensed to Fujitsu Siemens Computers GmbH.

Intel is a registered trademark, Core is a trademark of Intel Corporation, USA.

Kensington and MicroSaver are registered trademarks of ACCO World Corporation.

Macrovision is a trademark of Macrovision Corporation, USA.

Microsoft, MS, MS DOS, Windows, and Windows NT are registered trademarks of Microsoft Corporation.

All other trademarks referenced are trademarks or registered trademarks of their respective owners, whose protected rights are acknowledged.

Copyright © Fujitsu Siemens Computers GmbH 2007

All rights reserved, including rights of translation, reproduction by printing, copying or similar methods, in part or in whole.

In the event of violations, perpetrators will be liable to prosecution for damages.

All rights reserved, including rights created by patent grant or registration of a utility model or design.

Subject to availability and technical modifications.

Contents

Innovative technology...	1
Notational conventions	2
Important notes	3
Ports and operating elements	4
Notebook open	4
Left side	5
Right side	5
Rear	6
Underside	6
Switching on the notebook	7
Switching off the Notebook	8
Status indicators	9
Key combinations	12
Easy Launch keys	14
Configuring Easy Launch keys	14
Camera (optional)	15
Removing and installing the battery	16
Removing the battery	16
Installing battery	17
Removing and installing the air filter	18
Air filter removal	18
Install air filter	19
Module	20
Removing a module	20
Installing a module	21
SIM card	21
Inserting the SIM card	21
Removing a SIM card	22
Radio components: UMTS (optional)/wireless LAN/Bluetooth	23
Switching the radio components on and off	23
Removing and installing components during servicing	24
Notes on installing and removing boards and components	24
Removing and installing memory modules	25
Removing cover	26
Removing memory modules	26
Installing a memory module	27
Attaching the cover	27
Technical data	28
Notebook	28
Battery	29
Mains adapter	30
Index	31

Innovative technology...

and ergonomic design make your LIFEBOOK S Series notebook a user-friendly and reliable notebook.

Your notebook is available in several different versions. Most of the sections in this manual apply to all models – any differences are indicated separately. Some of the illustrations and features in this manual may differ from your model and are for guidance only.

Your operating system (e.g. Microsoft Windows) has already been preinstalled and optimally configured so that you can be up and running from the moment you switch on your notebook for the first time.

Your notebook features the very latest technology so that you get the best performance from your computing experience. Depending on the model, the following components may be included:

- up to 4 GB of main memory (RAM)
- A module bay suitable for housing the following modules: a DVD Super Multi Drive, a second battery, or a blind insert (Weight Saver)
- an integral camera for snapshots and video chat
- USB ports, providing simple expansion options for webcams, game pads, printers and more
- A PC card slot for use with a type II PC card
- a memory card slot for quick transfer of digital photos, music and video clips onto your notebook
- a SIM card slot that can be used to operate a SIM card
- An on-board audio controller and two stereo loudspeakers for true audio enjoyment. It is also possible to connect a microphone and external speakers for even better performance.

For mouse control, the notebook has a touchpad. Briefly touching the touchpad twice is all that is required to open an application, for example.

With the user-friendly *BIOS Setup* you can control the hardware of your notebook and better protect your system against unauthorised access by using the powerful password features.

This Operating Manual tells you how to get your notebook up and running and how to operate it in daily use.





Further information on this notebook can be found in the following documentation:

- In the "Professional Notebook" Operating Manual
- In the "Safety" and "Warranty" manuals
- In the documentation for the operating system
- In information files (e.g. *.TXT, *.DOC, *.WRI, *.HLP, *.PDF)



You can find information on accessories for your Notebook at ["www.fujitsu-siemens.com/accessories"](http://www.fujitsu-siemens.com/accessories).

Notational conventions

	<p>Pay particular attention to text marked with this symbol. Failure to observe this warning will endanger your life, will damage the device or lead to loss of data. The warranty will be invalidated if you cause defects in the device through failure to take notice of this warning</p>
	<p>indicates important information that is required to use the device properly.</p>
	<p>indicates an activity that must be performed in the order shown</p>
	<p>indicates a result</p>
<p>This style</p>	<p>flags data entered using the keyboard in a program dialog or command line, e.g. your password (Name123) or a command to launch a program (start.exe)</p>
<p>This style</p>	<p>refers to information displayed by a program on the screen, e.g.: Installation is completed</p>
<p><i>This style</i></p>	<p>is for</p> <ul style="list-style-type: none"> • terms and texts in a software user interface, e.g.: <i>ClickSave</i>. • names of programs or files, e.g. <i>Windows</i> or <i>setup.exe</i>.
<p>"This style"</p>	<p>is for</p> <ul style="list-style-type: none"> • cross-references to another section, e.g. "Safety information" • Cross-references to an external source, e.g. a web address: For more information, go to "www.fujitsu-siemens.com" • indicates names of CDs and DVDs as well as names and titles of other materials, e.g.: "CD/DVD Drivers & Utilities" or "Safety" manual
<p>Abc</p>	<p>refers to a key on the keyboard, e.g.: F10</p>
<p>This style</p>	<p>flags concepts and text that are emphasised or highlighted, e.g.: Do not switch off device</p>

Important notes

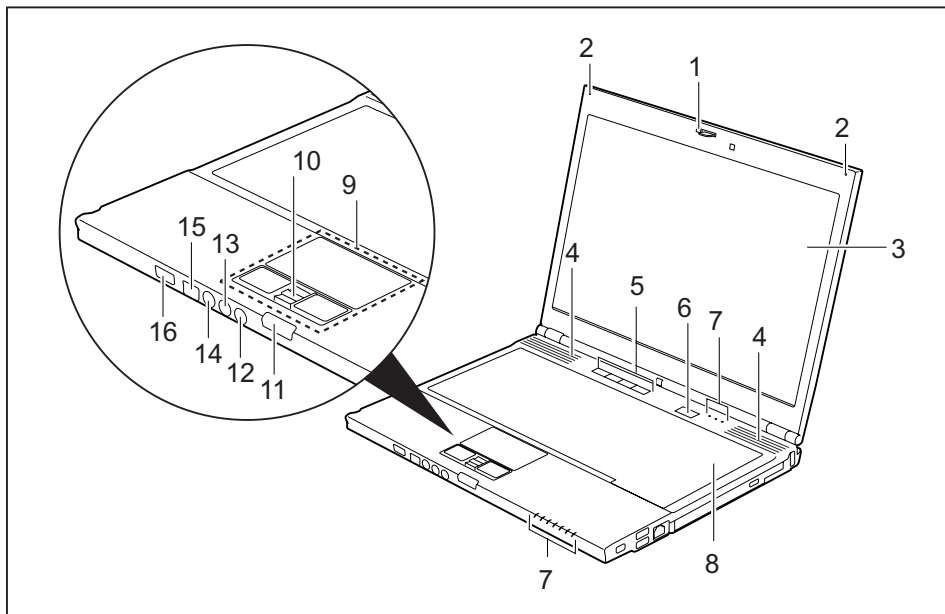


Take note of the safety hints provided in the "Safety" manual, in the "Professional Notebook" operating manual and in this manual.

Ports and operating elements

This chapter presents the individual hardware components of your notebook. You can obtain an overview of the ports and operating elements of the notebook. Please familiarise yourself with these components before you start to work with your notebook.

Notebook open



1 = Camera (optional)

2 = Microphone

3 = LCD screen

4 = Loudspeaker

5 = Easy Launch keys

6 = ON/OFF switch

7 = Status indicators

8 = Keyboard

9 = Touchpad and touchpad buttons

10 = Fingerprint sensor

11 = Screen lock

12 = S-Video out socket

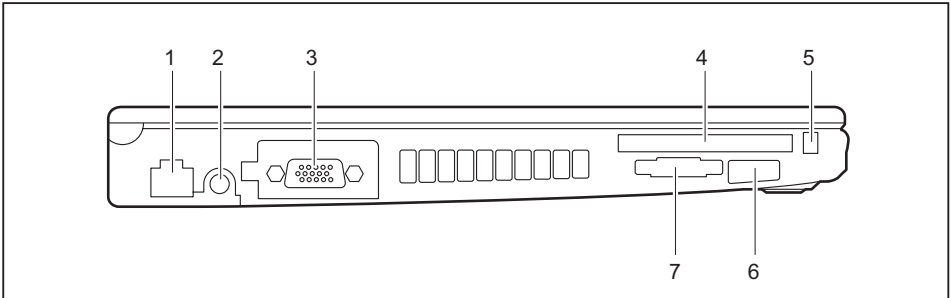
13 = Microphone port

14 = Loudspeaker port

15 = FireWire port

16 = ON/OFF switch for radio components

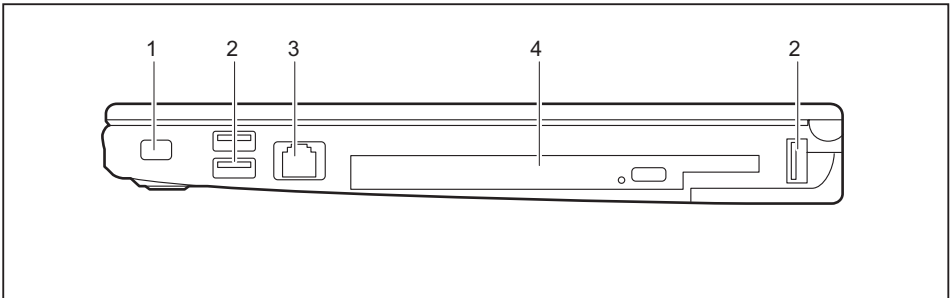
Left side



- 1 = LAN port
- 2 = DC input connector (DC IN)
- 3 = Monitor port
- 4 = PC card slot

- 5 = PC card eject button
- 6 = Infrared interface
- 7 = Memory card slot

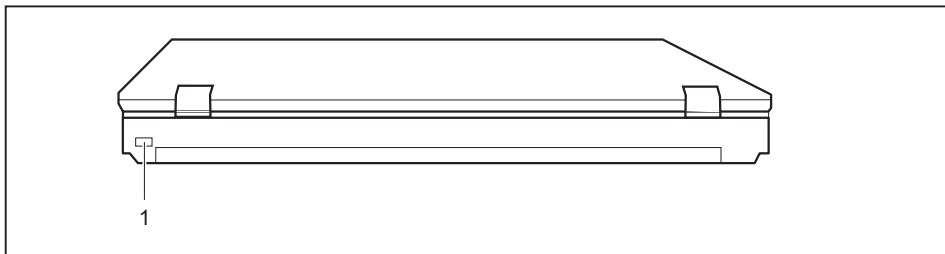
Right side



- 1 = Kensington Lock
- 2 = USB ports

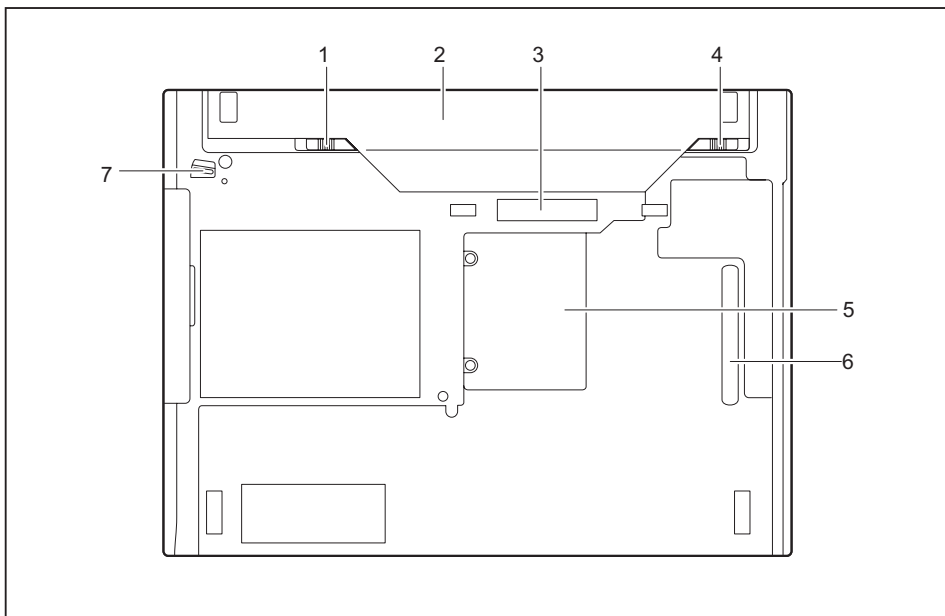
- 3 = Modem port
- 4 = Module bay with optical drive

Rear



1 = Kensington Lock

Underside



1 = Battery release

2 = Battery

3 = Port for port replicator

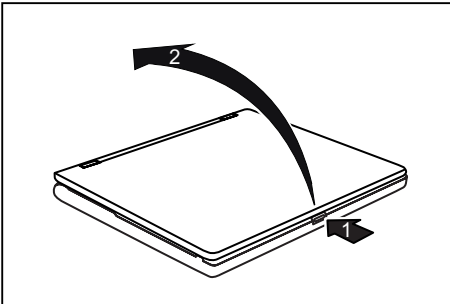
4 = Battery release latch

5 = Cover for memory modules

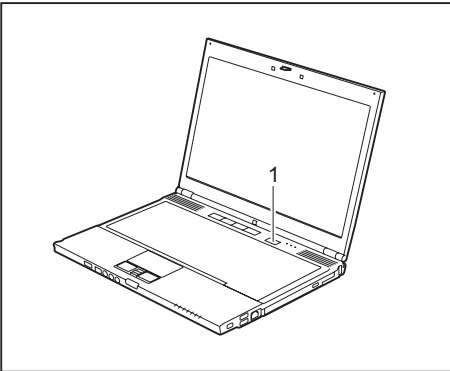
6 = Air filter

7 = Release mechanism for module bay

Switching on the notebook



- ▶ Press the release button (1) and open the LCD–display panel (2).



- ▶ Press the ON/OFF switch (1) to switch the notebook on.
- ↳ The power-on indicator is lit.



Windows XP:

You can configure the ON/OFF switch under *Start – (Settings) – Control Panel – Performance and Maintenance – Power Options – Advanced*.

Windows Vista:

You can configure the ON/OFF switch under *Start symbol – (Settings) – Control Panel – Mobile PC – Power Options*.

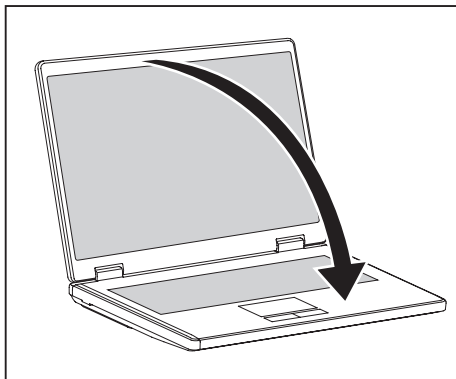
If you have assigned a password, you must enter this when requested to do so, in order to start the operating system password. You can find more information in the "Professional Notebook" operating instructions, "Security functions" section.

Switching off the Notebook

- ▶ Close all applications and shut down your operating system (please see operating system manual).



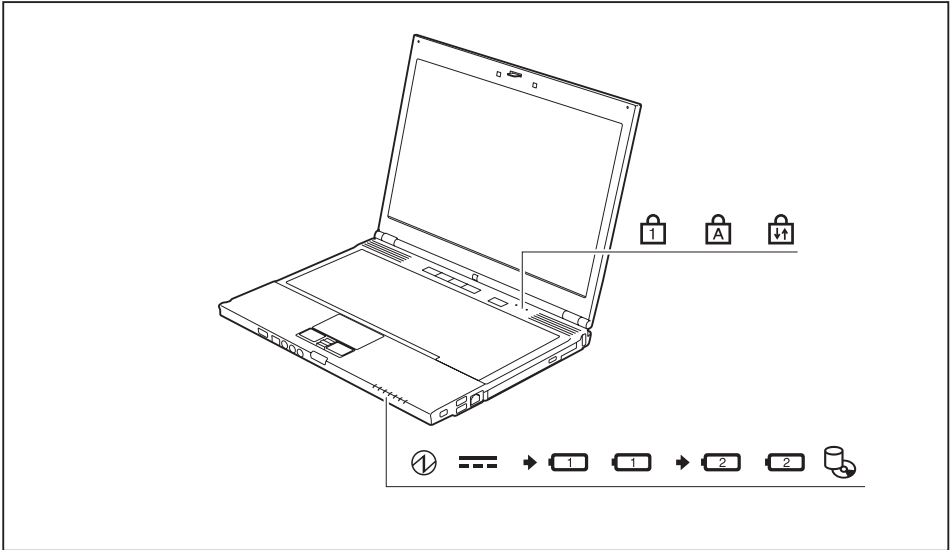
If the notebook cannot be shut down properly, press and hold the ON/OFF button for approximately four seconds. The notebook will switch off. Any unsaved data may be lost.



- ▶ Close the LCD screen.

Status indicators

The status indicators provide information about the status of the power supply, the drives and the keyboard functions.



Power-on indicator



Power indicator



Battery charging indicator (first battery)



Drive indicator



First battery indicator



Num Lock indicator



Battery charging indicator (second battery)



Caps Lock indicator



Second battery indicator



Scroll Lock indicator

The meanings of the symbols are as follows:



Power-on indicator

- Indicator continuously lit: the notebook is switched on.
- Indicator flashes: the notebook is in suspend mode
- The indicator is not lit: the notebook is switched off or in Save-to-Disk mode.



Power indicator

Indicator is illuminated: the mains adapter is supplying power to the notebook.



Drive indicator

Indicator lights up green: the hard disk drive or the CD/DVD in the optical drive of the notebook is being accessed.



Battery charging indicator (first battery)

- Indicator is illuminated (green): the mains adapter is connected and the first battery is fully charged, or the mains adapter is connected and the first battery is not installed.
- The indicator flashes yellow: the mains adapter is connected and the first battery cannot be charged (the battery is too hot for charging).
- The indicator is illuminated (yellow): the mains adapter is connected and the first battery is being charged.
- The indicator is not illuminated: the mains adapter is not connected.



First battery indicator

- Indicator lights up green: the mains adapter is connected and the first battery is being charged. The first battery is charged to between 50% and 100% of maximum capacity.
- The indicator slowly flashes green (1 second on/5 seconds off): the notebook is in suspend mode and power is being supplied by the first battery. The first battery is charged to between 50% and 100% of maximum capacity.
- The indicator lights up yellow: the mains adapter is connected and the first battery is being charged. The first battery is charged to between 13% and 49% of maximum capacity.
- The indicator slowly flashes yellow (1 second on/5 seconds off): the notebook is in suspend mode and power is being supplied by the first battery. The first battery is charged to between 13% and 49% of maximum capacity.
- The indicator lights up red: the mains adapter is connected and the first battery is being charged. The first battery is charged to between 0% and 12% of maximum capacity.
- The indicator flashes red (1 second on/1 second off): the first battery is faulty.
- The indicator slowly flashes red (1 second on/5 seconds off): the notebook is in suspend mode and power is being supplied by the first battery. The first battery is charged to between 0% and 12% of maximum capacity.
- The indicator is not lit: the first battery is not installed.



Battery charging indicator (second battery)

- The indicator lights up yellow: the mains adapter is connected and the second battery is being charged.
- The indicator flashes yellow: the mains adapter is connected and the second battery cannot be charged (the battery is too hot for charging).
- The indicator is not lit: the mains adapter is connected and the second battery is fully charged, or the mains adapter is connected and the second battery is not installed, or the mains adapter is not connected.



Second battery indicator

- Indicator lights up green: the mains adapter is connected and the second battery is being charged. The second battery is charged to between 50% and 100% of maximum capacity.
- The indicator slowly flashes green (1 second on/5 seconds off): the notebook is in suspend mode and power is being supplied by the second battery. The second battery is charged to between 50% and 100% of maximum capacity.
- The indicator lights up yellow: the mains adapter is connected and the second battery is being charged. The second battery is charged to between 13% and 49% of maximum capacity.
- The indicator slowly flashes yellow (1 second on/5 seconds off): the notebook is in suspend mode and power is being supplied by the second battery. The second battery is charged to between 13% and 49% of maximum capacity.
- The indicator lights up red: the mains adapter is connected and the second battery is being charged. The second battery is charged to between 0% and 12% of maximum capacity.
- The indicator flashes red (1 second on/1 second off). The second battery is faulty.
- The indicator slowly flashes red (1 second on/5 seconds off): the notebook is in suspend mode and power is being supplied by the second battery. The second battery is charged to between 0% and 12% of maximum capacity.
- The indicator is not lit: the second battery is not installed.



Num Lock indicator

Indicator continuously lit: the **Num Lk** key has been pressed. The virtual numeric keypad is activated. You can output the characters indicated on the upper right of the keys.



Caps Lock indicator

Indicator continuously lit: the Caps Lock key has been pressed. All the characters you type will appear in upper case. In the case of overlay keys, the character printed on the upper left of the key will appear when that key is pressed.



Scroll Lock indicator

Indicator continuously lit: the key combination **Fn** + **Scr Lk** has been pressed. The effect that this key has varies between applications.

Key combinations

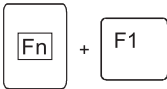
The following description of key combinations refers to functions when using Microsoft Windows. Some of the following key combinations may not function in other operating systems and with some device drivers.

Key combinations are entered as follows:

- ▶ Press and hold the first key in the combination.
- ▶ While holding the first key down, press the other key or keys in the combination.

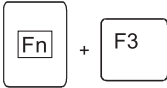


The key combination **Ctrl** + **Alt Gr** or **Ctrl** + **Alt** can be used on external keyboards that do not feature a **Fn** key.



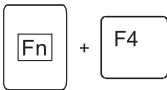
Sleep mode

This key combination is used to activate the suspend mode (S3).



Enable/disable loudspeakers

This key combination switches your notebook's loudspeakers off and on.



Switching the touchpad on/off

This key combination enables and disables the touchpad.



Decrease screen brightness

This key combination decreases the brightness of the screen.



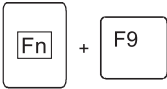
Increase screen brightness

This key combination increases the brightness of the screen.

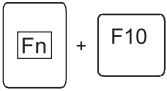


Decrease volume

This key combination reduces the volume of the integrated loudspeakers.

**Volume increase**

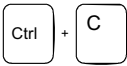
This key combination raises the volume of the integrated loudspeakers.

**Toggle output screen**

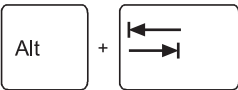
If an external monitor is connected, the monitor on which the output is to be displayed can be selected with this key combination.

You can opt to use:

- just the notebook's LCD screen
- just the external monitor
- both the LCD screen and the external monitor

**Halt current operation**

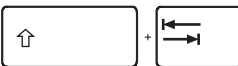
This key combination can be used to halt an operation instantly without clearing the keyboard buffer.

**Switch between open applications**

With this key combination you can switch between several open applications.

**Perform warm boot**

This key combination triggers a reset and reboots the notebook. First press and hold both the **Ctrl** and **Alt** key, then press the **Del** key. This will cause the Task Manager to be displayed. The key combination must be pressed a second time to reboot the system.

**Back tab**

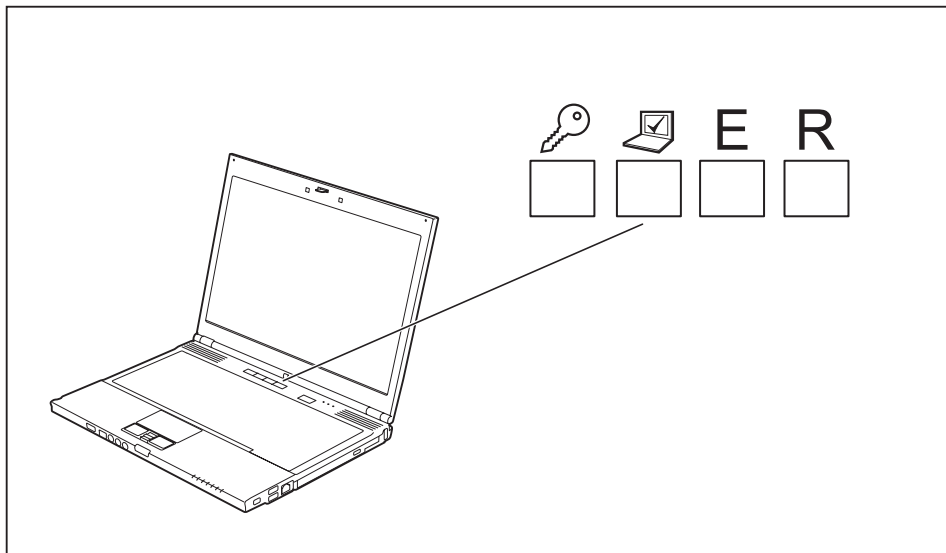
This key combination moves the cursor back to the previous tabular stop.



Key combinations using the Windows keys are detailed in the manual for your operating system.

Easy Launch keys

Your notebook is equipped with four Easy Launch keys.



Lock Workstation key

This key allows you to lock your workstation. However, you can also configure this key as desired.

Mobility Center key

This button starts the Mobility Center. However, you can also configure this key as desired.

E key

The E key is a simple way of activating and deactivating power management functions (e.g. reduce screen brightness), see the "Professional Notebook" manual.

R key (recovery)

Pressing the R key opens a dialog window in which you can backup or restore data.

Configuring Easy Launch keys

The *Application Panel* allows you to assign various functions to the Easy Launch keys.

Windows XP:

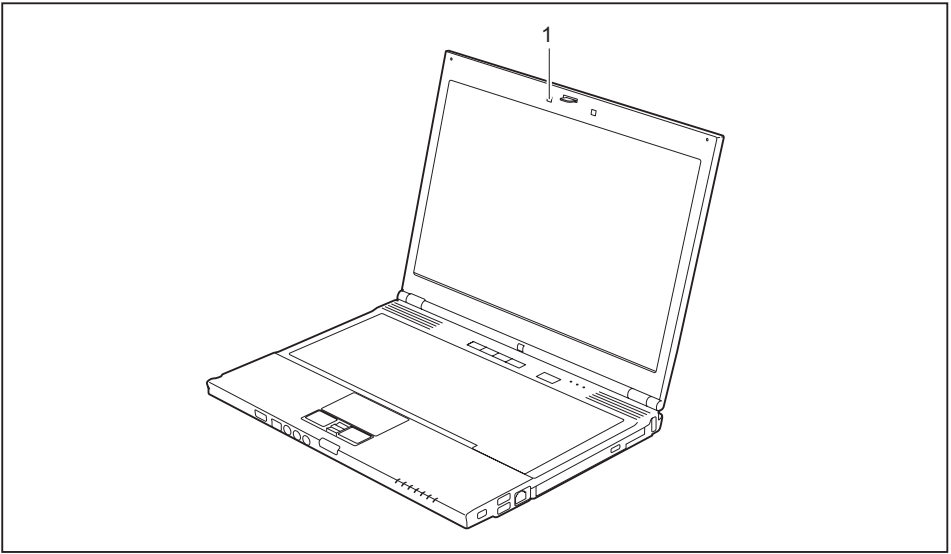
You will find the *Application Panel* under *Start - (Settings) - Control Panel - Additional Control Panel Options - Application Panel*.

Windows Vista:

You will find the *Application Panel* under *Start symbol - Programs - Lifebook Application Panel*.

Camera (optional)

Your device is fitted with a VGA camera (1), which can also be used as a webcam.



Further information on the use of the camera can be found in the supplied software.

Removing and installing the battery



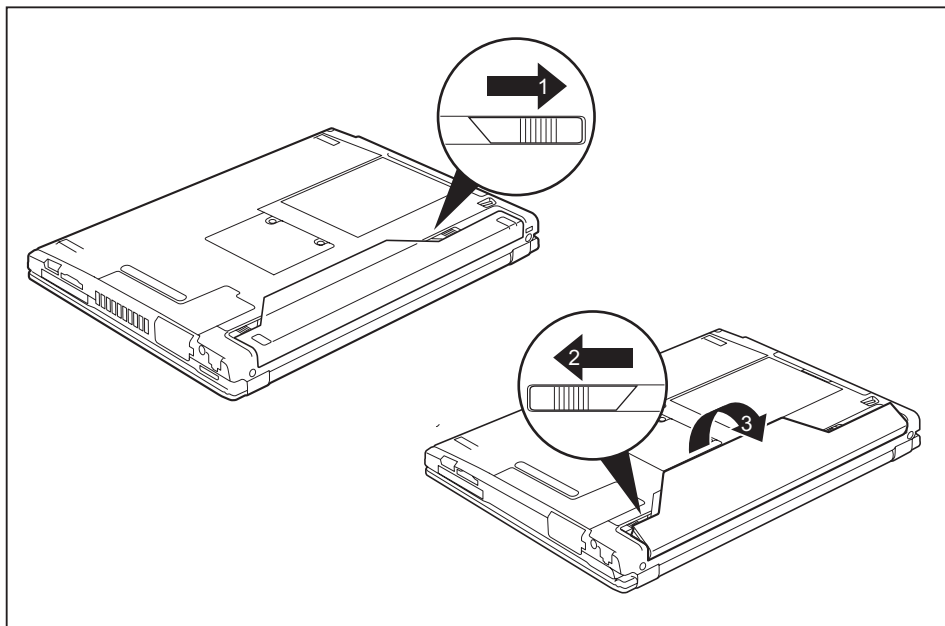
Only use batteries approved by Fujitsu Siemens Computers for your notebook.

Never use force when inserting or removing a battery.

Make sure that no foreign bodies get into the battery connections.

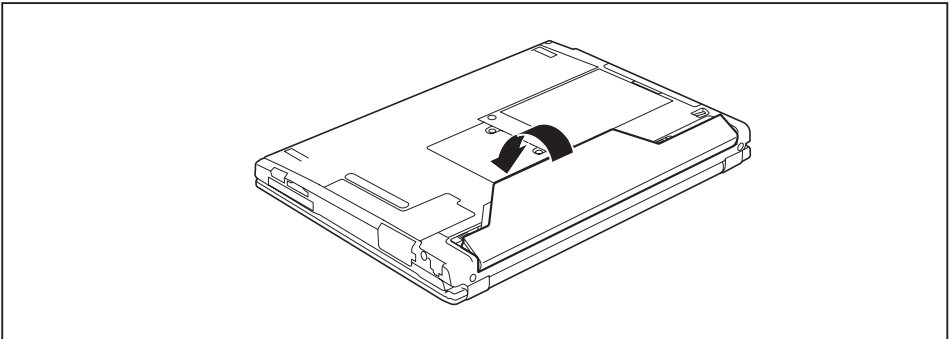
Removing the battery

- ▶ Switch the notebook off and pull the power plug out of the mains socket.
- ▶ Close the LCD screen so that it locks into place.
- ▶ Disconnect all cables connected to the notebook.
- ▶ Turn your notebook over and place it on a stable, flat and clean surface. If necessary, lay an anti-slip cloth on this surface to prevent the notebook from being scratched.



- ▶ Slide the release button in direction of the arrow (1).
- ▶ Slide the battery lock (2) in the direction of the arrow as far as possible and hold it in place.
- ▶ Remove the battery from the battery compartment (3).

Installing battery



- ▶ Position the battery at the edge.
- ▶ Push the battery into the battery slot until you feel it lock into place (1).
- ▶ Slide the release button in direction of the arrow (2).

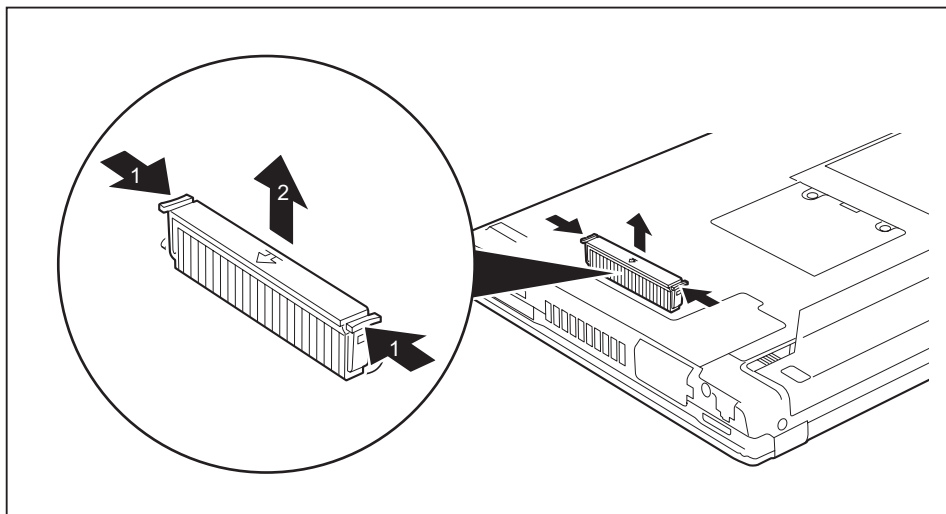
Removing and installing the air filter



Clean the existing air filter regularly. Dirty air filters will lead to an increased temperature inside the device. Operating temperatures which are too high can lead to loss of data and unreliable operation.

Air filter removal

- ▶ Switch off your notebook and disconnect the power plug from the mains.
- ▶ Close the LCD screen so that it locks into place.
- ▶ Disconnect all cables connected to the notebook.
- ▶ Turn your notebook over and place it on a stable, flat and clean surface. If necessary, lay a non-slip cloth on this surface to prevent the notebook from being scratched.

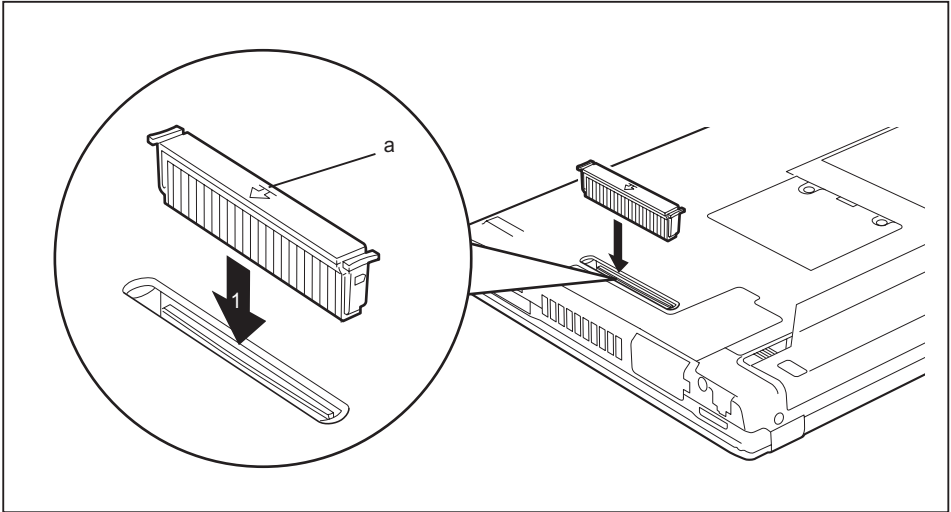


- ▶ Press and hold the locking tab on the air filter (1).
- ▶ Remove the air filter from its slot (2).
- ▶ Clean the air filter with a dry brush.

Install air filter



Make sure that the arrow (a) on the air filter points in the correct direction and that you reinsert the air filter with the same orientation that it had before the cleaning operation.



- ▶ Insert the air filter at an angle into the slot (1) and ensure that you feel it click into place.
- ▶ Turn the notebook the right way up and place it on a flat surface.
- ▶ Reconnect the cables that you disconnected previously.

Module

The design of your notebook enables the flexible use of notebook batteries and drives. The following modules can be operated in the module bay of your notebook:

- DVD/CD-R/RW drive
- DVD Super Multi Drive
- Second battery
- Blind insert (Weight Saver)



Only use modules designed for your notebook.

Do not use force when installing or removing the module.

Make sure that no foreign objects enter the module bay.

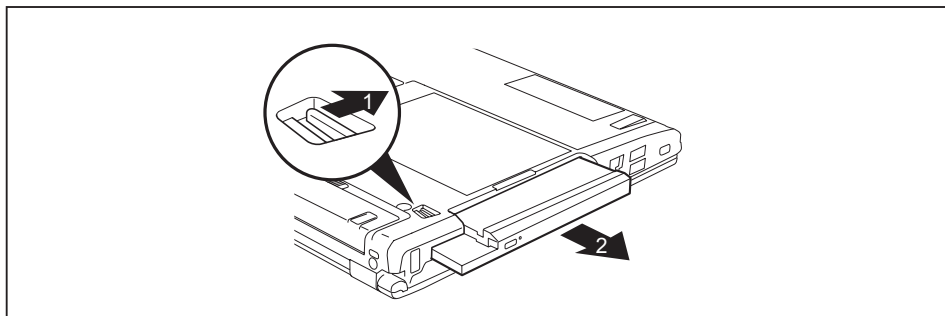


You can swap modules during operation. This means you do not need to switch off the notebook.

To replace a module, simply click on the corresponding icon in the task bar and then on *Exit* or *Select - Exit*.

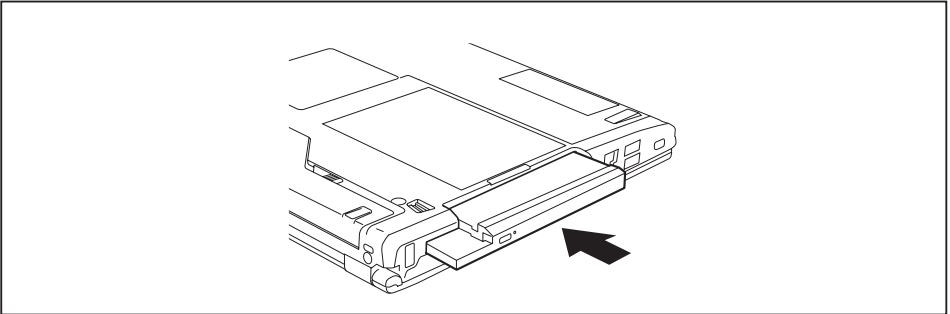
The module can now be removed without any further actions being necessary.

Removing a module



- ▶ Slide the release mechanism (1) in the direction of the arrow and hold.
- ▶ Now pull the module (2) out of the module bay.

Installing a module



- ▶ Place the module into the module bay so that the contacts enter first.
- ▶ Push the module into the module bay until you feel it locking into place.

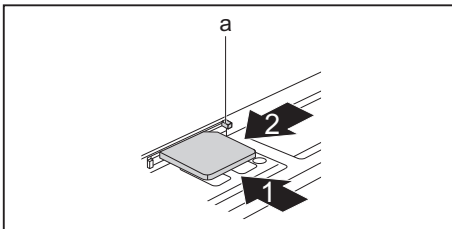
SIM card



Follow the instructions supplied by the provider of the SIM card.

Inserting the SIM card

- ▶ Switch the notebook off and pull the power plug out of the mains socket.
- ▶ Close the LCD screen so that it locks into place.
- ▶ Disconnect all cables connected to the notebook.
- ▶ Turn your notebook over and place it on a stable, flat and clean surface. If necessary, lay an anti-slip cloth on this surface to prevent the notebook from being scratched.
- ▶ Remove the battery (see Section ["Removing the battery", Page 16](#)).

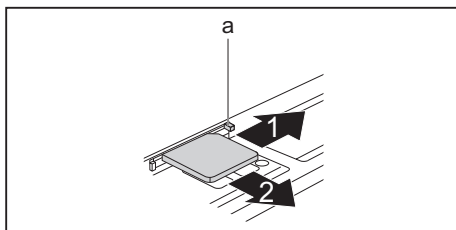


- ▶ Slide the SIM card into the slot (1) (with the contacts facing upwards) until it engages.
- ▶ Slide the clip (a) of the SIM card in the direction of the arrow (2).

- ▶ Reinstall the battery (see ["Installing battery", Page 17](#)).
- ▶ Turn the notebook the right way up and place it on a flat surface.
- ▶ Reconnect the cables that you disconnected previously.

Removing a SIM card

- ▶ Switch the notebook off and pull the power plug out of the mains socket.
- ▶ Close the LCD screen so that it locks into place.
- ▶ Disconnect all cables connected to the notebook.
- ▶ Turn your notebook over and place it on a stable, flat and clean surface. If necessary, lay an anti-slip cloth on this surface to prevent the notebook from being scratched.
- ▶ Remove the battery (see Section ["Removing the battery", Page 16](#)).



- ▶ Slide the clip (a) of the SIM card in the direction of the arrow (1).
- ▶ Press on the edge of the SIM card so that it jumps up slightly out of the slot.
- ▶ Pull the SIM card out of the slot in the direction of the arrow (2).

- ▶ Reinstall the battery (see ["Installing battery", Page 17](#)).
- ▶ Turn the notebook the right way up and place it on a flat surface.
- ▶ Reconnect the cables that you disconnected previously.

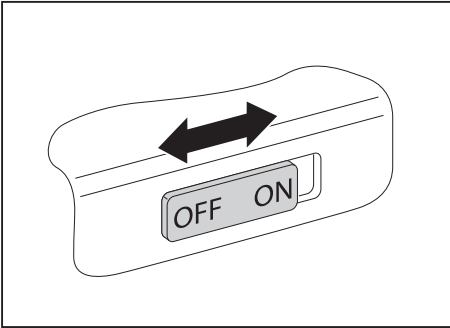
Radio components: UMTS (optional)/wireless LAN/Bluetooth



The installation of a wireless LAN, Bluetooth or UMTS module not approved by Fujitsu Siemens Computers GmbH voids the permits (CE!, FCC) issued for this device.

The modules for radio components are switched off during shipping.

Switching the radio components on and off



- ▶ Slide the ON/OFF switch into the "ON" position to activate the radio components.
- or
- ▶ Slide the ON/OFF switch to the "OFF" position to deactivate the radio components.



The Bluetooth and UMTS modules and the wireless LAN transmission unit (antenna) will also be switched off when you switch off the radio components.

You can also deactivate the wireless components individually in the *BIOS Setup*. You must have assigned the supervisor password in order for this function to be available.

Pay attention to the additional safety notes for devices with radio components provided in the "Safety" manual.

Details on using Wireless LAN can be found the online help system included in the Wireless LAN software.

You can find more information on how to use Bluetooth on the CD you received with your Bluetooth software.

You can obtain more information on UMTS from your service provider.

Removing and installing components during servicing



Only qualified technicians should repair your notebook. Unauthorised opening or incorrect repair may greatly endanger the user (electric shock, fire risk) and will invalidate your warranty.

You may remove and install the components described in this chapter yourself after consulting the Hotline/Help Desk.



If you remove and install components without consulting the Hotline/Help Desk, then the warranty of your notebook will be voided.

Notes on installing and removing boards and components

- Switch the notebook off and pull the power plug out of the mains socket.
- Remove the battery.
- Take care when you use the locking mechanisms on the battery and any other component.
- Never use sharp objects such as screwdrivers, scissors or knives as leverage to remove covers.



Boards with electrostatic sensitive devices (ESD) are marked with the label shown.

When handling boards fitted with ESDs, you must always observe the following points:

- You must always discharge static build up (e.g. by touching a grounded object) before working.
- The equipment and tools you use must be free of static charges.
- Remove the power plug from the mains supply before inserting or removing boards containing ESDs.
- Always hold boards with ESDs by their edges.
- Never touch pins or conductors on boards fitted with ESDs.

Removing and installing memory modules

The notebook will not start without memory modules, as no fixed RAM is installed.

Your notebook supports dual-channel DDR2 technology.



The dual-channel DDR2 technology can only be used with two identical memory modules. When two different memory modules are installed, only "single-channel" mode is supported. This reduces the performance of your notebook.

With a memory configuration of 4 Gbytes, the visible and usable main memory may be reduced to 3 Gbytes (depending on notebook configuration).

If you are asked by the Hotline/Help Desk to remove and install the memory modules yourself, proceed as follows:



Pay attention to the relevant safety notes provided in the "Important notes" chapter.

The notebook must be switched off when installing/removing the memory modules, it must not be in Suspend mode.

Only use approved memory expansion modules in your notebook (see Section ["Technical data", Page 28](#)).

Never use force when installing or removing memory modules.

Make sure that foreign objects do not fall into the memory expansion compartment.

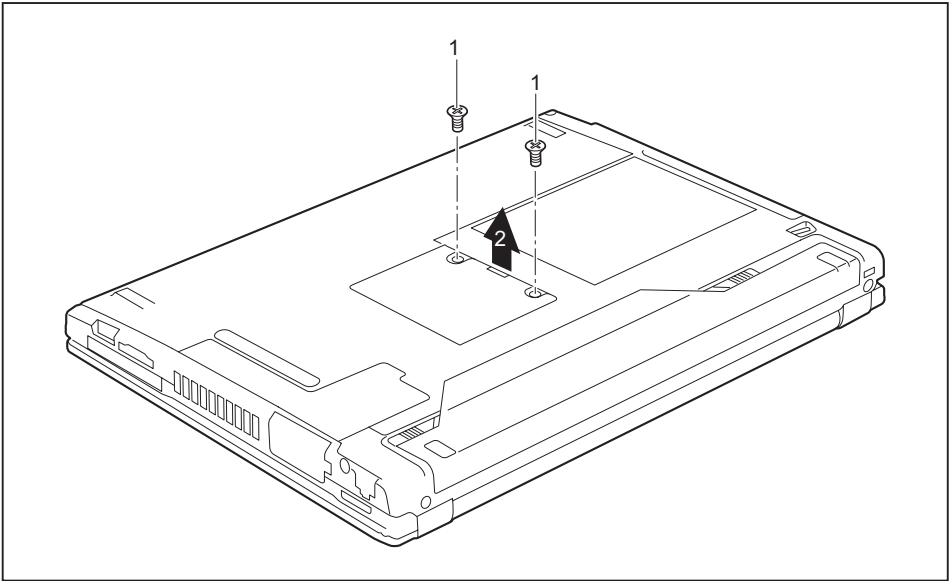


Individual components (e.g. the processor heat sink) can become very hot during operation. Therefore, we recommend that you wait one hour after switching off the notebook before removing or installing the memory modules. Otherwise, there is a risk of suffering burns!

As some non-ESD safe components are exposed, please observe the section ["Notes on installing and removing boards and components", Page 24](#).

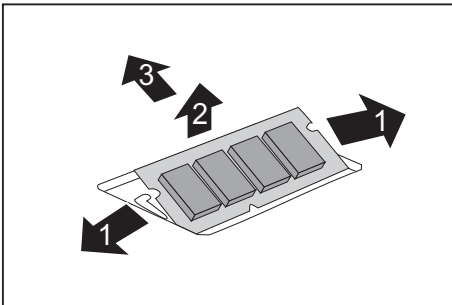
- ▶ Switch your notebook off and unplug the mains adapter from the mains outlet.
- ▶ Close the LCD screen so that it locks into place.
- ▶ Disconnect all cables connected to the notebook.
- ▶ Turn your notebook over and place it on a stable, flat and clean surface. If necessary, lay an anti-slip cloth on this surface to prevent the notebook from being scratched.
- ▶ Remove the battery (see ["Removing the battery", Page 16](#)).

Removing cover



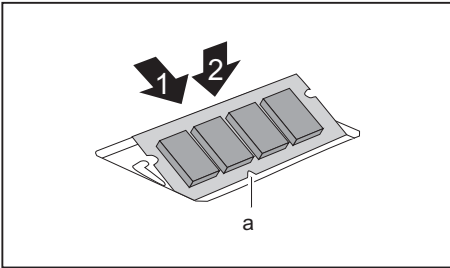
- ▶ Remove the screws (1).
- ▶ Pull the cover off the notebook (2).

Removing memory modules



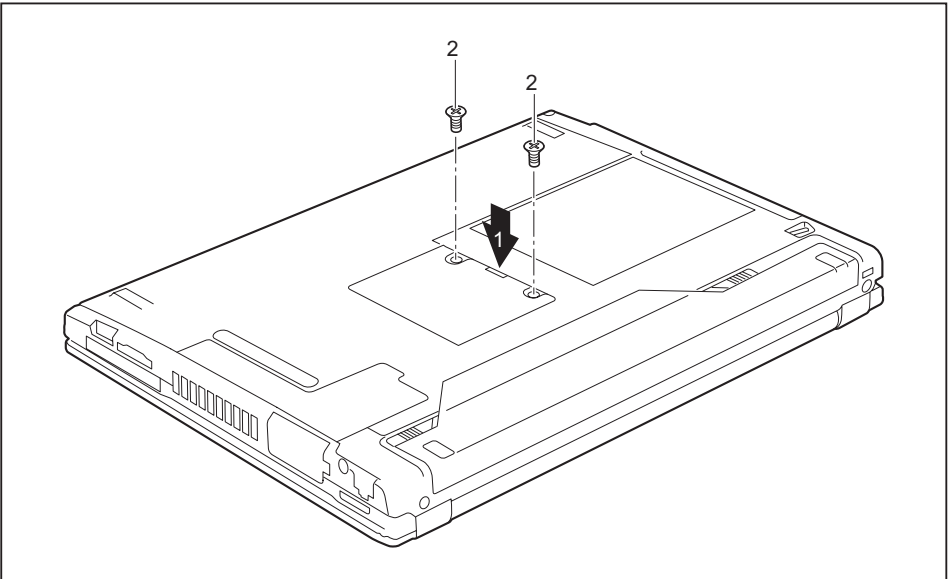
- ▶ Carefully push the two mounting clips outwards (1).
- ↳ The memory module snaps upwards (2).
- ▶ Pull the memory module out of its slot in the direction of the arrow (3).

Installing a memory module



- ▶ Insert the memory module with the contacts and the recess (a) facing the slot (1).
- ▶ Carefully push the memory module downwards until you feel it click into place (2).

Attaching the cover



- ▶ Place the cover in the correct mounting position (1).
- ▶ Secure the cover with the screws (2).
- ▶ Re-installing the battery (see ["Installing battery", Page 17](#)).
- ▶ Turn the notebook the right way up and place it on a flat surface.
- ▶ Reconnect the cables that you disconnected previously.

Technical data

Notebook



The installation and removal of memory modules in one of the two slots should only be carried out by an authorised technician.

General	
Processor	Intel Dual Core 2
Main memory	Maximum 4 GByte 2 slots - max. 4GB DD2 1 GByte or 2 GByte DDR2 SDRAM SO-DIMM module, 667 MHz
Suitable modules	<ul style="list-style-type: none"> • DVD/CD-R/RW drive • DVD Super Multi Drive • Second battery • Blind insert (Weight Saver)
Electrical data	
Regulations complied with	CE, CE!
Protection class	II
Maximum power consumption□ (notebook on with battery charging)	80 W
LCD screen	
Screen size (diagonal)	13.3 inch WXGA (Wide XGA), TFT
Max. resolution	1280 x 800/16 million colours
Graphics card	
Chip	GMA X 3100
Video memory (VRAM)	Shared memory
Audio	
Sound chip	ALC262
Input devices	
Keyboard	86 keys
Touchpad/TouchStick	2 buttons and 1 finger pressure sensor
Slots	
PC card slot (CardBus/PCMCIA)	PCMCIA 1 x Type II
Memory card slot	1 x MS/xD/SD Card
SIM card slot	1 x

Ports	
Monitor port	15-pin socket
LAN port	Socket, RJ45
Microphone port	3.5 mm mono mini-jack
Headphone port	3.5 mm stereo mini jack
S-Video out socket	Mini jack
Modem port	Connector, RJ11
Infrared interface	IrDA 1.1
FireWire port	S400, 4-pin
Docking port	100-pin
USB port	3 x USB 2.0
Environmental conditions	
Environment class (3K2)	DIN IEC 721
Mechanical class (7M2)	DIN IEC 721
Temperature	
Operation	5 °C ... 35 °C
Transport	-15 °C ... 60 °C
Dimensions	
Width x depth x height	314 mm x 234 mm x 31.5 mm – 33.5 mm
Weight (depending on configuration)	Approx. 1.6 – 2.1 kg



The data sheet for this notebook contains further technical data. You can find the data sheet on your notebook or on the supplied "[Drivers & Utilities](#)" CD/DVD. The data sheet can also be downloaded from the Internet at "www.fujitsu-siemens.com".

Battery

Rated voltage	10.8 V
Rated capacity	5200 mAh



The operating time depends on the device configuration, the active applications and the energy saving settings.

Mains adapter

Primary

Rated voltage	100 V to 240 V (automatic)
Rated frequency	50 Hz to 60 Hz (automatic)

Secondary

Rated voltage	19 V
Max. rated current	4.22 A

An additional mains adapter or power cable can be ordered at any time.

Index

A

Alt+Tab 13

B

Back tab 13

Battery

important notes 16

removing 16

Bluetooth 23

Switching off 23

Switching on 23

Board 24

C

Camera (optional) 4

Components

installing / removing 24

Ctrl+Alt+Del 13

Ctrl+C 13

D

DC input connector 5

Drive

Removing 20

E

Easy Launch keys 4, 14

ESD 24

F

Fingerprint sensor 4

FireWire port 4

Fn + F1 12

Fn + F10 13

Fn + F3 12

Fn + F4 12

Fn + F6 12

Fn + F7 12

Fn + F8 12

Fn + F9 13

I

Indicator

Power indicator 10

Infrared interface 5

Insert/eject button 5

K

Kensington Lock 6

Keyboard 4

L

LAN port 5

LCD screen 4

Loudspeaker 4

Loudspeaker port 4

Loudspeakers

disable 12

enable 12

M

Main memory 25

Memory card slot 5

Memory expansion 25

installing 27

removing 26

Memory module

installing 27

removing 26

Memory upgrade 25

Microphone 4

Microphone port 4

Modem port 5

Module 20

Removing 20

Module bay 5, 20

Monitor port 5

N

Notes

battery 16

boards 24

O

ON/OFF switch for radio components 4

Optical drive 5

P

PC card eject button 5

PC card slot 5

Ports 4

Power indicator 10

- S**
 - Screen brightness
 - decrease 12
 - increase 12
 - Screen lock 4
 - Servicing 24
 - Shift+Tab 13
 - Sleep mode
 - activating 12
 - Status indicators 4, 9
 - System expansion
 - memory expansion 25
- T**
 - Technical data
 - battery 29
 - Mains adapter 30
 - notebook 28
 - Toggle output screen 13
 - Touchpad
 - disable 12
 - Touchpad and touchpad buttons 4
- U**
 - UMTS 23
 - USB port 5
- V**
 - Volume
 - decrease 12
 - increase 13
- W**
 - Warm boot 13
 - Weight Saver
 - Removing 20
 - Wireless LAN 23
 - Switching off 23
 - Switching on 23