


User's Guide

Learn how to use your Fujitsu
LifeBook E780 notebook

Guide d'utilisation

Découvrez comment utiliser
votre ordinateur portable
Fujitsu LifeBook E780


FUJITSU

User's Guide

Learn how to use your
Fujitsu LifeBook E780
notebook




FUJITSU



Copyright and Trademark Information

Fujitsu America, Incorporated has made every effort to ensure the accuracy and completeness of this document; however, as ongoing development efforts are continually improving the capabilities of our products, we cannot guarantee the accuracy of the contents of this document. We disclaim liability for errors, omissions, or future changes.

Fujitsu, the Fujitsu logo, and LifeBook are registered trademarks of Fujitsu Limited.

Intel, Intel Core, Centrino, and Intel Centrino Pro are trademarks or registered trademarks of Intel Corporation or its subsidiaries in the United States and other countries.

Microsoft, Windows, and Windows Vista are either registered trademarks or trademarks of Microsoft Corporation in the United States and/or other countries.

The ExpressCard word mark and logo are owned by the Personal Computer Memory Card International Association (PCMCIA) and any use of such marks by Fujitsu America, Incorporated is under license.

Google and Picasa are trademarks or registered trademarks of Google Incorporated.

PCMCIA is a trademark of the Personal Computer Memory Card International Association.

Bluetooth is a trademark of Bluetooth SIG, Inc., USA.

XSPAN is a trademark of Atheros Communications.

OmniPass is a trademark of Softex, Inc.

Roxio is a trademark of Roxio, a division of Sonic Solutions.

PowerDirector, PowerDVD, YouCam, and MakeDisc are trademarks of CyberLink Corp.

NVIDIA and GeForce are trademarks or registered trademarks of NVIDIA Corporation.

Adobe, Acrobat, and Acrobat Reader are either a registered trademarks or trademarks of Adobe Systems Incorporated in the United States and/or other countries.

Norton and Norton Internet Security are trademarks or registered trademarks of Symantec Corporation in the United States and other countries.

The DVD player found in some models of the LifeBook notebook incorporates copyright protection technology that is protected by method claims of certain U.S. patents and other intellectual property rights owned by Macrovision Corporation and other rights users. Use of this copyright protection technology must be authorized by Macrovision Corporation, and is intended for home and other limited viewing uses only unless authorized by Macrovision Corporation. Reverse engineering or disassembly is prohibited.

All other trademarks mentioned herein are the property of their respective owners.



WARNING

HANDLING THE CORD ON THIS PRODUCT WILL EXPOSE YOU TO LEAD, A CHEMICAL KNOWN TO THE STATE OF CALIFORNIA TO CAUSE BIRTH DEFECTS OR OTHER REPRODUCTIVE HARM.

WASH HANDS AFTER HANDLING.

© Copyright 2009 Fujitsu America, Incorporated. All rights reserved.

No part of this publication may be copied, reproduced, or translated, without prior written consent of Fujitsu. No part of this publication may be stored or transmitted in any electronic form without the written consent of Fujitsu. B6FJ-3451-01ENZ0-00



DECLARATION OF CONFORMITY

according to FCC Part 15

Responsible Party Name:	Fujitsu America, Incorporated
Address:	1250 E. Arques Avenue Sunnyvale, CA 94085
Telephone:	(408) 746-6000
Declares that product:	Base Model Configuration: LifeBook E780 notebook

Complies with Part 15 of the FCC Rules.

This device complies with Part 15 of the FCC rules. Operations are subject to the following two conditions: (1) This device may not cause harmful interference, (2) This device must accept any interference received, including interference that may cause undesired operation.

IMPORTANT SAFETY INSTRUCTIONS

This unit requires an AC adapter to operate. Use only UL Listed I.T.E. Adapters with an output rating of 19 VDC. The current rating is determined by the graphics card used in the system, and is indicated on the Fujitsu label on the bottom of the system.

AC adapter output polarity:



When using your notebook equipment, basic safety precautions should always be followed to reduce the risk of fire, electric shock and injury to persons, including the following:

- Do not use this product near water for example, near a bathtub, washbowl, kitchen sink or laundry tub, in a wet basement or near a swimming pool.
- Avoid using the modem during an electrical storm. There may be a remote risk of electric shock from lightning.
- Do not use the modem to report a gas leak in the vicinity of the leak.
- Use only the power cord and batteries indicated in this manual. Do not dispose of batteries in a fire. They may explode. Check with local codes for possible special disposal instructions.
- To reduce the risk of fire, use only No. 26 AWG or larger UL Listed or CSA Certified Telecommunication Line Cord.
- For TV tuner use: To protect from overvoltages and transients on the Cable Distribution System, make sure that the outer shield of the coaxial cable is connected to earth (grounded) at the building premise as close to the point of cable entrance as practicable, as required per NEC Article 820.93, ANSI/NFPA 70: 2005. If you have questions about your CATV installation, contact your service provider.

SAVE THESE INSTRUCTIONS

For Authorized Repair Technicians Only



DANGER OF EXPLOSION IF LITHIUM (CLOCK) BATTERY IS INCORRECTLY REPLACED. REPLACE ONLY WITH THE SAME OR EQUIVALENT TYPE RECOMMENDED BY THE MANUFACTURER. DISPOSE OF USED BATTERIES ACCORDING TO THE MANUFACTURER'S INSTRUCTION.



FOR CONTINUED PROTECTION AGAINST RISK OF FIRE, REPLACE ONLY WITH THE SAME TYPE AND RATING FUSE.

Recycling your battery

Over time, the batteries that run your mobile computer will begin to hold a charge for a shorter amount of time; this is a natural occurrence for all batteries. When this occurs, you may want to replace the battery with a fresh one*. If you replace it, it is important that you dispose of the old battery properly because batteries contain materials that could cause environmental damage if disposed of improperly.

Fujitsu is very concerned with environmental protection, and has enlisted the services of the Rechargeable Battery Recycling Corporation (RBRC)**, a non-profit public service organization dedicated to protecting our environment by recycling old batteries at no cost to you.

RBRC has drop-off points at tens of thousands of locations throughout the United States and Canada. To find the location nearest you, go to www.RBRC.org or call 1-800-822-8837.

If there are no convenient RBRC locations near you, you can also go to the EIA Consumer Education Initiative website (<http://EIAE.org/>) and search for a convenient disposal location.

Remember – protecting the environment is a cooperative effort, and you should make every effort to protect it for current and future generations.

* To order a new battery for your Fujitsu mobile computer, go to the Fujitsu shopping site at www.shopfujitsu.com in the US or www.fujitsu.ca/products/notebooks in Canada.

** RBRC is an independent third party to which Fujitsu provides funding for battery recycling; RBRC is in no way affiliated with Fujitsu.



Contents

Preface

About This Guide	8
Conventions Used in the Guide	8
Fujitsu Contact Information	9

Chapter 1 Getting to Know Your LifeBook

Overview	11
Locating the Controls and Connectors	12
Top Components	13
Left-Side Panel Components	15
Right-Side Panel Components	18
Back Panel Components	20
Bottom Components	22
Status Indicator Panel	24
Power Indicator	24
Battery Charge Indicator	25
Battery Level Indicators	25
Security Indicator	26
Hard Drive/Optical Drive Access Indicator	26
NumLk Indicator	26

Keyboard	28
Using the Keyboard	28
Touchpad Pointing Device	31
Clicking	32
Double-Clicking	33
Dragging	33
Touchpad Control Adjustment	33
Scrolling	34
Optional Quick Point Feature	34
Volume Control	35
Flexible Bay Devices	36
LifeBook Security/Application Panel	38
Setting up Your LifeBook Security Panel	38
Passwords	39
Operating Your LifeBook Security/Application Panel	40
Precautions	41
Uninstalling the Security Panel Application	42
Launching Applications with the Security/Application Panel	43

Chapter 2 Getting Started with Your LifeBook

Power Sources	46
Display Panel	48
Opening the Display Panel	48
Adjusting Display Panel Brightness	49
Using the Keyboard	49
Using the Power Options (Windows Vista/7)	49
Using the Windows Mobility Center (Windows Vista/7)	49
Using Power Management to Control Brightness (Windows 7)	49

Starting Your LifeBook Notebook.....	51
Power On	51
Boot Sequence	52
Hard Disk Drive Passwords	52
BIOS Setup Utility	52
Booting the System.....	54
Starting Windows the first time	54
Registering Your LifeBook Tablet PC with Fujitsu.....	55
Installing Click Me!	55
Fujitsu Driver Update Utility	56
Power Management.....	57
Power/Suspend/Resume Button	57
Sleep Mode	57
Hibernate Feature	58
Windows Power Management	59
Restarting the System.....	59
Powering Off	60
Chapter 3 User-Installable Features	
Lithium ion Battery.....	62
Recharging the Batteries.....	63
Replacing the Battery	65
Optical Drive	67
Media Player Software	68
Loading Media on Your Drive	68
Removing Media	70
Emergency Optical Drive Tray Release.....	71
Using the Media Player Software.....	71
Using Media Player on Battery Power	72

Memory Stick/Secure Digital Cards	74
Installing Memory Stick/SD Cards.....	75
Removing a Memory Stick/SD Card	75
PC Cards/ExpressCards™	76
Installing PC Cards	77
Removing PC Cards	77
Installing ExpressCards	78
Removing ExpressCards.....	79
Smart Card Reader	80
Memory Upgrade Module	81
Installing Memory Upgrade Modules.....	81
Removing a Memory Upgrade Module	83
Checking the Memory Capacity	84
Device Ports	85
Modem (RJ-11) Telephone Jack.....	85
Internal LAN (RJ-45) Jack	86
e-SATA Port	87
DisplayPort	87
Port Replicator Connector	87
Serial Port	88
Universal Serial Bus Ports	88
IEEE 1394 Port	89
Headphone Jack	90
Microphone Jack	90
External Video Port	91

Chapter 4 Troubleshooting Your LifeBook

Troubleshooting	92
Identifying the Problem	92
Specific Problems	94
Power On Self Test Messages	105
Modem Result Codes	109
Restoring Your Pre-installed Software	110
Re-installing Individual Drivers and Applications	110
Restoring the Operating System for Windows	111
Automatically Downloading Driver Updates	114

Chapter 5 Care and Maintenance

Caring for your LifeBook Notebook	116
Cleaning your LifeBook notebook	118
Cleaning the dust filter cover	119
Storing your LifeBook notebook	120
Traveling with your LifeBook notebook	121
Batteries	122
Media Care	123

Chapter 6 System Specifications

Specifications	125
Configuration Label	125
Microprocessor	126
Chipset	126
Memory	126
Video	126
Audio	127
Mass Storage Device Options	127
Modular Bay Devices	128

Features	128
Device Ports	129
Keyboard.	130
Power	131
Dimensions and Weight	131
Environmental Requirements	131
Popular Accessories	132
Pre-Installed Software	132
Learning About Your Software	133

Glossary/Regulatory

Glossary	136
Regulatory Information	149

Appendix A: WLAN User's Guide

Before Using the Optional Wireless LAN.	157
Wireless LAN Devices Covered by this Document	157
Characteristics of the WLAN Device	157
Wireless LAN Modes Using this Device	158
Deactivating/Disconnecting the WLAN Device	160
Deactivation Using the Wireless Device On/Off Switch	161
Disconnection Using the Icon in the Taskbar.	161
Activating the WLAN Device	161
Configuring the Wireless LAN.	162
Configuring the WLAN Using Windows Vista and Windows 7	162
Configuring the WLAN Using Windows XP	163
Connection to the network	163

Troubleshooting the WLAN	164
Troubleshooting	164
WLAN Specifications	166
Specifications	166
Using the Bluetooth Device	168
What is Bluetooth	168
Where to Find Information About Bluetooth	168

Appendix B: Fingerprint Sensor Device

Introducing the Optional Fingerprint Sensor Device	170
Getting Started	171
Installing OmniPass	171
User Enrollment	174
Using OmniPass	176
Configuring OmniPass	182
OmniPass Control Center	184
Troubleshooting	186
Index	188



Preface

About This Guide

The LifeBook E780 notebook from Fujitsu America provides desktop performance with the all new Intel® Core™ Processor. Depending upon the configuration, your notebook has either a built-in 15.6” TFT HD or HD+ color display. This system brings the computing power of desktop personal computers (PCs) to a portable environment.

Your computer comes with Microsoft® Windows 7 Professional, Windows Vista® Business, or Microsoft® Windows® XP Professional operating system pre-installed. This manual explains how to operate your LifeBook notebook’s hardware and built-in system software.

Conventions Used in the Guide

Keyboard and on-screen keys appear in brackets. Example: [Fn], [F1], [ESC], [ENTER] and [CTRL].

Pages with additional information about a specific topic are cross-referenced within the text. For example: (“See Installation Procedure on page 43”).

On screen menu items appear in bold. Example: “Click **Fujitsu Menu**, and select your choice”.

DOS commands you enter appear in Courier type. Example: “Shutdown the computer?”



THE INFORMATION ICON HIGHLIGHTS INFORMATION THAT WILL ENHANCE YOUR UNDERSTANDING OF THE SUBJECT MATERIAL.



THE CAUTION ICON HIGHLIGHTS INFORMATION THAT IS IMPORTANT TO THE SAFE OPERATION OF YOUR COMPUTER, OR TO THE INTEGRITY OF YOUR FILES. PLEASE READ ALL CAUTION INFORMATION CAREFULLY.



THE WARNING ICON HIGHLIGHTS INFORMATION THAT CAN BE HAZARDOUS TO EITHER YOU, YOUR LIFEBOOK NOTEBOOK, OR YOUR FILES. PLEASE READ ALL WARNING INFORMATION CAREFULLY.

Fujitsu Contact Information

Service and Support

You can contact Fujitsu Service and Support in the following ways:

- Toll free: 1-800-8Fujitsu (1-800-838-5487)
- Website: <http://www.computers.us.fujitsu.com/support>

Before you place the call, you should have the following information ready so that the customer support representative can provide you with the fastest possible solution:

- Product name
- Product configuration number
- Product serial number
- Purchase date

- Conditions under which the problem occurred
- Any error messages that have occurred
- Type of device connected, if any

Fujitsu Shopping Online

You can go directly to the online by going to the website at: www.shopfujitsu.com.



YOU MUST HAVE AN ACTIVE INTERNET CONNECTION TO USE THE ONLINE URL LINKS.

Limited Warranty

Your LifeBook notebook is backed by a Fujitsu International Limited Warranty. Check the service kit that came with your notebook for the Limited Warranty period and terms and conditions.

Chapter 1

Getting to Know Your LifeBook

Overview

This section describes the components of your Fujitsu LifeBook E780 notebook. We strongly recommend that you read it before using your notebook – even if you are already familiar with notebook computers.



Figure 1. Fujitsu LifeBook E780 notebook

Locating the Controls and Connectors

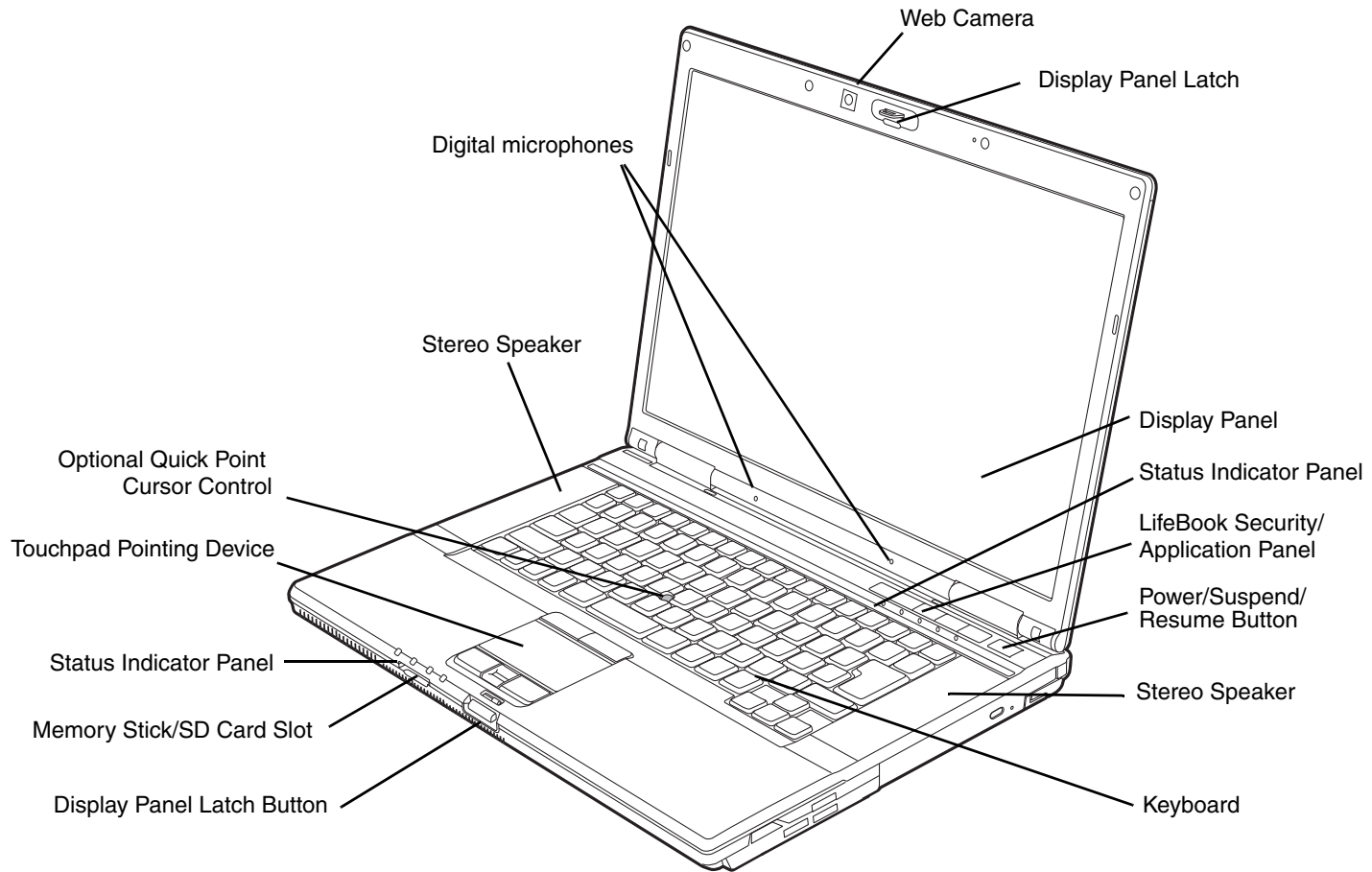


Figure 2. LifeBook notebook with display open

Top Components

The following is a brief description of your LifeBook notebook's top components.

Web Camera

The built-in camera has a resolution of 1.3 megapixels. For instructions on using the camera, see the help files that are included with the YouCam software application.

Display Panel Latch

The display panel latch is used to latch and unlatch the display. See “Opening the Display Panel” on page 48.

Display Panel

The display panel is a color LCD panel with back lighting for the display of text and graphics.

Status Indicator Panel

The Status Indicator Panel displays symbols that correspond with a specific component of your LifeBook notebook. See “Status Indicator Panel” on page 24.

LifeBook Security/Application Panel

The LifeBook Security/Application Panel provides hardware security and one-touch application launch capability. See “LifeBook Security/Application Panel” on page 38.

Power/Suspend/Resume Button

The Power/Suspend/Resume button allows you to suspend notebook activity without powering off, resume your LifeBook notebook from suspend mode, and power on your notebook when it has been shut down from Windows. See “Power/Suspend/Resume Button” on page 57.

Stereo Speakers

The built-in dual speakers allow for stereo sound.

Keyboard

A full-size keyboard with dedicated Windows keys. See “Keyboard” on page 28.

Display Panel Latch Button

The display panel latch button is used to latch and unlatch the display. See “Opening the Display Panel” on page 48.

Memory Stick/SD Card Slot

The Memory Stick/SD card slot allows you to install a Memory Stick or a Secure Digital (SD) card for data storage. This architecture allows you to transfer data from a variety of different digital devices. See “Installing Memory Stick/SD Cards” on page 75.

Touchpad Pointing Device

The Touchpad pointing device is a mouse-like cursor control with five buttons: two right mouse-like buttons, two left mouse-like buttons, and a scroll button. The upper left and right buttons are for use with the optional Quick Point cursor control. See “Touchpad Pointing Device” on page 31. Depending upon the configuration of your system, the scroll button may be configured as a fingerprint sensor device. See “Appendix B: Fingerprint Sensor Device” on page 170.

Quick Point Cursor Control

The optional Quick Point control offers an additional method for moving the cursor. See “Optional Quick Point Feature” on page 34.

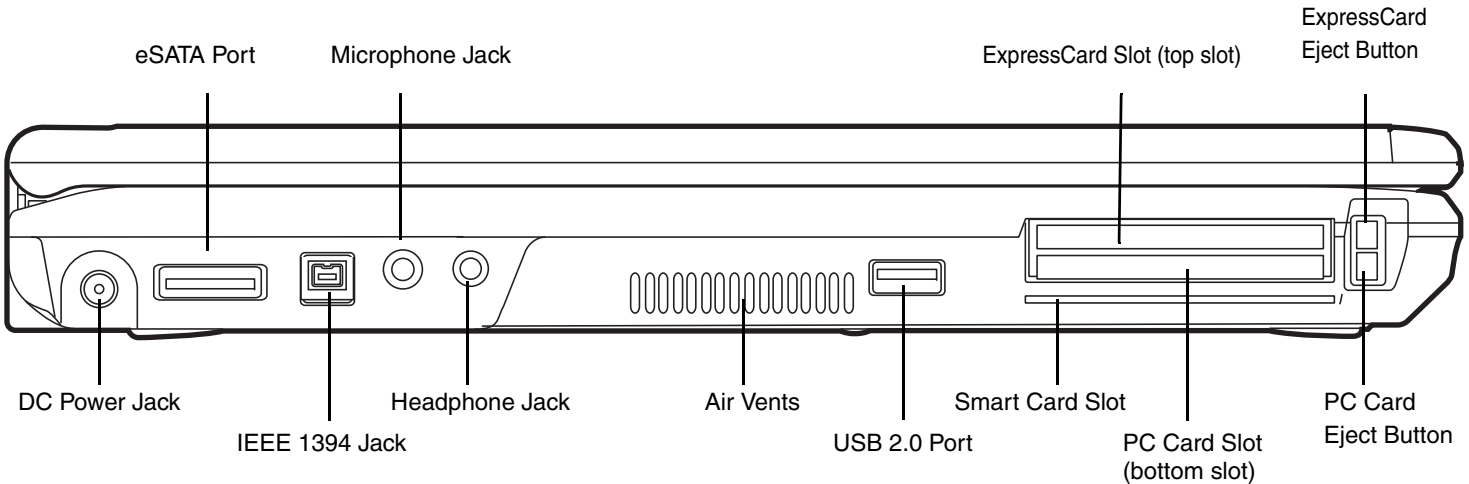


Figure 3. LifeBook notebook left-side panel

Left-Side Panel Components

The following is a brief description of your LifeBook notebook’s left-side components.

eSATA Port

E-SATA (External Serial Advanced Technology Attachment) is an external version of SATA, which connects your computer to the hard drive. SATA is an interface that is much faster than typical IDE interfaces (E-SATA is six times faster than USB 2.0). E-SATA is ideal for backing up large files on an external hard drive. See “*e-SATA Port*” on page 87.

Microphone Jack

The microphone jack allows you to connect an external mono microphone. See “Microphone Jack” on page 90.

ExpressCard Slot

The ExpressCard slot allows you to install an ExpressCard. See “PC Cards/ExpressCards™” on page 76.

ExpressCard Eject Button

The ExpressCard eject button is used for removing an ExpressCard from the slot.

PC Card Eject Button

The PC Card eject button is used for removing a PC Card from the slot.

PC Card Slot

The PC Card Slot accommodates Type I/ Type II PC Cards. See “PC Cards/ExpressCards™” on page 76.

Smart Card Slot

A dedicated Smart Card slot is provided on your notebook. Smart Cards are the same size and shape as credit cards, but they contain an integrated microprocessor chip. See “Smart Card Reader” on page 80. In order to use the embedded Smart Card Reader, you must purchase optional third-party software for installation.

USB 2.0 Ports

The USB 2.0 ports allow you to connect Universal Serial Bus devices. USB 2.0 transfers data at up to 480 Mbps and is backward-compatible with USB 1.1 devices, which transfer data at up to 12 Mbps. See “Universal Serial Bus Ports” on page 88.

Air Vents

The air vents are used to cool the system to prevent overheating.



TO PROTECT YOUR NOTEBOOK FROM DAMAGE AND TO OPTIMIZE PERFORMANCE, BE SURE TO **KEEP ALL AIR ALL VENTS UNOBSTRUCTED, CLEAN, AND CLEAR OF DEBRIS**. THIS MAY REQUIRE PERIODIC CLEANING, DEPENDING UPON THE ENVIRONMENT IN WHICH THE SYSTEM IS USED.

DO NOT OPERATE THE NOTEBOOK IN AREAS WHERE THE AIR VENTS CAN BE OBSTRUCTED, SUCH AS IN TIGHT ENCLOSURES OR ON SOFT SURFACES LIKE A BED OR CUSHION.

Headphone Jack

The headphone jack allows you to connect headphones. See “Headphone Jack” on page 90.

IEEE 1394 (4-pin) Jack

The 4-pin 1394 jack is used to connect between your notebook and an IEEE 1394 peripheral such as a digital video camera. See “IEEE 1394 Port” on page 89.

DC Power Jack

The DC power jack allows you to plug in the AC adapter to power your LifeBook notebook and charge the internal Lithium ion battery.

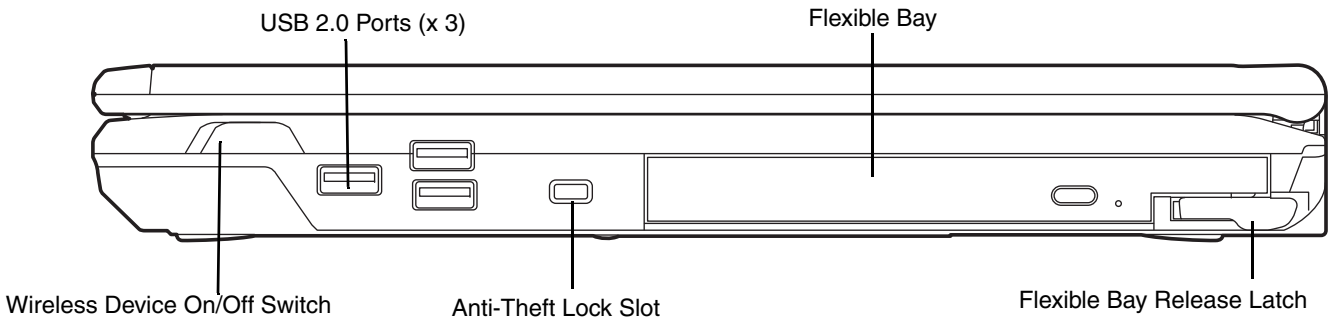


Figure 4. LifeBook notebook right-side panel

Right-Side Panel Components

The following is a brief description of your LifeBook notebook's right-side components.

USB 2.0 Ports

The USB 2.0 ports allow you to connect Universal Serial Bus devices. USB 2.0 transfers data at up to 480 Mbps and is backward-compatible with USB 1.1 devices, which transfer data at up to 12 Mbps. See “Universal Serial Bus Ports” on page 88.

Flexible Bay

The Flexible Bay can accommodate one of the following devices. See “Flexible Bay Devices” on page 36.

- Modular DVD-ROM drive
- Modular Dual-Layer Multi-Format DVD Writer
- Modular Blu-ray® RW drive
- Modular Lithium ion battery
- Modular second hard disk drive
- Weight Saver

Wireless Device On/Off Switch

The wireless device on/off switch is used to turn on and off the optional WLAN, Bluetooth, and Wireless USB devices. Switching the device off when not in use will help to extend battery life. See “Activating the WLAN Device” on page 161.

Anti-theft Lock Slot

The anti-theft lock slot allows you to attach an optional physical lock down device.

Flexible Bay Release Latch

The Flexible Bay release latch releases the Flexible Bay device.

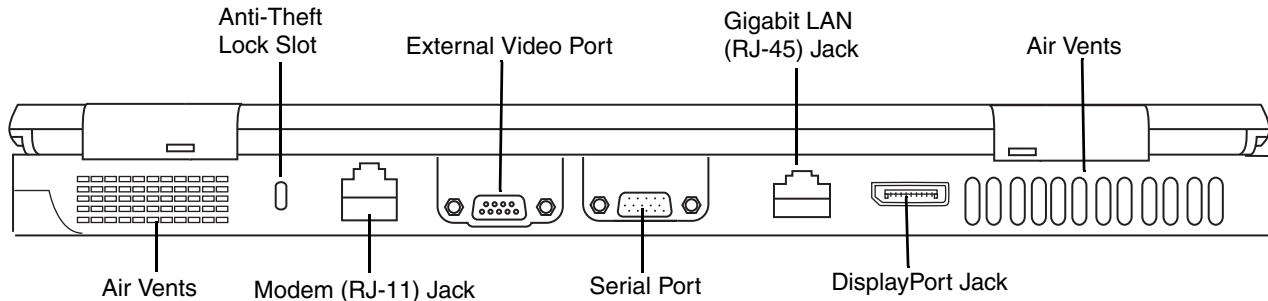


Figure 5. LifeBook notebook back panel

Back Panel Components

Following is a brief description of your LifeBook notebook's back panel components.

Anti-theft Lock Slot

The anti-theft lock slot allows you to attach an optional physical lock down device.

External Video Port

The external monitor port allows you to connect an external monitor or LCD projector. See “External Video Port” on page 91.

Air Vents

The air vents allow air to circulate through the system to cool down the components.



TO PROTECT YOUR NOTEBOOK FROM DAMAGE AND TO OPTIMIZE PERFORMANCE, BE SURE TO **KEEP ALL AIR VENTS UNOBSTRUCTED, CLEAN, AND CLEAR OF DEBRIS**. THIS MAY REQUIRE PERIODIC CLEANING, DEPENDING UPON THE ENVIRONMENT IN WHICH THE SYSTEM IS USED.

DO NOT OPERATE THE NOTEBOOK IN AREAS WHERE THE AIR VENTS CAN BE OBSTRUCTED, SUCH AS IN TIGHT ENCLOSURES OR ON SOFT SURFACES LIKE A BED OR CUSHION.

Gigabit LAN (RJ-45) Jack

The internal LAN (RJ-45) jack is used for an internal Gigabit (10Base-T/100Base-Tx/1000Base-T) Ethernet LAN connection. See “Internal LAN (RJ-45) Jack” on page 86.

Modem (RJ-11) Telephone Jack

The Modem (RJ-11) telephone jack is for attaching a telephone line to the internal multinational 56K modem. See “Modem (RJ-11) Telephone Jack” on page 85.



THE INTERNAL MODEM IS NOT INTENDED FOR USE WITH DIGITAL PBX SYSTEMS. DO NOT CONNECT THE INTERNAL MODEM TO A DIGITAL PBX AS IT MAY CAUSE SERIOUS DAMAGE TO THE INTERNAL MODEM OR YOUR ENTIRE NOTEBOOK. CONSULT YOUR PBX MANUFACTURER'S DOCUMENTATION FOR DETAILS. SOME HOTELS HAVE DIGITAL PBX SYSTEMS. BE SURE TO FIND OUT BEFORE YOU CONNECT YOUR MODEM.



THE INTERNAL MULTINATIONAL MODEM IS DESIGNED TO THE ITU-T V.90/V.92 STANDARD. ITS MAXIMUM SPEED OF 53000 BPS IS THE HIGHEST ALLOWED BY FCC, AND ITS ACTUAL CONNECTION RATE DEPENDS ON THE LINE CONDITIONS. THE MAXIMUM SPEED IS 33600 BPS AT UPLOAD, IN ACCORDANCE WITH FCC REGULATIONS.

FOR ADDITIONAL INFORMATION ABOUT THE MODEM, REFER TO THE FUJITSU WEBSITE AT: US.FUJITSU.COM/COMPUTERS.

Serial Port

The serial port allows you to connect serial RS-232 devices, such as serial printers or serial scanners. See “Serial Port” on page 88.

DisplayPort Jack

This allows you to attach a DisplayPort cable. DisplayPort cables are primarily used to connect a computer with a monitor or home theater system. See “DisplayPort” on page 87.

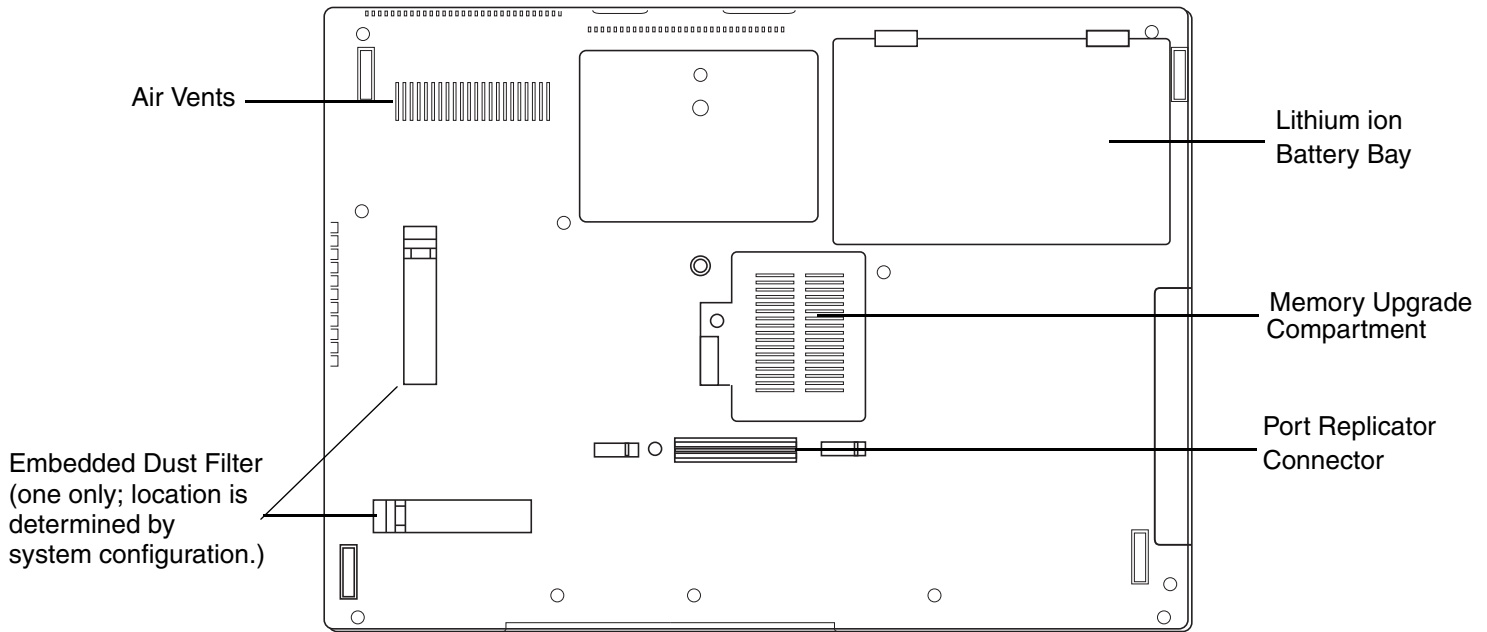


Figure 6. LifeBook notebook bottom panel

Bottom Components

The following is a brief description of your LifeBook notebook's bottom panel components.

Memory Upgrade Compartment

Your notebook comes with high speed Double Data Rate 3 Synchronous Dynamic RAM (DDR3 SDRAM). The memory upgrade compartment allows you to expand the system memory capacity of your notebook, thus improving overall performance. See “Memory Upgrade Module” on page 81. Under normal circumstances, it should not be necessary to open this compartment.

Air Vents

The air vents allow air to circulate through the system to cool down the components.



TO PROTECT YOUR NOTEBOOK FROM DAMAGE AND TO OPTIMIZE SYSTEM PERFORMANCE, BE SURE TO **KEEP ALL AIR ALL VENTS UNOBSTRUCTED, CLEAN, AND CLEAR OF DEBRIS**. THIS MAY REQUIRE PERIODIC CLEANING, DEPENDING UPON THE ENVIRONMENT IN WHICH THE SYSTEM IS USED.

DO NOT OPERATE THE NOTEBOOK IN AREAS WHERE THE AIR VENTS CAN BE OBSTRUCTED, SUCH AS IN TIGHT ENCLOSURES OR ON SOFT SURFACES LIKE A BED OR CUSHION.

Lithium ion Battery Bay

The battery bay contains the internal Lithium ion battery. It can be opened for the removal of the battery when stored over a long period of time or for swapping a discharged battery with a charged Lithium ion battery. See “Lithium ion Battery” on page 62.

Port Replicator Connector

This connector allows you to connect the optional Port Replicator to your notebook.

Dust Filter

The dust filter helps protect your system from dust contamination. See “Cleaning the dust filter cover” on page 119.

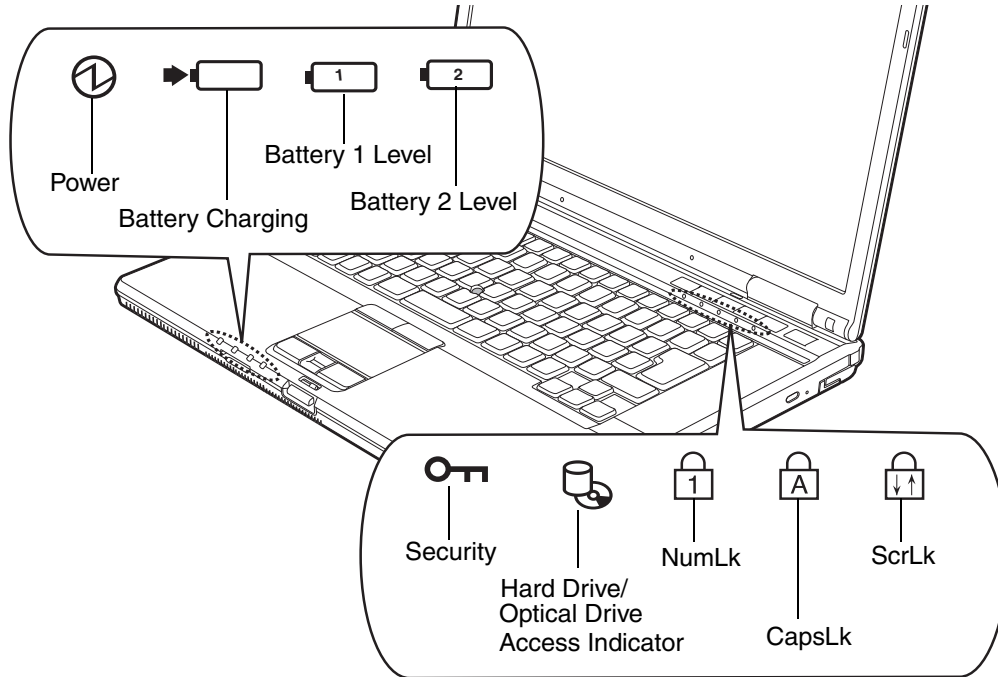


Figure 7. Status Indicator Panel

Status Indicator Panel

The Status Indicators display symbols that correspond to specific components of your Fujitsu LifeBook notebook. The LEDs adjacent to each symbol tell you how each of those components is operating.

Power Indicator

The Power indicator symbol shows whether your system is operational. It has several different states, each of which tells you the mode your notebook is in.

- **Steady On:** This means that there is power to your notebook and that it is ready for use.

- **Flashing:** This means that your notebook is in Standby mode.
- **Steady Off:** This means that your system is either in Save-to-Disk mode, or that your notebook has been turned off.



The battery charge indicator shows the charging status of the battery(s).

- **Orange, solid:** System battery is charging.
- **Green, solid:** System battery is fully charged.
- **Orange, blinking:** System is waiting to charge battery (battery is out of thermal range).
- **Off:** AC adapter is not plugged in.



Note that there are indicators for the primary battery (Battery 1) and an optional second battery (Battery 2.)

The Battery Level indicators display the charge level of the indicated battery pack, as follows:

- **Green, solid:** Battery is between 51% and 100% charged.
- **Orange, solid:** Battery is between 13% and 50% charged.
- **Red, solid:** Battery is 12% or less charged.
- **Orange, blinking:** Blinks during battery status measurement (Four seconds after the battery is installed).
- **Red, blinking:** There is a problem with the battery.
- **Off:** There is no battery installed.



- If the battery pack is installed while the power is turned off, the battery level indicator will display the charge level for five seconds after it blinks orange.
- If the AC adapter is not connected or the battery pack is not fully charged when the computer is switched to standby mode, the indicator will blink. The LED blinks at the rate of one second on/ six seconds off.



- Batteries subjected to shocks, vibration or extreme temperatures can be permanently damaged.
- A shorted battery is damaged and must be replaced.

Security Indicator

The Security Indicator flashes (if a password was set) when the system resumes from Off or Sleep modes. You must enter the password that was set in the Security Panel before your system will resume operation.



Hard Drive/Optical Drive Access Indicator

The Hard Drive/Optical Drive Access indicator glows green when your internal hard drive is being accessed. Note that flickering is normal.



NumLk Indicator

The NumLk indicator shows that the integral keyboard is set in ten-key numeric keypad mode.



CapsLock Indicator

The CapsLock indicator shows that your keyboard is set to type in all capital letters.



ScrLk Indicator

The ScrLk indicator shows that your scroll lock is active.

Keyboard

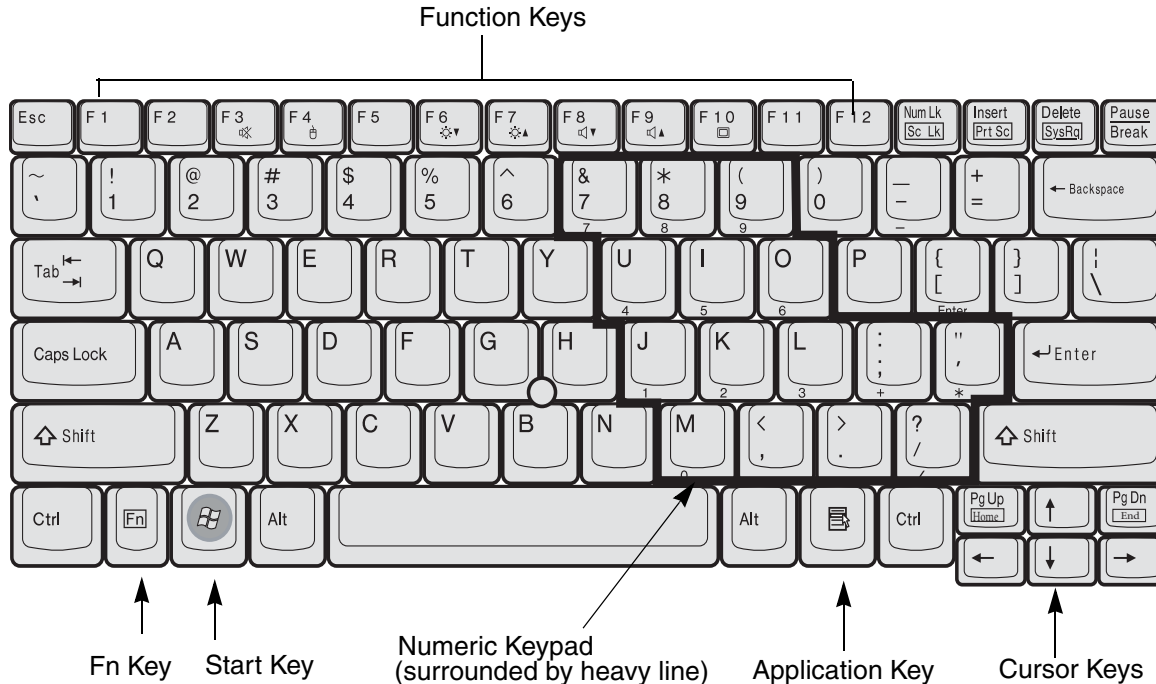


Figure 8. Keyboard

Using the Keyboard

Your Fujitsu LifeBook notebook has an integral 84-key keyboard. The keys perform all the standard functions of a 101-key keyboard, including the Windows keys and other special function keys. This section describes the following keys.

- **Numeric keypad:** Your notebook allows certain keys to serve dual purposes, both as standard characters and as numeric and mathematical keys. The ability to toggle between the standard character and numerical keys is controlled through the [NumLk] key.

- **Cursor keys:** Your keyboard contains four arrow keys for moving the cursor or insertion point to the right, left, up, or down within windows, applications and documents.
- **Function keys:** The keys labeled [F1] through [F12], are used in conjunction with the [Fn] key to produce special actions that vary depending on what program is running.
- **Windows keys:** These keys work with your Windows operating system and function the same as the onscreen Start menu button, or the right button on your pointing device.

Numeric Keypad

Certain keys on the keyboard perform dual functions as both standard character keys and numeric keypad keys. NumLk can be activated by pressing the [NumLk] keys. Turning off the NumLk feature is done the same way. Once this feature is activated you can enter numerals 0 through 9, perform addition (+), subtraction (-), multiplication (*), or division (/), and enter decimal points (.) using the keys designated as ten-key function keys. The keys in the numeric keypad are marked on the front edge of the key to indicate their secondary functions.

Windows Keys

Your LifeBook notebook has two Windows keys, consisting of a Start key and an Application key. The Start key displays the Start menu. This button functions the same as your onscreen Start menu button. The Application key functions the same as your right mouse button and displays shortcut menus for the selected item. (Please refer to your Windows documentation for additional information regarding the Windows keys.)

Cursor Keys

The cursor keys are the four arrow keys on the keyboard which allow you to move the cursor up, down, left and right in applications. In programs such as Windows Explorer, it moves the “focus” (selects the next item up, down, left, or right).

Function Keys

Your LifeBook notebook has 12 function keys, F1 through F12. The functions assigned to these keys differ for each application. You should refer to your software documentation to find out how these keys are used.

- The [Fn] key provides extended functions for the notebook and is always used in conjunction with another key.
- [Fn+F3]: Pressing [F3] while holding [Fn] will toggle the Audio Mute on and off.
- [Fn+F4]: Pressing [F4] while holding [Fn] will toggle the Quick Point feature on and off. Note that the [Fn+F4] combination only works if Manual Setting is selected in the BIOS. (See “BIOS Setup Utility” on page 52)
- [Fn+F6]: Pressing [F6] repeatedly while holding [Fn] will lower the brightness of your display.
- [Fn+F7]: Pressing [F7] repeatedly while holding [Fn] will increase the brightness of the display.
- [Fn+F8]: Pressing [F8] repeatedly while holding [Fn] will decrease the volume of your LifeBook notebook.
- [Fn+F9]: Pressing [F9] repeatedly while holding [Fn] will increase the volume of your LifeBook notebook.
- [Fn+F10]: Pressing [F10] while holding [Fn] allows you to change your selection of where to send your display video. Each time you press the combination of keys you will step to the next choice. The choices, in order, are: built-in display panel only, external monitor only, and both built-in display panel and external monitor.

Touchpad Pointing Device

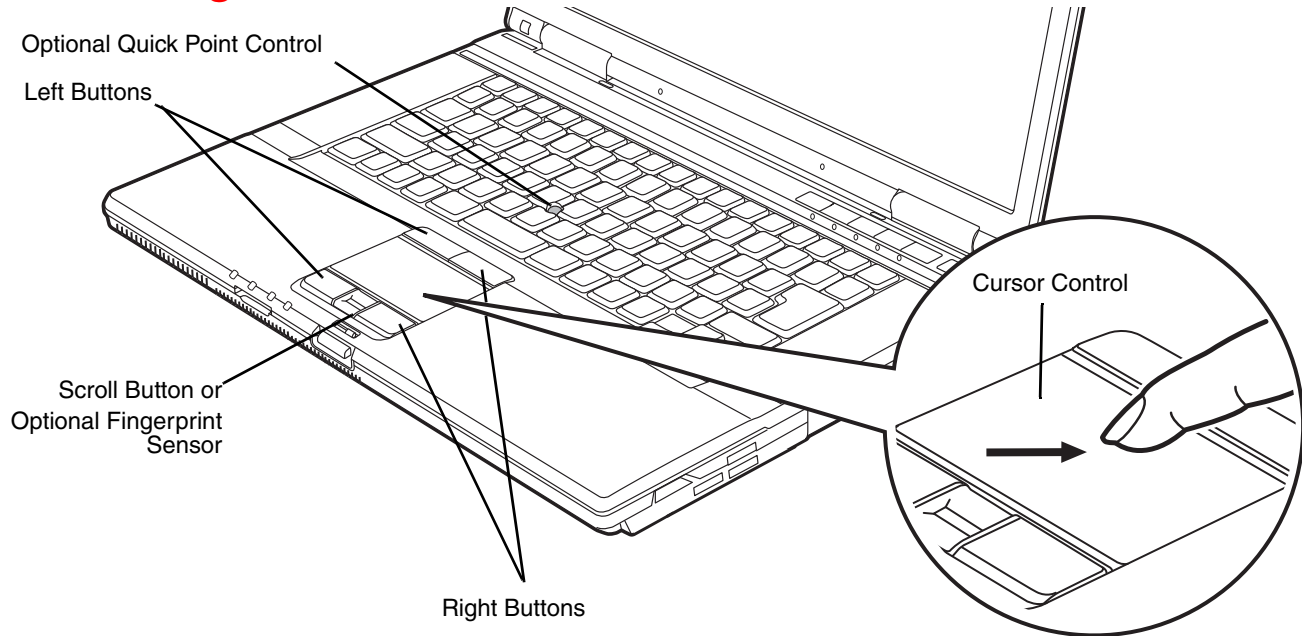


Figure 9. Touchpad pointing device

The Touchpad pointing device comes built into your Fujitsu LifeBook notebook. It is used to control the movement of the pointer to select items on your display panel. The Touchpad is composed of a cursor control, two left and right buttons, and a scrolling button.

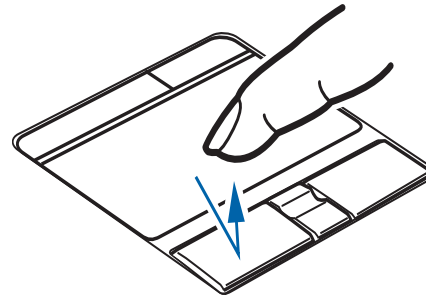
The cursor control works the same way a mouse does, and moves the cursor around the display. It only requires light pressure with the tip of your finger. The left and right buttons function the same as mouse buttons. Note that the left and right buttons that are located at the top of the Touchpad are designed for use with the optional Quick Point Control, and they function in the same manner as the lower buttons. The actual functionality of the buttons may vary depending on the application that is being used. The scrolling button allows you to navigate quickly through pages, without having to use the scroll bars.



- CERTAIN E780 LIFEBOOK NOTEBOOKS ARE EQUIPPED WITH AN OPTIONAL “QUICK POINT” BUTTON FOR MOVING THE CURSOR. FOR MORE INFORMATION ABOUT QUICK POINT, SEE “OPTIONAL QUICK POINT FEATURE” ON PAGE 34.
- THE SCROLLING BUTTON MAY BE REPLACED BY AN OPTIONAL FINGERPRINT SENSOR. FOR INFORMATION ON USING THE OPTIONAL FINGERPRINT SENSOR, REFER TO “FINGERPRINT SENSOR DEVICE” ON PAGE 99.
- AN EXTERNAL MOUSE CAN BE CONNECTED TO EITHER THE USB OR PS/2 PORTS ON YOUR LIFEBOOK NOTEBOOK OR THE OPTIONAL PORT REPLICATOR, AND USED SIMULTANEOUSLY WITH THE TOUCHPAD. HOWEVER, IF YOU BOOT THE SYSTEM WITH AN EXTERNAL MOUSE CONNECTED THE TOUCHPAD WILL BE DISABLED OR ENABLED DEPENDING ON THE SPECIFICATIONS IN YOUR BIOS SETTINGS. SEE “BIOS SETUP UTILITY” ON PAGE 52.

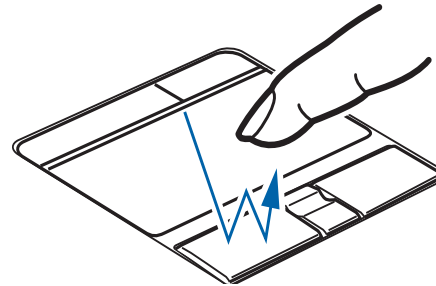
Clicking

Clicking means pushing and releasing a button. To left-click, move the cursor to the item you wish to select, press the left button once, and then immediately release it. To right-click, move the mouse cursor to the item you wish to select, press the right button once, and then immediately release it. You also have the option to perform the clicking operation by tapping lightly on the Touchpad once.



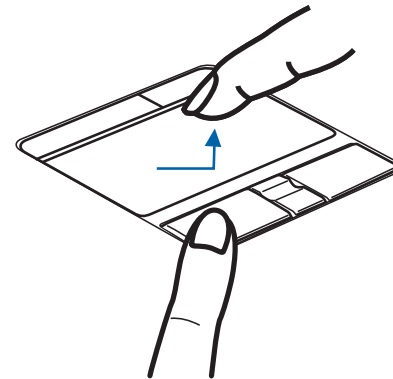
Double-Clicking

Double-clicking means pushing and releasing the left button twice in rapid succession. This procedure does not function with the right button. To double-click, move the cursor to the item you wish to select, press the left button twice, and immediately release it. You can also perform the double-click operation by tapping lightly on the Touchpad twice.



Dragging

Dragging means pressing and holding the left button, while moving the cursor. To drag, move the cursor to the item you wish to move. Press and hold the left button while moving the item to its new location and then release it. Dragging can also be done using the Touchpad. First, tap the Touchpad twice over the item you wish to move making sure to leave your finger on the pad after the final tap. Next, move the object to its new location by moving your finger across the Touchpad, and then release your finger.



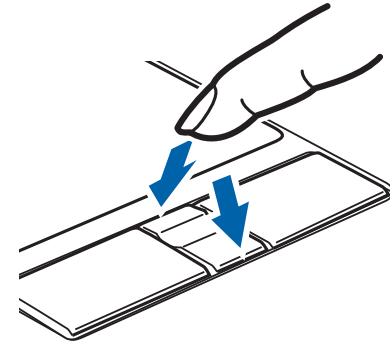
Touchpad Control Adjustment

The Windows Control Panel allows you to customize your Touchpad with selections made from within the Mouse Properties dialog box.

Scrolling

Using the Scrolling button allows you to navigate through a document quickly without using the window's scroll bars. This is particularly useful when you are navigating through on-line pages. To use the Scrolling button, press the crescent shape at the top or bottom of the button to scroll up or down a page. When you have reached the desired section of the page, release the button.

If your system has the optional fingerprint sensor in place of the scrolling button, it can be used for scrolling by moving your finger up and down over its surface. See “Appendix B: Fingerprint Sensor Device” on page 170.

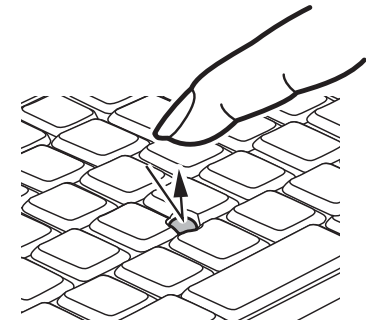


Optional Quick Point Feature

The optional Quick Point device consists of a cursor control button at the lower center of the keyboard. It is roughly the same size and shape as a pencil eraser. The cursor control works the same way a mouse ball does, and moves the cursor around the display. It only requires light pressure to move; the more pressure you use, the faster the cursor will move.

The left and right buttons that are located at the top of the Touchpad are designed for use with the Quick Point control, and they function in the same manner as the lower buttons.

When used with the Quick Point button, the middle Touchpad button allows you to scroll up and down a screen.



Volume Control

Your Fujitsu LifeBook notebook has multiple volume controls which interact with each other.



ANY SOFTWARE THAT CONTAINS AUDIO FILES WILL ALSO CONTAIN A VOLUME CONTROL OF ITS OWN. IF YOU INSTALL AN EXTERNAL AUDIO DEVICE THAT HAS AN INDEPENDENT VOLUME CONTROL, THE HARDWARE VOLUME CONTROL AND THE SOFTWARE VOLUME CONTROL WILL INTERACT WITH EACH OTHER. IT SHOULD BE NOTED THAT IF YOU SET YOUR SOFTWARE VOLUME TO OFF, YOU WILL OVERRIDE THE EXTERNAL VOLUME CONTROL SETTING.

Controlling the Volume

The volume can be controlled in several different ways:

- Volume can be changed or muted from within the Volume Control in the system tray.
- Volume can be controlled with the F8 and F9 functions keys. Pressing [F8] repeatedly while holding [Fn] will decrease the volume of your notebook. Pressing [F9] repeatedly while holding [Fn] will increase the volume of your notebook.
- Volume can be muted by pressing the [F3] key while holding down the [Fn] key. To restore audio, repeat the [Fn+F3] procedure.
- Volume can be controlled by many volume controls that are set within individual applications.
- Certain external audio devices you might connect to your system may have hardware volume controls.

Each source discussed above puts an upper limit on the volume level that must then be followed by the other sources.

We recommend that you experiment with the various volume controls to discover the optimal sound level.

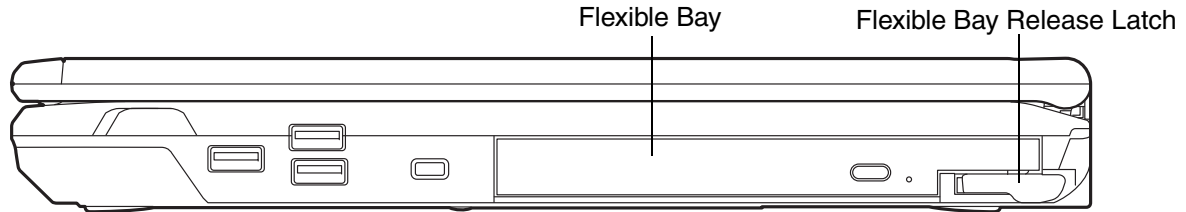


Figure 10. Flexible Bay

Flexible Bay Devices

Your Fujitsu LifeBook notebook contains a Flexible Bay. The Flexible Bay can house an optical drive, a Lithium ion battery, a modular second hard disk drive, or a weight saver.

Your Flexible Bay will have one of the following devices installed.

- **Modular Dual-Layer Multi-Format DVD Writer:** This allows you to access movies, software, and audio DVD/CDs and record to DVD, CD, and DVD-RAM discs.
- **Modular Blu-ray® RW drive:** This allows you to access movies, software, and audio DVD/CDs and Blu-ray discs as well as to write to Blu-ray discs.
- **Modular DVD-ROM drive:** This allows you to access software, data, or audio from CDs or DVDs.
- **Modular second hard disk drive.**
- **Modular Lithium ion battery:** This is a rechargeable battery that can be used to power your LifeBook notebook when an adapter is not connected.
- **Weight Saver:** This is used to fill the bay when no device is needed.

Removing and Installing Modular Devices

There are two ways to remove and install modular devices in the Flexible Bay:

- **Cold-swapping:** swapping devices while your LifeBook notebook is powered off.
- **Hot-swapping:** swapping devices while your system is active using the Safely Remove Hardware icon from your system tray.

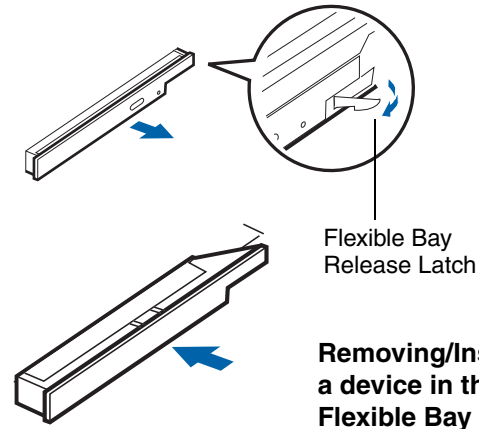


YOU SHOULD NEVER LEAVE YOUR FLEXIBLE BAY EMPTY WHEN THE NOTEBOOK IS IN OPERATION. IF LEFT EMPTY, DUST OR FOREIGN MATTER MAY ACCUMULATE INSIDE THE NOTEBOOK.

Cold-swapping

To cold-swap modular devices in your Flexible Bay follow these easy steps:

- 1 Close any open files.
- 2 Shut down your LifeBook notebook.
- 3 Pull out the Flexible Bay release latch. This will push your device out slightly, allowing you to remove it.
- 4 Slide your device out until it is clear of the bay. This will require light force.
- 5 Slide the device you are installing into your notebook until it clicks into place.
- 6 It is now safe to turn your notebook back on.
- 7 You can now access and use the device.



Your LifeBook notebook will automatically detect the new device and activate it within your system. The drive letters associated with the device will be created and listed under My Computer and Windows Explorer.

Hot-swapping

Hot-swapping is provided through the Safely Remove Hardware utility. The icon for the utility appears in the system tray. Click on the icon and follow the on-screen instructions.

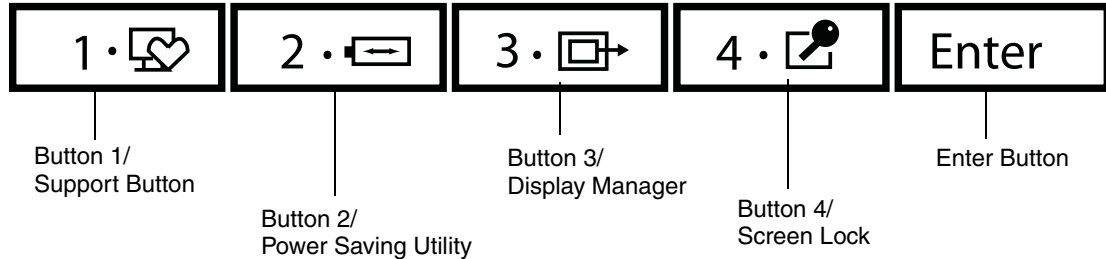


Figure 11. LifeBook Security/Application Panel

LifeBook Security/Application Panel

A unique feature of your LifeBook notebook is the Security/Application Panel that allows you to secure your notebook from unauthorized use. The Security/Application Panel also allows you to launch applications with the touch of a button when your system is on.

If the security system is activated, upon starting your notebook or resuming from suspend mode the security system requires you to enter a password code using the buttons on the Security/Application Panel. After entering a correct password, your notebook resumes system operation.

Setting up Your LifeBook Security Panel

When you receive your LifeBook notebook, the security panel application is pre-installed without any passwords. The following sections provide detailed information on your security panel, and how to set, change or remove passwords.

Numbered Buttons

Use these buttons to enter your password.

Enter Button

After entering the button strokes, push this button to enter the password into the LifeBook notebook.

Passwords

The user and supervisor password may be set on this notebook. A supervisor password is typically the same for all LifeBook notebooks in a working group, office, or company to allow for system management. Individual LifeBook notebooks in a group environment should not use a common password. A password consists of one to five button strokes plus the [Enter] button. A valid stroke consists of pushing one or up to four buttons simultaneously. The following are valid button strokes:

- Pushing [4] by itself
- Pushing [2] and [3] at the same time
- Pushing [1], [2], and [4] at the same time
- Pushing [1], [2], [3], and [4] at the same time

The following are valid passwords. The numbers within braces ({ }) are button strokes using more than one button.

- {[2]+[3]}, [1], [enter]
- [4], [enter]
- {[1]+[3]}, {[2]+[3]+[4]}, [1], [4], [2], [enter]

Setting Passwords

When shipped from the factory, no passwords are set. You have a choice of having no password or setting supervisor and user passwords. You must set the supervisor password before the user password.



THE PURPOSE OF SUPERVISOR PASSWORD IS TO BE ABLE TO BYPASS THE USER PASSWORD IN CASE THE USER PASSWORD IS FORGOTTEN. THE SUPERVISOR PASSWORD ALONE WILL NOT LOCK THE SYSTEM. YOU MUST SET BOTH THE SUPERVISOR AND USER PASSWORDS FOR THE SECURITY PANEL TO WORK.

Setting Supervisor Password

You must have set a supervisor password before setting any user passwords. The supervisor password can bypass the user password. Depending upon your operating system, use the appropriate procedure below.

- 1 Go to the Start menu.
- 2 Select All Programs.
- 3 Select Accessories, then select Run.
- 4 Type in: C:\Program Files\Fujitsu\Security Panel Application\Supervisor\FJSECS.EXE, then press [Enter]
- 5 Follow the on-screen instructions to set the Supervisor password.

Setting User Password

- 1 Go to the Start menu.
- 2 Select All Programs.
- 3 Select Security Panel Application and Set User Password.
- 4 Follow instructions to set the user password.



YOU MAY CHANGE OR REMOVE THE SUPERVISOR OR USER PASSWORD BY REPEATING THE STEPS DEFINED ABOVE.

Operating Your LifeBook Security/Application Panel

The security lock feature is in effect both when the system resumes from Off or suspend state. You will need to enter the user password right after pressing the Suspend/Resume button. Your system will not boot or resume from Sleep without entering your supervisor/user password.

From Off State

- 1 Turn on your system.
- 2 When the Security Indicator flashes, enter the password and press [Enter] button. For example, if the password is 22222, press button number [2] five times and press [Enter] button.

- 3 The notebook will boot to normal operation.

From Suspend State

- 1 Press your Power/Suspend/Resume button.
- 2 When the Security Indicator flashes, enter the password and press [Enter] button.
- 3 The notebook should resume normal operation.

Incorrect Password Entry

If an invalid supervisor or user password is entered three times in succession, the system will “beep” for about one minute. If a valid password is entered within a minute (while system beeps), the beeping will stop and the notebook will resume normal operation. If no password (or an invalid one) is entered while the system beeps, the system will return to its previous locked state (suspend or off) and the Security Indicator will go off. To reactivate the notebook after a password failure, you must press the Power/Suspend/Resume button, then enter a correct password.



REMEMBER THE USER PASSWORD YOU SPECIFIED ON THE SECURITY PANEL APPLICATION. IF YOU FORGET THE PASSWORD YOU WILL NOT BE ABLE TO USE YOUR COMPUTER. THE SUPERVISOR PASSWORD CAN OVERRIDE THE USER PASSWORD.

Precautions

Opening and Closing the Cover

Closing the cover automatically places the notebook into suspend mode. Opening the cover does not automatically place the notebook into normal operation. Instead, you must enter the proper security password after pushing the Power/Suspend/Resume button. This setting can be changed in the Power Options Control Panel.

Low Battery Operations

If your LifeBook notebook has low battery, pushing the Power/Suspend/Resume button only turns on the Security Indicator. Your notebook does not unlock, the Security Indicator turns off after one minute. To resume normal operation, first attach a power supply to the notebook. Then you may unlock the notebook.

Uninstalling the Security Panel Application

You have two options when uninstalling the security panel application:

- Uninstall the security panel application software. This will disable all security features.
- Uninstall security panel application with password still active. This won't allow any password changes.

Uninstalling the Security Panel Application

Remove passwords when the User wants no password protection whatsoever and doesn't want to give anybody the utility to set a password on their computer. In this case, if passwords (supervisor, user, or both) are set, the passwords must first be cleared BEFORE removing the application. To clear passwords, follow same procedure in "Setting Passwords" except this time, select [Remove], enter current password then click [Next]. When asked to confirm, select [Yes].

Removing Security Panel Application with Passwords Still Active

Using this feature will not allow any changes to the password. Depending upon your operating system, the procedures differ slightly, as noted below.



REMOVING THE APPLICATIONS DOES NOT REMOVE THE PASSWORD. IT SIMPLY REMOVES THE UTILITY TO CHANGE/ADD/REMOVE PASSWORDS. TO CHANGE A PASSWORD YOU MUST REINSTALL THE APPLICATION.

User:

- 1 Go to **Start Menu**, Click on **Control Panel**.
- 2 Open **Add or Remove Programs** (In Vista: **Programs and Features**) in the Control Panel.
- 3 Select the **Security Panel Application** (In Vista: **Security Panel**) in the list, and click **Add/Remove**.
- 4 When the Confirm File Deletion box appears, click **Yes**.

Supervisor:

- 1 Go to **Start Menu**, Click on **Control Panel**.
- 2 Depending upon your operating system, do one of the following:
Open **Add/Remove Programs Properties** in the Control Panel, or,
Click on **Programs > Uninstall a Program** or **Programs and Features**.

- 3 Select the **Security Panel Application for Supervisor** (In Vista: **Security Panel for Supervisor**) in the list, and click **Add/Remove** or **Uninstall/Change**.
- 4 When the Confirm File Deletion box appears, click **Yes**.

Reinstalling the Security/Application Panel

To reinstall supervisor or user security application, you will need your Drivers and Applications CD. The **Utilities/Security Application Panel** folder contains two separate folders: **Supervisor** and **User**. The setup files for supervisor and user security applications are contained in those folders.

- 1 Go to the **Utilities/Security Application Panel/Supervisor** folder on the CD and double-click the **setupS.exe** file. (In Vista, the path is: **Utilities/SAP/Vista/Supervisor/SetupS.exe**). The Installing Security Panel Application window will appear. Follow the instructions on the screen.
- 2 Go to the **Utilities/Security Application Panel/User** folder on the CD and double-click the **setup.exe** file. (In Vista, the path is: **Utilities/SAP/Vista/Setup.exe**) The Installing Security Panel Application window will appear. Follow the instructions on the screen.

Supervisor and user passwords can be set via Windows software using the FJSECS.exe and FJSECU.exe files, respectively. FJSECU.exe for the user password cannot run without first setting a supervisor password. You need to run FJSECS.exe first to set the supervisor password. Follow instructions under Setting Passwords on page 39.

If you forget both passwords, contact Fujitsu America Service and Support at 1-800-8FUJITSU (1-800-838-5487). Fujitsu America charges a service fee for unlocking a password restricted LifeBook notebook. When calling please have a valid credit card and provide proof of ownership. You will then be given instructions on where to ship your notebook.

Launching Applications with the Security/Application Panel

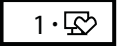
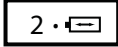
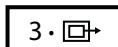
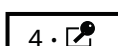
The security panel also enables you to launch applications with the touch of a button when your system is on. Pressing any of the buttons will launch a pre-defined or user-defined application. Your notebook is pre-installed with software utilities that let you operate and configure your LifeBook Security/Application Panel. These utilities are found in the Start menu, under **Settings > Control Panel > Application Panel** (or **Button**, in Windows Vista and Windows 7). They include **Support, ECO, Presentation, and Lock this computer**.

Configuring your LifeBook Application Panel

When you start Windows, the LifeBook Application Panel is automatically activated. As an application launcher, the LifeBook Application Panel is very flexible, giving you a variety of options. To set up the Panel to best suit your needs, we have provided the Application Panel Setup utility that quickly and easily helps you make the most of this valuable feature.

To configure your LifeBook Application Panel with Application Panel Setup:

- 1 Click on [Start] > **Settings** > **Control Panel** > **Application Panel** (or **Button**, in Windows Vista).
- 2 The Application Panel Setup (or Button Setting in Windows Vista) utility will appear. There are tabs that correspond to the application buttons on the LifeBook Application Panel. When you receive your notebook, these buttons are pre-configured to launch specific programs, as follows:

Button Label	Button Name	Default Action
	Button 1 / Support	When pressed, this button opens the Fujitsu Support Center.
	Button 2 / ECO	When pressed, this button allows you to enter the power saving utility.
	Button 3 / Presentation	When pressed, this button opens the Fujitsu Display Manager, which lets you switch screen display settings.
	Button 4 / Lock this computer	When pressed, this button automatically locks your computer.

To change an application associated with the Application buttons, click on the tab for the button you would like to reconfigure – for example, Support. Click on [Application registration...] from Start Menu, scroll down the list of applications, click on the application you wish to launch with the Support button, and then click [Next]. In the next screen, select whether you want a sound to play when the selected program starts up. Click [Next], then click [Finish]. The button will now launch the new application.

When you have finished with Application Panel Setup click OK, and the new settings will take effect. You can reconfigure your LifeBook Application Panel as often as you like.

Deactivating and Activating the LifeBook Application Panel

To deactivate the LifeBook Application Panel, follow these easy steps. (Note that in Windows Vista systems, the application panel is automatically activated):

- 1 Click on **Start**.
- 2 Click on **Programs**.
- 3 Click on **LifeBook Application Panel**.
- 4 Click on **Stop Application Panel**.

To reactivate, follow the same procedure, except for step 4. Click on **Restart Application Panel** instead.



EVERY TIME YOU START WINDOWS THE LIFEBOOK APPLICATION PANEL IS ACTIVATED, EVEN IF YOU DEACTIVATED IT BEFORE YOU SHUT DOWN.

Chapter 2

Getting Started with Your LifeBook

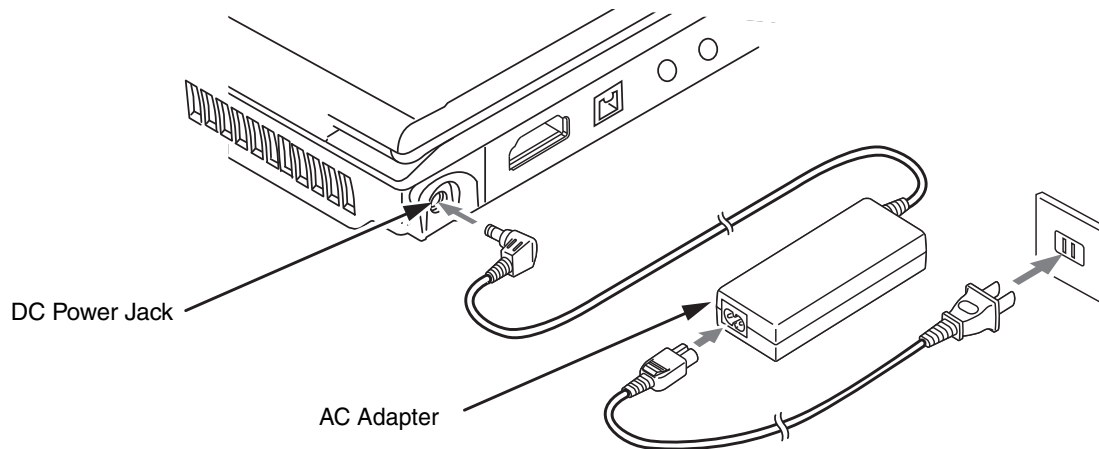


Figure 12. Connecting the AC Adapter

Power Sources

Your Fujitsu LifeBook notebook has three possible power sources: a primary Lithium ion battery, an AC adapter or an optional Auto/Airline adapter.

Connecting the Power Adapters

The AC adapter or optional Auto/Airline adapter provides power for operating your notebook and charging the batteries.

Connecting the AC Adapter

- 1 Plug the DC output cable into the DC power jack of your LifeBook notebook.
- 2 Plug the AC adapter into an AC electrical outlet.

Connecting the Optional Auto/Airline Adapter

- 1 Plug the DC output cable into the DC power jack on your notebook.
- 2 Plug the Auto/Airline adapter into the cigarette lighter of an automobile with the ignition key in the On or Accessory.
OR
- 3 Plug the Auto/Airline adapter into the DC power jack on an airplane seat.

Switching from AC Adapter Power or the Auto/Airline Adapter to Battery Power

- 1 Be sure that you have at least one charged battery installed.
- 2 Remove the AC adapter or the Auto/Airline adapter.



THE LITHIUM ION BATTERY IS NOT CHARGED UPON PURCHASE. INITIALLY, YOU WILL NEED TO CONNECT EITHER THE AC ADAPTER OR THE AUTO/AIRLINE ADAPTER TO USE YOUR NOTEBOOK.

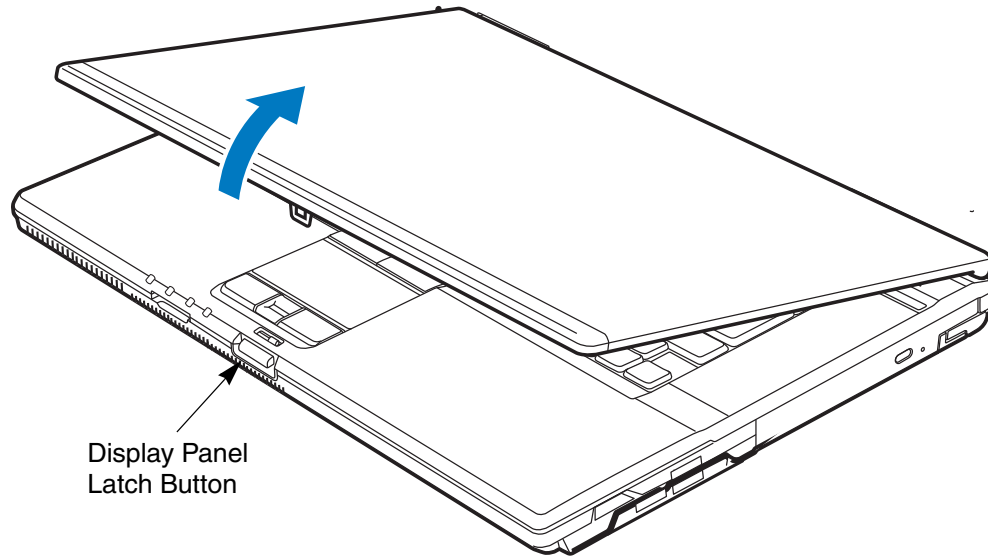


Figure 13. Opening the Display Panel

Display Panel

Your Fujitsu LifeBook notebook contains a display panel that is backlit for easier viewing in bright environments and maintains top resolution through the use of active-matrix technology.

Opening the Display Panel

- 1** Press the Display Panel latch in. This releases the locking mechanism, allowing you to raise the display.
- 2** Lift the display backwards, being careful not to touch the screen, until it is at a comfortable viewing angle.

Adjusting Display Panel Brightness

Once you have turned on your notebook, you may want to adjust the brightness level of the screen to a more comfortable viewing level. In Windows XP systems, the brightness can be adjusted using the keyboard. In Windows Vista and Windows 7 systems, there are three ways to adjust the brightness, by using the keyboard, the Power Options, or the Windows Mobility Center.



NOTE THAT WHEN YOU CHANGE THE DISPLAY SETTINGS IN WINDOWS XP SYSTEMS, THE CHANGES WILL BE RETAINED AFTER STANDBY AND RESTART. IN WINDOWS VISTA SYSTEMS, THE CHANGED SETTINGS ARE TEMPORARY BY DEFAULT, BUT THEY CAN BE MADE PERMANENT BY USING THE POWER OPTIONS UTILITY IN THE CONTROL PANEL.

Using the Keyboard

Adjusting the brightness using the keyboard changes the setting only temporarily in Windows Vista.

- [Fn+F6]: Pressing repeatedly will lower the brightness of your display.
- [Fn+F7]: Pressing repeatedly will increase the brightness of the display.

Using the Power Options (Windows Vista/7)

To change the brightness using the Power Options utility, open the Control Panel and click on the **Power Options** icon. Select **Adjust the display brightness** in the left panel, then drag the brightness bars to the desired level. Note The settings you make via this utility are permanent until you change them again.

Using the Windows Mobility Center (Windows Vista/7)

In the Control Panel, click the **Windows Mobility Center** icon. Drag the **Display Brightness** bar to the desired level.

Using Power Management to Control Brightness (Windows 7)

To adjust brightness with the power management utility in Windows 7:

Click Start -> **Control Panel**. In **View by:**, select one of the icon views. Select **Display**, then click **Adjust brightness** in left pane. Drag the **Screen brightness:** slider left or right, to suit your preference.



- WHEN USING AC POWER YOUR BRIGHTNESS SETTING IS SET TO ITS HIGHEST LEVEL BY DEFAULT. WHEN USING BATTERY POWER THE SETTING IS SET TO APPROXIMATELY MID-LEVEL BY DEFAULT.
- THE HIGHER THE BRIGHTNESS LEVEL, THE MORE POWER THE NOTEBOOK WILL CONSUME AND THE FASTER YOUR BATTERIES WILL DISCHARGE. FOR MAXIMUM BATTERY LIFE, MAKE SURE THAT THE BRIGHTNESS IS SET AS LOW AS POSSIBLE.

Closing the Display Panel

- 1** Holding the edge of your display panel, pull it forward until it is flush with the body of your LifeBook notebook.
- 2** Push down until you hear a click. This will engage the locking mechanism and prevent your display panel from opening unexpectedly.

Starting Your LifeBook Notebook

Power On

Power/Suspend/Resume Button

The Power/Suspend/Resume button is used to turn on your LifeBook notebook from its off state. Once you have connected your AC adapter or charged the internal battery, you can power on your notebook.



WHEN YOU TURN ON YOUR LIFEBOOK NOTEBOOK BE SURE YOU HAVE A POWER SOURCE. THIS MEANS THAT AT LEAST ONE BATTERY IS INSTALLED AND CHARGED, OR THAT THE AC OR AUTO/AIRLINE ADAPTER IS CONNECTED AND HAS POWER.

To turn on your LifeBook notebook from its off state, press the Power/Suspend/Resume button, located above the keyboard to the right. When you are done working you can either leave your notebook in Suspend mode (see “Sleep Mode” on page 57), or you can turn it off (see “Powering Off” on page 60)



DO NOT CARRY YOUR LIFEBOOK NOTEBOOK AROUND WITH THE POWER ON OR SUBJECT IT TO SHOCKS OR VIBRATION, AS YOU RISK DAMAGING YOUR NOTEBOOK.

When you power on your LifeBook, it will perform a Power On Self Test (POST) to check the internal parts and configuration for correct functionality. If a fault is found, your LifeBook notebook will emit an audio warning and/or an error message will be displayed. See “Power On Self Test Messages” on page 105. Depending on the nature of the problem, you may be able to continue by starting the operating system or by entering the BIOS setup utility and revising the settings. After satisfactory completion of the POST, your notebook will load your operating system.



NEVER TURN OFF YOUR NOTEBOOK DURING THE POWER ON SELF TEST (POST) OR IT WILL CAUSE AN ERROR MESSAGE TO BE DISPLAYED WHEN YOU TURN YOUR NOTEBOOK ON THE NEXT TIME. See “Power On Self Test Messages” on page 105

Boot Sequence

The procedure for starting-up your notebook is termed the Bootup sequence and involves your notebook's BIOS. When your LifeBook notebook is first turned on, the main system memory is empty, and it needs to find instructions to start up your notebook. This information is in the BIOS program. Each time you power up or restart your notebook, it goes through a boot sequence which displays a Fujitsu logo until your operating system is found. During booting, your notebook is performing a standard boot sequence including a Power On Self Test (POST). When the boot sequence is completed without a failure and without a request for the BIOS Setup Utility, the system displays the operating system's opening screen.

The boot sequence is executed when:

- You turn on the power to your LifeBook notebook.
- You restart your notebook from the Windows Shut Down dialog box.
- The software initiates a system restart. Example: When you install a new application.

Hard Disk Drive Passwords

To provide additional security for your data, you can assign passwords to your hard disk drive(s). This feature is managed in the BIOS Setup Utility. See *BIOS Setup Utility* below for related information.



REMEMBER YOUR PASSWORDS. IF YOU SET AND FORGET YOUR USER AND MASTER HARD DISK PASSWORDS, FUJITSU AMERICA WILL NOT BE ABLE TO RESET IT. YOU MAY LOSE DATA AND HAVE TO REPLACE YOUR SYSTEM BOARD OR HARD DISK DRIVE.

BIOS Setup Utility

The BIOS Setup Utility is a program that sets up the operating environment for your LifeBook notebook. Your BIOS is set at the factory for normal operating conditions, therefore there is no need to set or change the BIOS' environment to operate your notebook.

The BIOS Setup Utility configures:

- Device control feature parameters, such as changing I/O addresses and boot devices.
- System Data Security feature parameters, such as passwords.

Entering the BIOS Setup Utility

To enter the BIOS Setup Utility do the following (or use the TrustedCore Menu, as detailed in the next section):

- 1 Turn on or restart your LifeBook notebook.
- 2 To enter the BIOS Setup Utility, press the [F2] key once the Fujitsu logo appears on the screen. This will open the main menu of the BIOS Setup Utility with the current settings displayed.
- 3 Press the [RIGHT ARROW] or [LEFT ARROW] key to scroll through the other setup menus to review or alter the current settings.

Using the TrustedCore Menu

When the Fujitsu logo appears on the screen, press the [Enter] key or click on the left mouse or touchpad button; the TrustedCore Menu will appear.

The TrustedCore Menu provides shortcuts to the following menus and information screens:

- BIOS Setup
- Diagnostic Screen
- Boot Menu
- Patent Information
- System Information
- Continue Booting

Clicking on any of the fields will invoke the screen, information, or action described.

The Boot Menu can also be invoked by pressing the [F12] key when the Fujitsu logo appears on the screen.

BIOS Guide

A guide to your notebook's BIOS is available online. Please visit our service and support website at <http://www.computers.us.fujitsu.com/support> In the Online Support section, click on User's Guides. Select your Product, Series, and Model, then click [Go].

Booting the System

We strongly recommend that you not attach any external devices and do not put a disc in your drive until you have gone through the initial power on sequence.

When you turn on your notebook for the first time, it will display a Fujitsu logo on the screen. If you do nothing the system will load the operating system, and then the Windows Welcome will begin.

Starting Windows the first time



THE FIRST TIME YOU INITIALIZE YOUR WINDOWS SYSTEM, THE SCREEN WILL BE BLANK FOR APPROXIMATELY TWO MINUTES. THIS IS NORMAL. AFTER INITIALIZATION, A “SET UP WINDOWS” DIALOG BOX WILL APPEAR.

IMPORTANT: DURING THE SETUP PROCEDURE, DO NOT DISCONNECT THE POWER SUPPLY, PRESS ANY BUTTONS, OR USE ANY PERIPHERAL DEVICES SUCH AS A MOUSE, KEYBOARD, OR REMOTE CONTROL.

In order to ensure that you receive the most benefits from the Windows operating system, it should be registered the first time you use it.

1 First of all, you will need to read and accept the End User License Agreements (EULAs).



- IF YOU REJECT THE TERMS OF THE LICENSE AGREEMENTS YOU WILL BE ASKED TO REVIEW THE LICENSE AGREEMENTS FOR INFORMATION ON RETURNING WINDOWS OR TO SHUT DOWN YOUR LIFEBOOK TABLET PC.
- YOU CANNOT USE YOUR TABLET PC UNTIL YOU HAVE ACCEPTED THE LICENSE AGREEMENTS. IF YOU STOP THE PROCESS YOUR TABLET PC WILL RETURN TO THE BEGINNING OF THE WINDOWS WELCOME PROCESS, EVEN IF YOU SHUT YOUR TABLET PC DOWN AND START IT UP AGAIN.

2 You will be prompted to enter your User Name and Password and you will be given a chance to select an icon for your account.

3 The next screen asks for a Computer Name and allows you to choose a desktop background.

- 4 You will next see a "Help protect Windows automatically" screen in which the default choice is "Use recommended settings". The other two choices are "Install important updates only" and "Ask me later". Select from the three choices.
- 5 On the next screen set your time and date settings.
- 6 You will next see the "Select your computer's current location" screen. Make your selection from Home, Work (Default), and Public location.
- 7 The "Thank you" screen follows and an offer for free Norton Internet Security is extended. Following are several screens while Windows checks the system performance.
- 8 Windows will then boot up for the first time. As noted above, the first time you initialize your system, the screen will be blank for approximately two minutes. This is normal. During this period, do not disconnect the power supply, press any buttons, or use any peripheral devices such as mouse, keyboard, or remote control.

Registering Windows with Microsoft

- 1 After Windows has booted up for the first time, the Control Panel Welcome Center will appear. If the Register Windows Online icon is not seen in the window, click on "Show all xx items" (where "xx" is the number of topics in the Welcome Center).
- 2 Click on Register Windows Online and follow the instructions that appear to register your copy of Windows.

Registering Your LifeBook Tablet PC with Fujitsu

You can register your LifeBook by going to our website at: <http://solutions.us.fujitsu.com/>. You will need to be set up with an Internet Service Provider (ISP) to register online.



Installing Click Me!



BEFORE INSTALLING THE CLICKME! UTILITY, BE SURE THE WIRELESS DEVICE SWITCH IS TURNED ON.

Windows Vista/7 Systems

The first time you boot up your system, you will see a “Primary Settings for the PC” window. This window explains the installations which will be performed by the Click Me! utility. If you click [Execute], Click Me! will begin installing. If after clicking the button you receive a “User Account Control” window, you will be asked for your permission to continue. Click [Continue] to continue. If you cancel the operation, the Click Me! icon will appear on your desktop for later installation.

Windows XP Systems

The first time you boot up your system, you will see an icon called Click Me! in the Start menu. **We highly recommend that you install the ClickMe! utility the first time you boot up.** When you click the Click Me! icon, your system will automatically create the related icons in the system tray in the bottom right of the screen. These icons provide links to utilities that you will frequently access, such as wireless LAN software provided by the wireless LAN manufacturer.



THERE MAY BE ADDITIONAL THIRD-PARTY APPLICATIONS THAT ARE NOT INSTALLED BY THE CLICKME! UTILITY. FOR MORE INFORMATION, REFER TO YOUR GETTING STARTED GUIDE.



Fujitsu Driver Update Utility

Your system has a convenient tool called the Fujitsu Driver Update (FDU) utility. With FDU, you can choose to automatically or manually go to the Fujitsu site to check for new updates for your system. For more information about the FDU utility, refer to “Automatically Downloading Driver Updates” on page 114.

Power Management

Your Fujitsu LifeBook notebook has many options and features for conserving battery power. Some of these features are automatic and need no user intervention, such as those for the internal modem. However, others depend on the parameters you set to best suit your operating conditions, such as those for the display brightness. Internal power management for your notebook may be controlled from settings made in your operating system, pre-bundled power management application, or from settings made in BIOS setup utility.

Besides the options available for conserving battery power, there are also some things that you can do to prevent your battery from running down as quickly. For example, you can create an appropriate power saving profile, put your notebook into Sleep mode when it is not performing an operation, and you can limit the use of high power devices. As with all mobile, battery powered computers, there is a trade-off between performance and power savings.

Power/Suspend/Resume Button

When your notebook is active, the Power/Suspend/Resume button can be used to manually put the notebook into Sleep mode. Push the Power/Suspend/Resume button when the notebook is active, but not actively accessing anything, and immediately release the button. You will hear two short beeps and the system will enter Sleep mode.

If your notebook is suspended, pushing the Power/Suspend/Resume button returns your notebook to active operation. You can tell whether the system is Suspended by looking at the Power indicator. If the indicator is visible and not flashing, your notebook is fully operational. If the indicator is visible *and* flashing, your notebook is in Sleep mode. If the indicator is not visible, the power is off or your notebook is in Hibernation mode. (*See Hibernation Feature*)

Sleep Mode

Sleep mode in Windows saves the contents of your system memory during periods of inactivity by maintaining power to critical parts. This mode turns off the CPU, display, hard drive, and all other internal components except those necessary to maintain system memory and for restarting.

Your notebook can be put in Sleep mode by:

- Pressing the Power/Suspend/Resume button when your system is turned on.
- Selecting Sleep from the Windows Shut Down menu.
- Timing out from lack of activity.
- Allowing the battery to reach the Dead Battery Warning condition.

Your notebook's system memory typically stores the file on which you are working, open application information, and any other data required to support operations in progress. When you resume operation from Sleep mode, your notebook will return to the point where it left off. You must use the Power/Suspend/Resume button to resume operation, and there must be an adequate power source available, or your notebook will not resume.



- IF RUNNING YOUR NOTEBOOK ON BATTERY POWER, NOTE THAT THE BATTERY CONTINUES TO DISCHARGE WHILE YOUR NOTEBOOK IS IN SLEEP MODE, THOUGH NOT AS FAST AS WHEN FULLY OPERATIONAL.
- DISABLING THE POWER/SUSPEND/RESUME BUTTON PREVENTS IT FROM BEING USED TO PUT THE NOTEBOOK INTO SLEEP OR HIBERNATION MODE. THE BUTTON RESUME FUNCTION CAN'T BE DISABLED.
- THE SLEEP OR HIBERNATION MODE SHOULD NOT BE USED WITH CERTAIN PC CARDS. CHECK YOUR PC CARD DOCUMENTATION FOR MORE INFORMATION. WHEN PC CARDS OR EXTERNAL DEVICES ARE IN USE, HIBERNATION MODE CANNOT RETURN TO THE EXACT STATE PRIOR TO SUSPENSION, BECAUSE ALL OF THE PERIPHERAL DEVICES WILL BE RE-INITIALIZED WHEN THE SYSTEM RESTARTS.
- IF YOUR NOTEBOOK IS ACTIVELY ACCESSING INFORMATION WHEN YOU ENTER THE SLEEP OR HIBERNATION MODE, CHANGES TO OPEN FILES ARE NOT LOST. THE FILES ARE LEFT OPEN AND MEMORY IS KEPT ACTIVE DURING SLEEP MODE OR THE MEMORY IS TRANSFERRED TO THE INTERNAL HARD DRIVE DURING HIBERNATION MODE. THE MAIN ADVANTAGE OF USING HIBERNATION IS THAT POWER IS NOT REQUIRED TO MAINTAIN YOUR DATA. THIS IS PARTICULARLY IMPORTANT IF YOU WILL BE LEAVING YOUR NOTEBOOK IN A SUSPENDED STATE FOR A PROLONGED PERIOD OF TIME. THE DRAWBACK OF USING HIBERNATION MODE IS THAT IT LENGTHENS THE POWER UP/DOWN SEQUENCES AND RESETS PERIPHERAL DEVICES.

Hibernate Feature

The Hibernation feature saves the contents of your notebook's system memory to the hard drive as a part of the Suspend/Resume mode. You can enable or disable this feature.

Enable or Disable the Hibernation Feature

Windows Vista/Windows 7:

The Hibernation is enabled by default. To disable or enable the Hibernation feature follow these steps:

- 1 From the **Start** menu, select **Control Panel**, then select the **Power Options** icon.
- 2 Select “Choose what the power button does” or “Choose what closing the lid does”, then make your selections (Do Nothing, Sleep, Hibernate, or Shut Down).

Windows XP:

The default settings are not enabled. To enable or disable the Hibernation feature follow these steps:

- 1 From the **Start** menu, select **Settings**, and then select **Control Panel**.
- 2 From the **Control Panel** select **Power Options**.
- 3 Select the **Hibernate** tab. Select the box to enable or disable this feature.

Windows Power Management

The Power Options icon located in the Windows Control Panel allows you to configure some of the power management settings. For example, you can use the Power Options to set the timeout values for turning off the display and hard disks whether you are running the notebook on battery power or one of the adapters.

Restarting the System

Windows Vista/Windows 7:

- 1 Click the **Start** button, and then move the mouse over the right arrow.
- 2 Select the desired action from the list.

Windows XP:

- 1 Click the **Start** button, and then click **Shut Down**.

- 2 Select the **Restart** option from within the Windows Shut Down dialog box.
- 3 Click **OK** to restart your notebook. Your notebook will shut down and then reboot.



TURNING OFF YOUR LIFEBOOK NOTEBOOK WITHOUT EXITING WINDOWS OR TURNING ON YOUR NOTEBOOK WITHIN 10 SECONDS OF THE NOTEBOOK BEING SHUT OFF MAY CAUSE AN ERROR WHEN YOU START THE NEXT TIME.

Powering Off

Before turning off the power, check that the hard drive/optical drive access indicator is off. If you turn off the power while accessing a disk there is a risk of data loss. To ensure that your notebook shuts down without error, use the Windows shut down procedure.



BE SURE TO CLOSE ALL FILES, EXIT ALL APPLICATIONS, AND SHUT DOWN YOUR OPERATING SYSTEM PRIOR TO TURNING OFF THE POWER. IF FILES ARE OPEN WHEN YOU TURN THE POWER OFF, YOU WILL LOSE ANY CHANGES THAT HAVE NOT BEEN SAVED, AND MAY CAUSE DISK ERRORS.

Using the correct procedure to shut down from Windows allows your notebook to complete its operations and turn off power in the proper sequence to avoid errors. The proper sequence is:

- 1 Click the **Start** button, and then move the mouse over the small arrow at the bottom right of the menu (for Windows 7 systems, simply click the [Shut Down] button).
- 2 Select **Shut Down** from the list.

If you are going to store your notebook for a month or more, see the Care and Maintenance Section.



- ALWAYS POWER OFF THE COMPUTER BEFORE TRANSPORTING AND/OR PACKAGING IT. AFTER SHUTTING DOWN THE SYSTEM, WAIT UNTIL THE STATUS LED PANEL INDICATES POWER OFF CONDITION (I.E., THE INDICATOR PANEL IS BLANK).
- IT IS POSSIBLE THAT THE UNIT MAY NOT AUTOMATICALLY GO TO POWER OFF OR HIBERNATE MODE WHEN YOU CLOSE THE LID. THIS SITUATION MAY OCCUR DUE TO PRE-OS BOOT PASSWORD SECURITY SETTINGS OR SOME OTHER APPLICATION RUNNING ON THE COMPUTER.
- ATTEMPTING TO TRANSPORT THE COMPUTER WHILE POWER IS ON MAY DAMAGE THE NOTEBOOK DUE TO SHOCK OR OVERHEATING SINCE THE AIR VENTS MAY BE BLOCKED OR RESTRICTED.

Chapter 3

User-Installable Features

Lithium ion Battery

Your LifeBook notebook has a Lithium ion battery that provides power for operating your notebook when no external power source is available. The battery is durable and long lasting, but should not be exposed to extreme temperatures, high voltages, chemicals or other hazards.

The Lithium ion battery operating time may become shorter if it is used under the following conditions:

- When used at temperatures that exceed a low of 5°C or a high of 35°C. Extreme temperatures not only reduce charging efficiency, but can also cause battery deterioration. The Battery Charge Indicator on the Status Indicator panel will flash when you try to charge a battery that is outside its operating temperature range. *See “Battery Charge Indicator” on page 25.*
- When using a high current device such as a modem, Multi-Format DVD Writer, DVD-ROM drive, Blu-ray RW drive, or the hard drive, using the AC adapter will conserve your battery life.



DO NOT LEAVE A FAULTY BATTERY IN YOUR NOTEBOOK. IT MAY DAMAGE YOUR AC ADAPTER, OPTIONAL AUTO/AIRLINE ADAPTER, ANOTHER BATTERY OR YOUR NOTEBOOK ITSELF. IT MAY ALSO PREVENT OPERATION OF YOUR NOTEBOOK BY DRAINING ALL AVAILABLE CURRENT INTO THE BAD BATTERY.



- ACTUAL BATTERY LIFE WILL VARY BASED ON SCREEN BRIGHTNESS, APPLICATIONS, FEATURES, POWER MANAGEMENT SETTINGS, BATTERY CONDITION AND OTHER CUSTOMER PREFERENCES. DVD-ROM DRIVE, MULTI-FORMAT DVD WRITER, BLU-RAY RW DRIVE, OR HARD DRIVE USAGE MAY ALSO HAVE A SIGNIFICANT IMPACT ON BATTERY LIFE. THE BATTERY CHARGING CAPACITY IS REDUCED AS THE BATTERY AGES. IF YOUR BATTERY IS RUNNING LOW QUICKLY, YOU SHOULD REPLACE IT WITH A NEW ONE.
- UNDER FEDERAL, STATE, OR LOCAL LAW IT MAY BE ILLEGAL TO DISPOSE OF BATTERIES BY PUTTING THEM IN THE TRASH. PLEASE TAKE CARE OF OUR ENVIRONMENT AND DISPOSE OF BATTERIES PROPERLY. CHECK WITH YOUR LOCAL GOVERNMENT AUTHORITY FOR DETAILS REGARDING RECYCLING OR DISPOSING OF OLD BATTERIES. IF YOU CANNOT FIND THIS INFORMATION ELSEWHERE, CONTACT YOUR SUPPORT REPRESENTATIVE AT 1-800-8FUJITSU (1-800-838-5487)

Recharging the Batteries

If you want to know the condition of the primary Lithium ion battery, check the Battery Level indicator located on the Status Indicator panel. The indicator changes as the battery level changes.

The Lithium ion battery is recharged internally using the AC adapter or Auto/Airline adapter. To recharge the battery make sure the battery that needs to be charged is installed in your LifeBook notebook and connect the AC or Auto/Airline adapter.



MAKE SURE THAT THE BATTERY CHARGING INDICATOR AND THE PERCENTAGE CHARGE IS SHOWN INSIDE THE BATTERY LEVEL ICON ON THE STATUS INDICATOR PANEL.

There is no memory effect on the Lithium ion battery, therefore you do not need to discharge the battery completely before recharging. The charge times will be significantly longer if your notebook is in use while the battery is charging. If you want to charge the battery more quickly, put your notebook into Sleep mode, or turn it off while the adapter is charging the battery. (*See Power Management on page 57 for more information on Sleep mode and shutdown procedure*)



USING HEAVY CURRENT DEVICES SUCH AS THE MODEM OR FREQUENT BLU-RAY/DVD/CD DRIVE ACCESSES MAY PREVENT CHARGING COMPLETELY.

Low Battery State

When the battery is running low, a low battery notification message will appear. If you do not respond to the low battery message, the batteries will continue to discharge until they are too low to operate. When this happens, your notebook will go into Sleep mode. There is no guarantee that your data will be saved once the notebook reaches this point.



- ONCE THE LOW BATTERY NOTIFICATION MESSAGE APPEARS, YOU NEED TO SAVE ALL YOUR ACTIVE DATA AND PUT YOUR LIFEBOOK NOTEBOOK INTO SLEEP MODE UNTIL YOU CAN PROVIDE A NEW POWER SOURCE. YOU SHOULD PROVIDE A CHARGED BATTERY, AN AC POWER ADAPTER, OR AUTO/AIRLINE ADAPTER AS SOON AS POSSIBLE.
- WHEN YOU ARE IN SLEEP MODE THERE MUST ALWAYS BE AT LEAST ONE POWER SOURCE ACTIVE. IF YOU REMOVE ALL POWER SOURCES WHILE YOUR LIFEBOOK NOTEBOOK IS IN SLEEP MODE, ANY DATA THAT HAS NOT BEEN SAVED TO THE HARD DRIVE WILL BE LOST.

Dead Battery Suspend mode shows on the Status indicator just like the normal Sleep mode. Once your notebook goes into Dead Battery Suspend mode you will be unable to resume operation until you provide a source of power either from an adapter or a charged battery. Once you have provided power, you will need to press the Power/Suspend/Resume button to resume operation.

In the Dead Battery Suspend mode, your data can be maintained for some time, but if a power source is not provided promptly, the Power indicator will stop flashing and go out, meaning that you have lost the data that was not stored. Once you provide power, you can continue to use your notebook while an adapter is charging the battery.

Shorted Batteries

The Status Indicator panel uses a symbol inside the battery outline of the Battery Level indicator to display the operating level available in that battery. If this display shows a Shorted Battery, it means the battery is damaged and must be replaced so it does not damage other parts of your LifeBook notebook.

Replacing the Battery

With the purchase of an additional battery, you can have a fully charged spare to swap with one that is not charged. There are two ways to swap batteries, cold-swapping and hot-swapping:

Cold-swapping Batteries

To cold-swap batteries in your battery bay follow these easy steps:

- 1 Have a charged battery ready to install.
- 2 Shut down your notebook and disconnect the AC adapter.
- 3 While pushing the battery bay release latches towards the battery pack, lift the battery out of the bay using the latches to lift it.
- 4 Insert a new battery into the bay, and press it down so that the latches click into place.
- 5 Plug in the AC adapter and turn the power on.

Hot-swapping Batteries

To hot-swap batteries in your battery bay follow these easy steps:



BE SURE TO PLUG IN AN AC ADAPTER PRIOR TO REMOVING THE BATTERY. THERE IS NO BRIDGE BATTERY PRESENT TO SUPPORT THE SYSTEM WHILE THE BATTERY IS BEING REPLACED. IF YOU DO NOT USE AN AC ADAPTER YOU WILL LOSE ANY UNSAVED FILES.

- 1 Plug an AC Adapter into the system and connect it to a power outlet.

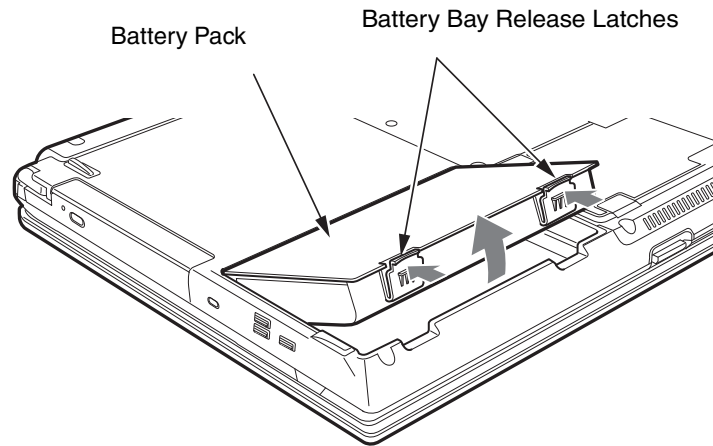


Figure 14. Removing a Battery

- 2 Follow steps 3 through 6 in “Cold Swapping Batteries”.



IF THE LITHIUM ION BATTERY CONNECTOR IS NOT FULLY SEATED, YOU MAY NOT BE ABLE TO USE YOUR NOTEBOOK OR CHARGE YOUR BATTERY.

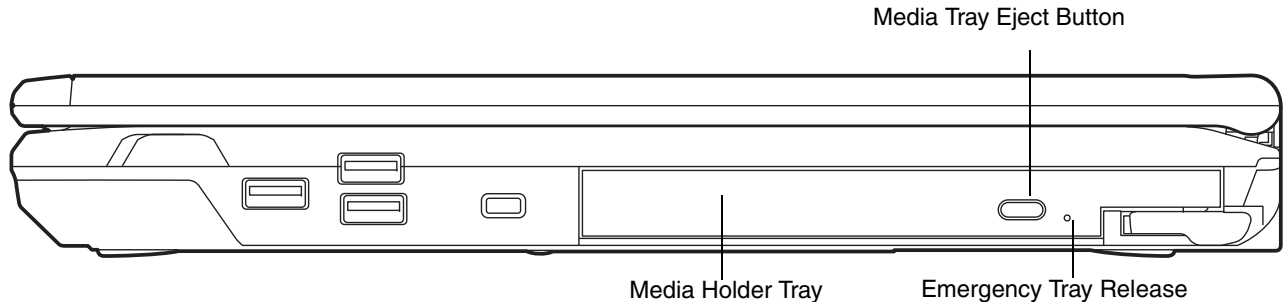


Figure 15. Optical Drive

Optical Drive

There is a variety of media available to use with your system, depending upon the system configuration you have selected. Multi-Format DVD Writers, Blu-ray® RW drives, and DVD-ROM drives are collectively known as “optical drives”.

Depending upon your notebook configuration, you may have one of the following optical drives:

- **Dual-Layer Multi-Format DVD Writer:** This drive lets you access movies, audio DVD/CDs, and software, and read and write to CD-R, CD-RW, DVD-R, DVD+R, DVD-RW, DVD+RW, and DVD RAM discs. The dual-layer architecture allows you to record up to 8.5 GB of data on DVD+R discs.
- **Blu-ray® RW Drive:** With this drive, you can play Blu-ray Disc movies and burn up to 50 GB of movies or data on a Dual-Layer Blu-ray disc. You can play CD-ROM, CD-R, CD-RW, DVD-ROM, DVD-R, DVD-R DL, DVD-RW, DVD+R, DVD+R DL, DVD+RW, DVD-RAM, BD-ROM, BD-R, BD-R DL, BD-RE, BD-RE DL discs, and record CD-R, CD-RW, DVD-R, DVD-R DL, DVD-RW, DVD+R, DVD+R DL, DVD+RW, DVD-RAM, BD-R, BD-R DL, BD-RE, BD-RE DL discs.
- **DVD-ROM:** A DVD-ROM drive allows you to access software, data, or audio from CDs or DVDs.



INSTALL YOUR MEDIA PLAYER SOFTWARE BEFORE FIRST USING THE OPTICAL DRIVES. REFER TO THE APPLICABLE README FILE ON THE DRIVER APPLICATIONS DISC.

Media Player Software

Dual-Layer Multi-Format DVD Writer model only: With the Dual-Layer Multi-Format DVD Writer and media player software you can play DVD movies and music CDs on your LifeBook notebook. The media player includes controls which allow you to take full advantage of the features of a DVD movie, as well as standard features such as fast forward, fast reverse, pause, etc. With this drive you can also burn onto recordable DVD-R/RW, DVD+R/RW, or CD-R/RW discs.

Blu-ray RW model only: The software for the Blu-ray drive is pre-installed, but can also be found on the CyberLink PowerDVD/ PowerDirector/MakeDisc CD in the event it needs to be re-installed. When used in conjunction with the PowerDirector and MakeDisc applications, PowerDVD turns your notebook into a powerful multi-media producer and player.

DVD ROM model only: With the DVD ROM drive, you can play DVD movies or audio CDs, read audio CDs, and access software.



- DO NOT OPERATE YOUR OPTICAL DRIVE UNLESS YOUR LIFEBOOK NOTEBOOK IS SITTING ON A FLAT SURFACE. USING A DRIVE WHEN THE SYSTEM IS NOT LEVEL MAY DAMAGE THE DRIVE OR PREVENT PROPER OPERATION.
- PROLONGED USE OF THE OPTICAL DRIVE, SUCH AS WATCHING A DVD MOVIE, WILL SUBSTANTIALLY REDUCE YOUR BATTERY LIFE IF NO EXTERNAL POWER SOURCE IS ATTACHED.

Loading Media on Your Drive

To load a disc into your optical drive:

- 1** Push and release the eject button on the front of the optical drive to open the holder tray. The tray will come out of the LifeBook notebook a short distance.
- 2** Gently pull the tray out until a media disc can easily be placed in the tray.



- YOU SHOULD PERIODICALLY CHECK THE FUJITSU WEBSITE AT US.FUJITSU.COM/COMPUTERS FOR THE MOST CURRENT DRIVERS.
- ALL LIFEBOOK DVD PLAYERS ARE SET TO PLAY DVD TITLES WITH REGION CODE NUMBER 1 WHICH IS SPECIFIED FOR THE NORTH AMERICAN MARKET. THE REGION NUMBER IS A REGIONAL RESTRICTION CODE DEFINED BY THE DVD FORUM ACTING ON HOLLYWOOD REQUIREMENTS. DIFFERENT REGION CODES ARE RECORDED ON VIDEO DVD TITLES FOR PUBLICATION IN DIFFERENT AREAS OF THE WORLD. IF THE REGIONAL CODE OF THE DVD PLAYER DOES NOT MATCH THE REGIONAL CODES ON THE TITLES, THEN PLAYBACK IS IMPOSSIBLE.
- YOU CAN CHANGE THE REGION CODE ON THE DVD PLAYER USING THE PROPERTIES MENU OF THE DVD SOFTWARE. NOTE, HOWEVER, THAT **YOU CAN ONLY CHANGE THE REGION CODE UP TO FOUR TIMES**. AFTER THE 4TH CHANGE, THE LAST CODE ENTERED BECOMES PERMANENT, AND CANNOT BE CHANGED.

- 3 Place the media into the tray, label side up, with the hole in the center of the disc. Snap the disc onto the raised circle in the center of the tray.
- 4 Gently push the holder tray back in until you hear a click



IF YOU HAVE DISABLED THE AUTO INSERT NOTIFICATION FUNCTION, YOU WILL HAVE TO START THE DRIVE EITHER BY USING MY COMPUTER OR FROM WITHIN WINDOWS EXPLORER, SINCE YOUR NOTEBOOK WILL NOT AUTOMATICALLY RECOGNIZE THAT MEDIA HAS BEEN LOADED.

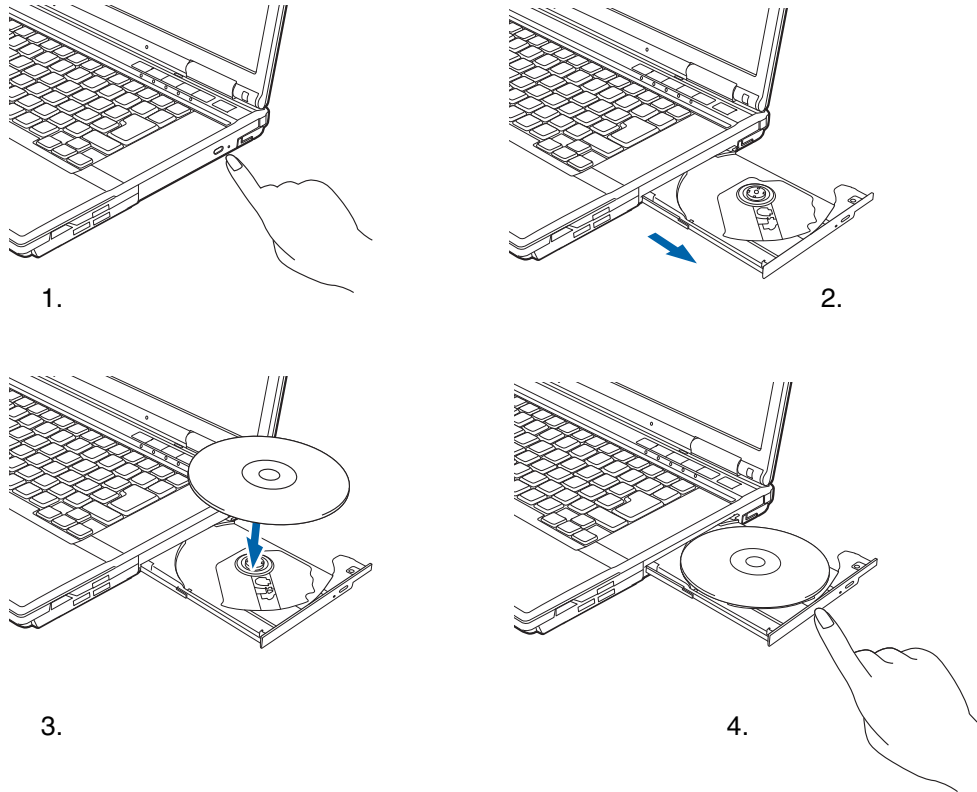


Figure 16. Loading/Ejecting Media

Removing Media

- 1** Push and release the eject button on the front of the optical drive. This will stop the drive and the holder tray will come out of the LifeBook notebook a short distance.
- 2** Gently pull the tray out until the disc can easily be removed from the tray.
- 3** Carefully remove the media disc from the holder tray.
- 4** Gently push the holder tray back in until you hear a click.

Emergency Optical Drive Tray Release

If for some reason the eject button fails, you can open the media tray with a paper clip or similar tool inserted into the eject hole in the right side of the front of the tray. Straighten one side of a paper clip and push it gently into the hole. The tray will pop out.

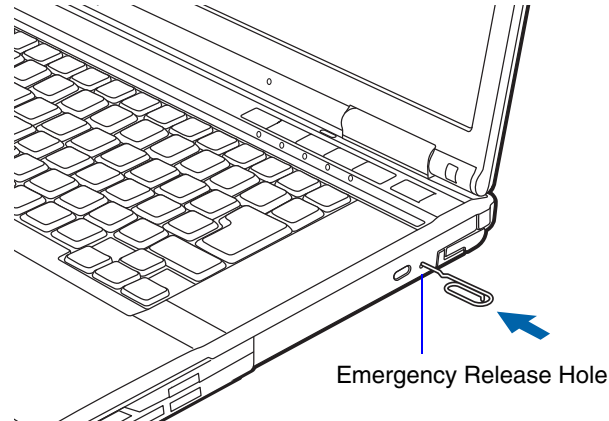


Figure 17. Emergency Tray Release

Using the Media Player Software



DEPENDING UPON ITS CONFIGURATION, YOUR SYSTEM MAY NOT HAVE THE MEDIA PLAYER SOFTWARE PRE-INSTALLED. IF IT IS NOT INSTALLED, REFERENCE THE DOCUMENTATION THAT ACCOMPANIES THE MEDIA APPLICATION.

Starting a DVD Movie (DVD Models only)

- 1** Insert the DVD into the optical drive of the notebook. If the CD AutoRun feature activates, skip Step 2.
- 2** The first time you insert a movie into the optical drive tray, you will be prompted to select what you want the system to do when discs are inserted (e.g., start automatically or wait for a prompt). Until you make a selection, you will receive the same prompt whenever you insert a disc.
- 3** Click **OK** to close the About DVD Player Performance dialog box and the movie will begin.

Opening the Media Player Control Panel

With most DVD-ROMs, you have the option of altering how the movie should play and what you wish to view. You can do this by using the media player control panel and the mouse.

- 1 Right-click on the movie screen to open a dropdown menu for options.
- 2 Select **View**, then **Player** for all the controls available. This will open the control panel into the bottom of the screen.

Using the Media Player Control Panel

The media player software allows you to watch the movie much like a VCR player. You can pause, rewind, fast-forward and stop the movie at any point.

- 1 To pause the movie, click the on-screen **II** button.
- 2 To rewind the movie, click the **◀** button to rewind to a specific portion of the movie, or the **◀◀** button to return to the opening screen.
- 3 To fast-forward the movie, click the **▶** button to forward to a specific portion of the movie, or the **▶▶** button to jump to the ending credits.
- 4 To stop the movie, click the **■** button.

Exiting the Media Player

- 1 Click the **×** located in the upper right corner of the title bar. This will open a media player dialog box.
- 2 Click Yes to stop and exit the movie, or No to close the media player dialog box and return to the movie.

Using Media Player on Battery Power

Since optical drives consume a lot of power, your overall battery life will be significantly shorter when operating the optical drive continuously (such as watching a DVD movie) than during standard operation. Many movie run-times are longer than your notebook can support on a single charged battery. If you are watching a DVD movie on battery power you may need to swap in an additional, charged battery or attach AC power during the movie to view it in its entirety.



- PROLONGED USE OF THE OPTICAL DRIVE, SUCH AS WATCHING A DVD MOVIE, WILL GREATLY REDUCE YOUR NOTEBOOK'S BATTERY LIFE.
- MANY MOVIE RUN-TIMES ARE LONGER THAN YOUR SYSTEM CAN SUPPORT ON A SINGLE BATTERY. IF YOU ARE WATCHING A DVD MOVIE ON BATTERY POWER YOU MAY NEED TO SWAP IN AN ADDITIONAL, CHARGED BATTERY OR ATTACH AC POWER DURING THE MOVIE TO VIEW IT IN ITS ENTIRETY.
- AN ADDITIONAL FULLY-CHARGED BATTERY IS HIGHLY RECOMMENDED IF YOU WILL BE WATCHING DVD MOVIES ON BATTERY POWER. IF YOU DON'T HAVE AN ADDITIONAL BATTERY, YOU MAY PURCHASE ONE EITHER ONLINE AT: [HTTP://WWW.COMPUTERS.US.FUJITSU.COM](http://www.computers.us.fujitsu.com) OR BY CALLING 1-877-372-3473.

To Watch a Movie on Battery Power:

- 1 Have an additional full-charged battery or your AC adapter ready for use.
- 2 Start watching your DVD movie.
- 3 When the low battery warning occurs, immediately stop the movie and exit the media player.



IF YOU DO NOT STOP THE MEDIA PLAYER QUICKLY AND THE LIFEBOOK NOTEBOOK ATTEMPTS TO AUTO-SUSPEND (CRITICAL BATTERY LOW STATE) THE LIFEBOOK NOTEBOOK WILL SHUT DOWN IMPROPERLY. IF THIS OCCURS, YOU MAY NEED TO PERFORM A HARD RESET AND FOLLOW THE INSTRUCTIONS, IF ANY, PRESENTED TO YOU BEFORE THE SYSTEM WILL REBOOT.

- 4 Power down your notebook and replace the discharged battery with an additional fully-charged battery. If you do not have an additional battery, you may attach AC power as soon as you see the low battery warning.
- 5 Resume your LifeBook notebook by pressing the Suspend button again. This is not required if you attached AC power without entering sleep mode.
- 6 Restart your media player, locate and skip to the chapter of the movie you were last watching.
- 7 Continue watching your DVD movie.



SOME SHORTER DVD MOVIES MAY NOT REQUIRE YOU TO SWAP BATTERIES OR ATTACH AC POWER TO COMPLETE THEM. HOWEVER, IT IS BEST TO BE PREPARED SINCE ACTUAL BATTERY LIFE WHILE OPERATING THE OPTICAL DRIVE CANNOT BE GUARANTEED.

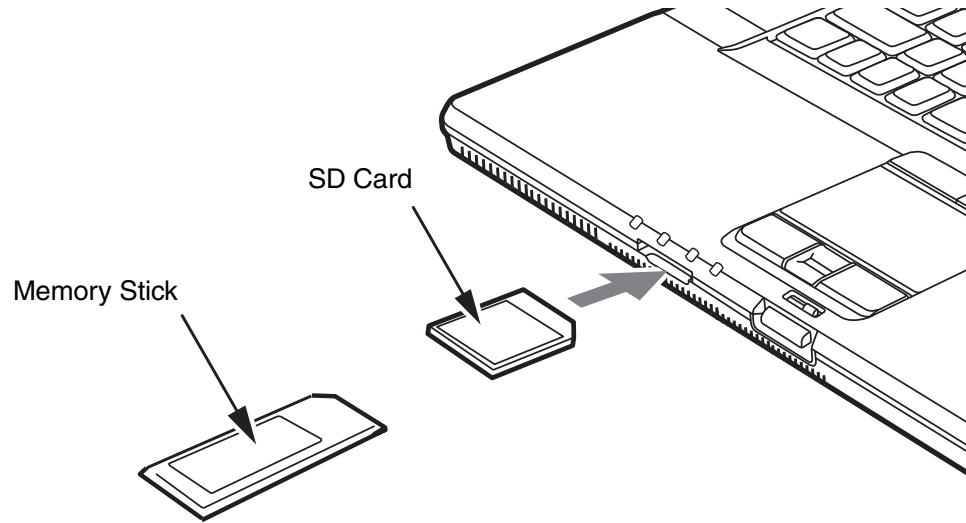


Figure 18. Installing a Memory Stick or SD Card

Memory Stick/Secure Digital Cards

Your LifeBook notebook supports Memory Sticks and Secure Digital (SD) cards, on which you can store and transfer data to and from a variety of digital devices. These cards use flash memory architecture, which means they don't need a power source to retain data.

Memory Stick is a flash memory technology that allows you to record, transfer and share digital content, such as digital pictures, movies, music, voice, and computer data and applications.

Secure Digital (SD) Cards are very similar to Memory Sticks. Like Memory Sticks, SD Cards allow portable storage among a variety of devices, such as cell phones, GPS systems, digital cameras, and PDAs. SD Cards transfer data quickly, with low battery consumption. Like the memory stick, it uses flash memory architecture.

Installing Memory Stick/SD Cards

Memory Stick and SD Cards are installed in the Memory Stick/SD Card slot. To install an Memory Stick or SD Card, follow these steps:



INSTALLING OR REMOVING A MEMORY STICK OR SD CARD DURING YOUR LIFEBOOK NOTEBOOK'S SHUTDOWN OR BOOTUP PROCESS MAY DAMAGE THE CARD AND/OR YOUR LIFEBOOK NOTEBOOK.

DO NOT INSERT A CARD INTO A SLOT IF THERE IS WATER OR ANY OTHER SUBSTANCE ON THE CARD AS YOU MAY PERMANENTLY DAMAGE THE CARD, YOUR LIFEBOOK NOTEBOOK, OR BOTH.

- 1** See your specific card manual for instructions on the installation of your card. Some cards may require that your notebook is off while installing them.
- 2** Make sure there is no card currently in the slot. If there is, see Removing a Memory Stick/SD Card.
- 3** Insert your card into the slot with the product label facing up.
- 4** Push the card firmly into the slot until it is seated in the connector.

Removing a Memory Stick/SD Card

To remove a Memory Stick or SD Card, follow these easy steps:



SEE YOUR CARD MANUAL FOR SPECIFIC INSTRUCTIONS ON THE REMOVAL OF YOUR CARD. SOME CARDS MAY REQUIRE YOUR LIFEBOOK NOTEBOOK TO BE IN SLEEP MODE OR OFF WHILE REMOVING THEM.

Push the Memory Stick or SD Card in until it unlatches. It will then eject from the slot for removal.

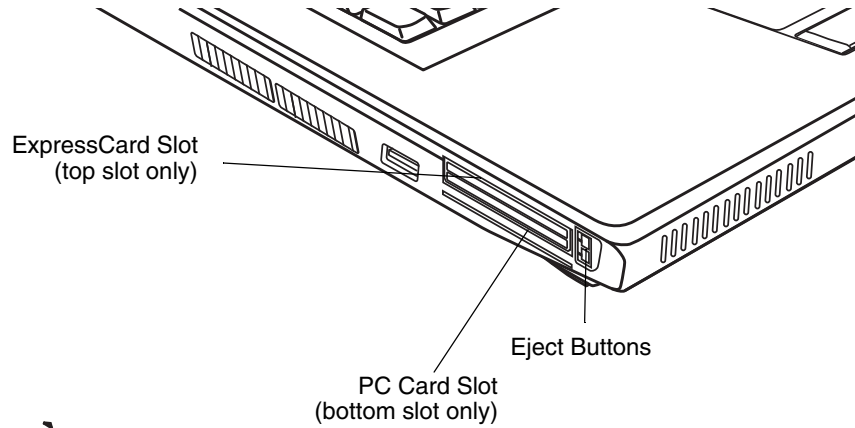


Figure 19. PC/ExpressCard Slots

PC Cards/ExpressCards™

Your notebook supports Type I and Type II PC Cards and ExpressCards™, which can perform a variety of functions depending on which type of card you install. You can install one or two cards at a time, depending on its type. PC Cards should be installed in the bottom slot, and ExpressCards in the top slot.

Some available PC/ExpressCards:

- Gigabit Ethernet Local area network (LAN) cards
- S-ATA II cards
- IEEE802.11n WLAN cards
- Other PC Cards that conform to PCMCIA 2.1 or CardBus standards

For further information, refer to the instructions supplied with your card(s).

Installing PC Cards

PC Cards are installed in the PC Card slot (the **lower** of the two slots). To install a PC Card, follow these steps:



- INSTALLING OR REMOVING A PC CARD DURING YOUR LIFEBOOK NOTEBOOK'S SHUTDOWN OR BOOTUP PROCESS MAY DAMAGE THE CARD AND/OR YOUR LIFEBOOK NOTEBOOK.
- DO NOT INSERT A PC CARD INTO A SLOT IF THERE IS WATER OR ANY OTHER SUBSTANCE ON THE CARD AS YOU MAY PERMANENTLY DAMAGE THE CARD, YOUR LIFEBOOK NOTEBOOK, OR BOTH.



YOU MAY BE REQUIRED TO LOG ON AS AN ADMINISTRATOR OR MEMBER OF THE ADMINISTRATOR'S GROUP TO COMPLETE THIS PROCEDURE. IF THE COMPUTER IS CONNECTED TO A NETWORK, NETWORK POLICY SETTINGS MAY ALSO PREVENT YOU FROM COMPLETING THIS PROCEDURE.

- 1 See your PC Card manual for instructions on the installation of your card. Some cards may require that your notebook is off while installing them.
- 2 Make sure there is no PC Card currently in the slot. If there is, see Removing PC Cards.
- 3 If the eject button is extended, press it until it clicks.
- 4 Insert the card into the slot with the label facing up.
- 5 Push the card firmly into the slot until it is seated in the connector.

Removing PC Cards

See your PC Card manual for specific instructions on removing your card. Some cards may require your notebook to be in Sleep Mode or Off during removal.



- WINDOWS HAS A SHUTDOWN PROCEDURE FOR PC CARDS THAT MUST BE FOLLOWED BEFORE REMOVING A CARD. REVIEW YOUR OPERATING SYSTEM MANUAL FOR THE CORRECT PROCEDURE. IT IS GOOD PRACTICE TO REMOVE DEVICES USING SAFELY REMOVE HARDWARE IN THE SYSTEM TRAY.
- IF THE DIALOG BOX STATES THAT THE DEVICE CANNOT BE REMOVED, YOU MUST SAVE ALL OF YOUR OPEN FILES, CLOSE ANY OPEN APPLICATIONS AND SHUT DOWN YOUR NOTEBOOK.

- 1 Unlock the card from the slot by pressing the eject button associated with the slot in which the card is located. When pressed, the button will pop out.
- 2 Firmly press the button again until it is flush with the notebook. This will eject the card slightly out of the slot allowing you to remove the card.



IF THE PC CARD HAS AN EXTERNAL CONNECTOR AND CABLE, DO NOT PULL THE CABLE WHEN REMOVING THE CARD.

Installing ExpressCards

There are two different width ExpressCards: 34 mm and 54 mm. The connector inside the slot is located on the left-hand side of the slot. If you insert a 34 mm card, be sure to align it with the left side of the slot when inserting it.

ExpressCards are installed in the ExpressCard slot (the top slot).

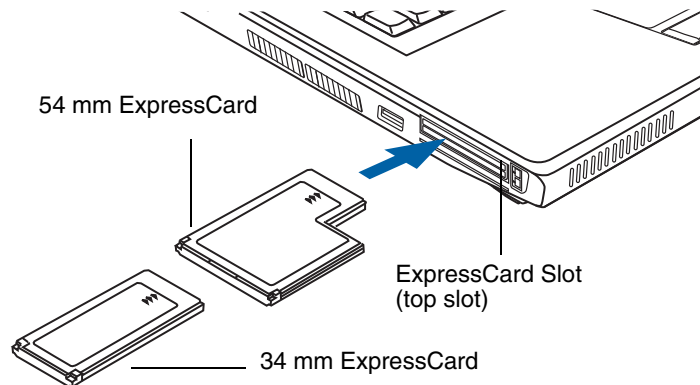


Figure 20. Installing/Removing ExpressCards



- INSTALLING OR REMOVING AN EXPRESSCARD DURING YOUR NOTEBOOK'S SHUTDOWN OR BOOTUP PROCESS MAY DAMAGE THE CARD AND/OR YOUR NOTEBOOK.
- DO NOT INSERT AN EXPRESSCARD INTO A SLOT IF THERE IS WATER OR ANY OTHER SUBSTANCE ON THE CARD AS YOU MAY PERMANENTLY DAMAGE THE CARD, YOUR NOTEBOOK, OR BOTH.



YOU MAY BE REQUIRED TO LOG ON AS ADMINISTRATOR OR A MEMBER OF THE ADMINISTRATOR'S GROUP TO COMPLETE THIS PROCEDURE. IF YOUR COMPUTER IS CONNECTED TO A NETWORK, NETWORK POLICY SETTINGS MAY ALSO PREVENT YOU FROM COMPLETING THIS PROCEDURE.

See your ExpressCard manual for instructions on the installation of your card. Some cards may require that your notebook is off while installing them.

To install an ExpressCard, follow these steps:

- 1** Make sure there is no ExpressCard currently in the slot. If there is, see Removing ExpressCards.
- 2** If the eject button is extended, press it in until it clicks.
- 3** Insert your ExpressCard into the slot with the product label facing up. If you are inserting a 34 mm card, be sure to align it with the left side of the slot when inserting it.
- 4** Push the card firmly into the slot until it is seated in the connector.

Removing ExpressCards

See your ExpressCard manual for specific instructions on removing your card. Some cards may require your notebook to be in Sleep Mode or Off during removal.



- WINDOWS HAS A SHUTDOWN PROCEDURE FOR EXPRESSCARDS THAT MUST BE FOLLOWED BEFORE REMOVING A CARD. (REVIEW YOUR OPERATING SYSTEM MANUAL FOR THE CORRECT PROCEDURE.) IT IS GOOD PRACTICE TO REMOVE DEVICES USING THE SAFELY REMOVE HARDWARE ICON IN THE SYSTEM TRAY.
- IF THE DIALOG BOX STATES THAT THE DEVICE CANNOT BE REMOVED, YOU MUST SAVE ALL OF YOUR OPEN FILES, CLOSE ANY OPEN APPLICATIONS AND SHUT DOWN YOUR NOTEBOOK.

To remove an ExpressCard, follow these steps:

- 1** Unlock the card from the slot by pressing the eject button associated with the slot in which the card is located. When pressed, the button will pop out.
- 2** Firmly press the button again until it is flush with the notebook. This will eject the card slightly out of the slot allowing you to remove the card.

Smart Card Reader

A dedicated Smart Card Reader is provided on your notebook. Smart Cards are the same size and shape as credit cards, but they contain an integrated microprocessor chip. The chip can hold a variety of information, and provides you with many possible options, such as allowing you to make secure purchases, pay for phone calls, store security information, and provide personal identification and information.

In order to use the Smart Card Reader, you must purchase optional Smart Card third-party software.

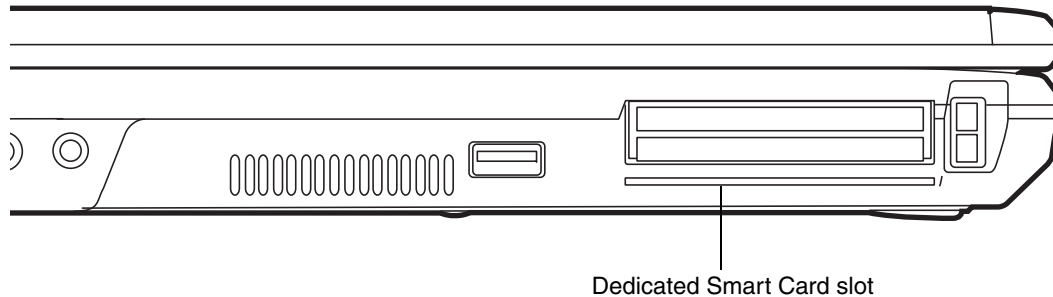


Figure 21. Smart Card Slot

Memory Upgrade Module

Your Fujitsu LifeBook notebook comes with high speed Double Data Rate Synchronous Dynamic RAM (DDR3-1066 SDRAM) factory installed. To increase your notebook's memory capacity, you may install an additional memory upgrade module. The memory upgrade must be a dual-in-line (DIMM) SDRAM module. To ensure 100% compatibility, purchase the SDRAM module only from the Fujitsu web store at www.shopfujitsu.com.

- DO NOT REMOVE ANY SCREWS FROM THE MEMORY UPGRADE MODULE COMPARTMENT EXCEPT THE ONES SPECIFICALLY SHOWN IN THE DIRECTIONS FOR INSTALLING AND REMOVING THE MEMORY UPGRADE MODULE.
- THE MEMORY UPGRADE MODULE CAN BE SEVERELY DAMAGED BY ELECTROSTATIC DISCHARGE (ESD). TO MINIMIZE RISK TO THE MODULE, OBSERVE THE FOLLOWING PRECAUTIONS:
 - BEFORE HANDLING A MEMORY MODULE, TOUCH A GROUNDED METAL OBJECT TO DISCHARGE STATIC ELECTRICITY BUILT UP IN YOUR BODY.
 - WHEN INSTALLING OR REMOVING A MEMORY MODULE, HOLD IT BY THE EDGE SO AS NOT TO TOUCH ANY CONTACTS OR CHIPS. BE CAREFUL NOT TO TOUCH ANY INTERNAL TERMINALS OR COMPONENTS; THE OIL FROM YOUR FINGERS COULD CAUSE A SHORT TO THE COMPONENTS.
 - BE SURE TO POWER DOWN YOUR SYSTEM BEFORE ADDING OR REMOVING MEMORY MODULES. EVEN IF THE SYSTEM IS IN HIBERNATE OR SLEEP STATES, DATA COULD BE LOST OR THE MEMORY COULD BE DAMAGED IF POWER IS STILL AVAILABLE TO THE SYSTEM.



Installing Memory Upgrade Modules

- 1 Turn off power to your notebook, remove any power adapter (AC or auto/airline). Remove the battery.
- 2 Make sure that all the connector covers are closed.
- 3 Turn the notebook bottom side up, and remove the screw from the memory upgrade module compartment.
- 4 Remove the cover.
- 5 Remove the memory upgrade module from the static guarded sleeve.

- 6 Align the memory upgrade module with the part side up. Align the connector edge of the memory upgrade module with the connector slot in the compartment. Note that the memory modules will be “stacked” when both are installed.

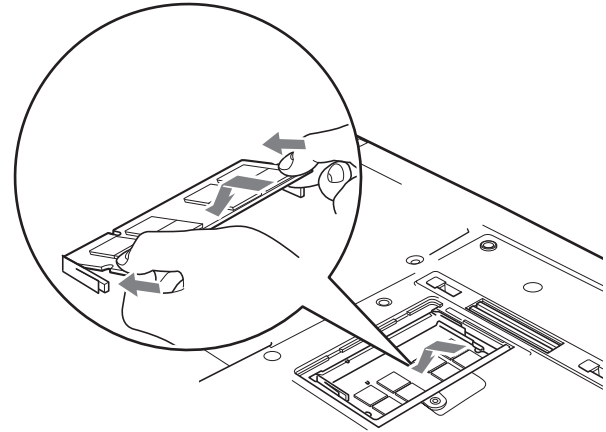
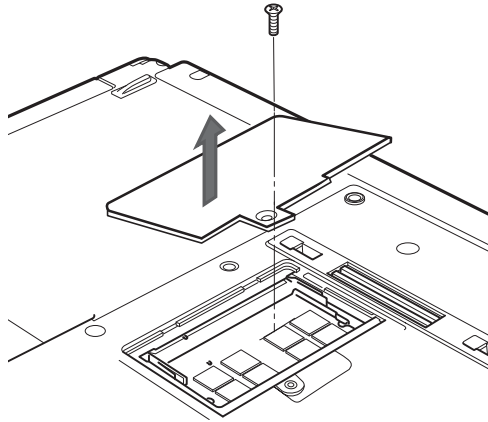


Figure 22. Opening the Memory Compartment

Figure 23. Installing a Second Memory Module

- 7 Insert the memory upgrade module at a 45° angle. Press the connector edge of the module firmly down and into the connector until it lodges under the retaining clip. You'll hear a click when it is properly in place.
- 8 Replace the cover and reinstall the screws.



THE MEMORY UPGRADE MODULE IS NOT SOMETHING YOU ROUTINELY REMOVE FROM YOUR NOTEBOOK. ONCE IT IS INSTALLED, YOU CAN LEAVE IT IN PLACE UNLESS YOU WANT TO CHANGE SYSTEM MEMORY CAPACITY.

Removing a Memory Upgrade Module

- 1 Perform steps 1 through 4 of Installing a Memory Upgrade Module.
- 2 Pull the clips sideways away from each side of the memory upgrade module at the same time.
- 3 While holding the clips out, remove the module from the slot by lifting it up and pulling it away from your notebook.

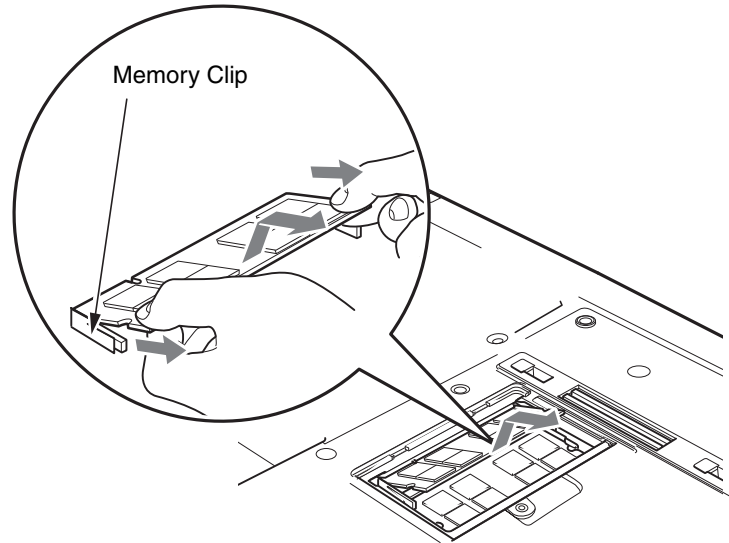


Figure 24. Removing a Memory Upgrade Module

- 4 Store the memory upgrade module in a static guarded sleeve.
- 5 Replace the cover and reinstall the screws.

Checking the Memory Capacity

Once you have changed the system memory capacity by replacing the installed module with a larger one, be sure to check that your notebook has recognized the change.

Windows 7: Check the memory capacity by clicking [Start] -> Settings -> Control Panel, then (while in Category view) clicking the System and Security icon. Select the Security icon and check the amount of memory next to “Installed memory (RAM):”.

Windows XP: Check the memory capacity by clicking [Start] -> Settings -> Control Panel, then double-clicking the System icon. Select the General tab and check the amount of memory under “Computer:”

Windows Vista: Check the memory capacity by clicking [Start] -> Control Panel -> System and Maintenance -> System. The amount of memory is displayed next to “Memory - RAM:” Note that in Windows XP systems, there may be a variation between the actual memory size and what is displayed. This is possible if your system is configured with an integrated graphics media accelerator which dynamically allocates system memory to accelerate graphics performance.



IF THE TOTAL MEMORY DISPLAYED IS INCORRECT, CHECK THAT YOUR MEMORY UPGRADE MODULE IS PROPERLY INSTALLED. (IF THE MODULE IS PROPERLY INSTALLED AND THE CAPACITY IS STILL NOT CORRECTLY RECOGNIZED, SEE TROUBLESHOOTING ON PAGE 92.

Device Ports

Your Fujitsu LifeBook notebook and the optional Port Replicator come equipped with multiple ports to which you can connect external devices including: disk drives, keyboards, modems, printers, etc.

Modem (RJ-11) Telephone Jack

The modem (RJ-11) telephone jack is used for an internal modem. To connect the telephone cable follow these easy steps:

- 1 Align the connector with the port opening.
- 2 Push the connector into the port until it is seated.
- 3 Plug the other end of the telephone cable into a telephone outlet.

The modem sound may be deactivated initially. To activate modem sound, follow these steps.

Windows XP:

- 1 Select [Start] > Settings > Control Panel.
- 2 Double-click Phone and Modem Options. You may initially need to enter your area code in order to open the Phone and Modem Options window.
- 3 Select the Modems tab and highlight the modem.
- 4 Click [Properties].
- 5 Select the Modem tab again, then adjust the volume with the volume slider.

Windows Vista and Windows 7:

- 1 Select [Start] > Control Panel.
- 2 For Windows Vista, select Classic View in the left pane; for Windows 7, select either Large or Small icons in the View by: field.

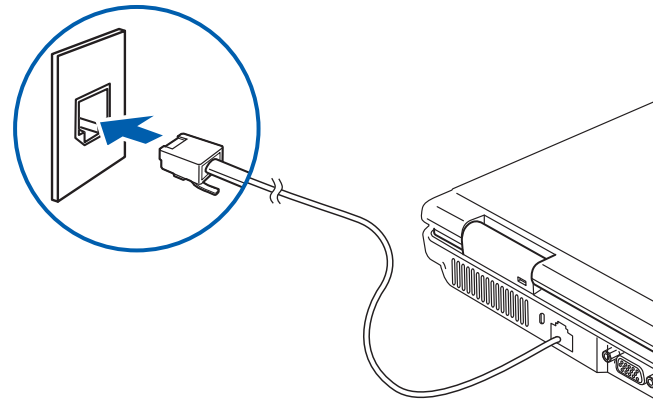


Figure 25. Connecting a Modem

- 3 Double-click Phone and Modems. You may initially need to enter your area code in order to open the Phone and Modem Options window.
- 4 Select the Modems tab, and click the [Properties] button.
- 5 Select the Modem tab and adjust the volume as necessary.



THE INTERNAL MODEM IS NOT INTENDED FOR USE WITH DIGITAL PBX SYSTEMS. DO NOT CONNECT THE INTERNAL MODEM TO A DIGITAL PBX AS IT MAY CAUSE SERIOUS DAMAGE TO THE INTERNAL MODEM OR YOUR ENTIRE LIFEBOOK NOTEBOOK. CONSULT YOUR PBX MANUFACTURER'S DOCUMENTATION FOR DETAILS. SOME HOTELS HAVE DIGITAL PBX SYSTEMS. BE SURE TO FIND OUT BEFORE YOU CONNECT YOUR MODEM.



- THE INTERNAL MODEM IS DESIGNED TO THE ITU-T V.90 STANDARD. ITS MAXIMUM SPEED OF 53000BPS IS THE HIGHEST ALLOWED BY FCC, AND ITS ACTUAL CONNECTION RATE DEPENDS ON THE LINE CONDITIONS. THE MAXIMUM SPEED IS 33600BPS AT UPLOAD.
- THE INTERNAL MODEM ON ALL LIFEBOOK NOTEBOOKS FROM FUJITSU ARE CERTIFIED FOR USE IN THE UNITED STATES AND CANADA. THE MODEM MAY BE CERTIFIED IN OTHER COUNTRIES.

Internal LAN (RJ-45) Jack

The internal LAN (RJ-45) jack is used for a Gigabit (10Base-T/100Base-Tx/1000Base-T) Ethernet LAN connection. You may need to configure your notebook to work with your particular network. (Please refer to your network administrator for information on your network configuration.) To connect the LAN cable follow these easy steps:

- 1 Align the connector with the port opening.
- 2 Push the connector into the port until it is seated.
- 3 Plug the other end of the cable into a LAN outlet.

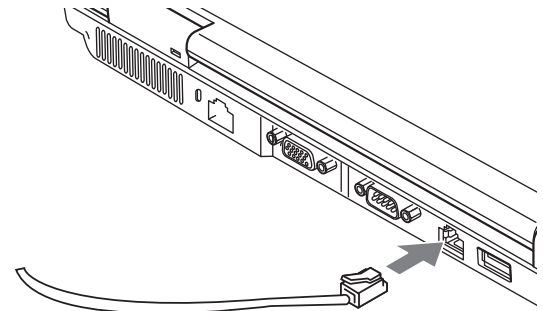


Figure 26. Connecting the LAN

e-SATA Port

E-SATA (External Serial Advanced Technology Attachment) is an external version of SATA, which connects your computer to the hard drive. E-SATA is ideal for backing up large files on an external hard drive.

To connect an E-SATA device:

- 1 Align the connector with the port opening.
- 2 Push the connector into the port until it is seated.

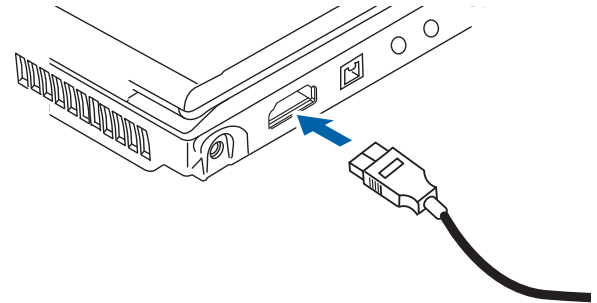


Figure 27. Connecting an e-SATA Device

DisplayPort

The DisplayPort connector, located on the rear of the system, allows you to connect DisplayPort devices to your notebook. In order to connect a DisplayPort device, follow these easy steps:

- 1 Align the connector with the port opening.
- 2 Push the connector into the port until it is seated.

Port Replicator Connector

The port replicator connector is used for the connection of your notebook to an optional port replicator. In order to connect your notebook to this device, follow the instructions that came with your port replicator.

Serial Port

The serial port, or COM port, located on the system and on the optional Port Replicator allows you to connect serial devices, such as printers or scanners. In order to connect a serial interface device follow these easy steps:

- 1 Align the connector with the port opening.
- 2 Push the connector into the port until it is seated.
- 3 Tighten the two hold-down screws, located on each side of the connector.

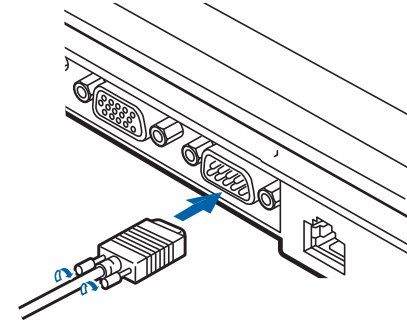


Figure 28. Connecting a Serial Device

Universal Serial Bus Ports

The Universal Serial Bus 2.0 ports (USB) allow you to connect USB devices such as external game pads, pointing devices, keyboards and/or speakers. There are four USB 2.0 ports on your notebook: three on the right side and one on the left.

In order to connect a USB device follow these steps:

- 1 Align the connector with the port opening.
- 2 Push the connector into the port until it is seated.

MICROSOFT WINDOWS VISTA USERS ONLY: WHEN ATTACHING A USB DEVICE, DO ONE OF THE FOLLOWING: BE SURE TO ATTACH THE DEVICE BEFORE TURNING ON YOUR SYSTEM, OR, WAIT FOR APPROXIMATELY THREE MINUTES AFTER THE SYSTEM BOOTS UP BEFORE ATTACHING THE USB DEVICE.



IF YOU PREFER NOT TO WAIT TO CONNECT YOUR USB DEVICE, YOU MUST DISABLE THE SELECTIVE SUSPEND FEATURE. TO DO SO, GO TO START > CONTROL PANEL. IN THE LEFT PANEL, SELECT CLASSIC VIEW. CLICK ON POWER OPTIONS > CHANGE PLAN SETTINGS > CHANGE ADVANCED POWER SETTINGS. SELECT USB SETTINGS, THEN SELECT DISABLED FROM THE PULL-DOWN MENU FOR USB SELECTIVE SUSPEND SETTING. CLICK [OK] TO COMPLETE THE PROCESS.

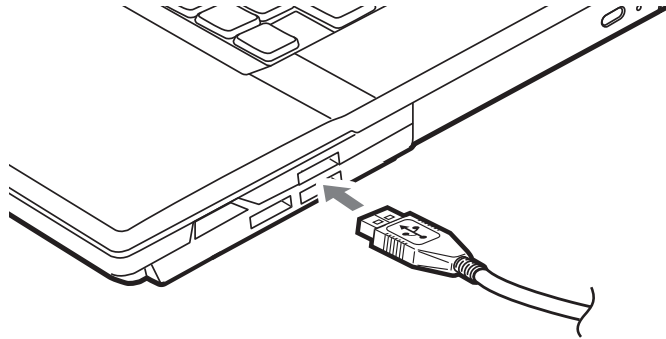


Figure 29. Connecting a USB Device

IEEE 1394 Port

The 4-pin 1394 port allows you to connect digital devices that are compliant with IEEE 1394 standard. The IEEE 1394 standard is easy to use, connect, and disconnect. This port can allow up to 400 Mbps transfer rate. A third-party application may be required to operate your device with the 1394 port.



THE 1394 PORT USED IN THIS SYSTEM USES A FOUR-PIN CONFIGURATION. IF YOU INTEND TO INTERFACE WITH DEVICES WHICH USE A SIX-PIN CONFIGURATION, YOU WILL NEED TO PURCHASE AN ADAPTER.

In order to connect a 1394 device, follow these steps:

- 1** Align the connector with the port opening.
- 2** Push the connector into the port until it is seated.

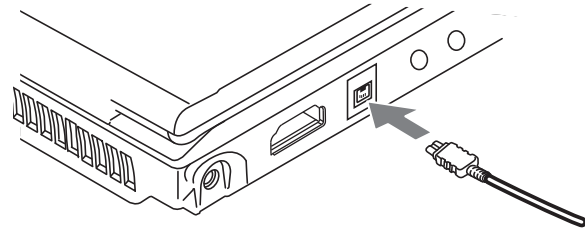


Figure 30. Connecting an IEEE 1394 Device

Headphone Jack

The headphone jack allows you to connect headphones or powered external speakers to your notebook. Your headphones or speakers must be equipped with a 1/8" (3.5 mm) stereo mini-plug. In order to connect headphones or speakers follow these easy steps:

- 1 Align the connector with the port opening.
- 2 Push the connector into the port until it is seated.



- DEPENDING UPON YOUR SYSTEM CONFIGURATION, THE HEADPHONE JACK MAY SERVE DIFFERENT PURPOSES. ON SOME CONFIGURATIONS, THE JACK SERVES AS A STEREO HEADPHONE/OPTICAL DIGITAL AUDIO OUT JACK. ON OTHER CONFIGURATIONS, THE JACK SERVES AS A STEREO HEADPHONE/LINE-OUT/OPTICAL DIGITAL AUDIO OUT JACK.
- IF YOU PLUG HEADPHONES INTO THE HEADPHONE JACK, BUILT-IN STEREO SPEAKERS ARE DISABLED.

Microphone Jack

The microphone jack allows you to connect an external mono microphone. Your microphone must be equipped with a 1/8" (3.5 mm) mono mini-plug in order to fit into the microphone jack of your notebook.

- 1 Align the connector with the port opening.
- 2 Push the connector into the port until it is seated.



- DEPENDING UPON YOUR SYSTEM CONFIGURATION, THE MICROPHONE JACK MAY SERVE SINGLE OR DUAL PURPOSES. ON CONFIGURATIONS, THE JACK SERVES AS A MONO MICROPHONE JACK. ON OTHER CONFIGURATIONS, THE JACK SERVES AS A STEREO MICROPHONE/LINE-IN JACK.

External Video Port

The external video port allows you to connect an external monitor or LCD projector. In order to connect an external video device, follow these easy steps:

- 1** Align the connector with the port opening.
- 2** Push the connector into the port until it is seated.
- 3** Tighten the two hold-down screws, located on each end of the connector.

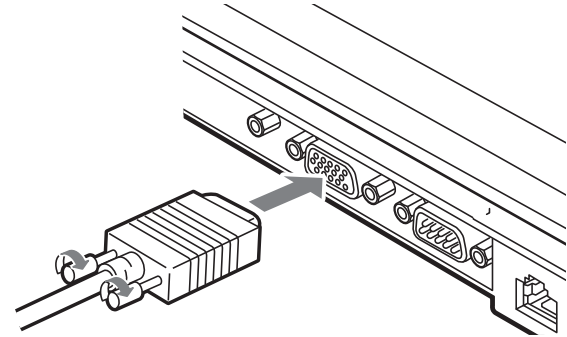


Figure 31. Connecting External Video Device



Chapter 4

Troubleshooting Your LifeBook

Troubleshooting

There may be occasions when you encounter simple setup or operating problems that you can solve on the spot, or problems with peripheral devices that can be solved by replacing the device. The information in this section helps you isolate and resolve some of these straightforward issues and identify failures that require service.

Identifying the Problem

If you encounter a problem, go through the following procedure before pursuing complex troubleshooting:

- 1** Turn off your LifeBook notebook.
- 2** Make sure the AC adapter is plugged into your notebook and to an active AC power source.
- 3** Make sure that any card installed in the PC Card slot is seated properly. You can also remove the card from the slot, thus eliminating it as a possible cause of failure.
- 4** Make sure that any devices connected to the external connectors are plugged in properly. You can also disconnect such devices, thus eliminating them as possible causes of failure.
- 5** Turn on your notebook. Make sure it has been off at least 10 seconds before you turn it back on.
- 6** Go through the boot sequence.
- 7** If the problem has not been resolved, refer to the Troubleshooting Table, that follows, for more detailed troubleshooting information.



IF YOU KEEP NOTES ABOUT WHAT YOU HAVE TRIED, YOUR SUPPORT REPRESENTATIVE MAY BE ABLE TO HELP YOU MORE QUICKLY BY GIVING ADDITIONAL SUGGESTIONS OVER THE PHONE.

- 8** If you have tried the solutions suggested in the Troubleshooting Table without success, contact your support representative:

Toll free: 1-800-8Fujitsu (1-800-838-5487)

Web site: <http://www.computers.us.fujitsu.com/support>.

Before you place the call, you should have the following information ready so that the customer support representative can provide you with the fastest possible solution:

- Product name
- Product configuration number
- Product serial number
- Purchase date
- Conditions under which the problem occurred
- Any error messages that have occurred
- Type of device connected, if any

See the Configuration Label on the bottom of your notebook for configuration and serial numbers.

Specific Problems

Using the Troubleshooting Table

When you have problems with your LifeBook notebook, try to find the symptoms under the Problem column of the troubleshooting table for the feature giving you difficulty. You will find a description of common causes for that symptom under the column Possible Cause and what, if anything, you can do to correct the condition under Possible Solutions. All possible causes or solutions may not apply to your notebook.

Troubleshooting Table

Problem	Page	Problem	Page
Audio Problems	page 95	Modem Problems	page 98
Optical Drive Problems.	page 95	Serial, USB Problems	page 98
Port Replicator Problems	page 96	PC Card Problems.	page 99
Floppy Disk Drive Problems	page 96	Power Failures.	page 99
Hard Drive Problems	page 97	Shutdown and Startup Problems.	page 101
Keyboard or Mouse Problems	page 97	Video Problems	page 102
Memory Problems	page 98	Miscellaneous Problems	page 104

Problem	Possible Cause	Possible Solutions
Audio Problems		
There is no sound coming from the built-in speakers.	The volume is turned too low.	Adjust the volume on your notebook and operating system using the [Fn+F9] key combination on your keyboard. Press [F9] repeatedly while holding [Fn] to increase the volume of your notebook.
	The software volume control is set too low.	Manually adjusting the volume (i.e. keyboard "hot keys") should dynamically adjust the volume of the operating (see above). If that doesn't work, adjust the sound volume control settings in your software or application.
	Headphones are plugged into your notebook.	Plugging in headphones disables the built-in speakers, remove the headphones.
	Software driver is not configured correctly.	The Audio Driver may be installed or reinstalled by using the Drivers and Applications CD that came with your LifeBook. Refer to your application and operating system documentation for help.
	The speakers have been muted using the Volume icon in the system tray.	Click on the Volume icon in the tool tray on the bottom right of the screen. (It looks like a speaker). If the Mute box is checked, click on it to uncheck it. You can also use the [Fn+F3] key combination to toggle the volume on and off. Pressing [F3] while holding [Fn] will toggle the audio mute.
Optical Drive Problems		
LifeBook notebook fails to recognize Blu-ray/DVD/CD-RW/CD-ROM's.	The disc is not pushed down onto raised center circle of the drive.	Open optical drive tray and re-install the disc properly.
	Optical drive tray is not latched shut.	Push on the front of the optical drive tray until it latches. If that doesn't work, pull out the modular drive latch, remove the device from the bay, then re-insert the drive until it latched; this ensures that the drive is properly seated.
	Incorrect DVD Player or no DVD Player software is installed.	Install DVD Player software. <i>(See "Media Player Software" on page 68 for more information.)</i>

Problem	Possible Cause	Possible Solutions
LifeBook notebook fails to recognize DVD/CD-RW/CD-ROM's. (continued)	Wrong drive designator was used for the disc in the application.	Verify the drive designator used by the application is the same as the one used by the operating system. When the operating system is booted from a DVD/CD, drive designations are automatically adjusted. Note that the drive designation can be changed with the Disk Management tool located at Administrative Tools > Computer Management .
	DVD/CD-RW/CD-ROM is dirty or defective.	Wipe the disc with a non-abrasive CD cleaning cloth and reinsert. If it still will not work try another disc in the drive.
The drive access indicator on the Status Indicator Panel blinks at regular intervals with no disc in the tray or the drive is not installed.	The Windows auto insertion function is active and is checking to see if a disc is ready to run.	This is normal. However, you may disable this feature.
Port Replicator Problems		
Note: Be sure to power down your LifeBook notebook before adding a printer to the Port Replicator parallel port.		
Notebook does not turn on when installed in the optional Port Replicator	Port Replicator AC adapter is not plugged in.	Provide power to the Port Replicator.
	Notebook is not properly seated in the Port Replicator.	Remove and re-dock your LifeBook notebook.
Floppy Disk Drive Problems		
You cannot access your optional external floppy disk.	You tried to write to a write protected floppy disk.	Eject the disk and set it to write enable.
	Disk is not loaded correctly.	Eject floppy disk, check orientation and re-insert.
	The drive may not be properly installed.	Remove and re-install your floppy disk drive.

Problem	Possible Cause	Possible Solutions
You cannot access your optional external floppy disk. (continued)	Security is set to protect floppy disk data access.	Verify your password and security settings.
Hard Drive Problems		
You cannot access your hard drive.	The wrong drive designator was used by an application when a bootable disc was used to start the notebook.	Verify drive designator used by application is in use by the operating system. When the operating system is booted from a CD, drive designations are automatically adjusted.
	Security is set so your OS cannot be started without a password.	Verify your password and security settings.
Keyboard or Mouse Problems		
The built-in keyboard does not seem to work.	The notebook has gone into Sleep mode.	Push the Power/Suspend/Resume button.
	The application has locked out the keyboard.	Try to use your integrated pointing device to restart your system.
You have installed an external keyboard or mouse, and it does not seem to work.	Your external device is not properly installed.	Re-install your device. <i>See "Device Ports" on page 85.</i>
	Your operating system software is not set up with correct software driver for that device.	Check your device and operating system documentation and activate the proper driver.
	Your system crashed.	Try to restart your notebook.
You have connected an external keyboard or a mouse and it seems to be locking up the system.	Your operating system software is not setup with correct software driver for that device.	Check your device and operating system documentation and activate the proper driver.

Problem	Possible Cause	Possible Solutions
Memory Problems		
Your Power On screen does not show the correct amount of installed memory.	Memory upgrade module improperly installed.	Remove and re-install your memory upgrade module. See <i>“Memory Upgrade Module” on page 81.</i>
	You have a memory failure.	Check for Power On Self Test (POST) messages. See <i>“Power On Self Test Messages” on page 105.</i>
Modem Problems		
Messages about modem operation.	Messages about modem operation are generated by whichever modem application is in use.	See your application software documentation for additional information.
Serial and USB Problems		
You have installed a serial, or USB device. Your LifeBook notebook does not recognize the device, or the device does not seem to work properly.	The device is not properly installed.	Remove and re-install the device. See <i>“Device Ports” on page 85.</i>
	Your device may not have the correct software driver active.	See your software documentation and activate the correct driver.
	In Windows Vista, you must either have any USB device connected before booting or wait a few minutes after booting before connecting it. You must wait a few minutes	<i>(Microsoft Windows Vista users only):</i> When attaching a USB device, do one of the following: Be sure to attach the device BEFORE turning on your system, OR, wait for approximately three minutes after the system boots up before attaching the device. If you prefer not to wait the prescribed time to connect your USB device, you must disable the Selective Suspend feature. To do so, go to Start > Control Panel. In the left panel, select Classic view. Click on Power Options > Change plan settings > Change advanced power settings. Select USB settings, then select Disabled from the pull-down menu for USB selective suspend setting. Click [OK] to complete the process.
	Parallel port is set to output only.	Check parallel port setting in the BIOS and set to bi-directional or ECP.

Problem	Possible Cause	Possible Solutions
<p>You have installed a serial, or USB device. Your LifeBook notebook does not recognize the device, or the device does not seem to work properly. (continued)</p>	<p>A device may have been installed while an application was running, so the notebook is not aware of its installation.</p>	<p>Close the application and restart your notebook.</p>
PC Card/ExpressCard Problems		
<p>A card inserted in the PC Card or ExpressCard slot does not work or is locking up the system.</p>	<p>The card is not properly installed.</p>	<p>Remove and re-install the card. <i>See "PC Cards/ExpressCards™" on page 76.</i></p>
	<p>Your software may not have the correct software driver active.</p>	<p>See your software documentation and activate the correct driver.</p>
<p>A card inserted in the PC Card or ExpressCard slot does not work or is locking up the system. (continued)</p>	<p>The card may have been installed while an application was running, so your notebook is not aware of its installation.</p>	<p>Close the application and restart your notebook.</p>
	<p>You may have the wrong I/O address selected for your card device.</p>	<p>See your PC Card/ExpressCard documentation to determine the required I/O address. Change the settings in the Device Manager.</p>
Power Failures		
<p>You turn on your LifeBook notebook and nothing seems to happen.</p>	<p>The installed primary battery is completely discharged, there is no optional second battery installed or there is no power adapter installed.</p>	<p>Check the Status Indicator Panel to determine the presence and condition of the batteries. See "Status Indicator Panel" on page 24. Install a charged battery or a Power adapter.</p>

Problem	Possible Cause	Possible Solutions
<p>You turn on your LifeBook notebook and nothing seems to happen.</p>	<p>The primary battery is installed but is faulty.</p>	<p>Use the Status Indicator panel to verify the presence and condition of the batteries. See “Status Indicator Panel” on page 24. If a battery is indicating a short, remove that battery and operate from another power source or replace that battery.</p>
	<p>The battery or batteries are low.</p>	<p>Check the Status Indicator Panel to determine the battery(s) condition. See “Status Indicator Panel” on page 24. Use power adapter to operate until a battery is charged or install a charged battery.</p>
	<p>The power adapter is not plugged in properly.</p>	<p>Verify that your adapter is connected correctly. See “Power Sources” on page 46.</p>
	<p>The power adapter (AC or auto/airline) is faulty.</p>	<p>Try a different Power adapter or install a charged optional second battery.</p>
	<p>AC adapter has no power from AC outlet, airplane seat jack, or car cigarette lighter.</p>	<p>Move the AC cord to a different outlet, check for a line switch or tripped circuit breaker for the AC outlet. If you are using an auto/airline adapter in a car make sure the ignition switch is in the On or Accessories position.</p>
<p>Your LifeBook notebook turns off all by itself.</p>	<p>Power management parameters are set for auto timeouts which are too short for your needs.</p>	<p>Press any button on the keyboard, or move the mouse to restore operation. If that fails, push the Power/Suspend/Resume button. Check your power management settings, or close your applications and go to the Power Options Properties located in the Control Panel to adjust the timeout values to better suit your needs.</p>
	<p>You have a battery failure.</p>	<p>Verify the condition of the batteries using the Status Indicator panel, and replace or remove any batteries that are shorted. See “Status Indicator Panel” on page 24.</p>
	<p>You are operating on battery power and ignored a low battery alarm until the battery is dead and the system has gone into Dead Battery Suspend mode.</p>	<p>Install a power adapter and then push the Power/Suspend/Resume button. See “Power Sources” on page 46.</p>

Problem	Possible Cause	Possible Solutions
Your LifeBook notebook turns off all by itself. (continued)	Your power adapter has failed or lost its power.	Make sure the adapter is plugged in and the outlet has power.
Your LifeBook notebook will not work on battery alone.	No battery is installed.	Install a charged battery.
	Installed battery is dead.	Replace the battery with a charged one or install a power adapter.
	The batteries are improperly installed.	Verify that the batteries are properly connected by re-installing them.
	Your installed batteries are faulty.	Verify the condition of the batteries using the Status Indicator panel and replace or remove any batteries that are shorted. See <i>"Status Indicator Panel"</i> on page 24.
The batteries seem to discharge too quickly.	You are running an application that uses a lot of power.	Use both the primary battery and an optional second battery and/or use a power adapter for this application when at all possible.
	The power savings features may be disabled.	Check the Power Options menu settings and adjust according to your operating needs.
	The brightness is turned all the way up.	Turn down the brightness adjustment. The higher the brightness the more power your display uses.
	The batteries are old.	Replace the batteries.
	Batteries were exposed to high temperatures.	Replace the batteries.
	The batteries are too hot or too cold.	Restore the notebook to normal operating temperature. Charging icon on the Status Indicator panel will flash when battery is outside of operating range.
Shutdown and Startup Problems		
The Suspend/Resume button does not work.	There may be application software conflict	Close all applications and try the button again.

Problem	Possible Cause	Possible Solutions
The Suspend/Resume button does not work(continued)	Suspend/Resume button is disabled.	In Windows XP, enable the button by going to the Control Panel -> Power Options Properties and clicking on the Advanced tab. In the Power buttons area, select the option that best suits your needs. In Windows Vista/7, select "Choose what the power button does".
The system powers up, and displays power on information, but fails to load the operating system.	You have a secured system requiring a password to load your OS.	Make sure you have the right password. Enter the setup utility and verify the Security settings and modify them as accordingly. See <i>"BIOS Setup Utility" on page 52.</i>
	Internal hard drive was not detected.	Use the BIOS setup utility or Primary Master submenu, located within the Main menu, to try to auto detect the internal hard drive.
An error message is displayed on the screen during the boot sequence.	Power On Self Test (POST) has detected a problem.	See the POST messages to determine the meaning and severity of the problem. Not all messages are errors; some are simply status indicators. See <i>"Power On Self Test Messages" on page 105.</i>
Your notebook appears to change setup parameters when you start it.	BIOS setup changes were not saved when you exited setup utility.	Make sure you select Save Changes And Exit when exiting the BIOS setup utility.
	The BIOS CMOS hold-up battery has failed.	Contact your support representative for repairs. This is not a user serviceable part but has a normal life of 3 to 5 years.
Your system display won't turn on when the system is turned on or has resumed.	You have installed the LifeBook/Security Application panel.	Check the Status Indicator Panel for presence of the Security icon. If it is visible, enter your password See "Status Indicator Panel" on page 24.
Video Problems		
The built-in display is blank when you turn on your LifeBook notebook.	The display angle and brightness settings are not adequate for your lighting conditions.	Move the display and the brightness control until you have adequate visibility. Pressing either the [F6] or [F7] keys while holding down the [Fn] key also allows you to change the brightness level of the display.
	The notebook is set for an external monitor only.	Press [F10] while holding down the [Fn] key change your selection of where to send your display video. Each time you press the keys brings you to the next choice. The choices, in order are: built-in display, external monitor, both built-in display and external monitor.

Problem	Possible Cause	Possible Solutions
The built-in display is blank when you turn on your LifeBook notebook. (continued)	Power management timeouts may be set for short intervals and you didn't notice the display come on and go off.	Press a keyboard button or move the mouse to restore operation. If that fails, push the Power/Suspend/Resume button. (The display may be shut off by Sleep mode, Auto Suspend or Video Timeout)
The notebook turned on with a series of beeps and the built-in display is blank.	POST has detected a failure which does not allow display to operate.	Contact your support representative.
The display goes blank by itself after you have been using it.	The notebook has gone into Sleep or Hibernate mode, or Video timeout because it hasn't been used it for a long time.	Press any button on the keyboard, or move the mouse to restore operation. If that fails, push the Power/Suspend/Resume button. Check your power management settings in the Power Options control panel.
	Power management timeouts may be set for short intervals and you didn't notice the display come on and go off.	Press any button on the keyboard, or move the mouse to restore operation. If that fails, push the Power/Suspend/Resume button. (The display may be shut off by Sleep Mode, Auto Suspend or Video Timeout)
Your display won't turn on when the system is turned on or when it has resumed.	The system may be password-protected.	Check the status indicator panel to verify that the Security icon is blinking. If it is blinking, enter your password.
The display does not close.	A foreign object is stuck between the display and keyboard.	Remove all foreign objects from the keyboard.
The display has bright or dark spots.	If the spots are very tiny and few, this is normal for a large LCD display.	This is normal; do nothing.
	If the spots are numerous or large enough to interfere with your operation needs.	Display is faulty; contact your support representative.

Problem	Possible Cause	Possible Solutions
The Display is dark when on battery power.	Power Management utility default is set on low brightness to conserve power.	Press [Fn] + [F7] to increase brightness or double-click on the battery gauge and adjust Power Control under battery settings.
You have connected an external monitor and it does not display any information.	Your external monitor is not properly installed.	Reinstall your device. See <i>“External Video Port”</i> on page 91.
	Your operating system is not set up with the correct device driver.	Check your device and operating system documentation and activate the proper driver.
You have connected an external monitor and it does not come on.	Your external monitor is not compatible with your LifeBook notebook.	See your monitor documentation and the External Monitor Support portions of the Specifications section. See <i>“Specifications”</i> on page 125.
Miscellaneous Problems		
Error message is displayed on the screen during the operation of an application.	Application software often has its own set of error message displays.	See your application manual and help displays screens for more information. Not all messages are errors some may simply be status.

Power On Self Test Messages

The following is an alphabetic list of error-and-status messages that Phoenix BIOS and/or your operating system can generate and an explanation of each message. Error messages are marked with an *. If an error message is displayed that is not in this list, write it down and check your operating system documentation both on screen and in the manual. If you can find no reference to the message and its meaning is not clear, contact your support representative for assistance.

nnnn Cache SRAM Passed

Where nnnn is the amount of system cache in kilobytes successfully tested by the Power On Self Test. (This can only appear if you have an SRAM PC Card installed.)

***Diskette drive A error or Diskette drive B error**

Drive A: or B: is present but fails the BIOS Power On Self Test diskette tests. Check to see that the drive is defined with the proper diskette type in the Setup Utility, See “BIOS Setup Utility” on page 52. and that the diskette drive is installed correctly. If the disk drive is properly defined and installed, avoid using it and contact your support representative.

***Extended RAM Failed at offset: nnnn**

Extended memory not working or not configured properly. If you have an installed memory upgrade module, verify that it is properly installed. If it is properly installed, you may want to check your Windows Setup to be sure it is not using unavailable memory until you can contact a support representative.

nnnn Extended RAM Passed

Where nnnn is the amount of memory in kilobytes successfully tested.

***Failing Bits: nnnn The hex number nnnn**

This is a map of the bits at the memory address (in System, Extended, or Shadow memory) which failed the memory test. Each 1 (one) in the map indicates a failed bit. This is a serious fault that may cause you to lose data if you continue. Contact your support representative.

***Fixed Disk x Failure or Fixed Disk Controller Failure (where x = 1-4)**

The fixed disk is not working or not configured properly. This may mean that the hard drive type identified in your setup utility does not agree with the type detected by the Power On Self Test. Run the setup utility

to check for the hard drive type settings and correct them if necessary. If the settings are OK and the message appears when you restart the system, there may be a serious fault which might cause you to lose data if you continue. Contact your support representative.

***Incorrect Drive A type – run SETUP**

Type of floppy drive A: not correctly identified in Setup. This means that the floppy disk drive type identified in your setup utility does not agree with the type detected by the Power On Self Test. Run the setup utility to correct the inconsistency.

***Incorrect Drive B type – run SETUP**

Type of floppy drive B: not correctly identified in Setup. This means that the floppy disk drive type identified in your setup utility does not agree with the type detected by the Power On Self Test. Run the setup utility to correct the inconsistency.

***Invalid NVRAM media type**

Problem with NVRAM access. In the unlikely case that you see this message you may have some display problems. You can continue operating but should contact a support representative for more information.

***Keyboard controller error**

The keyboard controller test failed. You may have to replace your keyboard or keyboard controller but may be able to use an external keyboard until then. Contact your support representative.

***Keyboard error**

Keyboard not working. You may have to replace your keyboard or keyboard controller but may be able to use an external keyboard until then. Contact your support representative.

***Keyboard error nn**

BIOS discovered a stuck key and displays the scan code for the stuck key. You may have to replace your keyboard but may be able to use an external keyboard until then. Contact your support representative.

***Monitor type does not match CMOS – Run SETUP**

Monitor type not correctly identified in Setup. This error probably means your BIOS is corrupted. Run BIOS setup utility and set all settings to the default conditions. If you still get this error, contact a support representative.

***Operating system not found**

Operating system cannot be located on either drive A: or drive C: Enter the setup utility and see if both the fixed disk, and drive A: are properly identified and that the boot sequence is set correctly. Unless you have changed your installation greatly, the operating system should be on drive C:. If the setup utility is correctly set, your hard drive may be corrupted.

***Parity Check 1 nnnn**

Parity error found in the system bus. BIOS attempts to locate the address and display it on the screen. If it cannot locate the address, it displays ?????. This is a potentially data destroying failure. Contact your support representative.

***Parity Check 2 nnnn**

Parity error found in the I/O bus. BIOS attempts to locate the address and display it on the screen. If it cannot locate the address, it displays ?????. This is a potentially data-destroying failure. Contact your support representative.

***Press <F1> to resume, <F2> to SETUP**

Displayed after any recoverable error message. Press the [F1] key to continue the boot process or the [F2] key to enter Setup and change any settings.

***Previous boot incomplete – Default configuration used**

Previous Power On Self Test did not complete successfully. The Power On Self Test will load default values and offer to run Setup. If the previous failure was caused by incorrect values and they are not corrected, the next boot will likely fail also. If using the default settings does not allow you to complete a successful boot sequence, you should turn off the power and contact your support representative.

***Real time clock error**

Real-time clock fails BIOS test. May require board repair. Contact your support representative.

***Shadow RAM Failed at offset: nnnn**

Shadow RAM failed at offset nnnn of the 64k block at which the error was detected. You are risking data corruption if you continue. Contact your support representative.

nnnn Shadow RAM Passed

Where nnnn is the amount of shadow RAM in kilobytes successfully tested.

***System battery is dead – Replace and run SETUP**

The BIOS CMOS RAM memory hold up battery is dead. This is part of your BIOS and is a board mounted battery which requires a support representative to change. You can continue operating but you will have to use setup utility default values or reconfigure your setup utility every time you turn off your notebook. This battery has an expected life of 2 to 3 years.

System BIOS shadowed

System BIOS copied to shadow RAM.

***System CMOS checksum bad – run SETUP**

BIOS CMOS RAM has been corrupted or modified incorrectly, perhaps by an application program that changes data stored in BIOS memory. Run Setup and reconfigure the system.

***System RAM Failed at offset: nnnn**

System memory failed at offset nnnn of in the 64k block at which the error was detected. This means that there is a fault in your built-in memory. If you continue to operate, you risk corrupting your data. Contact your support representative for repairs.

nnnn System RAM Passed

Where nnnn is the amount of system memory in kilobytes successfully tested.

***System timer error**

The timer test failed. The main clock that operates the computer is faulty. Requires repair of system board. Contact your support representative for repairs.

UMB upper limit segment address: nnnn

Displays the address of the upper limit of Upper Memory Blocks, indicating released segments of the BIOS memory which may be reclaimed by a virtual memory manager.

Video BIOS shadowed

Video BIOS successfully copied to shadow RAM.

Modem Result Codes

The operating system and application software that is factory installed detects the modem characteristics and provides the necessary command strings to operate the modem. The internal modem operation is controlled by generic AT commands from the operating system and application software. The standard long form result codes may, in some cases, be displayed on your screen to keep you informed of the actions of your modem. The operating system and application software may suppress display of the result codes.

Examples of result codes are:

- OK
- NO CARRIER
- NO DIALTONE
- CONNECT 53000 (Connection complete at 53,000 bps.)
- ERROR
- FAX
- RING (This means an incoming call.)
- BUSY
- NO ANSWER

When using the internal modem with applications that are not factory installed refer to the application documentation.

Restoring Your Pre-installed Software

The location of your applications, drivers, and utilities is determined by the operating system you are running.

Microsoft Windows 7 Professional: Please use the information contained in the “Saving and Recovering Your Factory and System Images” booklet that was packed with your system.

Microsoft Windows Vista or Windows XP Editions: Please use the following instructions.

The Drivers and Applications Restore (DAR) CD contains sets of device drivers and Fujitsu utilities (in specific directories) that are unique to your computer configuration for use as documented below.



IF YOU HAVE ACCESS TO THE INTERNET, VISIT THE FUJITSU SUPPORT WEBSITE AT [HTTP://WWW.COMPUTERS.US.FUJITSU.COM/SUPPORT](http://www.computers.us.fujitsu.com/support) TO CHECK FOR THE MOST CURRENT INFORMATION, DRIVERS AND HINTS ON HOW TO PERFORM RECOVERY AND SYSTEM UPDATES.

Re-installing Individual Drivers and Applications

The Drivers and Applications CD can be used to selectively re-install drivers and/or applications that may have been un-installed or corrupted.



THERE MAY BE CERTAIN FREE THIRD-PARTY APPLICATIONS PRE-INSTALLED ON YOUR SYSTEM THAT ARE NOT ON THE DAR CD. THE LATEST VERSIONS OF THE APPLICATIONS CAN BE DOWNLOADED FROM THE THIRD-PARTY'S WEBSITE.

To re-install drivers and/or applications:

- 1 Boot up the system and insert the DAR CD after Windows has started. A Fujitsu Installer screen is displayed after the CD is inserted.
- 2 After reading the License Agreement, click [I agree].

- 3 A window will appear containing a list of applications, drivers, and utilities that you can install from the Drivers and Applications CD.



THE COMPONENTS LISTED ARE COLOR-CODED IN TERMS OF THEIR INSTALL STATUS. BLUE INDICATES THAT THE COMPONENT CAN BE INSTALLED. GREEN INDICATES THAT THE COMPONENT NEEDS TO BE INSTALLED SEPARATELY. GREY INDICATES A COMPONENT THAT IS ALREADY INSTALLED; GREY ITEMS CAN BE REINSTALLED, BUT PRIOR TO INSTALLATION YOU WILL RECEIVE A REMINDER THAT THE COMPONENT IS ALREADY INSTALLED.

- 4 In the list, check off all the components you want to install. If you want to install all components, click [Select All]. Clicking [Select All] will select all of the blue-coded components; you must select grey and green components separately.
- 5 Once you have selected the components you wish to install, click [Install Selected Subsystems]; the components will be installed.
- 6 After the components are installed, click [OK], then click [Yes] when asked if you want to reboot the system.

Restoring the Operating System for Windows

The Recovery and Utility disc contains four utilities:

- The **Recovery** utility allows you to restore the system operating system (OS). The restored OS is the same one that was originally installed on the hard disk drive. After the OS is restored, you will need to reinstall the drivers and applications from the Drivers and Applications Restore disc and from any application discs that were bundled with the system when you purchased it.
- The **Hard Disk Data Delete** utility on this disc is used to delete all data on your hard disk and prevent it from being reused. Do not use the Hard Disk Data Delete utility unless you are absolutely certain that you want to erase your entire hard disk, including all partitions.
- The **Partition Creation** utility allows you to create a new D: partition or resize existing partitions on your hard disk. **NOTE: Creating or resizing partitions with this utility will cause all data on the hard disk to be completely erased.**
- The **Diagnostics** utility allows the IT professional to determine device status/condition by executing diagnostics tests on selected system components.

Methods for accessing the utilities

Certain LifeBook models have the Recovery and Utility applets pre-installed. Other systems require that the Recovery and Utility disc be used (or in the event the hard disk has been reformatted).

In order to determine the method for accessing the Recovery and Utility applet, perform the following procedures in order.

Determining whether Recovery and Utility is pre-loaded

- 1 Turn on or reboot your system. When the Fujitsu logo appears, press [F12] key.
- 2 From the Boot Menu that appears, check whether the <Recovery and Utility> option is present. If it is not present, it means that the utility must be used from the disc. Proceed to “Running Recovery and Utility from the disc” if <Recovery and Utility> is unavailable.
- 3 You can also use the TrustedCore menu to determine whether the utility is pre-loaded by powering on your system then pressing the {Enter} key when the Fujitsu logo appears on the screen. The TrustedCore Menu will appear and the Recovery and Utility option will appear in the menu.

Running Recovery and Utility from hard disk

- 1 Cursor down to <Recovery and Utility> and press the [Enter] key.
- 2 While the files are being loaded from the disc, a progress bar will appear at the bottom of the screen.
- 3 When the System Recovery Options dialog opens, select a new keyboard layout, if necessary, then click [Next].
- 4 When the Operating System dialog appears, click [Next].
- 5 If necessary, enter your password, then click [OK].
- 6 When System Recovery Options window appears, click on Recovery and Utility.
- 7 The Recovery and Utility screen appears on the screen with three tabs: Diagnostics, Recovery and Utility. Please note that Diagnostics tab is not supported on certain LifeBook/Stylistic models when running Recovery and Utility from the hard disk. In order to restore the operating system, please insert the “Recovery and Utility” disc in the optical drive and use the Start Recovery function under the Recovery tab. For more information about the tabs, go to “Recovery and Utility tabs” on page 113.

Running Recovery and Utility from the disc



- THE USE OF THIS DISC REQUIRES THAT YOU HAVE A DEVICE CAPABLE OF READING CDs ATTACHED TO YOUR SYSTEM. YOU WILL NEED TO ATTACH AN EXTERNAL PLAYER. FOR MORE INFORMATION ON AVAILABLE EXTERNAL DEVICES, VISIT OUR WEB SITE AT: [HTTP://SOLUTIONS.US.FUJITSU.COM/](http://solutions.us.fujitsu.com/).
- THIS DISC CAN ONLY BE USED WITH THE SYSTEM WITH WHICH IT WAS PURCHASED.

Procedure

To verify/change the boot-up priority (rather than booting-up from the hard drive or an external floppy disk drive), perform the following steps:

- 1** Power on your system. When the Fujitsu logo appears on the screen. press the [Enter] key or click on the left mouse or touchpad button; the TrustedCore Menu will appear.
- 2** Select the **Boot Menu** from the TrustedCore Menu.
- 3** Highlight the **CD/DVD** option.
- 4** Insert the Recovery and Utility Disc into the drive tray.
- 5** Click [OK]. While the files are being loaded from the disc, a progress bar will appear at the bottom of the screen.
- 6** When the Recovery and Utility screen appears, three tabs will be present: Diagnostics, Recovery, and Utility.

Recovery and Utility tabs

Diagnostics tab: The Diagnostics tool is designed for use by IT professionals. It is not likely you will need to use this tool. When you select devices from the Diagnosis window then click [Execute], several tests are performed on the selected components.

Recovery tab: The Recovery tab contains the Start Recovery tool. Note that the recovery process erases all data from the C: drive. If you decide to use the recovery tool, be sure to back up all data that you don't want to lose. Also note that you must run the system using your AC adapter while running the recovery tool. To use the Recovery tool, select the Start Recovery function, click on the [Execute] button, then follow the instructions on the screen.

Utility tab: The Utility tab contains three tools: System Restore, Hard Disk Data Delete and Partition Creation.

- **System Restore** can help fix problems that might be making your computer run slowly or stop responding. System Restore enables you in rolling back the system to an earlier restore point, and does not affect any of your documents, pictures, or other personal data.
- The **Hard Disk Data Delete** utility is used to delete all data on the hard disk and prevent the data from being reused. **NOTE: Do not use the Hard Disk Data Delete utility unless you are absolutely certain that you want to erase your entire hard disk, including all partitions.**
- The **Partition Creation** utility allows you to create a D: partition or resize existing partitions on your hard disk. **NOTE: Creating or resizing partitions with this utility will cause all data on the hard disk to be completely erased.**

Automatically Downloading Driver Updates

Your system has a convenient tool called the Fujitsu Driver Update (FDU) utility. With FDU, you can choose to automatically or manually go to the Fujitsu site to check for new updates for your system.

The FDU icon should appear in the system tray at the bottom right of your screen (roll the cursor over the icons to find the correct one). If the icon does not appear in the system tray, go to [Start] -> All Programs, and click on Fujitsu Driver Update; this will create the icon automatically.

To invoke the FDU menu, you can either right-click on the FDU icon or hold the pen on the icon for a couple of seconds until the menu appears. The menu contains the following items:

Check for updates now

Allows for manual driver update search. The first time it is used, you are prompted to agree to a user agreement. After clicking on the icon, the FDU automatically connects with the Fujitsu site to check for updates and downloads them. While downloading, the icon has a red bar through it, indicating that it cannot be used while the download is in process. When the update is complete, a message appears informing you of the fact.

Enable Automatic Update Notifications

Automatically searches for new updates on a regular basis (approximately every 3 days).

Show update history

Brings up a screen that displays a history of updates that have been made via the FDU.

About Fujitsu Driver Update

Displays the FDU version number and copyright information

Fujitsu Driver Update Readme

Displays the FDU readme.

Chapter 5

Care and Maintenance

Caring for your LifeBook Notebook

If you use your Fujitsu LifeBook notebook carefully, you will increase its life and reliability. This section provides some tips for looking after the notebook and its devices.



- DO NOT REMOVE ANY SCREWS FROM THE MEMORY UPGRADE MODULE COMPARTMENT EXCEPT THE ONES SPECIFICALLY SHOWN IN THE DIRECTIONS FOR INSTALLING AND REMOVING THE MEMORY UPGRADE MODULE.
- THE MEMORY UPGRADE MODULE CAN BE SEVERELY DAMAGED BY ELECTROSTATIC DISCHARGE (ESD). TO MINIMIZE RISK TO THE MODULE, OBSERVE THE FOLLOWING PRECAUTIONS:
 - BEFORE HANDLING A MEMORY MODULE, TOUCH A GROUNDED METAL OBJECT TO DISCHARGE STATIC ELECTRICITY BUILT UP IN YOUR BODY.
 - WHEN INSTALLING OR REMOVING A MEMORY MODULE, HOLD IT BY THE EDGE SO AS NOT TO TOUCH ANY CONTACTS OR CHIPS. BE CAREFUL NOT TO TOUCH ANY INTERNAL TERMINALS OR COMPONENTS; THE OIL FROM YOUR FINGERS COULD CAUSE A SHORT TO THE COMPONENTS.
 - BE SURE TO POWER DOWN YOUR SYSTEM BEFORE ADDING OR REMOVING MEMORY MODULES. EVEN IF THE SYSTEM IS IN HIBERNATE OR SLEEP STATES, DATA COULD BE LOST OR THE MEMORY COULD BE DAMAGED IF POWER IS STILL AVAILABLE TO THE SYSTEM.

- Your LifeBook notebook is a durable but sensitive electronic device. Treat it with respect and care.
- Make a habit of transporting it in a suitable carrying case.
- Do not attempt to service the computer yourself. Always follow installation instructions closely.
- Keep it away from food and beverages.
- To protect your notebook from damage and to optimize system performance, be sure to **keep all air all vents unobstructed, clean, and clear of debris**. This may require periodic cleaning, depending upon the environment in which the system is used.
- Do not operate the notebook in areas where the air vents can be obstructed, such as in tight enclosures or on soft surfaces like a bed or cushion.
- If you accidentally spill liquid on your LifeBook notebook:
 - 1 Turn it off.
 - 2 Position it so that the liquid can run out.
 - 3 Let it dry out for 24 hours, or longer if needed.
 - 4 If your notebook will not boot after it has dried out, call your support representative.
- Do not use your Fujitsu LifeBook notebook in a wet environment (near a bathtub, swimming pool).
- Always use the AC adapter and batteries that are approved for your notebook.
- Avoid exposure to sand, dust and other environmental hazards.
- Do not expose your notebook to direct sunlight for long periods of time as temperatures above 140° F (60° C) may damage your notebook.
- Keep the covers closed on the connectors and slots when they are not in use.
- Do not put heavy or sharp objects on the computer.
- If you are carrying your LifeBook notebook in a briefcase, or any other carrying case, make sure that there are no objects in the case pressing on the lid.
- Never position your notebook such that the optical drive is supporting the weight of the notebook.

Cleaning your LifeBook notebook

- Always disconnect the power plug. (Pull the plug, not the cord.)
- Clean your LifeBook notebook with a damp, lint-free cloth. Do not use abrasives or solvents.
- Use a soft cloth to remove dust from the screen. Never use glass cleaners.
- Always shut down the computer, unplug the power adapter, and remove the battery when cleaning or disinfecting the computer exterior, keyboard or LCD display.

Cleaning guidelines using recommended off-the-shelf cleaners

Computer exterior, computer keyboard

To clean the exterior and keyboard, use one of the following off-the-shelf products:

- Office Depot® #154-616 Notebook Cleaning Kit
- Meridrew Enterprises Klear_Screen® Wipes
- 3M CL563 Cleaner Wipes

Note: After cleaning with one of these products, gently polish with a dry, soft, lint-free cloth until the solution is no longer visible.

LCD display

To clean the LCD display, use one of the following off-the-shelf products:

- Office Depot® #154-616 Notebook Cleaning Kit
- Meridrew Enterprises Klear_Screen® Wipes

* Applies to Tablet PC, convertible PC with LCD shield, and standard notebook LCD displays.

Wipe the LCD surface gently, allowing it to dry before turning on the computer.

Disinfecting LifeBook computers

- Wipe the surface with a soft cloth wipe and a 50% ethanol solution or use another ethanol-based germicide which has been registered as a hospital disinfectant by the EPA.
- USE OF INCORRECT CLEANERS CAN RESULT IN OPTICAL IMPAIRMENT OF THE LCD AND/OR DAMAGE TO THE COMPUTER. ALWAYS REFER TO THE CLEANER MANUFACTURER'S GUIDELINES AND MATERIAL SAFETY DATA SHEETS FOR PROPER HANDLING AND USE OF THE PRODUCTS.
- NEVER USE AMMONIA, ACIDIC, OR ALKALINE CLEANERS OR ORGANIC CHEMICALS SUCH AS PAINT THINNER, ACETONE, PROPYL OR ISOPROPYL ALCOHOL, OR KEROSENE. IT MAY DAMAGE SURFACE FINISHES AND THE COATING OF THE LCD SCREEN.
- NEVER USE COMPRESSED AIR FOR CLEANING STYLISTIC AND LIFEBOOK PCs.



Cleaning the dust filter cover

Your LifeBook is equipped with fans to make air flow inside by pulling in outside air to cool the inside of the system. Depending on the environment in which the system is used, dust and dirt may be pulled in along with the air. Accumulated dust and dirt could impair the function of the system.



- **REMOVE AC ADAPTER:** BEFORE REMOVING THE FILTER COVER, TURN OFF THE SYSTEM AND PERIPHERALS AND DISCONNECT THE AC ADAPTER.
 - **CLEANING THE FILTER:**
 - DO NOT USE DETERGENT
 - AVOID DAMAGING THE FILTER; DAMAGE TO THE FILTER IS NOT COVERED BY WARRANTY.
 - USE PLASTIC TOOLS TO CLEAN THE FILTER. METAL OR WOODEN TOOLS COULD DAMAGE THE FILTER.
 - **ESD:** BEFORE CLEANING THE FILTER, TOUCH A METAL OBJECT TO DISCHARGE STATIC ELECTRICITY.
- 1 Turn off your computer and disconnect the AC adapter.
 - 2 Close the display panel and turn the system upside down.
 - 3 Remove the dust filter cover by pressing the latch towards the filter cover and lifting it out (Figure 32).
 - 4 Carefully clean the dust filter and the air-cooling duct.

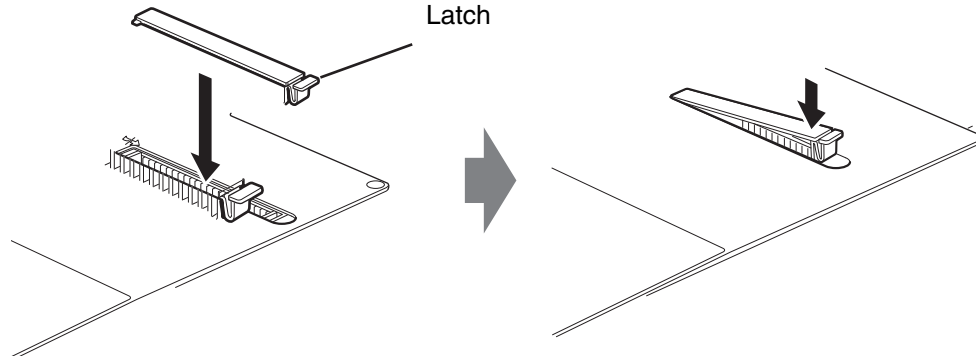


Figure 32. Removing/installing the dust filter cover

- 5** Put back the dust filter cover by inserting the end without latch first (positioning the key inside first), and pushing in the filter cover until it latches.



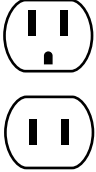



ALWAYS BE SURE THE DUST FILTER COVER IS INSTALLED WHEN RUNNING YOUR SYSTEM. NOT USING THE FILTER COVER COULD CAUSE CONTAMINATION AND POSSIBLE DAMAGE TO THE SYSTEM.

Storing your LifeBook notebook

- If storing your notebook for a month or longer, turn your LifeBook notebook off, fully charge the battery(s), then remove and store all Lithium ion batteries.
- Store your notebook and batteries separately. If you store your LifeBook with a battery installed, the battery will discharge, and battery life will be reduced. In addition, a faulty battery might damage your LifeBook.
- Store your Fujitsu LifeBook in a cool, dry location. Temperatures should remain between 13°F (-25°C) and 140°F (60°C).

Traveling with your LifeBook notebook

- Do not transport your notebook while it is turned on.
- It is recommended that you carry your notebook with you while traveling, rather than checking it in as baggage.
- Always bring your System Recovery CD that came with your notebook when you travel. If you experience system software problems while traveling, you may need it to correct any problems.
- Never put your notebook through a metal detector. Have your notebook hand-inspected by security personnel. You can however, put your notebook through a properly tuned X-ray machine. To avoid problems, place your notebook close to the entrance of the machine and remove it as soon as possible or have your notebook hand-inspected by security personnel. Security officials may require you to turn your notebook On. Make sure you have a charged battery on hand.
- Take the necessary plug adapters if you're traveling overseas. Check the following diagram to determine which plug adapter you'll need or ask your travel agent.

Outlet Type			Location
	United States, Canada, parts of Latin America, Mexico, Japan, Korea, the Philippines, Taiwan		United Kingdom, Ireland, Malaysia, Singapore, parts of Africa
	Russia and the Commonwealth of Independent States (CIS), most of Europe, parts of Latin America, the Middle East, parts of Africa, Hong Kong, India, most of South Asia		China, Australia, New Zealand

Batteries

Caring for your Batteries

- Always handle batteries carefully.
- Do not short-circuit the battery terminals (that is, do not touch both terminals with a metal object). Do not carry loose batteries in a pocket or purse where they may mix with coins, keys, or other metal objects. Doing so may cause an explosion or fire.
- Do not drop, puncture, disassemble, mutilate or incinerate the battery.
- Recharge batteries only as described in this manual and only in ventilated areas.
- Do not leave batteries in hot locations for more than a day or two. Intense heat can shorten the life of your battery.
- Do not leave a battery in storage for longer than 6 months without recharging it.

Increasing Battery Life

- Power your LifeBook notebook through the AC or optional auto/airline adapter whenever possible.
- If your notebook is running on battery power all day, connect it to the AC adapter overnight to recharge the battery.
- Keep brightness to the lowest level comfortable.
- Set the power management for maximum battery life.
- Put your notebook in Sleep mode when it is turned on and you are not actually using it.
- Limit your media drive access.
- Disable the Media Player auto insert notification function.
- Always use fully charged batteries.
- Eject PCMCIA cards and ExpressCards when not in use.

Media Care

Caring for your Media (Blu-ray/DVD/CD/CD-R)

Media discs are precision devices and will function reliably if given reasonable care.

- Always store your media disc in its case when it is not in use.
- Always handle discs by the edges and avoid touching the surface.
- Avoid storing any media discs in extreme temperatures.
- Do not bend media discs or set heavy objects on them.
- Do not spill liquids on media discs.
- Do not scratch media discs.
- Do not get dust on media discs.
- Never write on the label surface with a ballpoint pen or pencil. Always use a felt pen.
- If a media disc is subjected to a sudden change in temperature, cold to warm condensation may form on the surface. Wipe the moisture off with a clean, soft, lint free cloth and let it dry at room temperature. DO NOT use a hair dryer or heater to dry media discs.
- If a disc is dirty, use only a disc cleaner or wipe it with a clean, soft, lint free cloth starting from the inner edge and wiping to the outer edge.

Caring for your Optical Drive

Your optical drive is durable but you must treat it with care. Please pay attention to the following points:

- The drive rotates the compact disc at a very high speed. Do not carry it around or subject it to shock or vibration with the power on.
- Avoid using or storing the drive where it will be exposed to extreme temperatures.
- Avoid using or storing the drive where it is damp or dusty.
- Avoid using or storing the drive near magnets or devices that generate strong magnetic fields.
- Avoid using or storing the drive where it will be subjected to shock or vibration.

- Do not disassemble or dismantle the optical drive.
- Use of a commercially available lens cleaner is recommended for regular maintenance of your drive.

Caring for your Cards

PC Cards and ExpressCards are durable, but you must treat them with care. The documentation supplied with your card will provide specific information, but you should pay attention to the following points:

- To keep out dust and dirt, store cards in their protective sleeves when they are not installed in your LifeBook notebook.
- Avoid prolonged exposure to direct sunlight or excessive heat.
- Keep the cards dry.
- Do not flex or bend the cards, and do not place heavy objects on top of them.
- Do not force cards into the slot.
- Avoid dropping cards, or subjecting them to excessive vibration.

Chapter 6

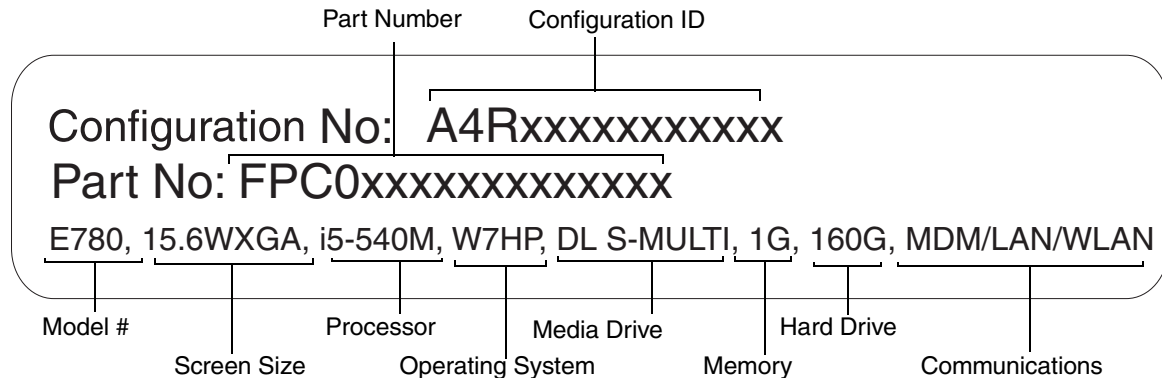
System Specifications

Specifications

This section provides the hardware and environmental specifications for your Fujitsu LifeBook notebook. Specifications of particular configurations will vary.

Configuration Label

The configuration label located on the bottom of your notebook contains specific information regarding the options you've chosen for your notebook. Following is an example configuration label.



Microprocessor

Intel® Core™ i5 or i7 Processors (Refer to the system label to determine the speed of your processor).

Chipset

- Intel QM57 Express Chipset

Memory

System Memory

- DDR3-1066 MHz SDRAM dual-channel memory module.
- Two DIMM slots; upgradeable to 8 GB of total memory (4 GB x 2).

Cache Memory

- L1 cache: 32 KB x 2
- L2 cache: 256 KB
- L3 cache: 3 MB or 4 MB on-die (depending upon system processor)

Video

Built-in color flat-panel TFT active matrix LCD display with simultaneous display capability.

Video Color and Resolution

15.6" Crystal View Wide HD model:

- Internal: 1366 x 768 pixel resolution, 16M colors
- External: 1920 x 1200 pixel resolution, 16M colors
- Simultaneous: 1360 x 768, 16M colors
- DisplayPort: 2650 x 1600
- DVI (port replicator only): 1920 x 1200

15.6" TFT Wide HD+ model:

- Internal: 1600 x 900 pixel resolution, 16M colors
- External: 1920 x 1200, 16M colors
- Simultaneous: 1600 x 900, 16M colors
- DisplayPort: 2650 x 1600
- DVI (port replicator only): 2650 x 1600

Video RAM

Depending upon your configuration, your system has one of the following Video RAM technologies:

- Intel® HD Graphics with dynamic frequency. Automatically distributes performance to CPU and graphics applications that need an extra boost up to approximately 20%, or,
- NVIDIA® GeForce® GT 330M with 1 GB of dedicated memory

Audio

- Realtek codec ALC269 with 2-channel High Definition (HD) audio.
- Headphones: Depending upon your system configuration, you have one of the following:
 - Stereo headphone jack, 3.5 mm, 1 V_{rms} or less, minimum impedance 32 Ohms, or,
 - Stereo headphone/line-out jack, 3.5 mm, 1 V_{rms} or less, minimum impedance 32 Ohms
- **Microphone:** Depending upon your system configuration, you have one of the following:
 - Mono microphone jack, 3.5 mm, 100 mV_{p-p} or less, minimum impedance 10K Ohms, or,
 - Stereo microphone/line-in jack, 3.5 mm, 100 mV_{p-p} or less, minimum impedance 10K Ohms
- Two built-in stereo speakers, 20 mm diameter

Mass Storage Device Options

Hard Drive

- Serial ATA2, 300 Mbps data buffer, 2.5", 9.5 mm
- Choice of 160 GB or 320 GB (7200 rpm) or 160 GB, 160 GB FDE, 320 GB, 500 GB (5400 rpm)

Modular Bay Devices

Depending upon the configuration of your system, one of the following may be installed.

- Modular Dual-Layer Multi-Format DVD Writer: 24x CD-ROM, 24x CD-R, 10x CD-RW, 8x DVD-ROM
- Modular Blu-ray RW Drive
- Modular DVD-ROM Drive: 8x DVD-ROM
- Modular Bay Battery
- Modular Hard Drive
- Weight Saver

Features

Integrated Pointing Device

- Touchpad pointing device with scroll button or optional fingerprint sensor
- Quick Point cursor control button

Communications

- **Modem:** Internal V.92 standard 56K fax/modem (ITU V.92, 56K data, 14.4K fax)
- **Gigabit LAN:** Internal wired 10/100/1000 Gigabit Ethernet LAN

Wireless Devices:

- Integrated Intel Centrino Advanced-N 6200 (802.11agn 2x2), or, Atheros XSPAN 802.11bgn
- Optional Bluetooth device for wireless personal area network communication

Optional WebCam

Optional 1.3 megapixel digital camera.

Trusted Platform Module

The LifeBook E780 has a Trusted Platform Module (TPM) installed for added system security.

Theft Prevention Lock

Two lock slots for use with security restraint systems.

Device Ports

On the LifeBook notebook:

- PC Card slot for one Type I or Type II card: PCMCIA Standard 2.1 with CardBus support
- ExpressCard slot for one ExpressCard
- Memory Stick/SD Card slot
- One 15-pin D-SUB connector for VGA external monitor (see Display specifications)
- Four USB 2.0 (Universal Serial Bus) connectors for input/output devices
- One DC In connector
- One DisplayPort connector
- One e-SATA port
- One serial port (RS-232, D-Sub 9-pin)
- One IEEE 1394 (4-pin type) jack
- One modular modem (RJ-11) connector
- One LAN (RJ-45) connector
- Docking port (100-pin, to dock with port replicator)
- One stereo headphone jack or one stereo headphone/line-out jack, depending upon system configuration.
- One mono microphone jack or one stereo microphone/line-in jack, depending upon system configuration.
- Dedicated Smart Card slot (requires third-party application)

On the Optional Port Replicator:

- One 25-pin D-SUB connector for parallel input/output devices; Bi-directional output only or ECP
- One 15-pin D-SUB connector for VGA external monitor (see Display specifications)
- One 9-pin D-SUB connector for RS-232C serial input/output devices
- Four USB 2.0 connectors for input/output devices
- One e-SATA port
- One LAN (RJ-45) connector
- One DC-in connector
- One headphone/line-out jack
- One DisplayPort connector
- One Digital Video (DVI-D) 24-pin, female interface
- One power/suspend/resume button with LED

Keyboard

Built-in keyboard with all functions of 101 key PS/2 compatible keyboards.

- Total number of keys: 84
- Function keys: F1 through F12
- Feature extension key: Fn
- Two Windows keys: one Start key, one application key
- Key pitch: 19 mm
- Key stroke: 2.7 mm
- Built-in Touchpad pointing device with two left and two right buttons and scroll button.
- Optional Quick Point cursor control button
- Built-in Palm Rest

External Keyboard and/or Mouse Support

- USB-compatible

Power

Batteries

- Standard Lithium ion battery, rechargeable, 6-cell 10.8V, 5200 mAh, 56.1 Wh, or,
- Optional Lithium ion battery, rechargeable, 6-cell, 10.8V, 5800 mAh, 63 Wh
- Optional Flexible Bay battery: 6-cell Lithium ion battery, rechargeable, 10.8V, 3800 mAh, 41 Wh

AC Adapter

Depending upon system configuration, one of the following AC Adapters is included with your system.

- Autosensing 100-240V AC, supplying 19V DC, 4.22A, 80W to the LifeBook notebook; includes an AC cable
- Autosensing 100-240V AC, supplying 19V DC, 5.27A, 100W to the LifeBook notebook; includes an AC cable

Power Management

Conforms to ACPI (Advanced Configuration and Power Interface).

Dimensions and Weight

Overall Dimensions

Approximately 14.6"(w) x 10.1"(d) x 1.38"/1.46"(h) (372 mm x 256.5 mm x 35/37 mm)

Weight

Approximately 6.18 lb. (2.8 kg) with battery and optical drive

Environmental Requirements

Temperature

Operating: 41° to 95° F (5° to 35° C)

Non-operating: 5° to 140° F (-15° to 60° C)

Humidity

Operating: 20% to 85%, relative, non-condensing

Non-operating; 8% to 85%, relative, non-condensing

Altitude

Operating: 10,000 feet (3,048 m) maximum

Popular Accessories

For ordering or additional information on Fujitsu accessories please visit our Web site at www.shopfujitsu.com or call 1-800-FUJITSU.

Pre-Installed Software

Depending on your operating system, your notebook comes with pre-installed software for playing audio and video files of various formats. In addition there is file transfer software, virus protection software and Power Management software. The following list indicates the pre-installed software on your system.

- Adobe Reader
- Norton Internet Security™ (60-day free trial)
- Roxio Easy Media Creator (on select models)
- CyberLink PowerDirector
- CyberLink MakeDisc (Windows 7 only)
- Cyberlink PowerDVD
- CyberLink YouCam
- Google Tool Bar
- Google Picasa
- OmniPass Fingerprint application
- Fujitsu Driver Update utility
- Fujitsu Portshutter
- Microsoft Office Ready with Office Assistant

Learning About Your Software

Tutorials

All operating systems and most application software have tutorials built into them upon installation. We highly recommend that you step through the tutorial before you use an application.

Manuals

Included with your notebook you will find manuals for your installed operating system and other pre-installed software. Any manuals not included are available online through the help system of the software. We recommend that you review these manuals for general information on the use of these applications.

Adobe Reader

The Adobe Reader allows you to view, navigate, and print PDF files from across all of the major computing platforms.

Norton Internet Security

Your system is preinstalled with a free 60-day trial version of Symantec's Norton Internet Security™. Norton Internet Security is a suite of tools designed to protect your LifeBook notebook from computer viruses, hackers, spyware, and spam. It assists in the protection of data currently on your hard disk from destruction or contamination. The trial version is activated upon your acceptance of software license agreement. After 60 days, you will need to purchase a subscription from Symantec to download latest virus, spyware, and spam definitions.

Roxio Easy Media Creator

Easy Media Creator lets you burn CDs and organize, edit and share digital photos, music, data, and videos.

CyberLink MakeDisc

CyberLink MakeDisc allows you to burn your videos, slideshows, and TV shows to discs, and to back up data files onto CDs or DVDs.

CyberLink YouCam

CyberLink YouCam allows you to capture photos or movies on the embedded webcam, add special effects to them, and share them in a variety of formats or via social networks.

CyberLink PowerDVD

CyberLink PowerDVD allows you to play DVDs on your LifeBook notebook.

CyberLink PowerDirector

CyberLink PowerDirector allows you to edit and enhance your videos, and add special effects to them.

OmniPass Fingerprint application

The fingerprint sensor uses Softex OmniPass which provides password management capabilities to Microsoft Windows operating systems. OmniPass lets you use a "master password" for all Windows, applications, and on-line passwords, and presents a convenient user interface through which you can securely manage passwords, users, and multiple identities for each user.

Google Picasa

Google Picasa lets you to search for, locate, move and label all of the photos on your computer.

Google Toolbar

Google Toolbar lets you to search the Internet quickly, block pop-ups, and perform a variety of other tasks to make your Internet experience easier and more pleasant.

Fujitsu Portshutter

Portshutter helps to enhance system security by allowing users to set policies that restrict which ports are available to other users. With Portshutter, you can specify which (if any) USB devices can be used, prevent confidential information from being copied to removable devices, prevent the connection of external devices through which illicit or harmful programs might be installed or confidential information might be accessed, and temporarily restrict use of ports when the computer is unattended

Fujitsu Driver Update Utility

The Fujitsu Driver Update (FDU) utility is pre-installed on your system. With FDU, you can choose to automatically or manually go to the Fujitsu site to check for new updates for your system. See “Automatically Downloading Driver Updates” on page 114.

Operating System

Depending upon your system, one of the following operating system configurations will be installed:

Microsoft Windows XP Professional Edition

With Microsoft Office Ready with Office Activation Assistant

Microsoft Windows Vista Business Edition

With Microsoft Office Ready with Office Activation Assistant

Microsoft Windows 7 Professional Edition

With Microsoft Office Ready with Office Activation Assistant

Microsoft Office Ready with Office Assistant

With Office Ready PCs it's now even easier to take advantage of Microsoft® Office 2007. The full versions of Microsoft® Office Basic, Small Business and Professional 2007 are already preinstalled on your PC, so there's nothing to install, and all Office Ready PCs give you the option to activate a 60 day trial of Microsoft® Office Professional 2007. All you need to do is purchase the appropriate Office 2007 license kit which allows you to "un-lock" the full version of Office that you want.

Fujitsu offers a Media License Kit for Microsoft® Office Small Business 2007. Simply enter your product key and you're ready to go. Another option is to purchase a Microsoft® Office 2007 media-less license kit (MLK) from either your computer reseller or online from Microsoft within 90 days of the purchase of your computer.



Glossary

AC Adapter

A device which converts the AC voltage from a wall outlet to the DC voltage needed to power your LifeBook notebook.

Access point

Wireless network device used to bridge wireless and wired network traffic.

ACPI

Advanced Configuration and Power Interface

Active-Matrix Display

A type of technology for making flat-panel displays which has a transistor or similar device for every pixel on the screen.

Ad Hoc Mode

Ad Hoc Mode refers to a wireless network architecture where wireless network connectivity between multiple computers is established without a central wireless network device, typically known as Access Points. Connectivity is accomplished using only client devices in a peer-to-peer fashion. For details, refer to on “Ad Hoc Mode” on page 158

ADSL

Asymmetric Digital Subscriber Line. Technology for transporting high bit-rate services over ordinary phone lines.

AGP

Accelerated Graphics Port. Graphics port specifically designed for graphics-intensive devices, such as video cards and 3D accelerators.

Auto/Airline Adapter

A device which converts the DC voltage from an automobile cigarette lighter or aircraft DC power outlet to the DC voltage needed to power your LifeBook notebook.

BIOS

Basic Input-Output System. A program and set of default parameters stored in ROM which tests and operates your LifeBook notebook when you turn it on until it loads your installed operating system from disk. Information from the BIOS is transferred to the installed operating system to provide it with information on the configuration and status of the hardware.

Bit

An abbreviation for binary digit. A single piece of information which is either a one (1) or a zero (0).

bps

An abbreviation for bits per second. Used to describe data transfer rates.

Boot

To start-up a computer and load its operating system from disk, ROM or other storage media into RAM.

Bus

An electrical circuit which passes data between the CPU and the sub-assemblies inside your LifeBook notebook.

Byte

8 bits of parallel binary information.

Cache Memory

A block of memory built into the micro-processor which is much faster to access than your system RAM and used in specially structured ways to make your overall data handling time faster.

CardBus

A faster, 32-bit version of the PC Card interface which offers performance similar to the 32-bit PCI architecture.

Channel

Range of narrow-band frequencies used by the WLAN device to transmit data. IEEE802.11b/g - 11 channels, 22 MHz wide channels.

COM Port

Abbreviation for communication port. This is your serial interface connection.

Command

An instruction which you give your operating system. Example: run a particular application or format a floppy disk.

Configuration

The combination of hardware and software that makes up your system and how it is allocated for use.

CRT

Cathode Ray Tube. A display device which uses a beam of electronic particles striking a luminescent screen. It produces a visual image by varying the position and intensity of the beam.

Data

The information a system stores and processes.

DC

Direct current. A voltage or current that does not fluctuate periodically with time.

Default Value

A pre-programmed value to be used if you fail to set your own.

DHCP

Dynamic Host Configuration Protocol. A protocol used to automatically acquire parameters required for the communication, such as IP address. The sender of IP address is called a DHCP server, and the receiver is called a DHCP client.

DIMM

Dual-in-line memory module.

Disk Drive

The hardware which spins the disk and has the heads and control circuitry for reading and writing the data on the disk.

DMA

Direct Memory Access. Special circuitry for memory to memory transfers of data which do not require CPU action.

DMI

Desktop Management Interface. A standard that provides PC management applications with a common method of locally or remotely querying and configuring PC computer systems, hardware and software components, and peripherals.

DNS

Domain Name System. A function to control the association between the IP address and the name assigned to the computer. If you do not know the IP address but if you know the computer name, you can still communicate to that computer.

Driver

A computer program which converts application and operating system commands to external devices into the exact form required by a specific brand and model of device in order to produce the desired results from that particular equipment.

DVMT

Dynamic Video Memory Technology. A video memory architecture that increases the efficiency of the motherboard by using innovative memory utilization and direct AGP.

ECP

Extended Capability Port. A set of standards for high speed data communication and interconnection between electronic devices.

Encryption Key (Network Key)

Data encryption key used to encrypt message text and for computing message integrity checks. Data encryption protects data from unauthorized viewing.

This device uses the same encryption key to encode and decode the data, and the identical encryption key is required between the sender and receiver.

ESD

Electrostatic Discharge. The sudden discharge of electricity from a static charge which has built-up slowly. Example: the shock you get from a doorknob on a dry day or the sparks you get from brushing hair on a dry day.

FCC

Federal Communication Commission.

GB

Gigabyte. One billion bytes.

Hard drive

A spinning platter of magnetic data storage media where the platter is very stiff.

HDMI

High-Definition Multimedia Interface. Used to connect the notebook to a compatible TV. HDMI is a single-cable solution that carries high-definition audio and video.

I/O

Input/Output. Data entering and leaving your notebook in electronic form.

I/O Port

The connector and associated control circuits for data entering and leaving your notebook in electronic form.

IDE

Intelligent Drive Electronics. A type of control interface for a hard drive which is inside the hard drive unit.

IEEE802.11a

Wireless LAN standard that supports a maximum data rate of 54 Mbps. 802.11a devices operate in the 5 GHz lower and middle UNII bands.

IEEE802.11b

Wireless LAN standard that supports a maximum data rate of 11 Mbps. 802.11b devices operate in the 2.4 GHz ISM band.

IEEE802.11g

Wireless LAN standard that supports a maximum data rate of 54 Mbps. 802.11g devices operate in the 2.4 GHz ISM band.

Infrared

Light just beyond the red portion of the visible light spectrum which is invisible to humans.

Infrastructure

A name of a wireless LAN configuration. This type of communication uses an access point. Another type of communication is called Ad Hoc.

IP Address

An identifier for a computer or device on a TCP/IP network. Networks using the TCP/IP protocol route messages based on the IP address of the destination. The format of an IP address is a 32-bit numeric address written as four numbers separated by periods. Each number can be zero to 255. For example, 1.160.10.240 could be an IP address.

Within an isolated network, you can assign IP addresses at random as long as each one is unique. However, connecting a private network to the Internet requires using registered IP addresses (called Internet addresses) to avoid duplicates.

The four numbers in an IP address are used in different ways to identify a particular network and a host on that network. Three regional Internet registries -- ARIN, RIPE NCC and APNIC -- assign Internet addresses from the following three classes.

Class A - supports 16 million hosts on each of 126 networks

Class B - supports 65,000 hosts on each of 16,000 networks

Class C - supports 254 hosts on each of 2 million networks

The number of unassigned Internet addresses is running out, so a new classless scheme called CIDR is gradually replacing the system based on classes A, B, and C and is tied to adoption of IPv6.

IR

An abbreviation for infrared.

IrDA

Infrared Data Association. An organization which produces standards for communication using infrared as the carrier.

IRQ

Interrupt Request. An acronym for the hardware signal to the CPU that an external event has occurred which needs to be processed.

KB

Kilobyte. One thousand bytes.

LAN

Local Area Network. An interconnection of computers and peripherals within a single limited geographic location which can pass programs and data amongst themselves.

LCD

Liquid Crystal Display. A type of display which makes images by controlling the orientation of crystals in a crystalline liquid.

Lithium ion Battery

A type of rechargeable battery which has a high power-time life for its size and is not subject to the memory effect as Nickel Cadmium batteries.

LPT Port

Line Printer Port. A way of referring to parallel interface ports because historically line printers were the first and latter the most common device connected to parallel ports.

MAC Address

Media Access Control Address. A unique physical address of a network card. For Ethernet, the first three bytes are used as the vendor code, controlled and assigned by IEEE. The remaining three bytes are controlled by each vendor (preventing overlap), therefore, every Ethernet card is given a unique physical address in the world, being assigned with a different address from other cards. For Ethernet, frames are sent and received based on this address.

MB

Megabyte. One million bytes.

Megahertz

1,000,000 cycles per second.

Memory

A repository for data and applications which is readily accessible to your LifeBook notebook's CPU.

MHz

Megahertz.

Modem

A contraction for MOdulator-DEModulator. The equipment which connects a computer or other data terminal to a communication line.

Monaural

A system using one channel to process sound from all sources.

MTU

Maximum Transmission Unit

The maximum data size that can be transferred at a time through the Internet or other networks. You can set a smaller MTU size to obtain successful communication, if you have difficulty transferring data due to the fact that the maximum size is too large.

Network key

Data that is used for encrypting data in data communication. The personal computer uses the same network key both for data encryption and decryption, therefore, it is necessary to set the same network key as the other side of communication.

Network name (SSID: Service Set Identifier)

When a wireless LAN network is configured, grouping is performed to avoid interference or data theft. This grouping is performed with “Network name (SSID)”. In order to improve security, the network key is set allowing no communication unless “Network name (SSID)” coincides with the network key.

NTSC

National TV Standards Commission. The standard for TV broadcast and reception for the USA.

Open system authentication

Null authentication method specified in the 802.11 standard that performs no authentication checks on a wireless client before allowing it to associate.

Operating System

A group of control programs that convert application commands, including driver programs, into the exact form required by a specific brand and model of microprocessor in order to produce the desired results from that particular equipment.

Partition

A block of space on a hard drive which is set aside and made to appear to the operating system as if it were a separate disk, and addressed by the operating system accordingly.

PCMCIA

PCMCIA is a trademark of the Personal Computer Memory Card International Association. The Personal Computer Memory Card International Association is an organization that sets standards for add-in cards for personal computers.

Peripheral Device

A piece of equipment which performs a specific function associated with but not integral to a computer. Examples: a printer, a modem, a CD-ROM.

Pitch (keyboard)

The distance between the centers of the letter keys of a keyboard.

Pixel

The smallest element of a display, a dot of color on your display screen. The more pixels per area the clearer your image will appear.

POST

Power On Self Test. A program which is part of the BIOS which checks the configuration and operating condition of your hardware whenever power is applied to your notebook. Status and error messages may be displayed before the operating system is loaded. If the self test detects failures that are so serious that operation can not continue, the operating system will not be loaded.

PPPoE

Point to Point Protocol over Ethernet. A protocol for Ethernet, using a Point-to-Point Protocol (PPP), which is used for connection on the phone line.

Program

An integrated set of coded commands to your computers telling your hardware what to do and how and when to do it.

Protocol

Procedures and rules use to send and receive data between computers.

- Method of sending and receiving data
- Process used to handle communication errors

Conditions required for communication are organized in procedures for correct transfer of information.

RAM

Random Access Memory. A hardware component of your LifeBook notebook that holds binary information (both program and data) as long as it has the proper power applied to it.

RAM Module

A printed circuit card with memory and associated circuitry which allows the user to add additional memory to the computer without special tools.

Reset

The act of reloading the operating system. A reset erases all information stored in RAM.

Restart

See Reset.

Resume

To proceed after interruption. In your notebook this refers to returning to active operation after having been in one of the suspension states.

ROM

Read Only Memory. A form of memory in which information is stored by physically altering the material. Data stored in this way can not be changed by your notebook and does not require power to maintain it.

SDRAM

Synchronous Dynamic Random Access Memory.

Serial Port

A connection to another device through which data is transferred one bit at a time on a single wire with any other wires only for control of the device not for transfer of data.

Shared key authentication

802.11 network authentication method in which the AP sends the client device a challenge text packet that the client must then encrypt with the correct WEP key and return to the AP. If the client has the wrong key or no key, authentication will fail and the client will not be allowed to associate with the AP. Shared key authentication is not considered secure, because a hacker who detects both the clear-text challenge and the same challenge encrypted with a WEP key can decipher the key.

Sleep

To make inoperative for a period of time. Your LifeBook notebook uses various suspension states to reduce power consumption and prolong the charge of your battery.

SSID

Service Set Identifier, a 32-character unique identifier attached to the header of packets sent over a WLAN that acts as a password when a mobile device tries to connect to the BSS. The SSID differentiates one WLAN from another, so all access points and all devices attempting to connect to a specific WLAN must use the same SSID. A device will not be permitted to join the BSS unless it can provide the unique SSID. Because the SSID is broadcast in plain text, it does not supply any security to the network.

Status Indicator

A display which reports the condition of some portion of your hardware. On your LifeBook notebook this is an LCD screen just above the keyboard.

Stereo (audio)

A system using two channels to process sound from two different sources.

Subnet mask

TCP-IP network is controlled by being divided into multiple smaller networks (subnets). IP address consists of the subnet address and the address of each computer. Subnet mask defines how many bits of IP address comprise the subnet address. The same value shall be set among computers communicating with each other.

SVGA

Super VGA.

System Clock

An oscillator of fixed precise frequency which synchronizes the operation of the system and is counted to provide time of day and date.

TCP/IP

Transmission Control Protocol/Internet Protocol. A standard Internet protocol that is most widely used.

TFT

Thin Film Transistor – A technology for flat display panels which uses a thin film matrix of transistors to control each pixel of the display screen individually.

UL

Underwriters Laboratories – An independent organization that tests and certifies the electrical safety of devices.

USB

Universal Serial Bus. Standard that allows you to simultaneously connect up to 127 USB devices such as game pads, pointing devices, printers, and keyboards to your computer.

Wi-Fi Compatible

Wi-Fi (Wireless Fidelity) Identifies that the product has passed the interoperability test, supplied by the WECA (Wireless Ethernet Compatibility Alliance), which guarantees the interoperability of wireless IEEE 802.11 LAN products. For more information on the Wi-Fi standard, go to the WECA Web site at: www.wirelessethernet.com.

WLAN

Wireless Local Area Network. A wireless interconnection of computers and peripherals within a single limited geographic location which can pass programs and data amongst themselves.

Regulatory Information

Notice

Changes or modifications not expressly approved by Fujitsu could void this user's authority to operate the equipment.

FCC NOTICES

Notice to Users of Radios and Television

This equipment has been tested and found to comply with the limit for class B digital devices, pursuant to parts 15 of the FCC Rules.

These limits are designed to provide reasonable protection against harmful interference in a residential installation. This equipment generates, uses, and can radiate radio frequency energy and, if not installed and used in accordance with the instructions, may cause harmful interference to radio communications. However, there is no guarantee that interference will not occur in a particular installation. If this equipment does cause harmful interference to radio or television reception, which can be determined by turning the equipment off and on, the user is encouraged to try to correct the interference by one or more of the following measures:

- Reorient or relocate the receiving antenna.
- Increase the separation between the equipment and receiver.
- Connect the equipment into an outlet that is on a different circuit than the receiver.
- Consult the dealer or an experienced radio/TV technician for help.

Shielded interconnect cables must be employed with this equipment to ensure compliance with the pertinent RF emission limits governing this device.

Notice to Users of the US Telephone Network

This equipment complies with Part 68 of the FCC rules, and the requirements adopted by ACTA. On the bottom of this equipment is a label that contains, among other information, the FCC registration number and ringer equivalence number (REN) for this equipment; or a product identifier in the format US:AAAEQ##TXXXX. If requested, this information or number must be provided to the telephone company.

This equipment is designed to be connected to the telephone network or premises wiring using a standard jack type USOC RJ11C. A plug and jack used to connect this equipment to the premises wiring and telephone network must comply with the applicable FCC Part 68 rules and requirements adopted by the ACTA. A compliant telephone cord and modular plug is provided with this product. It is designed to be connected to a compatible modular jack that is also compliant.

The ringer equivalent number (REN) of this equipment is 0.1B as shown on the label. The REN is used to determine the number of devices that may be connected to a telephone line. Excessive RENs on a telephone may result in the devices not ringing in response to an incoming call. In most but not all areas, the sum of RENs should not exceed five (5.0). To be certain of the number of devices that may be connected to a line, as determined by the total RENs, contact the local telephone company.

If this equipment causes harm to the telephone network, the telephone company will notify you in advance that temporary discontinuance of service may be required. But if advance notice isn't practical, the telephone company will notify the customer as soon as possible. Also, you will be advised of your right to file a complaint with the FCC if you believe it is necessary.

The telephone company may make changes in its facilities, equipment, operations or procedures that could effect the operation of the equipment. If this happens the telephone company will provide advance notice in order for you to make necessary modifications to maintain uninterrupted service.

If trouble is experienced with this equipment, for repair or warranty information, please refer to the manual or contact Fujitsu America, Incorporated, Customer Service. If the equipment is causing harm to the telephone network, the telephone company may request that you disconnect the equipment until the problem is resolved.

The equipment cannot be used on public coin service provided by the telephone company. Connection to party line service is subject to state tariffs. (Contact the state public utility commission, public service commission or corporation commission for information).

If your home has specially wired alarm equipment connected to the telephone line, ensure the installation of this computer does not disable your alarm equipment. If you have any questions about what will disable alarm equipment, consult your telephone company or a qualified installer.

The Telephone Consumer Protection Act of 1991 makes it unlawful for any person to use a computer or other electronic device to send any message via a telephone fax machine unless such message clearly contains in a margin at the top or bottom of each transmitted page or on the first page of the transmission, the date and time it is sent and an identification of the business or other entity, or other individual sending the message and the telephone number of the sending machine or such business, other entity, or individual.

DOC (INDUSTRY CANADA) NOTICES

Notice to Users of Radios and Television

This Class B digital apparatus meets all requirements of Canadian Interference-Causing Equipment Regulations.

CET appareil numérique de la class B respecte toutes les exigence du Règlement sur le matériel brouilleur du Canada.

Notice to Users of the Canadian Telephone Network

NOTICE: This equipment meets the applicable Industry Canada Terminal Equipment Technical Specifications. This is confirmed by the registration number. The abbreviation, IC, before the registration number signifies that registration was performed based on a Declaration of Conformity indicating that Industry Canada technical specifications were met. It does not imply that Industry Canada approved the equipment.

Before connecting this equipment to a telephone line the user should ensure that it is permissible to connect this equipment to the local telecommunication facilities. The user should be aware that compliance with the certification standards does not prevent service degradation in some situations.

Repairs to telecommunication equipment should be made by a Canadian authorized maintenance facility. Any repairs or alterations not expressly approved by Fujitsu or any equipment failures may give the telecommunication company cause to request the user to disconnect the equipment from the telephone line.

NOTICE: The Ringer Equivalence Number (REN) for this terminal equipment is 0.1B. The REN assigned to each terminal equipment provides an indication of the maximum number of terminals allowed to be connected to a telephone interface. The termination on an interface may consist of any combination of devices subject only to the requirement that the sum of the Ringer Equivalence Numbers of all the devices does not exceed five.



FOR SAFETY, USERS SHOULD ENSURE THAT THE ELECTRICAL GROUND OF THE POWER UTILITY, THE TELEPHONE LINES AND THE METALLIC WATER PIPES ARE CONNECTED TOGETHER. USERS SHOULD NOT ATTEMPT TO MAKE SUCH CONNECTIONS THEMSELVES BUT SHOULD CONTACT THE APPROPRIATE ELECTRIC INSPECTION AUTHORITY OR ELECTRICIAN. THIS MAY BE PARTICULARLY IMPORTANT IN RURAL AREAS.

Avis Aux Utilisateurs Du Réseau Téléphonique Canadien

AVIS: Le présent matériel est conforme aux spécifications techniques d'Industrie Canada applicables au matériel terminal. Cette conformité est confirmée par le numéro d'enregistrement. Le sigle IC, placé devant le numéro d'enregistrement, signifie que l'enregistrement s'est effectué conformément à une déclaration de conformité et indique que les spécifications techniques d'Industrie Canada ont été respectées. Il n'implique pas qu'Industrie Canada a approuvé le matériel.

Avant de connecter cet équipement à une ligne téléphonique, l'utilisateur doit vérifier s'il est permis de connecter cet équipement aux installations de télécommunications locales. L'utilisateur est averti que même la conformité aux normes de certification ne peut dans certains cas empêcher la dégradation du service.

Les réparations de l'équipement de télécommunications doivent être effectuées par un service de maintenance agréé au Canada. Toute réparation ou modification, qui n'est pas expressément approuvée par Fujitsu, ou toute défaillance de l'équipement peut entraîner la compagnie de télécommunications à exiger que l'utilisateur déconnecte l'équipement de la ligne téléphonique.

AVIS: L'indice d'équivalence de la sonnerie (IES) du présent matériel est de 0.1B. L'IES assigné à chaque dispositif terminal indique le nombre maximal de terminaux qui peuvent être raccordés à une interface téléphonique. La terminaison d'une interface peut consister en une combinaison quelconque de dispositifs, à la seule condition que la somme d'indices d'équivalence de la sonnerie de tous les dispositifs n'excède pas 5.



POUR ASSURER LA SÉCURITÉ, LES UTILISATEURS DOIVENT VÉRIFIER QUE LA PRISE DE TERRE DU SERVICE D'ÉLECTRICITÉ, LES LIGNES TÉLPHONIQUES ET LES CONDUITES D'EAU MÉTALLIQUES SONT CONNECTÉES ENSEMBLE. LES UTILISATEURS **NE DOIVENT PAS** TENTER D'ÉTABLIR CES CONNEXIONS EUX-MÊMES, MAIS DOIVENT CONTACTER LES SERVICES D'INSPECTION D'INSTALLATIONS ÉLECTRIQUES APPROPRIÉS OU UN ÉLECTRICIEN. CECI PEUT ÊTRE PARTICULIÈREMENT IMPORTANT EN RÉGIONS RURALES.



Appendix A: WLAN User's Guide

FC FCC Regulatory Information

Please note the following regulatory information related to the optional wireless LAN device.

Regulatory Notes and Statements

Wireless LAN, Health and Authorization for use

Radio frequency electromagnetic energy is emitted from Wireless LAN devices. The energy levels of these emissions, however, are far much less than the electromagnetic energy emissions from wireless devices such as mobile phones. Wireless LAN devices are safe for use by consumers because they operate within the guidelines found in radio frequency safety standards and recommendations. The use of Wireless LAN devices may be restricted in some situations or environments, such as:

- On board an airplane, or
- In an explosive environment, or
- In situations where the interference risk to other devices or services is perceived or identified as harmful.

In cases in which the policy regarding use of Wireless LAN devices in specific environments is not clear (e.g., airports, hospitals, chemical/oil/gas industrial plants, private buildings), obtain authorization to use these devices prior to operating the equipment.

Regulatory Information/Disclaimers

Installation and use of this Wireless LAN device must be in strict accordance with the instructions included in the user documentation provided with the product. Any changes or modifications made to this device that are not expressly approved by the manufacturer may void the user's authority to operate the equipment. The manufacturer is not responsible for any radio or television interference caused by unauthorized modification of this device, or the substitution or attachment of connecting cables and equipment other than those specified by the manufacturer. It is the responsibility of the user to correct any

interference caused by such unauthorized modification, substitution or attachment. The manufacturer and its authorized resellers or distributors will assume no liability for any damage or violation of government regulations arising from failure to comply with these guidelines.

This device must not be co-located or operated in conjunction with any other antenna or transmitter.

For IEEE 802.11a Wireless LAN: For operation within 5.15~5.25 GHz frequency range, it is restricted to indoor environments, and the antenna of this device must be integral.

Federal Communications Commission statement

This device complies with Part 15 of FCC Rules.

Operation is subject to the following two conditions: (1) This device may not cause interference, and, (2) This device must accept any interference, including interference that may cause undesired operation of this device.

FCC Interference Statement

This equipment has been tested and found to comply with the limits for a Class B digital device, pursuant to Part 15 of the FCC Rules. These limits are designed to provide reasonable protection against harmful interference in a residential installation. This equipment generates, uses, and can radiate radio frequency energy. If not installed and used in accordance with the instructions, it may cause harmful interference to radio communications. However, there is no guarantee that interference will not occur in a particular installation.

If this equipment does cause harmful interference to radio or television reception, which can be determined by turning the equipment off and on, the user is encouraged to try and correct the interference by one or more of the following measures:

- 1** Reorient or relocate the receiving antenna.
- 2** Increase the distance between the equipment and the receiver.
- 3** Connect the equipment to an outlet on a circuit different from the one the receiver is connected to.
- 4** Consult the dealer or an experienced radio/TV technician for help.

FCC Radio Frequency Exposure statement

The available scientific evidence does not show that any health problems are associated with using low power wireless devices. There is no proof, however, that these low power wireless devices are absolutely safe. Low power wireless devices emit low levels of radio frequency energy (RF) in the microwave range while being used. Whereas high levels of RF can produce health effects (by heating tissue), exposure to low-level RF that does not produce heating effects causes no known adverse health effects. Many studies of low-level RF exposure have not found any biological effects. Some studies have suggested that some biological effects might occur, but such findings have not been confirmed by additional research. The wireless LAN radio device has been tested and found to comply with FCC radiation exposure limits set forth for an uncontrolled equipment and meets the FCC radio frequency (RF) Exposure Guidelines in Supplement C to OET65.

Export restrictions

This product or software contains encryption code which may not be exported or transferred from the US or Canada without an approved US Department of Commerce export license. This device complies with Part 15 of FCC Rules., as well as ICES 003 B / NMB 003 B. Operation is subject to the following two conditions: (1) this device may not cause harmful interference, and (2) this device must accept any interference received, including interference that may cause undesirable operation. Modifications not expressly authorized by Fujitsu America, Incorporated, may invalidate the user's right to operate this equipment.

Canadian Notice

The device for the 5150 - 5250 MHz band is only for indoor usage to reduce the potential for harmful interference to co-channel mobile satellite systems.

The maximum antenna gain of 6 dBi permitted (for devices in the 5250 - 5350 MHz, 5470 - 5725 MHz and 5725 - 5825 MHz bands) to comply with the e.i.r.p. limit as stated in A9.2 of RSS210.

In addition, users are cautioned to take note that high power radars are allocated as primary users (meaning they have priority) of 5250 - 5350 MHz and 5650 - 5850 MHz and these radars could cause interference and/or damage to LE-LAN devices.

Before Using the Optional Wireless LAN

This manual describes the procedures required to properly set up and configure the optional integrated Wireless LAN Mini-PCI device (referred to as "WLAN device" in the rest of the manual). Before using the WLAN device, read this manual carefully to ensure it's correct operation. Keep this manual in a safe place for future reference.

Wireless LAN Devices Covered by this Document

This document is applicable to systems containing one of the following devices:

- Integrated Intel Centrino Advanced-N 6200 (802.11agn 2x2)
- Atheros XSPAN 802.11bg)

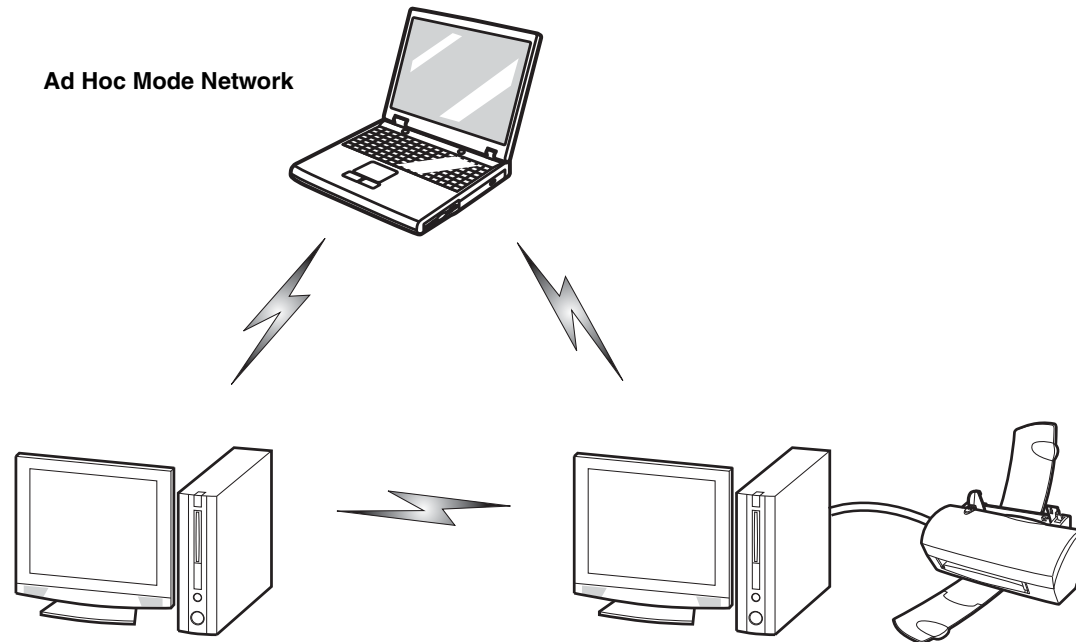
Characteristics of the WLAN Device

- The WLAN devices are Mini-PCI cards attached to the main board of the mobile computer.
- The WLAN devices operate in license-free RF bands, eliminating the need to procure an FCC operating license. The WLAN operates in the 2.4GHz Industrial, Scientific, and Medical (ISM) RF band and the lower, middle, and upper bands of the 5GHz Unlicensed National Information Infrastructure (UNII) bands.
- The WLAN devices are capable of four operating modes, IEEE802.11a, IEEE802.11b, IEEE802.11g, and IEEE802.11n
- The WLAN devices are Wi-Fi certified and operate at a the maximum data rate of 540 Mbps (theoretical) in IEEE802.11n mode; 54 Mbps in IEEE802.11a or IEEE802.11g mode; and 11 Mbps in IEEE802.11b mode.
- The WLAN devices support the following encryption methods - WEP, TKIP, CKIP, and AES encryption.
- The Wireless LAN devices are compliant with the following standards: WPA, WPA2, CCX1.0, CCX2.0, CCX3.0, and CCX4.0.

Wireless LAN Modes Using this Device

Ad Hoc Mode

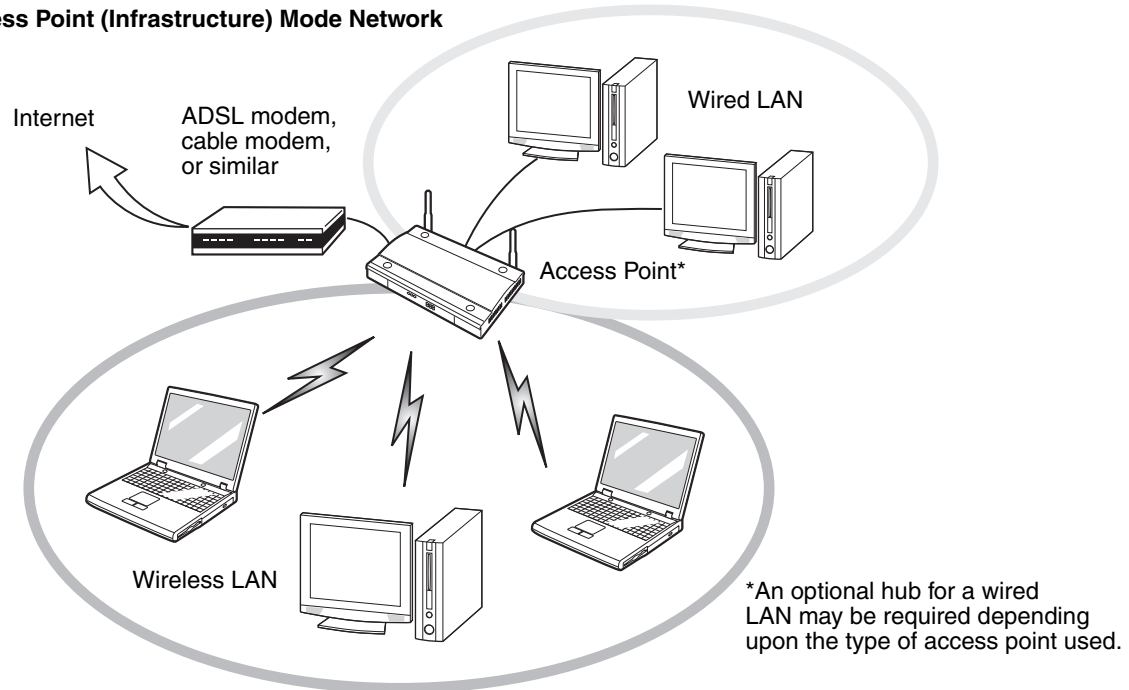
"Ad Hoc Mode" refers to a wireless network architecture where wireless network connectivity between multiple computers is established without a central wireless network device, typically known as Access Point(s). Connectivity is accomplished using only client devices in a peer-to-peer fashion. That is why Ad Hoc networks are also known as peer-to-peer networks. Ad Hoc networks are an easy and inexpensive method for establishing network connectivity between multiple computers. Ad Hoc mode requires that the SSID, network authentication, and encryption key settings are identically configured on all computers in the Ad Hoc network.



Access Point (Infrastructure) Mode

Infrastructure mode refers to a wireless network architecture in which devices communicate with wireless or wired network devices by communicating through an Access Point. In infrastructure mode, wireless devices can communicate with each other or with a wired network. Corporate wireless networks operate in infrastructure mode because they require access to the WLAN in order to access services, devices, and computers (e.g., file servers, printers, databases).

Access Point (Infrastructure) Mode Network



How to Handle This Device

The WLAN device is an optional device that may come pre-installed in your mobile computer. Under normal circumstances, it should not be necessary for you to remove or re-install it. The Operating System that your mobile computer comes with has been pre-configured to support the WLAN device.

- Intel WiFi Link 5300 device supports IEEE802.11a, IEEE802.11b, IEEE802.11g, and IEEE802.11n.
- The WLAN device operates in the 2.4 GHz ISM band and the 5 GHz lower, middle, and upper UNII bands.
- Microwave ovens may interfere with the operation of WLAN devices since they operate in the same 2.4 GHz frequency range as IEEE802.11b/g/n devices. Interference by microwaves does not occur with IEEE802.11a radio which operates in the 5 GHz RF band.
- Wireless devices that transmit in the 2.4 GHz range may interfere with operation of WLAN devices in IEEE802.11b/g/n modes. Symptoms of interference include reduced throughput, intermittent disconnects, and many frame errors. It is **HIGHLY** recommended that these interfering devices be powered off to ensure proper operation of the WLAN device.

Deactivating/Disconnecting the WLAN Device

Disconnecting the WLAN device may be desired in certain circumstances (to extend battery life) or where certain environments require it (i.e. hospitals, clinics, airplanes, etc.). The WLAN device can be deactivated by using the Wireless Device On/Off Switch, and it can be disconnected in Windows using the WLAN icon in the system tray (Note that disconnecting via the icon in the system tray does not turn off the radio; it continues to transmit and receive even though it's not connected.).



BEFORE USING THE WIRELESS LAN DEVICE, YOU MUST FIRST INSTALL CLICKME! TO ENSURE THAT THE CORRECT SOFTWARE FOR YOUR DEVICE IS INSTALLED. SEE "INSTALLING CLICK ME!" ON PAGE 55.

Deactivation Using the Wireless Device On/Off Switch

The WLAN device can be deactivated quickly and efficiently by toggling the Wireless Device On/Off Switch to the Off position. The Wireless Device On/Off switch has no effect on non-Wireless LAN models.

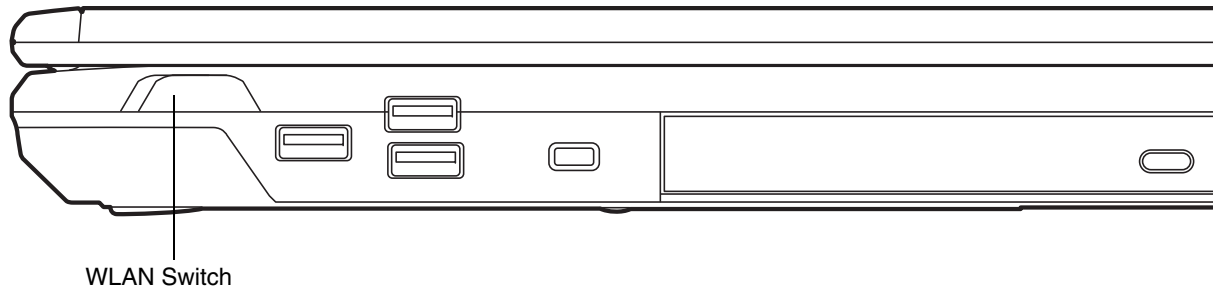


Figure 33. Wireless Device On/Off Switch Location

Disconnection Using the Icon in the Taskbar

Note that disconnecting via the icon in the system tray does not turn off the radio; it continues to transmit and receive even though it's not connected.

- 1 Right-click the WLAN icon in the taskbar at the bottom right of your screen.
- 2 Choose Disconnect from a network.

Activating the WLAN Device

Activation of the WLAN device can be accomplished using the same methods as the deactivation process

- Using the Wireless Device On/Off Switch
- In Windows, by right-clicking the WLAN icon then clicking “Connect to a network”

Configuring the Wireless LAN

The optional WLAN device can be configured to establish wireless network connectivity using the software that is built into Windows Vista. Support for most industry standard security solutions is contained in this software.

Pre-defined parameters will be required for this procedure. Please consult with your network administrator for these parameters:

Configuring the WLAN Using Windows Vista and Windows 7

- 1 Click the Start button, then select Control Panel.
- 2 Windows Vista: If the Control Panel is not in Classic View, select Classic View from the left panel. Click the Network and Sharing Center icon.
Windows 7: If the Control Panel is not in icon view, select either Large or Small icons from the View by: dropdown list. Click the Network and Sharing Center icon.
- 3 Select **Connect to a network** in the left panel.
- 4 Select one of the listed networks, then click [Connect].
- 5 Follow the directions that appear.
- 6 In the event you require assistance, go to the Network and Sharing Center window (Start -> Control Panel -> Network and Sharing Center), and type in relevant keywords in the Search box.

Connecting to a Network

After you have configured your computer, you can connect to an active network by performing the following steps:

- 1 Click on the WLAN icon in the system tray.
- 2 Select "Connect to a network".
- 3 Select a network from the list that appears, and click the [Connect] button.

Configuring the WLAN Using Windows XP

Procedure

- 1 Click the Start button, then select Control Panel.
- 2 If the Control Panel is not in Classic View, select Classic View from the left panel. Double-click the Network Connections icon.
- 3 Select “New Connection” wizard.
- 4 Click the [Next] button.
- 5 Select “Connect to the Internet”, then click [Next].
- 6 Depending upon what type of connection you would like to make, make a selection. For an infrastructure network, select “Manually create a network profile. For ad hoc network, select “Choose from a list of Internet service providers”.
- 7 Enter any required information. It may be necessary to consult with your network administrator for some of the information.
- 8 In the event you require assistance, go to [Start] -> Help and Support -> Networking and the Web. Select the main topic in which you are interested, then type in relevant keywords in the Search box.

Connection to the network

- 9 After you have configured your computer, you can connect to an active network by clicking on the Wireless Network icon in the system tray:

Troubleshooting the WLAN

Troubleshooting

Causes and countermeasures for troubles you may encounter while using your wireless LAN are described in the following table.

Problem	Possible Cause	Possible Solution
Unavailable network connection	Incorrect network name (SSID) or network key	<p>Ad hoc connection: verify that the network names (SSID's) and network keys (WEP) of all computers to be connected have been configured correctly. SSID's and WEP key values must be identical on each machine.</p> <p>Access Point (Infrastructure) connection: set the network name (SSID) and network key to the same values as those of the access point.</p> <p>Set the Network Authentication value identically to that of the Access Point. Please consult your network administrator for this value, if necessary.</p>
	Weak received signal strength and/or link quality	<p>Ad hoc connection: Retry connection after shortening the distance to the destination computer or removing any obstacles for better sight.</p> <p>Access Point (Infrastructure) connection: Retry connection after shortening the distance to the access point or removing any obstacles for better sight.</p>
	The WLAN device was deactivated or is disabled	Check if the wireless switch is turned On. Go to Start > Control Panel , and double-click on Windows Mobility Center . If the wireless network is off, click the [Turn wireless on] button..

Problem	Possible Cause	Possible Solution
Unavailable network connection (continued)	The computer to be connected is turned off	Check if the computer to be connected is turned ON.
	RF interference from Access Points or other wireless networks	The use of identical or overlapping RF channels can cause interference with the operation of the WLAN device. Change the channel of your Access Point to a channel that does not overlap with the interfering device.
	Wireless network authentication has failed	Re-check your Network Authentication, Encryption, and Security settings. Incorrectly configured security settings such as an incorrectly typed WEP key, a mis-configured LEAP username, or an incorrectly chosen authentication method will cause the LAN device to associate but not authenticate to the wireless network.
	Incorrectly configured network settings	Recheck the configuration of your network settings.
	Incorrect IP address configuration	This only applies to networks using static IP addresses. Please contact your network administrator for the correct settings.

WLAN Specifications

Specifications

Item	Specification
Type of network	Integrated Intel Centrino Advanced-N 6200 (802.11agn 2x2 and Atheros XSPAN 801.11bgn devices conform to IEEE 802.11a, 802.11b/g, and 802.11n, Wi-Fi based*.
Transfer rate	(Automatic switching) 54 Mbps maximum data rate (IEEE802.11n to be determined)
Active frequency	<ul style="list-style-type: none">• 802.11n: 2.4 GHz or 5 GHz• 802.11b/g: 2400~2473 MHz• 802.11a: 4900 ~ 5850 MHz
Typical operating distances**	<ul style="list-style-type: none">• 802.11a: 40 ft. (12 m) @ 54 Mbps; 300 ft. (91 m) @ 6 Mbps• 802.11b: 100 ft. (30 m) @ 11 Mbps; 300 ft. (91 m) @ 1 Mbps• 802.11g: 100 ft. (30 m) @ 54 Mbps; 300 ft. (91 m) @ 1 Mbps• 802.11n: Estimated double the operating distance of 802.11g and 802.11a in their respective frequencies.
Number of channels	<ul style="list-style-type: none">• 802.11a: 8 independent channels• 802.11b/g: 11 channels, 3 non-overlapping channels• 802.11n : 2.4 GHz - 3 non-overlapping channels when Channel Bonding is not used; 2 non-overlapping channels when Channel Bonding is used. 5 GHz - 12 non-overlapping UNII channels with or without Channel Bonding
Security	Encryption Types - WEP, TKIP, AES***, WPA 1.0 compliant Encryption Key lengths Supported: 64 bits and 128 bits 802.1x/EAP
Maximum recommended number of computers to be connected over wireless LAN (during ad hoc connection)	10 units or less ****

- * “Wi-Fi based” indicates that the interconnectivity test of the organization which guarantees the interconnectivity of wireless LAN (Wi-Fi Alliance) has been passed.
- ** The communication ranges shown above will increase or decrease depending on factors such as number of walls, reflective material, or interference from external RF sources.
- *** Encryption with network key (WEP) is performed using the above number of bits, however, users can set 40 bits/ 104 bits after subtracting the fixed length of 24 bits.
- **** Depending on practical environments, the allowable number of computers to be connected may be decreased.

Using the Bluetooth Device

The Integrated Bluetooth module is an optional device available for Fujitsu mobile computers.

What is Bluetooth

Bluetooth technology is designed as a short-range wireless link between mobile devices, such as laptop computers, phones, printers, and cameras. Bluetooth technology is used to create Personal Area Networks (PANs) between devices in short-range of each other.



THE WIRELESS LAN/BLUETOOTH ON/OFF SWITCH WILL POWER OFF BOTH THE OPTIONAL WIRELESS LAN AND BLUETOOTH DEVICES AT THE SAME TIME. TO ENABLE OR DISABLE EITHER ONE OF THE DEVICES INDIVIDUALLY, PERFORM THE FOLLOWING STEPS:

- 1 Slide the Wireless LAN/Bluetooth on/off switch to On position.
- 2 Go to Start > **All Programs** > **Bluetooth Settings**.
- 3 Click on **Options** under the Bluetooth menu and click on the **Bluetooth Radio Power** button.
- 4 Click [OK].

Where to Find Information About Bluetooth

The Bluetooth module contains a robust Help user's guide to assist you in learning about operation of the Bluetooth device.

Windows XP: To access the Help file, click [Start] -> All Programs, and click on Toshiba. Select Bluetooth, then select User's Guide.

Windows Vista: To access the Help file, click [Start] -> All Programs, and click on Bluetooth, then select User's Guide.

For additional information about Bluetooth Technology, visit the Bluetooth Web site at: www.bluetooth.com.

FCC Radiation Exposure Statement

This equipment complies with FCC radiation exposure limits set forth for an uncontrolled environment. The Bluetooth antenna is located on the right hinge of the LCD screen and is exempt from minimum distance criteria due to its low power.

The transmitters in this device must not be co-located or operated in conjunction with any other antenna or transmitter.

Canadian Notice

To prevent radio interference to the licensed service, this device is intended to be operated indoors and away from windows to provide maximum shielding. Equipment (or its transmit antenna) that is installed outdoors is subject to licensing.

Warranty

Users are not authorized to modify this product. Any modifications invalidate the warranty.

This equipment may not be modified, altered, or changed in any way without signed written permission from Fujitsu. Unauthorized modification will void the equipment authorization from the FCC and Industry Canada and the warranty.

Appendix B: Fingerprint Sensor Device

Introducing the Optional Fingerprint Sensor Device

Your system may have an optional fingerprint sensor device below the Touchpad, between the left and right buttons. This also serves as a scroll button.

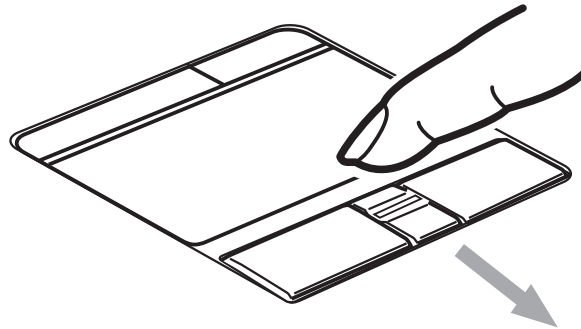


Figure 34. Fingerprint sensor



ALTHOUGH THE SYSTEM MAY HAVE A FINGERPRINT SENSOR IN PLACE OF A SCROLL BUTTON, THE FINGERPRINT SENSOR CAN BE USED FOR SCROLLING. SIMPLY MOVE YOUR FINGERPRINT OVER THE SENSOR THE SAME AS YOU WOULD USE A SCROLL BUTTON.

With a fingerprint sensor, you can avoid having to enter a username and password every time you want to:

- Log onto Windows
- Resume from sleep mode
- Cancel a password-protected screen saver
- Log into homepages that require a username and password

After you have “enrolled” - or registered - your fingerprint, you can simply swipe your fingertip over the sensor for the system recognize you.

The fingerprint sensor uses Softex OmniPass which provides password management capabilities to Microsoft Windows operating systems. OmniPass enables you to use a "master password" for all Windows, applications, and on-line passwords.

OmniPass requires users to authenticate themselves using the fingerprint sensor before granting access to the Windows desktop. This device results in a secure authentication system for restricting access to your computer, applications, web sites, and other password-protected resources.

OmniPass presents a convenient graphical user interface, through which you can securely manage passwords, users, and multiple identities for each user.

Getting Started

This section guides you through the preparation of your system for the OmniPass fingerprint recognition application. You will be led through the OmniPass installation process. You will also be led through the procedure of enrolling your first user into OmniPass.

Installing OmniPass

If OmniPass has already been installed on your system, skip this section and go directly to “User Enrollment” on page 174. You can determine whether OmniPass has already been installed by checking to see if the following are present:

- The gold key-shaped OmniPass icon in the system tray at the bottom right of the screen.
- The Softex program group in the **Programs** group of the **Start** menu

System Requirements

The OmniPass application requires space on your hard drive; it also requires specific Operating Systems (OS's). The minimum requirements are as follows:

- Windows XP Professional operating system
- At least 35 MB available hard disk space

Installing the OmniPass Application

If OmniPass is already installed on your system, go to “User Enrollment” on page 174. Otherwise continue with this section on software installation.



FOR INSTALLATION, OMNIPASS REQUIRES THAT THE USER INSTALLING OMNIPASS HAVE ADMINISTRATIVE PRIVILEGES TO THE SYSTEM. IF YOUR CURRENT USER DOES NOT HAVE ADMINISTRATIVE PRIVILEGES, LOG OUT AND THEN LOG IN WITH AN ADMINISTRATOR USER BEFORE PROCEEDING WITH OMNIPASS INSTALLATION.

To install OmniPass on your system you must:

- 1** Insert the installation media for the OmniPass application into the appropriate drive. If you are installing from CD-ROM or DVD-ROM, you must find and launch the OmniPass installation program (setup.exe) from the media.
- 2** Follow the directions provided in the OmniPass installation program. Specify a location to which you would like OmniPass installed. It is recommended that you NOT install OmniPass in the root directory (e.g. C:\).
- 3** Once OmniPass has completed installation you will be prompted to restart you system. Once your system has rebooted you will be able to use OmniPass. If you choose not to restart immediately after installation, OmniPass will not be available for use until the next reboot.
- 4** The installation program automatically places an icon (Softex OmniPass) in the Windows Control Panel as well as a golden key shaped icon in the taskbar.

Verifying Information about OmniPass

After you have completed installing OmniPass and restarted your system, you may wish to check the version of OmniPass on your system.

To check the version information of OmniPass:

- 1 From the Windows Desktop, double-click the key-shaped OmniPass icon in the taskbar (usually located in the lower right corner of the screen),
or,
Click the **Start** button, select **Settings**, and click **Control Panel**. Double-click **Softex OmniPass** in the Control Panel, and the OmniPass Control Center will appear. If it does not appear, then the program is not properly installed,
or,
Click the **Start** button, select **Programs**, and from the submenu select the **Softex** program group, from that submenu click **OmniPass Control Center**.
- 2 Select the **About** tab at the top of the OmniPass Control Panel. The About tab window appears with version information about OmniPass.

Uninstalling OmniPass



FOR UNINSTALLATION, OMNIPASS REQUIRES THAT THE USER UNINSTALLING OMNIPASS HAVE ADMINISTRATIVE PRIVILEGES TO THE SYSTEM. IF YOUR CURRENT USER DOES NOT HAVE ADMINISTRATIVE PRIVILEGES, LOG OUT AND THEN LOG IN WITH AN ADMINISTRATOR USER BEFORE PROCEEDING WITH OMNIPASS UNINSTALLATION.

To remove the OmniPass application from your system:

- 1 Click **Start** on the Windows taskbar. Select **Settings**, and then **Control Panel**.
- 2 Double-click **Add/Remove Programs**.
- 3 Select **OmniPass**, and then click **Change/Remove**.
- 4 Follow the directions to uninstall the OmniPass application.
- 5 Once OmniPass has finished uninstalling, reboot your system when prompted.

User Enrollment

Before you can use any OmniPass features you must first enroll a user into OmniPass.

Master Password Concept

Computer resources are often protected with passwords. Whether you are logging into your computer, accessing your email, e-banking, paying bills online, or accessing network resources, you often have to supply credentials to gain access. This can result in dozens of sets of credentials that you have to remember.

During user enrollment a "master password" is created for the enrolled user. This master password "replaces" all other passwords for sites you register with OmniPass.

Example: A user, John, installs OmniPass on his system (his home computer) and enrolls an OmniPass user with username "John_01" and password "freq14". He then goes to his webmail site to log onto his account. He inputs his webmail credentials as usual (username "John_02" and password "lifebook"), but instead of clicking [Submit], he directs OmniPass to **Remember Password**. Now whenever he returns to that site, OmniPass will prompt him to supply access credentials.

John enters his OmniPass user credentials ("John_01" and "freq14") in the OmniPass authentication prompt, and he is allowed into his webmail account. He can do this with as many web sites or password protected resources he likes, and he will gain access to all those sites with his OmniPass user credentials ("John_01" and "freq14"). This is assuming he is accessing those sites with the system onto which he enrolled his OmniPass user. OmniPass does not actually change the credentials of the password protected resource. If John were to go to another computer without he OmniPass account to access his webmail, he would need to enter his original webmail credentials ("John_02" and "lifebook") to gain access. If he attempts his OmniPass user credentials on a system other than a system he's enrolled on, he will not gain access.



THE ENROLLMENT PROCEDURE ASSUMES YOU HAVE NO HARDWARE AUTHENTICATION DEVICES OR ALTERNATE STORAGE LOCATIONS THAT YOU WISH TO INTEGRATE WITH OMNIPASS. IF YOU DESIRE SUCH FUNCTIONALITY, CONSULT THE APPROPRIATE SECTIONS OF THIS DOCUMENT.

Basic Enrollment

The Enrollment Wizard will guide you through the process of enrolling a user. Unless you specified otherwise, after OmniPass installation the Enrollment Wizard will launch on Windows login. If you do not see the Enrollment Wizard, you can bring it up by clicking **Start** on the Windows taskbar; select **Programs**; select **Softex**; click **OmniPass Enrollment Wizard**.

- 1 Click **Enroll** to proceed to username and password verification. By default, the OmniPass Enrollment Wizard enters the credentials of the currently logged in Windows user.
- 2 Enter the password you use to log in to Windows. This will become the “master password” for this OmniPass user. In most cases, the **Domain:** value will be your Windows computer name. In a corporate environment, or when accessing corporate resources, the **Domain:** may not be your Windows computer name. Click [Next] to continue.
- 3 In this step OmniPass captures your fingerprint. Refer to “Enrolling a Fingerprint” on page 175 for additional information.
- 4 Next, choose how OmniPass notifies you of various events. We recommend you keep **Taskbar Tips** on **Beginner mode taskbar tips** and **Audio Tips** on at least **Prompt with system beeps only** until you get accustomed to how OmniPass operates. Click [Next] to proceed with user enrollment. You will then see a Congratulations screen indicating your completion of user enrollment.
- 5 Click [Done] to exit the OmniPass Enrollment Wizard. You will be asked if you’d like to log in to OmniPass with your newly enrolled user; click [Yes].

Enrolling a Fingerprint

Enrolling a fingerprint will increase the security of your system and streamline the authentication procedure.

You enroll fingerprints in the OmniPass Control Center. With an OmniPass user logged in, double-click the system tray OmniPass icon. Select the **User Settings** tab and click **Enrollment** under the **User Settings** area. Click **Enroll Authentication Device** and authenticate at the authentication prompt to start device enrollment.

- 1 During initial user enrollment, you will be prompted to select the finger you wish to enroll. Fingers that have already been enrolled will be marked by a green check. The finger you select to enroll at this time will be marked by a red arrow. OmniPass will allow you re-enroll a finger. If you choose a finger that has already been enrolled and continue enrollment, OmniPass will enroll the fingerprint, overwriting the old fingerprint. Select a finger to enroll and click [Next].
- 2 It is now time for OmniPass to capture your selected fingerprint. It may take a several capture attempts before OmniPass acquires your fingerprint. Should OmniPass fail to acquire your fingerprint, or if the capture screen times out, click [Back] to restart the fingerprint enrollment process.

Your system has a “swipe” fingerprint sensor. A swipe sensor is small and resembles a skinny elongated rectangle. To capture a fingerprint, gently swipe or pull your fingertip over the sensor (starting at the second knuckle) **towards yourself**. Swiping too fast or too slow will result in a failed capture. The **Choose Finger** screen has a [Practice] button; click it to practice capturing your fingerprint. When you are comfortable with how your fingerprint is captured, proceed to enroll a finger.

- 3 3. Once OmniPass has successfully acquired the fingerprint, the **Verify Fingerprint** screen will automatically appear. To verify your enrolled fingerprint, place your fingertip on the sensor and hold it there as if you were having a fingerprint captured. Successful fingerprint verification will show a green fingerprint in the capture window and the text **Verification Successful** under the capture window.

Using OmniPass

You are now ready to begin using OmniPass. Used regularly, OmniPass will streamline your authentications.

Password Replacement

You will often use the password replacement function. When you go to a restricted access website (e.g., your bank, your web-based email, online auction or payment sites), you are always prompted to enter your login credentials. OmniPass can detect these prompts and you can teach OmniPass your login credentials. The next time you go to that website, you can authenticate with your fingerprint to gain access.

OmniPass Authentication Toolbar

After installing OmniPass and restarting, you will notice a dialog you have not seen before at Windows Logon. This is the OmniPass Authentication Toolbar, and it is displayed whenever the OmniPass authentication system is invoked. The OmniPass authentication system may be invoked frequently: during Windows Logon, during OmniPass Logon, when unlocking your workstation, when resuming from sleep or hibernate, when unlocking a password-enabled screensaver, during password replacement for remembered site or application logins, and more. When you see this toolbar, OmniPass is prompting you to authenticate.

The **Logon Authentication** window indicates what OmniPass-restricted function you are attempting. The icons in the lower left (fingerprint and key) show what authentication methods are available to you. Selected authentication methods are highlighted while unselected methods are not. When you click the icon for an unselected authentication method, the authentication prompt associated with that method is displayed.

When prompted to authenticate, you must supply the appropriate credentials: an enrolled finger for the fingerprint capture window or your master password for the master password prompt (the key icon).

Remembering a Password

OmniPass can remember any application, GUI, or password protected resource that has a password prompt.

Using the following procedure, you can store a set of credentials into OmniPass. These credentials will then be linked to your “master password” or fingerprint.

Go to a site that requires a login (username and password), but *do not log in yet*. At the site login prompt, enter your username and password in the prompted fields, but *do not enter the site* (do not hit [Enter], [Submit], [OK], or Login). Right-click the OmniPass system tray icon and select **Remember Password** from the submenu. The Windows arrow cursor will change to a golden key OmniPass cursor. Click the OmniPass cursor in the login prompt area, but don't click [Login] or [Submit].

Associating a Friendly Name

After clicking the OmniPass key cursor near the login prompt, OmniPass will prompt you to enter a “friendly name” for this site. You should enter something that reminds you of the website, the company, or the service you are logging into. In its secure database, OmniPass associates this friendly name with this website.

Additional Settings for Remembering a Site

When OmniPass prompts you to enter a “friendly name” you also have the opportunity to set how OmniPass authenticates you to this site. There are three effective settings for how OmniPass handles a remembered site.

The default setting is **Automatically click the “OK” or “Submit” button for this password protected site once the user is authenticated.** With this setting, each time you navigate to this site OmniPass will prompt you for your master password or fingerprint authentication device. Once you have authenticated with OmniPass, you will automatically be logged into the site.

Less secure is the option to **Automatically enter this password protected site when it is activated. Do not prompt for authentication.** Check the upper box to get this setting, and each time you navigate to this site OmniPass will log you into the site without prompting you to authenticate.



THIS SETTING IS MORE CONVENIENT IN THAT WHENEVER YOU GO TO A SITE REMEMBERED WITH THIS SETTING, YOU WILL BYPASS ANY AUTHENTICATION PROCEDURE AND GAIN INSTANT ACCESS TO THE SITE. BUT SHOULD YOU LEAVE YOUR SYSTEM UNATTENDED WITH YOUR OMNIPASS USER LOGGED IN, ANYONE USING YOUR SYSTEM CAN BROWSE TO YOUR PASSWORD PROTECTED SITES AND GAIN AUTOMATIC ACCESS.

If you uncheck both boxes in **Settings for this Password Site**, OmniPass will prompt you for your master password or fingerprint authentication device. Once you have authenticated with OmniPass your credentials will be filled in to the site login prompt, but you will have to click the website [OK], [Submit], or [Login] button to gain access to the site.

Click **Finish** to complete the remember password procedure. The site location, the credentials to access the site, and the OmniPass authentication settings for the site are now stored in the OmniPass secure database. The OmniPass authentication settings (**Settings for this Password Site**) can always be changed in **Vault Management**.

Logging in to a Remembered Site

Whether or not OmniPass prompts you to authenticate when you return to a remembered site is determined by **Settings for this Password Site** and can be changed in **Vault Management**.

The following cases are applicable to using OmniPass to login to: Windows, remembered web sites, and all other password protected resources.

With Master Password

Once you return to a site you have remembered with OmniPass, you may be presented with a master password prompt. Enter your master password and you will be allowed into the site.

Logging into Windows with a Fingerprint Device

When logging into Windows with a fingerprint device, the fingerprint capture window will now appear next to the Windows Login screen. Place your enrolled fingertip on the sensor to authenticate. You will be simultaneously logged into Windows and OmniPass. The capture window will also appear if you have used **Ctrl-Alt-Del** to lock a system, and the fingerprint device can be used to log back in as stated above.



IF A MACHINE IS LOCKED AND OMNIPASS DETECTS A DIFFERENT USER LOGGING BACK IN WITH A FINGERPRINT, THE FIRST USER WILL BE LOGGED OUT AND THE SECOND USER LOGGED IN.

Password Management

OmniPass provides an interface that lets you manage your passwords. To access this GUI, double-click the OmniPass key in the system tray. Click **Vault Management**; you will be prompted to authenticate. Once you gain access to **Vault Management**, click **Manage Passwords** under **Vault Settings**. You will see the **Manage Passwords** interface, with a list of friendly names.

You can view the credentials stored for any remembered website by highlighting the desired resource under **Password Protected Dialog** and clicking **Unmask Values**. Should a password be reset, or an account expire, you can remove stored credentials from OmniPass. Highlight the desired resource under **Password Protected Dialog** and click **Delete Page**. You will be prompted to confirm the password deletion.

The two check boxes in **Manage Passwords** govern whether OmniPass prompts you to authenticate or directly logs you into the remembered site.

OmniPass will overwrite an old set of credentials for a website if you attempt to use **Remember Password** on an already remembered site.

The exception to the above rule is when resetting the Windows password. If your password is reset in Windows, the next time you login to Windows, OmniPass will detect the password change and prompt you to “Update” or “Reconfirm” the password with OmniPass. Enter your new Windows password in the prompt and click **OK**. Your OmniPass "master password" will still be your Windows password.

OmniPass User Identities

Identities allow OmniPass users to have multiple accounts to the same site (e.g., *bob@biblomail.com* and *boballen@biblomail.com*). If OmniPass did not provide you identities, you would be limited to remembering one account per site.

To create and manage identities, double-click the OmniPass key in the system tray. Click **Vault Management**; OmniPass will prompt you to authenticate. Once you gain access to **Vault Management**, click **Manage Identities** under **Vault Settings**. You can only manage the identities of the currently logged in OmniPass user

To add a new identity, click **New Identity** or double-click **Click here to add a new identity**. Name the new identity and click [OK], then click [Apply]. You can now switch to the new identity and start remembering passwords.

To delete an identity, highlight the identity you want to delete and click [Delete Identity], then click [Apply].



WHEN YOU DELETE AN IDENTITY, ALL OF ITS ASSOCIATED REMEMBERED SITES AND PASSWORD PROTECTED DIALOGS ARE LOST.

To set the default identity, highlight the identity you want as default and click [Set as Default]; click [Apply] to ensure the settings are saved. If you log in to OmniPass with a fingerprint device, you will automatically be logged in to the default identity for that OmniPass user. You can choose the identity with which you are logging in if you login using "master password".

Choosing User Identity during Login

To choose your identity during login, type your username in the **User Name:** field. Press [Tab] and see that the **Domain:** field self-populates. Click the **Password:** field to bring the cursor to it, and you will see the pull-down menu in the **Identity:** field. Select the identity to login as, then click **OK**.

Switch User Identity

To switch identities at any time, right-click the OmniPass system tray icon and click **Switch User Identity** from the submenu. The **Switch Identity** dialog will appear. Select the desired identity and then click **OK**.

Identities and Password Management

On the **Manage Passwords** interface of the **Vault Management** tab of the OmniPass Control Center, there is a pull-down selection box labeled, **Identity**. This field lets you choose which identity you are managing passwords for. When you select an identity here, only those password protected dialogs that are associated with that identity are shown. You can perform all the functions explained in “Password Management” on page 179.

Configuring OmniPass

This section gives an overview of both the Export/Import function and the OmniPass Control Center.

Exporting and Importing Users



YOU CANNOT IMPORT A USER INTO OMNIPASS IF THERE ALREADY IS A USER WITH THE SAME NAME ENROLLED IN OMNIPASS.

Using OmniPass Control Center, you can export and import users in and out of OmniPass. The export process backs up all remembered sites, credentials, and enrolled fingerprints for an OmniPass user. All OmniPass data for a user is backed up to a single encrypted database file. During the import process, the Windows login of the exported user is required. If the proper credentials cannot be supplied, the user profile will not be imported.



- YOU SHOULD PERIODICALLY EXPORT YOUR USER PROFILE AND STORE IT IN A SAFE PLACE. IF ANYTHING HAPPENS TO YOUR SYSTEM, YOU CAN IMPORT YOUR OMNIPASS PROFILE TO A NEW SYSTEM AND HAVE ALL YOUR REMEMBERED SETTINGS AND FINGERPRINTS INSTANTLY.
- YOU DON'T FORGET THE WINDOWS LOGIN CREDENTIALS WHEN EXPORTING. WHEN YOU EXAMINE THE IMPORTATION, YOU ARE PROMPTED FOR AUTHENTICATION. THE CREDENTIALS THAT WILL ALLOW A USER PROFILE TO BE IMPORTED ARE THE WINDOWS LOGIN CREDENTIALS OF THE EXPORTED USER. THEY ARE THE CREDENTIALS THAT HAD TO BE SUBMITTED WHEN THE USER PROFILE WAS EXPORTED. YOU WILL NEED USER NAME, PASSWORD, AND DOMAIN.

Exporting an OmniPass User Profile

To export a user, open the OmniPass Control Center, and click **Import/Export User** under **Manage Users**.

Click **Exports an OmniPass user profile**. OmniPass will prompt you to authenticate. Upon successfully authentication, you must name the OmniPass user profile and decide where to save it. An .opi file is generated, and you should store a copy of it in a safe place.

This .opi file contains all your user specific OmniPass data, and it is both encrypted and password protected. This user profile does NOT contain any of your encrypted data files.

Importing an OmniPass User Profile

To import an OmniPass user open the OmniPass Control Center, and click Import/Export User under Manage Users. Click Imports a new user into OmniPass and then select OmniPass Import/Export File (*.opi) and click Next. OmniPass will then prompt you to browse for the file you had previously exported (.opi file). When you select the .opi file for importation, OmniPass will prompt you for authentication. The credentials that will allow a user profile to be imported are the Windows login credentials of the exported user. They are the credentials that had to be submitted when the user profile was exported. You will need User Name, Password, and Domain. If you don't remember the value for Domain, in a PC or SOHO environment Domain should be your computer name.

OmniPass will notify you if the user was successfully imported.

Things to Know Regarding Import/Export

- Assume you export a local Windows User profile from OmniPass. You want to import that profile to another machine that has OmniPass. Before you can import the profile, a Windows user with the same login credentials must be created on the machine importing the profile.

Example: I have a Windows user with the username “Tom” and the password “Sunshine” on my system. I have enrolled Tom into OmniPass and remembered passwords. I want to take all my passwords to new system. I export Tom’s OmniPass user profile. I go to my new system and using the Control Panel I create a user with the username "Tom" and the password "Sunshine". I can now successfully import the OmniPass user data to the new system.

- If you export an OmniPass-only user, you can import that user to any computer running OmniPass, provided that a user with that name is not already enrolled in OmniPass.
- If you attempt to import a user profile who has the same name as a user already enrolled in OmniPass, the OmniPass import function will fail.

OmniPass Control Center

This section will serve to explain functions within the OmniPass Control Center that weren't explained earlier.

You can access the OmniPass Control Center any of three ways:

- Double-click the golden OmniPass key shaped icon in the Windows taskbar (typically in the lower-right corner of the desktop)
- Click the **Start** button; select the **Programs** group; select the **Softex** program group; and click the **OmniPass Control Center** selection.
- Open the Windows **Control Panel** (accessible via [Start] > **Settings** > **Control Panel**) and double-click the **Softex OmniPass** icon.

User Management

The User Management tab has two major interfaces: **Add/Remove User** and **Import/Export User**. Import/Export User functionality is documented in “Exporting and Importing Users” on page 182. Add/Remove User functionality is straightforward.

If you click **Adds a new user to OmniPass** you will start the OmniPass Enrollment Wizard. The Enrollment Wizard is documented in “User Enrollment” on page 174.

If you click **Removes a user from OmniPass**, OmniPass will prompt you to authenticate. Authenticate with the credentials (or enrolled fingerprint) of the user you wish to remove. OmniPass will prompt you to confirm user removal. Click **OK** to complete user removal.



REMOVING A USER WILL AUTOMATICALLY DESTROY ALL OMNIPASS DATA ASSOCIATED WITH THAT USER. ALL IDENTITIES AND CREDENTIALS ASSOCIATED WITH THE USER WILL BE LOST.

IF YOU'RE SURE YOU WANT TO REMOVE THE USER, WE RECOMMEND YOU EXPORT THE USER PROFILE.

User Settings

The User Settings tab has four interfaces: **Audio Settings**, **Taskbar Tips**, and **Enrollment**. User settings allow users to customize OmniPass to suit their individual preferences. Under **User Settings (Audio Settings and Taskbar Tips)** you can set how OmniPass notifies the user of OmniPass events (e.g., successful login, access denied, etc.). The details of each setting under the **Audio Settings** and **Taskbar Tips** interfaces are self-explanatory.

The **Enrollment** interface allows you to enroll fingerprints. For the procedure to enroll and authentication device refer to *Chapter 2.3*. To enroll additional fingerprints, click **Enroll Authentication Device**, and authenticate with OmniPass. Select the fingerprint recognition device in the **Select Authentication Device** screen (it should already be marked by a green check if you have a finger enrolled) and click **Next**.

System Settings

The OmniPass **Startup Options** interface can be found in the System Settings tab. With these options you can specify how your OmniPass Logon is tied to your Windows Logon.

The first option, **Automatically log on to OmniPass as the current user**, will do just as it says; during Windows login, you will be logged on to OmniPass using your Windows login credentials. If the user logging into Windows was never enrolled into OmniPass, upon login no one will be logged on to OmniPass. This setting is appropriate for an office setting or any setting where users must enter a username and password to log into a computer. This is the default setting.

With the second option, **Manually log on to OmniPass at startup**, OmniPass will prompt you to login once you have logged on to Windows.

With the third option, **Do not log on to OmniPass at startup**, OmniPass will not prompt for a user to be logged on.

You can manually log on to OmniPass by right-clicking the OmniPass taskbar icon and clicking **Log in User** from the right-click menu.

Troubleshooting

You cannot use OmniPass to create Windows users. You must first create the Windows user, and you will need administrative privileges to do that. Once the Windows user is created, you can add that user to OmniPass using the same username and password

Cannot add Windows users to OmniPass

If you experience difficulties adding a Windows user to OmniPass, you may need to adjust your local security settings. You can do this by going to **Start, Control Panel, Administrative Tools, and Local Security Settings**. Expand **Local Policies**, expand **Security Options**, and double-click **Network Access: Sharing and Security Model for Local Accounts**. The correct setting should be *Classic - Local Users Authenticate as Themselves*.

Cannot add a User with a Blank Password to OmniPas

If you experience difficulties adding a user with a blank password to OmniPass, you may need to adjust your local security settings. First attempt the procedure explained in the *Cannot add Windows user to OmniPass* section. If the difficulties persist, then try the following procedure.

Click **Start, Control Panel, Administrative Tools, and Local Security Settings**. Expand **Local Policies**, expand **Security Options**, and double-click **Accounts: Limit local account use of blank passwords to console login only**. This setting should be set to Disabled.

Dialog appears after OmniPass authentication during Windows Logon

After installing OmniPass on your system, you can choose to logon to Windows using OmniPass. You authenticate with OmniPass (via master password, or an enrolled security device) and OmniPass logs you into Windows. You may, during this OmniPass authentication, see a **Logon Error** dialog box.

This dialog box occurs when OmniPass was unable to log you into Windows with the credentials supplied (username and password). This could happen for any of the following reasons:

- Your Windows password has changed
- Your Windows account has been disabled

If you are having difficulties due to the first reason, you will need to update OmniPass with your changed Windows account password. Click **Update Password** and you will be prompted with a dialog to reconfirm your password.

Enter the new password to your Windows user account and click **OK**. If the error persists, then it is unlikely the problem is due to your Windows user account password changing.

Index

A

- About This Guide 1, 8
- AC
 - adapter 47
 - plug adapters 121
- Anti-theft lock slot 20
- Application Panel 38
- Auto/Airline Adapter 47
- Automatically Downloading Driver Updates 114

B

- Battery 62
 - alarm 64
 - bay 23
 - care 122
 - cold-swapping 65
 - conserving power 57
 - dead 101
 - faulty 101
 - increasing life 122
 - level indicator 25
 - lithium ion battery 62
 - low 64
 - problems 101, 102
 - recharging 63
 - replacing 65
 - shorted 65
 - Sleep mode 64

BIOS

- guide 53
- setup utility 52
- Bluetooth 168
- Built-in Speakers 95

C

- CapsLock 27
- CD-ROM 95, 96
- Click Me! 55
- Clicking 32
- Cold-swapping 37, 65
- Configuration Label 125
- Controls and Connectors 12
- Conventions Used in the Guide 8
- Cursor 31
- Cursor Keys 29

D

- DC Power Jack 47
- Device Ports 85, 129
- DIMM 81
- Display Panel 13, 48
 - adjusting 49
 - brightness 49
 - closing 50
 - latch 13
 - opening 48
 - problems 103

- Docking Port 87
- Double-Clicking 33
- Dragging 33
- Drivers and Application Restore CD 110
- DVD drive
 - problems 95, 96
 - tray release 71

E

- Emergency tray release 20
- Error Messages 105
- ExpressCards 76
- External Floppy Disk Drive
 - problems 96, 97
- External Monitor Port 18, 91

F

- FDU 56, 114, 134
- Fingerprint Sensor Device 170
 - enrolling a fingerprint 175
 - getting started 171
 - installing OmniPass 171
 - logging into a remembered site 179
 - OmniPass authentication toolbar 177
 - password replacement 176
 - remembering a password 177
 - uninstalling OmniPass 173
 - user enrollment 174
 - using OmniPass 176
- Flexible Bay 18, 36
 - cold-swapping 37
 - devices 36
 - eject lever 19
 - installing 36
 - Modular Multi-Format DVD Writer 67
 - removing 36

- Fujitsu Contact Information 9
- Fujitsu Driver Update utility 56, 114, 134
- Fujitsu LifeBook
 - storing 119, 120
 - traveling 121

Function Key

- F10 30
- F3 30
- F4 30
- F6 30
- F7 30
- F8 30, 35
- F9 30, 35
- FN 30

H

- Hard Disk Drive
 - access indicator 26
 - problems 97
- Headphone Jack 90
- Hibernation Feature 58
 - disable/enable 59

I

- Installing 77, 78
- Internal LAN Jack 86

K

- Keyboard 13, 28
 - cursor keys 29
 - function keys 29
 - numeric keypad 28
 - problems 97
 - windows keys 29

L

- LAN (RJ-45) Jack 20
- LifeBook Security Application Panel 13
 - buttons 43
 - configuring 44
 - deactivating 45
 - deactivating and activating 45
 - launching applications 43
 - operating 40
 - passwords 39
 - uninstalling 42

M

- Media Player
 - care 123
 - Control Panel 72
 - loading 68
 - removing 70
 - Software 68, 71
 - using 72
- Memory
 - capacity 84
 - compartment 22, 82
 - installing 81
 - problems 98
 - removing 83, 84
 - upgrade module 81
- Memory Stick
 - installing 75
 - removing 75
- Microphone Jack 14, 90
- Modem 21
 - problems 98
- Modem Jack 85
- Modem Result Codes 109

- Modular Devices 36
 - installing 36
 - removing 36
- Mouse
 - problems 97

N

- NumLk 26

O

- Optical Drive 67

P

- Parallel Port 87
 - problems 99
- PC Card
 - problems 99, 100
 - removing 77, 79
 - slot 15, 16
- Pointing Device
 - See Touchpad 31
- Port Replicator
 - connector 23
 - problems 96
- Power
 - AC adapter 46
 - Auto/Airline adapter 46
 - indicator 24
 - management 57
 - off 60
 - on 51
 - problems 102
 - sources 46
- Power Management 57
- Power On Self Test 51, 105
- Power/Suspend/Resume Button 13, 57

Pre-Installed Software 132
 Adobe Acrobat Reader 133
 Google Toolbar 134
 manuals 133

R

Registration 55
Restarting 59
Restoring Your Pre-installed Software 110
RJ-11 85
RJ-45 86

S

ScrLk 27
SD Card
 installing 75
 removing 75
SDRAM 22, 81
Security Panel 38
Serial Port 88
 problems 99
Sleep Mode 57
Specifications 125
 Audio 127
 Chipset 126
 Dimensions and Weight 131
 Environmental Requirements 131
 Keyboard 130
 Memory 126
 Microprocessor 126
 Power 131
 Video 126
Status Indicator Panel 13, 24
Stereo Speakers 14

T

Touchpad 31
 buttons 31
 controls 33
Touchpad Pointing Device 14
Troubleshooting 92

U

Universal Serial Bus Ports 88
Unpacking 11
USB 88, 98
 problems 99
USB 2.0 Ports 18, 20

V

Volume control 35


W

Warranty 10
Windows keys 29
 Application key 29
 Start keys 29
Windows Vista
 configuring the WLAN 162
Windows XP
 configuring the Wireless LAN 163
Wireless LAN
 Before Using the Wireless LAN 157
 connection to the network 163
 Specifications 166
 Troubleshooting 164

Guide d'utilisation

Découvrez comment
utiliser votre ordinateur
portable Fujitsu
LifeBook E780




FUJITSU



Informations sur les droits d'auteurs et les marques commerciales

Fujitsu America, Incorporated s'est efforcée d'assurer la précision ainsi que l'intégralité de ce document ; toutefois, compte tenu de nos efforts de développement et d'amélioration constants des capacités de nos produits, nous ne sommes pas en mesure de garantir la précision du contenu de ce document. Nous réfutons toute responsabilité relative à des erreurs, des omissions ou des modifications futures.

Fujitsu, le logo Fujitsu et LifeBook sont des marques déposées de Fujitsu Limited.

Intel, Intel Core, Centrino et Intel Centrino Pro sont des marques de commerce ou des marques déposées de la société Intel ou des ses filiales aux États-Unis et dans d'autres pays.

Microsoft, Windows et Windows Vista sont des marques déposées ou des marques de commerce de la société Microsoft aux États-Unis et/ou dans d'autres pays.

Le nom de marque et le logo ExpressCard appartiennent à l'association PCMCIA (Personal Computer Memory Card International Association) et toute utilisation de ces marques par la société Fujitsu Computer Systems est faite sous licence.

Google et Picasa sont des marques de commerce ou des marques déposées de Google Incorporated.

PCMCIA est une marque de commerce de la Personal Computer Memory Card International Association.

Bluetooth est une marque de commerce de Bluetooth SIG, Inc., USA.

XSPAN est une marque de commerce de Atheros Communications.

OmniPass est une marque de commerce de Softex, Inc.

Roxio est une marque de commerce de Roxio, une division de Sonic Solutions.

PowerDirector, PowerDVD, YouCam et MakeDisc sont des marques de commerce de la société CyberLink.

NVIDIA et GeForce sont des marques de commerce ou des marques déposées de la société NVIDIA.

Adobe, Acrobat et Acrobat Reader sont des marques de commerce ou des marques déposées de la société Adobe Systems Incorporated aux États-Unis et/ou dans d'autres pays.

Norton et Norton Internet Security sont des marques de commerce ou des marques déposées de la société Symantec aux États-Unis et dans d'autres pays.

Le lecteur de DVD disponible sur certains modèles d'ordinateurs portables LifeBook comporte des technologies dont les droits d'auteur sont protégés dans le cadre de divers brevets américains et d'autres droits de propriété intellectuelle appartenant à la société Macrovision et à d'autres utilisateurs autorisés. L'utilisation de cette technologie protégée par des droits d'auteur doit être autorisée par la société Macrovision et ne doit servir qu'à un usage privé ou à d'autres usages limités semblables, à moins d'autorisation spéciale par la société Macrovision. La rétro-ingénierie et le désassemblage sont interdits.

Toutes les autres marques de commerce mentionnées dans le présent document sont la propriété de leur détenteur respectif.

AVERTISSEMENT



LA MANIPULATION DU CORDON DE CE PRODUIT VOUS EXPOSE AU PLOMB, UNE SUBSTANCE CHIMIQUE QUI, SELON L'ÉTAT DE CALIFORNIE, PEUT CAUSER DES ANOMALIES CONGÉNITALES OU D'AUTRES PROBLÈMES DE REPRODUCTION.

LAVEZ-VOUS LES MAINS APRÈS CHAQUE MANIPULATION.

© Copyright 2009 Fujitsu America, Incorporated. Tous droits réservés.

Aucune partie de cette publication ne peut être copiée, reproduite ou traduite sans le consentement préalable de Fujitsu. Aucune partie de cette publication ne peut être enregistrée ou transmise électroniquement sans le consentement écrit de Fujitsu.



DÉCLARATION DE CONFORMITÉ

selon la partie 15 des règles de la FCC

Nom de la partie responsable :	Fujitsu America, Incorporated
Adresse :	1250 E. Arques Avenue Sunnyvale, CA 94085
Téléphone :	(408) 746-6000
Déclare que le produit :	Configuration du modèle de base : Ordinateur portable LifeBook E780

Est conforme aux règles établies dans la Partie 15 des règles de la FCC.

Cet appareil est conforme aux exigences de la partie 15 des règles de la FCC. L'utilisation est sujette aux deux conditions suivantes : (1) cet appareil ne doit pas causer d'interférence nuisible ; (2) cet appareil doit accepter toutes les interférences reçues, y compris celles pouvant causer un mauvais fonctionnement de l'appareil.

CONSIGNES DE SÉCURITÉ IMPORTANTES

Pour fonctionner, cet appareil nécessite un adaptateur secteur. Utilisez uniquement un adaptateur, homologué UL I.T.E., avec une sortie nominale de 19 V c.c. L'intensité du courant est déterminée par la carte graphique utilisée par le système et est indiquée sur l'étiquette de configuration Fujitsu située sous l'ordinateur.

Polarité de sortie de l'adaptateur secteur :



Pendant l'utilisation de l'ordinateur portable, observez toujours les consignes de sécurité élémentaires ci-après afin de réduire au minimum le risque d'incendie, d'électrocution ou d'autres blessures. Notamment :

- N'utilisez pas ce produit à proximité d'un point d'eau (baignoire, lavabo, évier de cuisine, évier de buanderie) ni dans un sous-sol humide ou à côté d'une piscine.
- Durant un orage électrique, évitez d'utiliser le modem. Il existe de faibles risques que la foudre cause une électrocution.
- N'utilisez pas le modem pour signaler une fuite de gaz s'il est situé à proximité de la fuite.
- Utilisez uniquement le cordon d'alimentation et les piles recommandés dans ce manuel. Ne jetez pas les piles ou les batteries dans un feu. Elles risquent d'exploser. Vérifiez si la réglementation locale comporte des instructions spéciales d'élimination.
- Pour réduire les risques d'incendie, utilisez uniquement un cordon d'alimentation pour télécommunications de grosseur 26 AWG ou plus, avec homologation UL ou CSA.
- Si l'appareil est utilisé à titre de récepteur de télévision : si vous utilisez un système de câblodistribution, protégez-vous contre les surtensions et les transitoires en vous assurant que la gaine extérieure du câble coaxial est relié à la terre dans le bâtiment, aussi près que possible du point d'entrée du câble, conformément à l'article 820.93 du code électrique des États-Unis et à la norme ANSI/NFPA 70 : 2005. Si vous avez des questions concernant votre installation de câblodistribution, contactez votre câblodistributeur.

CONSERVEZ CES INSTRUCTIONS

Avis réservé à des réparateurs qualifiés



DANGER D'EXPLOSION SI LA BATTERIE AU LITHIUM (HORLOGE) EST INCORRECTEMENT REMPLACÉE. LA BATTERIE DOIT ÊTRE REMPLACÉE UNIQUEMENT PAR UNE BATTERIE IDENTIQUE OU D'UN TYPE ÉQUIVALENT RECOMMANDÉ PAR LE FABRICANT. JETEZ LES BATTERIES USÉES CONFORMÉMENT AUX INSTRUCTIONS DU FABRICANT.



POUR BÉNÉFICIER D'UNE PROTECTION CONTINUE CONTRE LES RISQUES D'INCENDIE, LE FUSIBLE NE DOIT ÊTRE REMPLACÉ QUE PAR UN AUTRE FUSIBLE DE MÊME TYPE ET DE MÊME CAPACITÉ.

Recyclage de la batterie

Avec le temps, l'autonomie des batteries qui alimentent votre ordinateur portable finira par diminuer ; c'est un phénomène naturel pour toutes les batteries. Lorsque vous remarquerez cela, songez à installer une batterie neuve*. Si vous remplacez votre ancienne batterie, il est important que vous la jetiez comme il convient car, dans le cas contraire, les matériaux qu'elle contient risquent de nuire à l'environnement.

Chez Fujitsu, nous portons une attention particulière à la protection de l'environnement et nous collaborons donc avec la Rechargeable Battery Recycle Corporation (RBRC)**, une organisation de service publique à but non lucratif qui s'engage dans la protection.

La RBRC dispose de dizaines de milliers de points de collecte aux États-Unis et au Canada. Pour trouver le lieu de collecte le plus proche de chez vous, visitez www.RBRC.org ou appelez au 1-800-822-8837.

Si aucun des lieux proposés par la RBRC ne vous convient, vous pouvez en chercher un autre en visitant le site Internet de la Consumer Education Initiative (Initiative pour l'éducation des consommateurs) de l'EIA (Electronic Industries Alliance) à <http://EIAE.org>.

Rappelez-vous que la protection de l'environnement est l'affaire de tous, vous devriez donc faire tout votre possible afin d'y contribuer, pour la génération actuelle et les générations suivantes.

- * Pour commander une nouvelle batterie compatible avec votre ordinateur portable Fujitsu, visitez le site www.shopfujitsu.com si vous résidez aux États-Unis ou www.fujitsu.ca/products/notebooks si vous résidez au Canada.
- ** La RBRC est une organisation indépendante dont Fujitsu finance une partie des activités de recyclage ; la RBRC n'est en aucune façon affiliée à Fujitsu.



Table des matières

Préface

À propos de ce guide	9
Conventions utilisées dans ce guide	9
Coordonnées pour contacter Fujitsu	10

Chapitre 1 Présentation de votre ordinateur LifeBook

Aperçu général	12
Emplacement des commandes et des connecteurs	13
Composants supérieurs	14
Composants sur le côté gauche de l'ordinateur	16
Composants sur le côté droit de l'ordinateur	19
Composants de la face arrière	20
Composants sous l'ordinateur	23
Tableau de voyants d'état	25
Voyant d'alimentation	25
Voyant de charge des batteries	26
Voyant de niveau de charge	26
Voyant de sécurité	27

Voyant d'accès au disque dur/lecteur optique	27
Voyant de verrouillage du pavé numérique (Verr num).	28
Voyant verrouillage des majuscules (Verr maj)	28
Voyant de verrouillage du défilement (Verr défil)	28
Clavier	29
Utilisation du clavier.	29
Pavé tactile TouchPad.	32
Cliquer	33
Double-cliquer	34
Glisser	34
Réglage des commandes du pavé tactile TouchPad	34
Défiler	35
Commande Quick Point en option	35
Réglage du volume	36
Périphériques pour le compartiment multifonction	37
Tableau de sécurité et d'applications LifeBook	39
Configuration de votre tableau de sécurité LifeBook	39
Mots de passe	40
Utilisation du tableau de sécurité et d'applications de votre LifeBook	42
Mises en garde	43
Désinstallation de l'application Tableau de sécurité	43
Lancement d'applications avec le Tableau de sécurité et d'applications	45
 Chapitre 2 Première mise en marche de votre ordinateur portable LifeBook	
Sources d'alimentation	48

Écran	50
Ouverture de l'écran	50
Réglage de la luminosité de l'écran	51
Utilisation du clavier	51
Utilisation des Options d'alimentation (Windows Vista/7)	51
Utilisation du Centre de mobilité Windows (Windows Vista/7)	51
Utilisation de la Gestion de l'alimentation pour contrôler la luminosité de l'écran (Windows 7)	52
Fermeture de l'écran	52
Démarrage de votre ordinateur portable LifeBook	53
Mise sous tension	53
Procédure d'amorçage	54
Mots de passe d'accès au disque dur	54
Utilitaire de configuration du BIOS	55
Démarrage du système	56
Premier démarrage de Windows	56
Enregistrement de votre PC Tablette LifeBook chez Fujitsu	58
Installation de Click Me!	58
Utilitaire de mise à jour des pilotes Fujitsu Driver Update	59
Gestion de l'alimentation	60
Bouton d'alimentation/veille/reprise	60
Mode sommeil	61
Fonction de veille prolongée	62
Gestion de l'alimentation dans Windows	63
Redémarrage du système	63
Mise hors tension	64

Chapitre 3 Options installables par l'utilisateur

Batterie au lithium-ion	66
Procédure de recharge des batteries	67
Remplacement de la batterie	69
Lecteur optique	71
Logiciels du lecteur multimédia	72
Installation d'un disque dans votre lecteur	73
Retrait d'un disque	74
Ouverture d'urgence du plateau	75
Utilisation des logiciels du lecteur multimédia	75
Utilisation du lecteur multimédia avec alimentation par batterie	77
Cartes mémoire MemoryStick/Secure Digital	79
Installation d'une carte Memory Stick ou SD	80
Retrait d'une carte Memory Stick/SD	80
Cartes PC Card/ExpressCard™	81
Installation d'une carte PC Card	82
Retrait d'une carte PC Card	82
Installation d'une carte ExpressCard	83
Retrait d'une carte ExpressCard	85
Lecteur de carte Smart Card (Carte intelligente)	86
Module de mémoire additionnelle	87
Installation des modules de mémoire additionnelle	88
Retrait d'un module de mémoire additionnelle	90
Vérification de la capacité de mémoire	91
Ports de périphériques	92
Prise de téléphone modem (RJ-11)	92
Prise de réseau local (RJ-45) interne	94

E-SATA Port	95
Port d'affichage	95
Connecteur pour duplicateur de ports.....	95
Port série.....	96
Ports USB.....	97
Port IEEE 1394.....	99
Prise d'écouteurs.....	100
Prise de micro.....	100
Port vidéo externe.....	101

Chapitre 4 Dépannage de votre LifeBook

Dépannage 102

Identification du problème	102
Problèmes spécifiques	104
Messages de l'auto-diagnostic de mise sous tension	120
Codes de résultat du modem.....	125

Restaurer vos logiciels préinstallés 126

Réinstallation des applications et pilotes individuels.....	126
Restauration du système d'exploitation pour les systèmes Windows	127
Téléchargement automatique des mises à jour de pilotes.....	131

Chapitre 5 Entretien

Entretien de votre ordinateur portable LifeBook 133

Nettoyage de votre ordinateur portable LifeBook	135
Nettoyage du couvercle du filtre anti-poussière.....	137
Rangement de votre ordinateur portable LifeBook	138
Voyager avec votre ordinateur portable LifeBook.....	139
Batteries	140
Entretien de votre lecteur multimédia.....	141

Chapitre 6 Spécifications techniques

Spécifications techniques du système	143
Étiquette de configuration	143
Microprocesseur	144
Puce	144
Mémoire	144
Vidéo	144
Audio	145
Options de mémoire de masse	146
Périphériques de baie modulaire	146
Caractéristiques techniques	146
Ports de périphériques	147
Clavier	148
Alimentation	149
Dimensions et poids	150
Environnement d'exploitation	150
Accessoires préférés des utilisateurs	150
Logiciels préinstallés	151
Apprendre à utiliser vos logiciels	151

Glossaire

Glossaire	156
------------------------	------------

Renseignements sur la réglementation	169
---	------------

Annexe A : Guide d'utilisation de la carte de réseau local sans fil

Avant d'utiliser la carte réseau sans fil en option	177
Cartes réseau sans fil présentées dans ce document	177
Caractéristiques de la carte réseau sans fil	177
Modes de réseau sans fil compatibles avec cette carte	178

Désactivation/déconnexion de la carte réseau sans fil	180
Désactivation avec le commutateur de dispositif sans fil	181
Désactivation par l'icône dans la zone de notification	181
Activation de la carte réseau sans fil	182
Configuration de la carte réseau sans fil	183
Configuration du réseau local sans fil avec Windows Vista et Windows 7	183
Configuration du réseau local sans fil avec Windows XP	184
Procédure	184
Connexion au réseau	184
Dépannage de la carte réseau sans fil	185
Spécifications de la carte réseau sans fil	187
Utilisation de Bluetooth	189
Présentation de Bluetooth	189
Sources d'informations supplémentaires sur Bluetooth	189
Utilisation d'un périphérique UWB	191
Que signifie l'expression « Certifié Wireless USB » ?	191
Utilisation d'un périphérique certifié Wireless USB	191

Annexe B : Capteur d'empreintes digitales

Présentation du capteur d'empreintes digitales optionnel	192
Première mise en marche	193
Installation d'OmniPass	194
Enregistrement des utilisateurs	196
Utilisation d'OmniPass	200
Configuration d'OmniPass	206
Centre de contrôle OmniPass	208
Dépannage	210
Index	212



Préface

À propos de ce guide

L'ordinateur portable LifeBook E780 de Fujitsu America offre toutes les performances d'un ordinateur de bureau grâce au nouveau processeur Intel® Core™. Selon la configuration du système, votre ordinateur portable intègre un écran couleur TFT HD ou HD+ de 15,6 po. Ce système permet d'apporter toute la puissance informatique des ordinateurs de bureau à un environnement portable.

Votre ordinateur est livré avec le système d'exploitation Microsoft® Windows® 7 Professionnel, Windows Vista® Business (Professionnel) ou Microsoft® Windows® XP Professionnel, pré-installé. Ce manuel présente le mode d'emploi de l'ordinateur portable LifeBook et de ses logiciels intégrés.

Conventions utilisées dans ce guide

Les touches du clavier et à l'écran apparaissent entre crochets. Exemple : [Fn], [F1], [Échap], [Entrée] et [Ctrl].

Le texte contient plusieurs renvois vers des pages contenant des informations supplémentaires sur un sujet quelconque. Exemple : (« Voir Procédure d'installation en page 43 »).

Les éléments des menus à l'écran sont indiqués en caractères gras. Exemple : « Cliquez sur **Menu Fujitsu**, puis faites votre sélection. »

Les commandes DOS que vous devez saisir sont indiquées avec la police Courier. Exemple :
« Arrêter l'ordinateur? »



L'ICÔNE D'INFORMATIONS MET EN ÉVIDENCE DES RENSEIGNEMENTS QUI VOUS AIDERONT À MIEUX COMPRENDRE LE SUJET TRAITÉ.



L'ICÔNE DE MISE EN GARDE MET EN ÉVIDENCE DES INFORMATIONS IMPORTANTES POUR L'UTILISATION SÉCURITAIRE DE VOTRE ORDINATEUR OU POUR L'INTÉGRITÉ DE VOS FICHIERS. VEUILLEZ LIRE ATTENTIVEMENT TOUTES LES MISES EN GARDE.



L'ICÔNE D'AVERTISSEMENT MET EN ÉVIDENCE DES INFORMATIONS SUR DES DANGERS POUR VOUS, VOTRE ORDINATEUR LIFEBOOK OU VOS FICHIERS. VEUILLEZ LIRE ATTENTIVEMENT TOUS LES AVERTISSEMENTS.

Coordonnées pour contacter Fujitsu

Service et assistance

Plusieurs façons s'offrent à vous pour contacter l'équipe de service et assistance de Fujitsu :

- Appel sans frais : 1-800-8Fujitsu (1-800-838-5487)
- Site Internet : <http://www.computers.us.fujitsu.com/support>

Avant de nous contacter, veuillez avoir les informations suivantes à portée de main pour que notre préposé du service à la clientèle puisse vous venir en aide le plus rapidement possible :

- Nom du produit
- Numéro de configuration du produit
- Numéro de série du produit
- Date d'achat

- Conditions dans lesquelles le problème est survenu
- Texte des messages d'erreur reçus
- Types de périphériques connectés, si applicable

Site de vente par internet de Fujitsu

Vous pouvez vous rendre sur ce site directement à : www.shopfujitsu.com.



POUR UTILISER LES HYPERLIENS, VOUS DEVEZ AVOIR UNE CONNEXION INTERNET ACTIVE.

Garantie limitée

Votre ordinateur portable LifeBook est accompagné d'une garantie limitée internationale de Fujitsu. Pour connaître les conditions générales et la durée de votre garantie limitée, consultez la pochette de service livrée avec votre ordinateur.

Chapitre 1

Présentation de votre ordinateur LifeBook

Aperçu général

Cette section décrit les composants de votre ordinateur portable LifeBook E780 Fujitsu. Nous vous suggérons de la lire avant de commencer à utiliser l'ordinateur, même si vous avez déjà utilisé des ordinateurs de ce type.

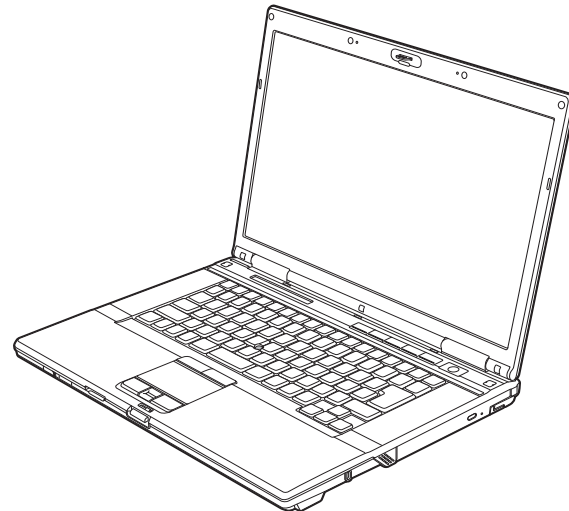


Figure 1. Ordinateur portable Fujitsu LifeBook E780

Emplacement des commandes et des connecteurs

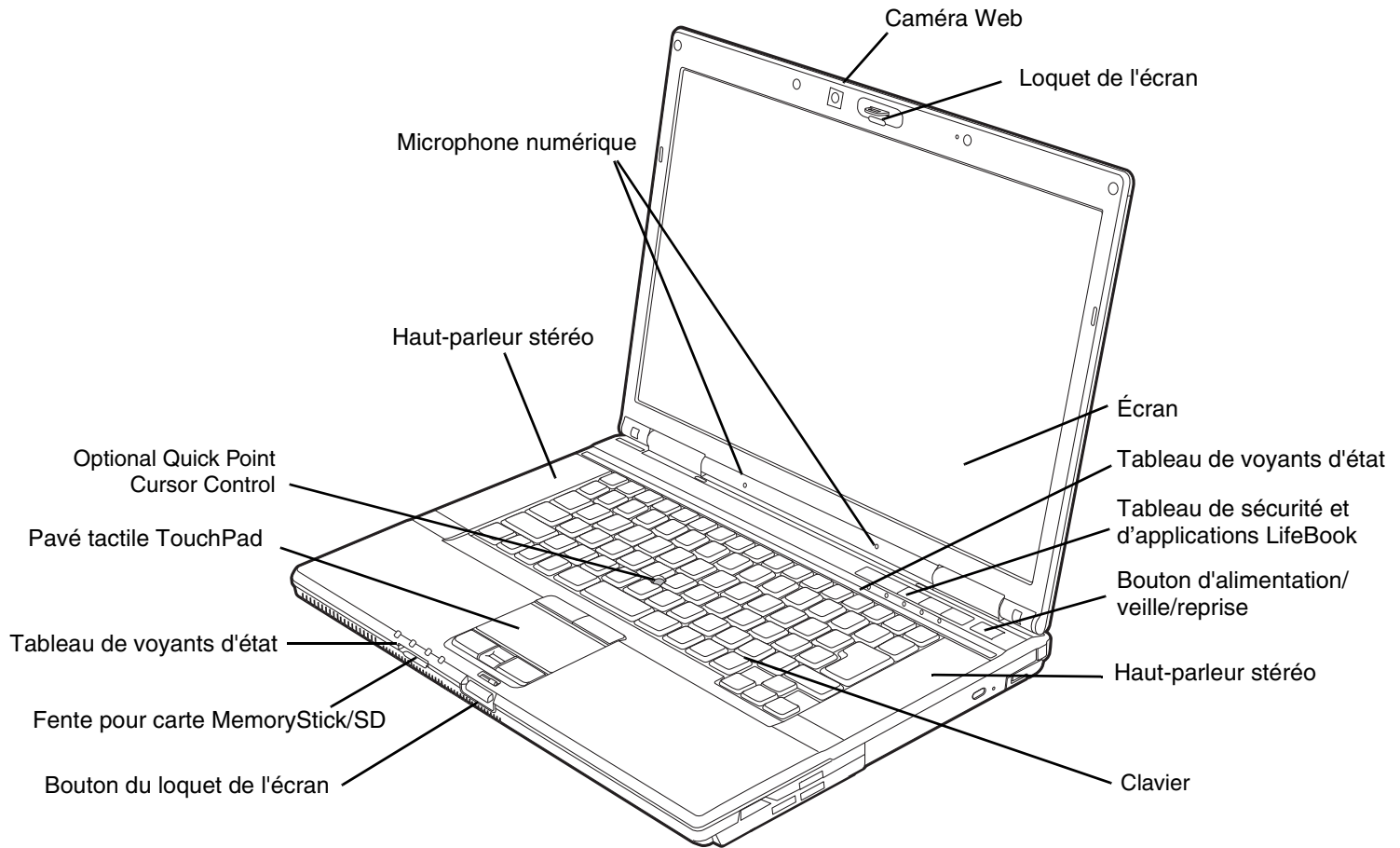


Figure 2. Ordinateur portable LifeBook avec écran ouvert

Composants supérieurs

Voici une courte description des composants se trouvant sur le dessus de votre ordinateur LifeBook.

Caméra Web

La caméra intégrée fonctionne avec une résolution de 1,3 mégapixels. Pour connaître les instructions d'utilisation de la caméra, consultez les fichiers d'aide fournis avec le logiciel de la YouCam.

Loquet de l'écran

Le loquet permet de verrouiller et de déverrouiller l'écran. *Voir « Ouverture de l'écran » en page 50.*

Écran

L'ordinateur est équipé d'un écran à cristaux liquides couleur avec rétro-éclairage, permettant d'afficher des textes et des images.

Tableau de voyants d'état

Le tableau de voyants d'état contient des symboles correspondant à divers composants de votre ordinateur LifeBook. *Voir « Tableau de voyants d'état » en page 25.*

Tableau de sécurité et d'applications LifeBook

Le tableau de sécurité et d'application de l'ordinateur LifeBook assure une sécurité matérielle et permet de lancer des applications au toucher d'un seul bouton. *Voir « Tableau de sécurité et d'applications LifeBook » en page 39.*

Bouton d'alimentation/veille/reprise

Le bouton d'alimentation/veille/reprise vous permet de mettre votre ordinateur en veille sans l'éteindre, de reprendre l'utilisation de l'ordinateur lorsqu'il a été mis en veille et de le faire démarrer s'il est éteint. *Voir « Bouton d'alimentation/veille/reprise » en page 60.*

Haut-parleurs stéréo

Les deux haut-parleurs intégrés permettent une écoute en stéréophonie.

Clavier

Clavier complet avec plusieurs touches spéciales Windows. Voir « *Clavier* » en page 29.

Fente pour carte Memory Stick/SD

La fente pour cartes mémoire MemoryStick/SD permet de connecter une carte MemoryStick/SD pour stocker des données. Cette architecture vous permet de transférer des données à partir d'une grande variété de périphériques numériques. Voir « *Installation d'une carte Memory Stick ou SD* » en page 80.

Pavé tactile TouchPad

Le pavé tactile Touchpad est une commande semblable à une souris, comprenant cinq boutons : deux boutons droits de type souris, deux boutons gauches de type souris et un bouton de défilement. Les boutons droit/gauche supérieurs sont destinés à une utilisation avec la commande de curseur Quick Point. Voir « *Pavé tactile TouchPad* » en page 32. Selon la configuration de votre système, il est possible que le bouton de défilement soit remplacé par un capteur d'empreintes digitales. Voir « *Annexe B : Capteur d'empreintes digitales* » en page 192.

Commande de curseur Quick point

La commande optionnelle Quick Point vous offre une façon supplémentaire de déplacer le curseur. Voir « *Commande Quick Point en option* » en page 35.

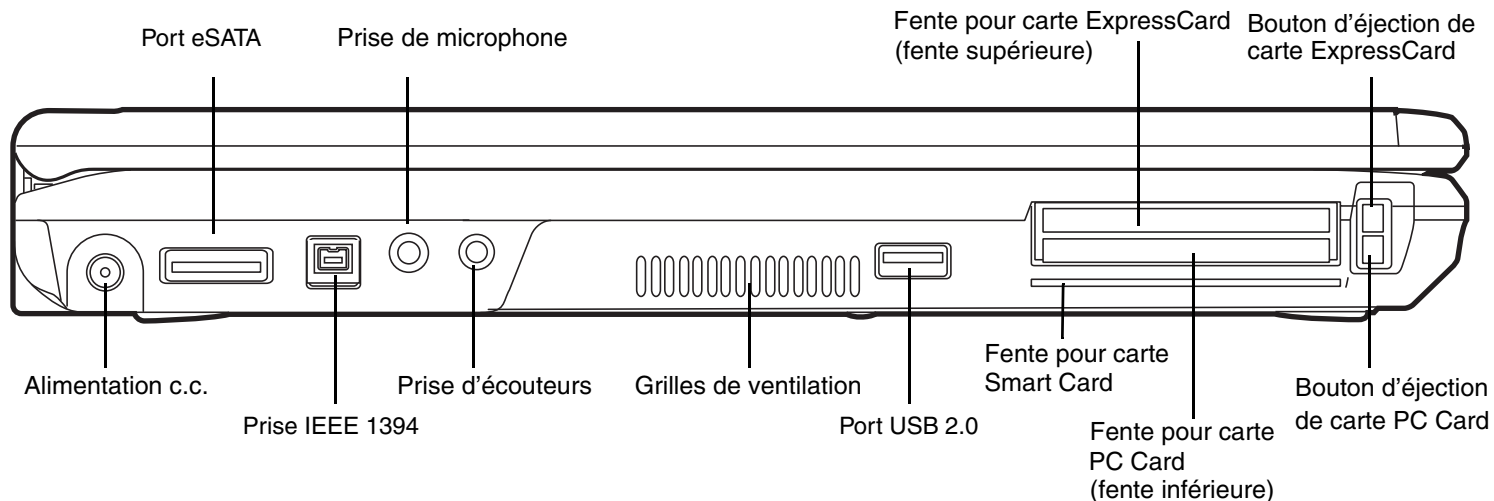


Figure 3. Côté gauche de l'ordinateur LifeBook

Composants sur le côté gauche de l'ordinateur

Voici une courte description des composants se trouvant sur le côté gauche de votre ordinateur LifeBook.

Port eSATA

Le port E-SATA (External Serial Advanced Technology Attachment) est la version externe du système SATA, lequel connecte votre ordinateur au disque dur. L'interface SATA est beaucoup plus rapide que les interfaces IDE (six fois plus rapide que les USB 2.0). Le porte E-SATA est idéal pour la sauvegarde de fichiers volumineux sur un disque dur externe. Voir « *e-SATA Port* » en page 95.

Prise de micro

La prise de microphone vous permet de connecter un microphone mono externe. Voir « *Prise de micro* » en page 100.

Fente pour carte ExpressCard

Permet d'installer une carte ExpressCard. Voir « *Cartes PC Card/ExpressCard™* » en page 81.

Bouton d'éjection de carte ExpressCard

Le bouton d'éjection de carte ExpressCard permet de retirer une carte ExpressCard de la fente correspondante.

Fente pour carte PC Card

La fente pour carte PC Card prend les cartes de Type I ou de Type II : Voir « *Cartes PC Card/ExpressCard™* » en page 81.

Bouton d'éjection de carte PC Card

Le bouton d'éjection de carte PC Card permet de retirer une carte PC Card se trouvant dans la fente correspondante.

Fente pour carte Smart Card

Votre LifeBook est doté d'un lecteur de cartes intelligentes, aussi appelées cartes à puce ou Smart Card. Ces cartes ressemblent à des cartes de crédit mais elles contiennent une puce électronique. Voir « *Lecteur de carte Smart Card (Carte intelligente)* » en page 86. Pour pouvoir utiliser le lecteur de carte à puce, vous devez acquérir un logiciel tiers qui n'est pas fourni.

Ports USB 2.0

Les ports USB 2.0 vous permettent de connecter des périphériques USB. La norme USB 2.0 transfère des données à un débit théorique de 480 Mbit/s. Elle est rétrocompatible avec les périphériques USB 1.1 dont le débit atteint 12 Mbit/s. Voir « *Ports USB* » en page 97.

Grilles de ventilation

Les grilles de ventilation aident à refroidir votre système et à éviter qu'il ne surchauffe.



POUR PROTÉGER VOTRE ORDINATEUR DES DOMMAGES ET OPTIMISER SES PERFORMANCES, **GARDEZ TOUJOURS LES GRILLES DE VENTILATION DÉGAGÉES, PROPRES ET SANS DÉBRIS**. IL EST POSSIBLE QUE VOUS DEVIEZ LES NETTOYER PÉRIODIQUEMENT, SELON L'ENVIRONNEMENT DANS LEQUEL VOUS UTILISEZ L'ORDINATEUR.

NE PLACEZ PAS L'ORDINATEUR DANS UN ENDROIT OÙ LES GRILLES DE VENTILATION POURRAIENT ÊTRE OBSTRUÉES, NOTAMMENT DANS UN PETIT ESPACE FERMÉ OU SUR UNE SURFACE MOLLE COMME UN LIT OU UN COUSSIN.

Prise d'écouteurs

La prise d'écouteurs vous permet de connecter des écouteurs. *Voir « Prise d'écouteurs » en page 100.*

Prise IEEE 1394 (4 broches)

La prise 1394 à 4 broches permet de relier votre ordinateur portable à un périphérique IEEE 1394, notamment un caméscope numérique. *Voir « Port IEEE 1394 » en page 99.*

Prise d'alimentation c.c.

La prise d'alimentation c.c. sert à brancher l'adaptateur secteur, lequel permet d'alimenter l'ordinateur LifeBook et de charger la batterie interne au lithium-ion.

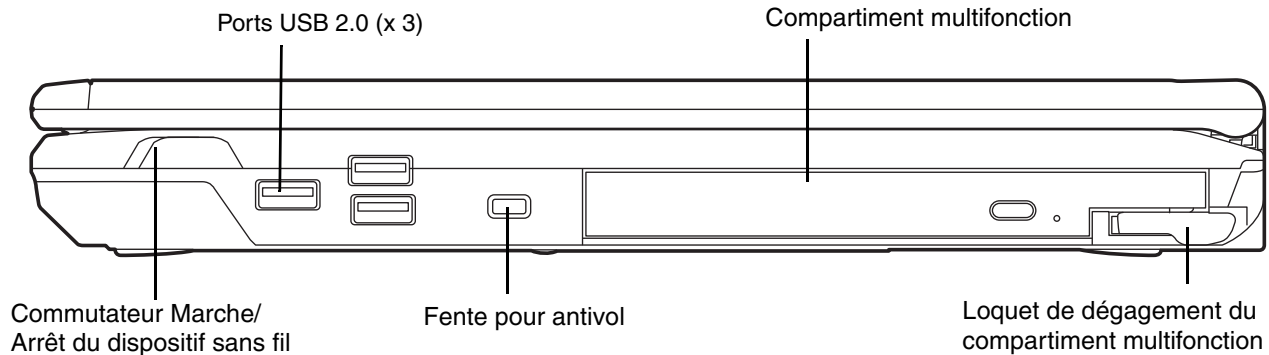


Figure 4. Côté droit de l'ordinateur LifeBook

Composants sur le côté droit de l'ordinateur

Voici une courte description des composants se trouvant sur le côté droit de votre ordinateur LifeBook.

Ports USB 2.0

Les ports USB 2.0 vous permettent de connecter des périphériques USB. Chaque port USB 2.0 permet de transférer des données à une vitesse atteignant 480 Mbit/s. Il est également rétrocompatible avec les périphériques USB 1.1, lesquels permettent des transferts de données à des vitesses atteignant 12 Mbit/s. Voir « Ports USB » en page 97.

Compartiment multifonction (baie modulaire)

Le compartiment multifonction peut accueillir l'un des périphériques suivants. Voir « Périphériques pour le compartiment multifonction » en page 37.

- Lecteur modulaire de DVD-ROM
- Lecteur modulaire mixte de DVD/CD-RW
- Lecteur modulaire Blu-ray® RW
- Batterie au lithium-ion modulaire

- Disque dur secondaire modulaire
- Volet réducteur de poids

Commutateur Marche/Arrêt du dispositif sans fil

Ce commutateur permet de mettre sous et hors tension les dispositifs de réseau sans fil, Bluetooth et WUSB en option. Pour prolonger la longévité de la batterie, éteignez ces périphériques entre les utilisations. Voir « Activation de la carte réseau sans fil » en page 182.

Fente pour dispositif antivol

La fente de dispositif antivol vous permet d'installer un dispositif antivol disponible en option.

Loquet de dégagement du compartiment multifonction

Permet de dégager le périphérique qui se trouve dans le compartiment multifonction.

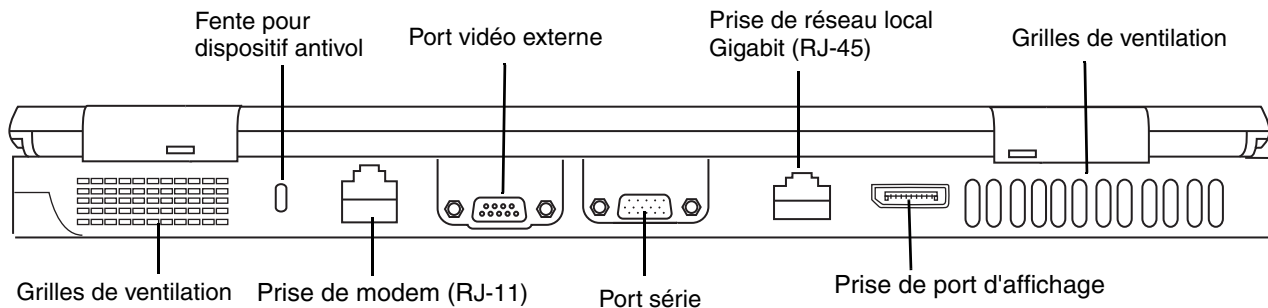


Figure 5. Face arrière de l'ordinateur portable LifeBook

Composants de la face arrière

Voici une courte description des composants se trouvant à l'arrière de votre ordinateur LifeBook.

Fente pour dispositif antivol

La fente de dispositif antivol vous permet d'installer un dispositif antivol disponible en option.

Port vidéo externe

Le port vidéo externe permet de connecter un moniteur externe ou un projecteur ACL. Voir « Port vidéo externe » en page 101.

Grilles de ventilation

Les grilles permettent à l'air de circuler dans le système afin de refroidir les composants.



POUR PROTÉGER VOTRE ORDINATEUR DES DOMMAGES ET OPTIMISER SES PERFORMANCES, **GARDEZ TOUJOURS LES GRILLES DE VENTILATION DÉGAGÉES, PROPRES ET SANS DÉBRIS**. IL EST POSSIBLE QUE VOUS DEVEZ LES NETTOYER PÉRIODIQUEMENT, SELON L'ENVIRONNEMENT DANS LEQUEL VOUS UTILISEZ L'ORDINATEUR.

NE PLACEZ PAS L'ORDINATEUR DANS UN ENDROIT OÙ LES GRILLES DE VENTILATION POURRAIENT ÊTRE OBSTRUÉES, NOTAMMENT DANS UN PETIT ESPACE FERMÉ OU SUR UNE SURFACE MOLLE COMME UN LIT OU UN COUSSIN.

Prise de réseau local Gigabit (RJ-45)

Cette prise est utilisée pour une connexion Gigabit Ethernet (10Base-T/100Base-Tx/1000Base-T) interne. Voir « Prise de réseau local (RJ-45) interne » en page 94.

Prise de modem/téléphone (RJ-11)

Modem (RJ-11) Telephone Jack

La prise de téléphone/modem (RJ-11) permet de connecter une ligne téléphonique au modem multinational interne de 56K. Voir « Prise de téléphone modem (RJ-11) » en page 92.



LE MODEM INTERNE N'EST PAS CONÇU POUR UNE UTILISATION AVEC UN AUTOCOMMUTATEUR NUMÉRIQUE. VOUS NE DEVEZ PAS CONNECTER LE MODEM INTERNE À UN AUTOCOMMUTATEUR NUMÉRIQUE CAR VOUS POURRIEZ ALORS CAUSER DES DOMMAGES GRAVES AU MODEM, VOIRE À VOTRE ORDINATEUR. POUR DE PLUS AMPLES INFORMATIONS, CONSULTEZ LA DOCUMENTATION DU FABRICANT DE L'AUTOCOMMUTATEUR. CERTAINS HÔTELS UTILISENT UN AUTOCOMMUTATEUR NUMÉRIQUE. N'oubliez pas de vérifier avant de connecter votre modem.



LE MODEM MULTINATIONAL INTERNE EST CONFORME À LA NORME ITU-T V.90/V.92. SON DÉBIT MAXIMAL DE 53 000 BITS/S EST LE PLUS ÉLEVÉ QU'AUTORISE LA FCC. LA VITESSE DE CONNEXION RÉELLE DÉPEND DE L'ÉTAT DES LIGNES. LE DÉBIT MAXIMAL EN VOIE MONTANTE EST DE 33 600 BIT/S, CONFORMÉMENT AUX RÈGLES DE LA FCC.

POUR DE PLUS AMPLES INFORMATIONS SUR LE MODEM, CONSULTEZ LE SITE INTERNET DE FUJITSU À : US.FUJITSU.COM/COMPUTERS.

Port série

Le port série permet de connecter des périphériques RS-232, notamment une imprimante série ou un scanner série. *Voir « Port série » en page 96.*

Prise de port d'affichage

Ceci vous permet de connecter un câble de port d'affichage. Les câbles de port d'affichage servent principalement à connecter un ordinateur à un moniteur ou à un dispositif de cinéma à domicile. *Voir « Port d'affichage » en page 95.*

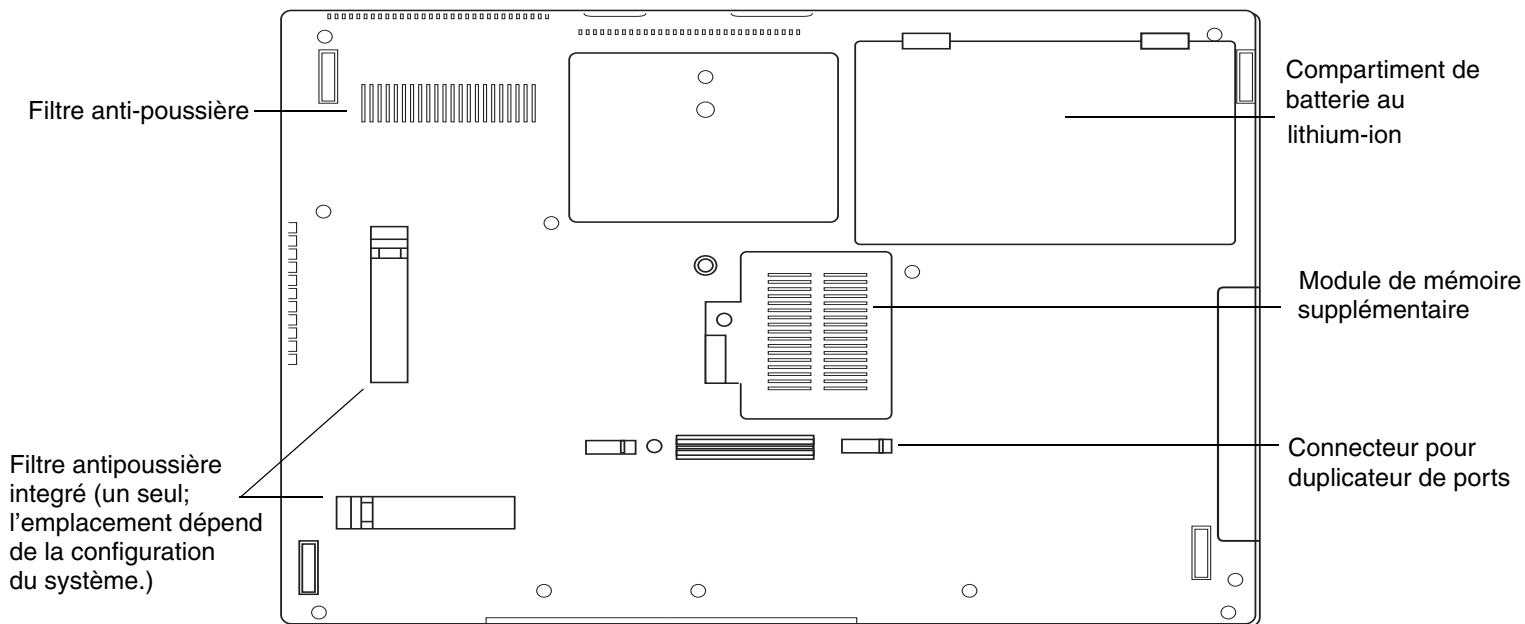


Figure 6. Dessous de l'ordinateur portable LifeBook

Composants sous l'ordinateur

Voici une courte description des composants se trouvant sous votre ordinateur LifeBook.

Compartiment de mémoire supplémentaire

Votre ordinateur est équipé en usine d'une mémoire vive synchrone dynamique de type 3 à double débit et à haute vitesse (SDRAM DDR3). Le compartiment de mémoire permet d'augmenter la capacité de mémoire système de votre ordinateur pour en améliorer les performances globales. *Voir « Module de mémoire additionnelle » en page 87.* Normalement, vous ne devriez pas avoir à ouvrir ce compartiment.

Compartiment de batterie au lithium-ion

Le compartiment de batterie contient la batterie interne au lithium-ion. Le couvercle de cette baie peut être ouvert pour enlever la batterie lorsque l'ordinateur doit être entreposé pendant une longue période ou pour remplacer une batterie à plat par une autre batterie chargée. Voir « *Batterie au lithium-ion* » en page 66.

Connecteur pour duplicateur de ports

Ce connecteur permet de brancher le duplicateur de ports en option sur votre ordinateur portable.

Filtre anti-poussière

Le filtre anti-poussière sert à protéger votre système contre les intrusions de poussières. Voir « *Nettoyage du couvercle du filtre anti-poussière* » en page 137.

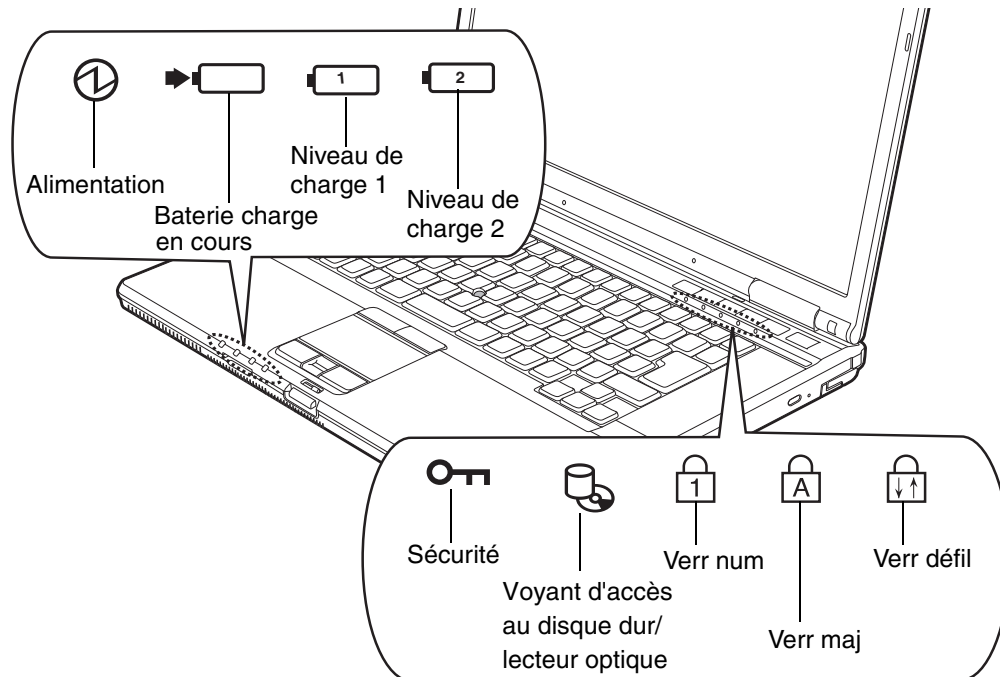


Figure 7. Tableau de voyants d'état

Tableau de voyants d'état

Le tableau de voyants d'état contient des symboles correspondant à divers composants de votre ordinateur LifeBook Fujitsu. Les diodes électroluminescentes (DEL) adjacentes à chaque symbole vous renseignent sur le fonctionnement des composants correspondants.

Voyant d'alimentation

Le voyant d'alimentation indique si le système est opérationnel. Ses différents états possibles indiquent le mode de fonctionnement actuel de l'ordinateur.

- **Allumé en continu** : l'ordinateur portable est sous tension et prêt à être utilisé.
- **Clignotant** : Ceci indique que l'ordinateur est en mode veille.
- **Éteint** : Le système est en mode "Enregistrement sur disque" ou éteint.

➡  **Voyant de charge des batteries**

Indique l'état de charge de la ou des batteries.

- **Orange continu** : La batterie est en cours de charge.
- **Vert continu** : La batterie est entièrement chargée.
- **Orange clignotant** : Le système attend de pouvoir charger la batterie (la batterie est en-dehors des températures de fonctionnement).
- **Éteint** : L'adaptateur secteur n'est pas branché.

 **1**  **2** **Voyant de niveau de charge**

Remarque : des voyants existent pour la batterie principale (Batterie 1) et pour la batterie secondaire (Batterie 2). Le voyant de niveau de charge de la batterie affiche le niveau de charge de la batterie comme suit :

- **Vert continu** : batterie chargée entre 51% et 100% de sa capacité maximale.
- **Orange continu** : batterie chargée entre 13% et 50% de sa capacité maximale.
- **Rouge continu** : batterie chargée à 12% ou moins de sa capacité maximale.
- **Orange clignotant** : Le clignotement indique qu'une mesure de chargement est en cours (quatre secondes après l'installation de la batterie).
- **Rouge clignotant** : Problème au niveau de la batterie.
- **Éteint** : Aucune batterie n'est installée.



- Lorsque la batterie est installée et que l'ordinateur n'est pas sous tension, le voyant de charge de la pile s'affichera cinq secondes après le clignotement orange.
- Lorsque l'adaptateur secteur n'est pas branché ou que la batterie n'est pas complètement chargée et que l'ordinateur se trouve en mode veille, le voyant clignote. Il clignote en s'allumant une seconde toutes les six secondes.



- Les batteries soumises aux chocs, aux vibrations ou aux températures extrêmes risquent de subir des dégâts permanents.
- Si une batterie est court-circuitée, elle est forcément abîmée et doit être remplacée.

Voyant de sécurité

Si un mot de passe a été défini, ce voyant clignote lorsque le système est réactivé à partir de l'état Hors tension ou du mode Sommeil. Vous devez entrer le mot de passe défini dans le « Tableau de sécurité » pour que le système redevienne opérationnel.



Voyant d'accès au disque dur/lecteur optique

Le voyant vert d'accès au disque dur/lecteur optique révèle si le disque dur interne est en cours d'utilisation. Remarque : Le clignotement est normal.



Voyant de verrouillage du pavé numérique (Verr num)

Le voyant Verr num indique que le clavier intégré est en mode pavé numérique à dix touches.



Voyant verrouillage des majuscules (Verr maj)

Le voyant Verr maj indique que le clavier est verrouillé pour que tous les caractères s'affichent en majuscules.



Voyant de verrouillage du défilement (Verr défil)

Le voyant Verr défil indique si le verrouillage du défilement est actif.

Clavier

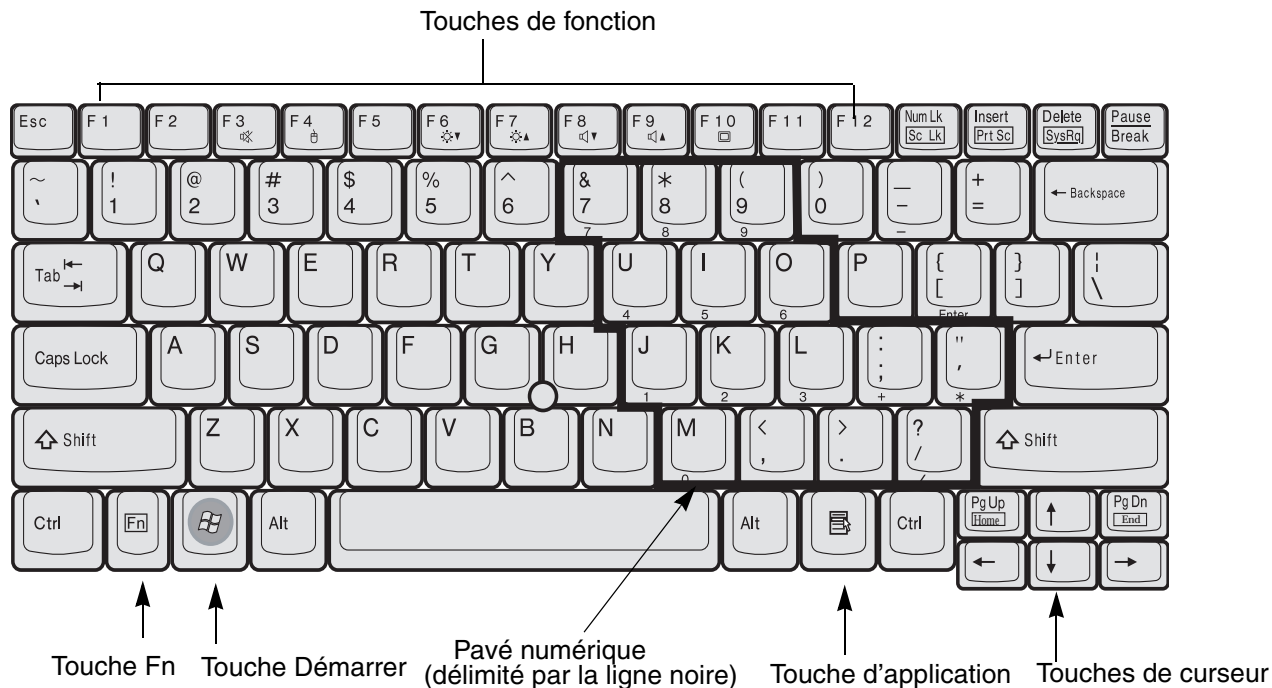


Figure 8. Clavier

Utilisation du clavier

Votre ordinateur portable Fujitsu LifeBook est doté d'un clavier à 84 touches. Ce clavier exécute toutes les fonctions d'un clavier à 101 touches, y compris les touches Windows et diverses touches de fonction spéciales. Cette section décrit les touches suivantes.

- **Pavé numérique** : Certaines touches de votre ordinateur portable remplissent une double fonction, servant à la fois de caractère standard et de touche numérique ou mathématique. Pour passer du caractère standard à la fonction numérique, utilisez la touche [Verr num].

- **Touches de curseur** : Votre clavier contient quatre touches fléchées permettant de déplacer le curseur ou le point d'insertion vers la droite, vers la gauche, vers le haut ou vers le bas, dans les fenêtres, dans les applications et dans les documents.
- **Touches de fonction** : Les touches [F1] à [F12] s'utilisent avec la touche [Fn] pour exécuter des actions spéciales, selon le programme en cours d'utilisation.
- **Touches Windows** : Ces touches fonctionnent de concert avec votre système d'exploitation Windows et produisent le même résultat que si vous cliquez sur le menu Démarrer à l'écran ou avec le bouton droit de votre pointeur.

Pavé numérique

Certaines touches du clavier remplissent une double fonction en servant de touche standard et de touche numérique. Pour utiliser la fonction numérique de ces touches, appuyez sur [Verr num]. Pour désactiver la fonction numérique, appuyez de nouveau sur la même touche. Lorsque cette fonction est activée, vous pouvez saisir des chiffres de 0 à 9, exécuter des additions (+), des soustractions (-), des multiplications (*) et des divisions (/), ainsi que saisir des décimales (,) en vous servant des touches de fonction désignées du pavé numérique. Les fonctions secondaires des touches du pavé numérique sont indiquées sur leur face avant.

Touches Windows

Votre ordinateur portable LifeBook comporte deux touches Windows, soit une touche [Démarrer] et une touche [Application]. La touche [Démarrer] affiche le menu Démarrer. Ce bouton fonctionne un peu comme le bouton de menu Démarrer de votre écran. La touche [Application] fonctionne comme le bouton droit de votre souris et affiche un menu de raccourcis s'appliquant à l'élément sélectionné (pour de plus amples informations concernant les touches Windows, veuillez consulter votre documentation Windows).

Touches de curseur

Les touches de curseur sont les quatre touches fléchées qui permettent de déplacer le curseur vers le haut, vers le bas, vers la gauche et vers la droite dans les applications. Dans les programmes tels que l'Explorateur Windows, elles servent à déplacer la « mise en évidence » (sélectionne l'élément suivant en haut, en bas, à gauche ou à droite).

Touches de fonction

Votre ordinateur LifeBook comporte 12 touches de fonction, [F1] à [F12]. Les fonctions affectées à ces touches varient selon l'application. Pour les connaître, consultez la documentation du logiciel utilisé.

- La touche [Fn] permet d'accéder à des fonctions supplémentaires de votre ordinateur portable. Elle est toujours utilisée conjointement avec une autre touche.
- [Fn+F3] : Maintenez [Fn] enfoncée et appuyez sur [F3] pour activer ou désactiver la fonction Silence.
- [Fn+F4] : Maintenez la touche [Fn] enfoncée et appuyez sur [F4] pour activer ou désactiver la fonction Quick Point. Veuillez prendre note que la combinaison de touches [Fn+F4] fonctionne uniquement lorsque le paramètre Manual Setting (Configuration manuelle) est sélectionné dans le BIOS. (Voir « Utilitaire de configuration du BIOS » en page 55.)
- [Fn+F6] : Gardez la touche [Fn] enfoncée et appuyez plusieurs fois sur [F6] pour diminuer la luminosité de l'écran.
- [Fn+F7] : Gardez la touche [Fn] enfoncée et appuyez plusieurs fois sur [F7] pour augmenter la luminosité de l'écran.
- [Fn+F8] : Gardez la touche [Fn] enfoncée et appuyez plusieurs fois sur [F8] pour diminuer le volume de l'ordinateur.
- [Fn+F9] : Gardez la touche [Fn] enfoncée et appuyez plusieurs fois sur [F9] pour augmenter le volume.
- [Fn+F10] : Gardez la touche [Fn] enfoncée et appuyez sur [F10] pour changer l'emplacement de l'affichage vidéo. Chaque fois que vous appuyez sur cette combinaison de touches, vous passez au choix suivant. Les choix disponibles sont, dans l'ordre : écran intégré uniquement, moniteur externe uniquement et écran intégré plus moniteur externe.

Pavé tactile TouchPad

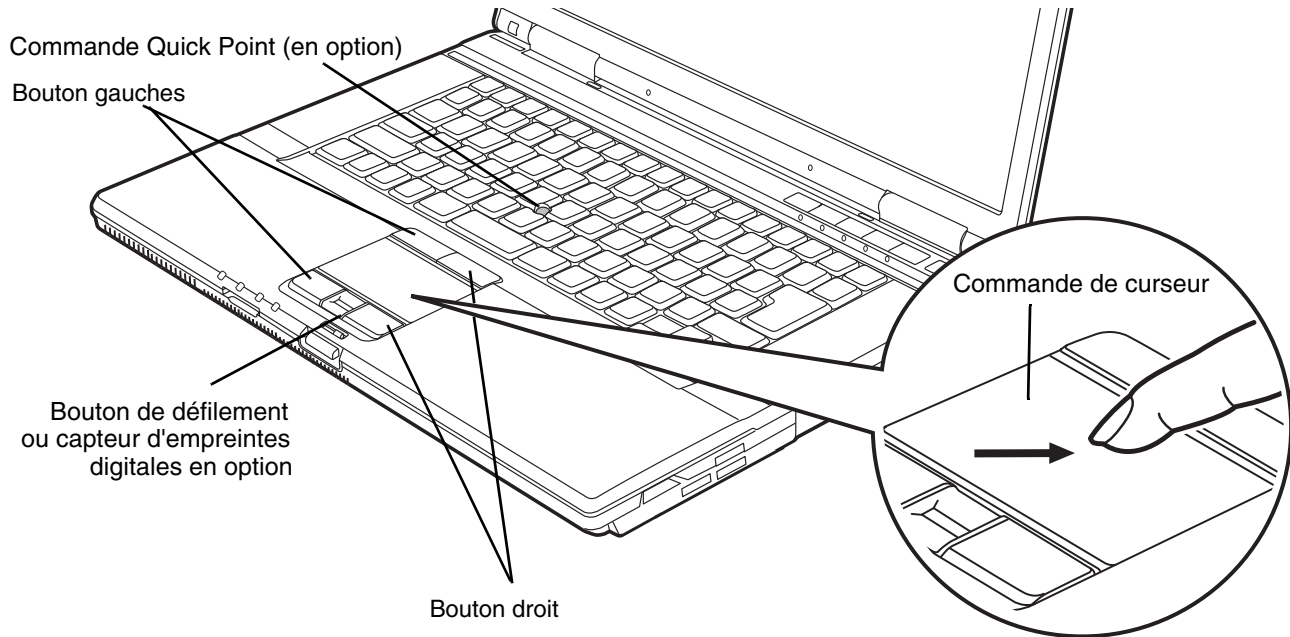


Figure 9. Pavé tactile TouchPad

Votre ordinateur portable LifeBook possède un pavé tactile TouchPad intégré. Ce dispositif permet de commander le déplacement du pointeur et de sélectionner des éléments affichés à l'écran. Le TouchPad comprend une commande de curseur, deux boutons gauches, deux boutons droits et un bouton de défilement.

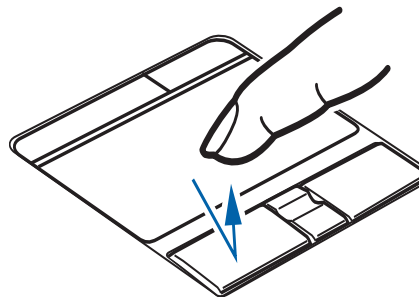
La commande de curseur fonctionne de la même façon qu'une souris, pour faire déplacer le curseur à l'écran. Elle fonctionne avec une légère pression du bout du doigt. Les boutons gauche/droit fonctionnent comme les boutons d'une souris. Les boutons gauche et droit situés en haut du TouchPad sont destinés à la commande Quick Point en option et fonctionnent comme ceux du bas. La fonction exacte des boutons peut varier selon l'application utilisée. Le bouton de défilement vous permet de naviguer rapidement sur plusieurs pages, sans devoir utiliser les barres de défilement.



- CERTAINS ORDINATEURS LIFEBOOK E780 SONT DOTÉS D'UN BOUTON QUICK POINT EN OPTION PERMETTANT DE CONTRÔLER LE CURSEUR. POUR PLUS D'INFORMATIONS, VOIR « *COMMANDE QUICK POINT EN OPTION* » EN PAGE 35.
- LE BOUTON DE DÉFILEMENT PEUT ÊTRE REMPLACÉ PAR UN CAPTEUR D'EMPREINTES DIGITALES EN OPTION. POUR OBTENIR DES RENSEIGNEMENTS SUR L'UTILISATION DE CE CAPTEUR EN OPTION, REPORTEZ-VOUS À « *ANNEXE B : CAPTEUR D'EMPREINTES DIGITALES* » EN PAGE 192.
- UNE SOURIS EXTERNE PEUT ÊTRE CONNECTÉE AUX PORTS USB OU PS/2 DE VOTRE ORDINATEUR LIFEBOOK (OU SUR LE DUPLICATEUR DE PORTS DISPONIBLE EN OPTION), LAQUELLE PEUT ENSUITE ÊTRE UTILISÉE SIMULTANÉMENT AVEC LE PAVÉ TACTILE TOUCHPAD. CEPENDANT, SI VOUS DÉMARREZ VOTRE ORDINATEUR AVEC UNE SOURIS EXTERNE DÉJÀ CONNECTÉE, LE PAVÉ TACTILE TOUCHPAD SERA PAR DÉFAUT ACTIVÉ OU DÉSACTIVÉ SELON LES PARAMÈTRES DE VOTRE BIOS. Voir « *Utilitaire de configuration du BIOS* » en page 55.

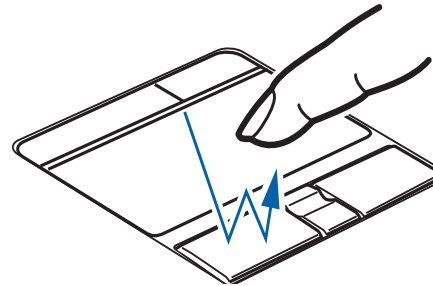
Cliquer

Cliquer signifie enfoncer et relâcher un bouton. Pour cliquer à gauche, placez le curseur sur l'élément que vous désirez sélectionner, puis enfoncez et relâchez immédiatement le bouton gauche. Pour cliquer à droite, placez le curseur sur l'élément que vous désirez sélectionner, puis enfoncez et relâchez immédiatement le bouton droit. Vous pouvez également cliquer en frappant une fois le pavé tactile avec délicatesse.



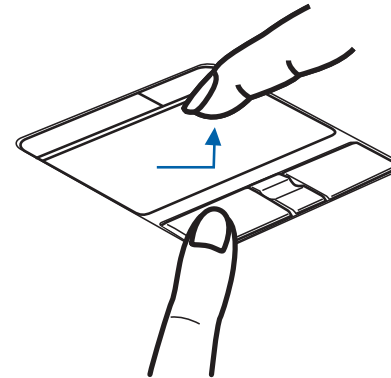
Double-cliquer

Double-cliquer signifie cliquer rapidement, deux fois de suite, avec le bouton gauche. Cette procédure ne fonctionne pas avec le bouton droit. Pour effectuer un double-clic, placez le pointeur sur l'objet voulu et appuyez rapidement deux fois sur le bouton gauche. Vous pouvez également effectuer un double-clic en tapant deux fois légèrement sur le TouchPad.



Glisser

Glisser signifie enfoncer le bouton gauche, sans le relâcher, en déplaçant le curseur. Pour faire glisser un élément, placez d'abord le curseur sur cet élément. Ensuite, enfoncez et tenez le bouton gauche tout en déplaçant l'élément à son nouvel emplacement, puis relâchez. Vous pouvez également glisser un élément avec le pavé tactile TouchPad. Premièrement, placez le curseur sur l'élément que vous désirez déplacer et frappez légèrement le pavé tactile TouchPad à deux reprises en faisant attention de laisser le doigt sur le pavé après la dernière frappe. Ensuite, glissez votre doigt sur le pavé tactile jusqu'à ce que l'élément soit à l'emplacement désiré et retirez votre doigt.



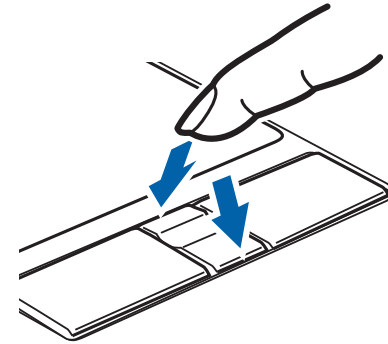
Réglage des commandes du pavé tactile TouchPad

Le panneau de configuration Windows vous permet de personnaliser votre pavé tactile TouchPad avec divers paramètres disponibles dans la boîte de dialogue Propriétés de la souris.

Défiler

Le bouton de défilement permet de parcourir rapidement des pages sans avoir à utiliser les barres de défilement de la fenêtre. Cette fonction est particulièrement utile lorsque vous naviguez sur des sites Internet. Pour utiliser le bouton de défilement, appuyez sur le croissant en haut ou en bas du bouton et vous verrez la page défiler vers le haut ou vers le bas, selon le cas. Relâchez le bouton lorsque vous avez atteint les informations qui vous intéressent.

Si votre système est doté du capteur d'empreintes digitales en option, vous pouvez utiliser ce dernier pour faire défiler des pages en y faisant glisser votre doigt vers le haut ou vers le bas. Voir « Annexe B : Capteur d'empreintes digitales » en page 192.



Commande Quick Point en option

Si ce dispositif en option est disponible sur votre ordinateur, le clavier comportera un bouton de commande de curseur en son centre, dans sa partie inférieure. Il est à peu près de la même taille et de la même forme que la gomme à effacer d'un crayon. La commande du curseur remplit les mêmes fonctions qu'une boule de souris et permet de déplacer le pointeur dans toutes les directions. Une légère pression du bout du doigt suffit pour déplacer le pointeur ; plus la pression exercée est importante, plus le pointeur se déplace vite.

Les boutons gauche et droit situés en haut du TouchPad sont destinés à la commande Quick Point en option et fonctionnent comme ceux du bas.

Utilisé conjointement avec le bouton Quick Point, le bouton central du pavé tactile permet de faire défiler l'écran vers le haut ou le bas.



Réglage du volume

Votre ordinateur LifeBook Fujitsu est doté de plusieurs commandes de volume fonctionnant en interaction.



LES APPLICATIONS POUVANT REPRODUIRE DES FICHIERS AUDIO PROPOSENT ÉGALEMENT LEUR PROPRE COMMANDE DE VOLUME (COMMANDE LOGICIELLE). SI VOUS INSTALLEZ UN PÉRIPHÉRIQUE AUDIO EXTERNE DOTÉ D'UNE COMMANDE DE VOLUME INDÉPENDANTE, LA COMMANDE DE VOLUME DE L'APPAREIL ET LA COMMANDE DE VOLUME LOGICIELLE FONCTIONNERONT EN INTERACTION. VOUS DEVEZ TOUTEFOIS SAVOIR QUE SI VOUS COUPEZ LE VOLUME AVEC LA COMMANDE LOGICIELLE, LA COMMANDE DE VOLUME EXTERNE SERA ÉGALEMENT DÉSACTIVÉE.

Réglage du volume

Le volume peut être réglé de plusieurs manières :

- Vous pouvez aussi ajuster et couper/remettre le volume avec l'icône de volume dans la zone de notification.
- Le volume peut également être réglé avec les touches de fonction [F8] et [F9]. Gardez la touche [Fn] enfoncée et appuyez plusieurs fois sur [F8] pour réduire le volume sonore de l'ordinateur. Gardez la touche [Fn] enfoncée et appuyez plusieurs fois sur [F9] pour augmenter le volume sonore de l'ordinateur.
- Gardez la touche [Fn] enfoncée et appuyez sur la touche [F3] pour couper le son. Pour rétablir le son, appuyez de nouveau sur [Fn+F3].
- Le volume peut aussi être réglé avec les commandes de volume proposées par diverses applications.
- Certains périphériques audio pouvant être connectés à votre système sont dotés de commandes de volume.

Chaque commande de volume ci-dessus impose une limite supérieure s'appliquant aux autres commandes.

Nous vous recommandons d'essayer les différentes commandes pour découvrir le réglage vous convenant le mieux.

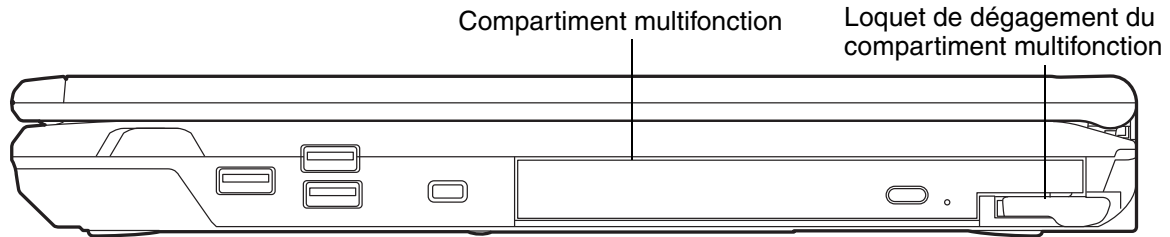


Figure 10. Compartiment multifonction (baie modulaire)

Périphériques pour le compartiment multifonction

Votre ordinateur portable Fujitsu LifeBook est doté d'un compartiment multifonction (ou baie modulaire). Cette baie peut recevoir un lecteur optique, une batterie au lithium-ion, un disque dur secondaire modulaire ainsi qu'un réducteur de poids.

L'un des périphériques indiqués ci-dessous sera installé dans le compartiment multifonction.

- Graveur de DVD multiformat double couche, modulaire : Ce lecteur vous permet de lire des films, des logiciels et des DVD/CD audio, ainsi que d'enregistrer des DVD, des CD et des DVD-RAM.
- Lecteur modulaire Blu-ray® RW : Ce lecteur vous permet de lire des films, des logiciels et des DVD/CD et disques Blu-ray audio, ainsi que d'enregistrer des CD.
- Lecteur modulaire de DVD-ROM : Permet d'accéder à des DVD et CD de logiciels, de données ou audio.
- Disque dur secondaire modulaire
- Batterie au lithium-ion modulaire : Cette batterie rechargeable peut être utilisée pour alimenter votre ordinateur LifeBook lorsqu'aucun adaptateur n'y est connecté.
- Volet réducteur de poids : Ce volet permet de remplir la baie lorsque vous n'y insérez aucun périphérique.

Retirer et installer des périphériques modulaires

Il y a deux façons de retirer et d'installer des dispositifs modulaires dans le compartiment multifonction :

- Installation hors tension : installation ou remplacement d'un périphérique lorsque votre ordinateur portable LifeBook est éteint.
- Installation sous tension : installation ou remplacement d'un périphérique lorsque le système fonctionne, grâce à l'icône « Déconnecter/Éjecter en toute sécurité » de votre zone de notification.

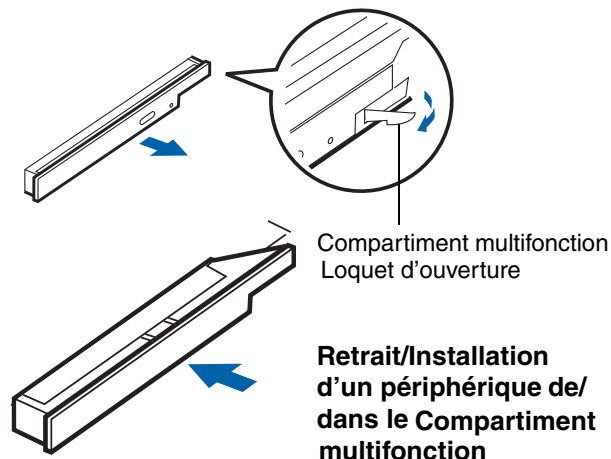


LE COMPARTIMENT MULTIFONCTION NE DOIT JAMAIS ÊTRE VIDE LORSQUE L'ORDINATEUR EST EN MARCHÉ. SI VOUS LA LAISSEZ VIDE, DE LA POUSSIÈRE ET DES CORPS ÉTRANGERS PEUVENT S'INFILTRER DANS L'ORDINATEUR.

Remplacement hors tension

Pour remplacer à froid un périphérique modulaire dans le compartiment multifonction, procédez comme suit :

- 1 Fermez tous les fichiers ouverts.
- 2 Éteignez votre ordinateur portable.
- 3 Tirez sur le loquet de dégagement du compartiment multifonction. Le périphérique installé sort légèrement, vous permettant de le saisir.
- 4 Retirez complètement le périphérique de la baie. Vous devrez utiliser une force légère.
- 5 Insérez le périphérique que vous désirez installer dans l'ordinateur jusqu'à ce qu'il s'enclenche.
- 6 Vous pouvez maintenant rallumer votre ordinateur en toute sécurité.
- 7 Vous pourrez ensuite accéder au périphérique et l'utiliser normalement.



Votre ordinateur LifeBook détectera automatiquement le nouveau périphérique et l'activera lors du démarrage du système. Une lettre de désignation du périphérique sera attribuée et visible dans le Poste de travail et l'Explorateur Windows.

Remplacement sous tension

Pour remplacer un périphérique à chaud, employez l'utilitaire « Déconnecter ou éjecter un périphérique en toute sécurité ». L'icône de cet utilitaire est disponible dans la zone de notification. Cliquez sur l'icône et suivez les instructions s'affichant à l'écran.

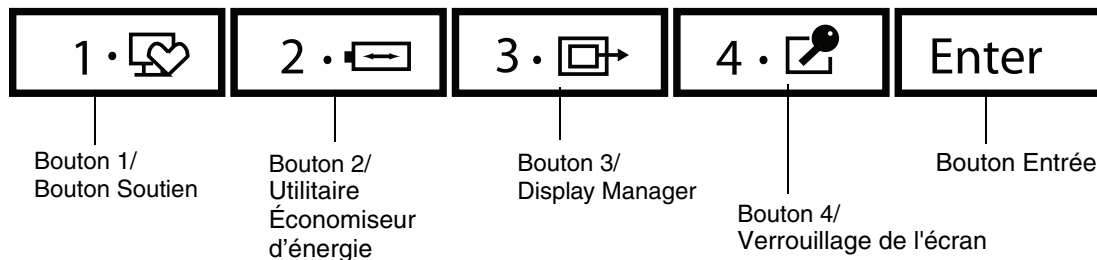


Figure 11. Tableau de sécurité et d'applications LifeBook

Tableau de sécurité et d'applications LifeBook

Fonction unique aux portables LifeBook, le tableau de sécurité et d'applications vous permet de protéger l'ordinateur contre une utilisation non autorisée. Il vous permet également de lancer des applications au toucher d'un bouton lorsque le système est en marche.

Si le système de sécurité est activé, il exige, au démarrage ou à la reprise de l'ordinateur, l'entrée d'un mot de passe à l'aide des boutons du tableau de sécurité et d'application. Après l'entrée d'un mot de passe valide, le système reprend son fonctionnement.

Configuration de votre tableau de sécurité LifeBook

Lorsque vous recevez votre portable LifeBook, l'application du tableau de sécurité est préinstallée, mais sans aucun mot de passe défini. Les rubriques suivantes décrivent en détail le tableau de sécurité et la façon de configurer, de changer ou de supprimer des mots de passe.

Boutons numérotés

Utilisez ces boutons pour entrer votre mot de passe.

Bouton Entrée

Après avoir entré les codes numérotés, appuyez sur ce bouton pour enregistrer le mot de passe dans l'ordinateur LifeBook.

Mots de passe

Des mots de passe d'utilisateur et de superviseur peuvent être définis sur l'ordinateur. Afin de faciliter la gestion des systèmes, le mot de passe de superviseur est habituellement le même sur tous les portables LifeBook d'un groupe de travail, d'un bureau ou d'une entreprise. Toutefois, les portables LifeBook individuels utilisés dans un environnement de groupe ne devraient pas utiliser un mot de passe commun. Un mot de passe comprend de un à cinq caractères, suivis de la touche [Entrée]. Une frappe valide peut faire intervenir un seul bouton ou jusqu'à quatre boutons simultanément. Voici des exemples de frappes valides :

- Bouton [4] enfoncé seul
- Boutons [2] et [3] enfoncés en même temps
- Boutons [1], [2] et [4] enfoncés en même temps
- Boutons [1], [2], [3] et [4] enfoncés en même temps

Voici maintenant des mots de passe valides. Les codes entre accolades ({ }) font intervenir plus d'un bouton.

- {[2]+[3]}, [1], [Entrée]
- [4], [Entrée]
- {[1]+[3]}, {[2]+[3]+[4]}, [1], [4], [2], [Entrée]

Définition des mots de passe

Lorsque le portable est expédié de l'usine, aucun mot de passe n'est défini. Vous avez le choix de le laisser tel quel ou de définir un mot de passe de superviseur et d'utilisateur. Vous devez définir le mot de passe de superviseur avant celui de l'utilisateur.



LE MOT DE PASSE DU SUPERVISEUR PERMET DE CONTOURNER LE MOT DE PASSE D'UTILISATEUR AU CAS OÙ CE DERNIER SERAIT OUBLIÉ. UTILISÉ SEUL, LE MOT DE PASSE DE SUPERVISEUR NE VERROUILLE PAS LE SYSTÈME. LES DEUX MOTS DE PASSE (SUPERVISEUR ET UTILISATEUR) DOIVENT ÊTRE DÉFINIS POUR QUE LE TABLEAU DE SÉCURITÉ FONCTIONNE.

Définition du mot de passe de superviseur

Vous devez détenir un mot de passe de superviseur avant de paramétrer tout mot de passe d'utilisateur. Le mot de passe de superviseur permet de contourner le mot de passe d'utilisateur. Selon la configuration de votre système, appliquez la procédure qui convient :

- 1 Allez au menu Démarrer.
- 2 Sélectionnez Tous les programmes.
- 3 Sélectionnez Accessoires, puis [Exécuter].
- 4 Entrez :
C:\Program Files\Fujitsu\Security Panel Application\Supervisor\FJSECS.EXE,
puis appuyez sur [Entrée].
- 5 Suivez les instructions affichées à l'écran pour définir le mot de passe de superviseur.

Définition du mot de passe d'utilisateur

- 1 Allez au menu Démarrer.
- 2 Sélectionnez Tous les programmes.
- 3 Cliquez sur Application Tableau de sécurité, puis sur [Définir le mot de passe d'utilisateur].
- 4 Suivez les instructions pour définir le mot de passe d'utilisateur.



VOUS POUVEZ CHANGER OU SUPPRIMER LE MOT DE PASSE DE SUPERVISEUR OU D'UTILISATEUR EN RÉPÉTANT LES ÉTAPES PRÉCÉDENTES.

Utilisation du tableau de sécurité et d'applications de votre LifeBook

La fonction de verrouillage de sécurité est activée à la mise hors tension du système, de même qu'à sa reprise depuis le mode veille. Vous devrez entrer le mot de passe juste après avoir appuyé sur le bouton de veille/reprise. Votre système ne s'amorcera pas ou ne reprendra pas à partir du mode sommeil si vous n'entrez pas le mot de passe de superviseur/d'utilisateur.

Lorsque le système est hors tension

- 1 Mettez le système sous tension.
- 2 Lorsque l'indicateur de sécurité clignote, entrez le mot de passe, puis appuyez sur le bouton [Entrée]. Par exemple, si le mot de passe est 22222, appuyez cinq fois sur le bouton [2], puis appuyez sur le bouton [Entrée].
- 3 L'ordinateur démarrera normalement.

Lorsque le système est en mode de veille

- 1 Appuyez sur le bouton d'alimentation/veille/reprise.
- 2 Lorsque l'indicateur de sécurité clignote, entrez le mot de passe, puis appuyez sur le bouton [Entrée].
- 3 Le portable devrait reprendre son fonctionnement normal.

Entrée d'un mot de passe incorrect

Après trois échecs successifs d'entrée d'un mot de passe de superviseur ou d'utilisateur, le système émet des bips pendant environ une minute. Si le mot de passe entré durant cet intervalle (pendant les bips) est valide, le signal sonore s'arrête et le portable reprend son fonctionnement normal. Sinon, le système retourne à son état précédent (mode veille ou hors tension) et l'indicateur de sécurité s'éteint. Pour réactiver l'ordinateur après un échec de la saisie du mot de passe, vous devez appuyer sur le bouton d'alimentation/veille/reprise, puis entrer un mot de passe valide.



N'OUBLIEZ PAS LE MOT DE PASSE D'UTILISATEUR DÉFINI DANS L'APPLICATION TABLEAU DE SÉCURITÉ. SINON, VOUS NE POURREZ PLUS UTILISER L'ORDINATEUR. LE MOT DE PASSE DE SUPERVISEUR PERMET TOUTEFOIS DE CONTOURNER LE MOT DE PASSE D'UTILISATEUR.

Mises en garde

Ouverture et fermeture du couvercle de l'écran

Lorsque le couvercle est fermé, l'ordinateur portable se place automatiquement en mode veille. L'ouverture du couvercle ne met pas automatiquement le portable en mode de fonctionnement normal. C'est pourquoi vous devez entrer le mot de passe de sécurité après avoir enfoncé le bouton d'alimentation/veille/reprise. Ce paramètre peut être modifié dans la partie Options d'alimentation du Panneau de configuration.

Fonctionnement avec une batterie faible

Si la batterie de votre ordinateur LifeBook est faible, le fait d'enfoncer le bouton d'alimentation/veille/reprise active simplement l'indicateur de sécurité. Votre portable ne se déverrouille pas et le voyant de sécurité s'éteint après une minute. Pour revenir au fonctionnement normal, branchez d'abord une source d'alimentation au portable. Vous pouvez alors le déverrouiller.

Désinstallation de l'application Tableau de sécurité

Deux méthodes peuvent être utilisées pour désinstaller l'application Tableau de sécurité :

- Désinstaller l'application Tableau de sécurité. Cette méthode désactive toutes les fonctions de sécurité.
- Désinstaller l'application Tableau de sécurité avec le mot de passe toujours actif. Si cette option est choisie, plus aucune modification du mot de passe ne sera possible.

Désinstallation de l'application Tableau de sécurité

Cette opération est utile lorsque l'utilisateur ne veut aucune protection par mot de passe et ne veut donner à personne l'utilitaire de définition de mot de passe sur son ordinateur. Dans ce cas, si des mots de passe (superviseur, utilisateur ou les deux) sont définis, les mots de passe doivent être effacés AVANT de supprimer l'application. Pour effacer les mots de passe, suivez la même procédure qu'à la section « Définition des mots de passe », mais sélectionnez cette fois l'option [Supprimer] ; ensuite, entrez le mot de passe actuel, puis cliquez sur le bouton [Suivant]. Répondez [Oui] à la demande de confirmation.

Suppression de l'application Tableau de sécurité avec des mots de passe encore actifs

L'utilisation de cette fonction ne permettra aucune modification du mot de passe. Selon la configuration de votre système d'exploitation, les procédures peuvent être légèrement différentes, comme décrit ci-dessous :



LA SUPPRESSION DES APPLICATIONS NE SUPPRIME PAS LE MOT DE PASSE. CETTE OPÉRATION SUPPRIME SIMPLEMENT LA CAPACITÉ DE MODIFIER, D'AJOUTER ET DE SUPPRIMER DES MOTS DE PASSE. POUR CHANGER VOTRE MOT DE PASSE, VOUS DEVREZ RÉINSTALLER L'APPLICATION.

Utilisateur :

- 1 Allez au menu **Démarrer**, cliquez sur **Panneau de configuration**.
- 2 Ouvrez **Ajouter/Supprimer des programmes** (Dans Vista : **Programmes et fonctions**).
- 3 Sélectionnez **Application Tableau de sécurité** (Dans Vista : **Tableau de sécurité**), puis cliquez sur **[Ajouter/Supprimer]**.
- 4 Dans la fenêtre de confirmation de suppression des fichiers, cliquez sur **[Oui]**.

Superviseur :

- 1 Allez au menu **Démarrer**, cliquez sur **Panneau de configuration**.
- 2 Exécutez l'une des procédures suivantes selon la configuration de votre système d'exploitation : Ouvrez **Ajouter/ou supprimer des propriétés de programme** dans le panneau de configuration, ou cliquez sur **Programmes > Désinstaller un programme** ou **Programmes et Fonctions**.
- 3 Sélectionnez **Application Tableau de sécurité pour Superviseur** (Dans Vista : **Tableau de sécurité**) dans la liste, puis cliquez sur **[Ajouter/Supprimer]**.
- 4 Dans la fenêtre de confirmation de suppression des fichiers, cliquez sur **[Oui]**.

Réinstallation du tableau de sécurité et d'applications

La réinstallation de l'application de sécurité du superviseur ou de l'utilisateur exige le disque de pilotes et d'applications. Le dossier **Utilitaires\Tableau de sécurité et d'applications** contient deux dossiers distincts : **Superviseur** et **Utilisateur**. Les fichiers de configuration des applications de sécurité du superviseur et de l'utilisateur y sont placés.

- 1 Sur le disque, ouvrez le dossier **Utilitaires/Tableau de sécurité et d'applications/Superviseur** et double-cliquez sur le fichier **setupS.exe**. (Dans Vista, suivez le chemin suivant : **Utilitaires/SAP/Vista/Superviseur/SetupS.exe**). La fenêtre d'installation du Tableau de sécurité s'affiche. Suivez les directives fournies à l'écran.
- 2 Sur le disque, ouvrez le dossier **Utilitaires/Tableau de sécurité et d'applications/Utilisateur** et double-cliquez sur le fichier **setup.exe**. (Dans Vista, suivez le chemin suivant : **Utilitaires/SAP/Vista/Setup.exe**) La fenêtre d'installation du Tableau de sécurité s'affiche. Suivez les directives fournies à l'écran.

Les mots de passe de superviseur et d'utilisateur peuvent être configurés par l'intermédiaire de Windows dans les fichiers FJSECS.exe et FJSECU.exe, respectivement. Le programme FJSECU.exe pour le mot de passe de l'utilisateur ne peut pas être exécuté si le mot de passe du superviseur n'est pas défini. Il vous faut exécuter FJSECS.exe en premier pour configurer le mot de passe du superviseur. Suivez les directives fournies sous « Définition des mots de passe » page 41.

Si vous oubliez les deux mots de passe, veuillez communiquer avec le service à la clientèle et d'assistance de Fujitsu America, Incorporated, au 1-800-8FUJITSU (1-800-838-5487). La société Fujitsu Computer Systems exige des frais de service pour le déverrouillage d'un portable LifeBook protégé par mot de passe. Au moment d'appeler, veuillez avoir sous la main une carte de crédit valide et une preuve de propriété. On vous indiquera ensuite où expédier votre ordinateur.

Lancement d'applications avec le Tableau de sécurité et d'applications

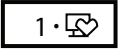
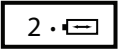
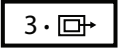

Le tableau de sécurité permet également de lancer des applications au toucher d'un bouton lorsque le système est en marche. Enfoncer n'importe lequel des boutons lancera l'application configurée par l'utilisateur ou une application prédéfinie. Les programmes utilitaires d'exploitation et de configuration du tableau de sécurité et d'applications sont préinstallés sur votre LifeBook. Ils se trouvent dans le menu Démarrer, sous **Paramètres > Panneau de configuration > Tableau d'applications** (ou « Boutons », pour Windows Vista et Windows 7). Ils comportent les onglets **Soutien, ECO, Présentation, et Verrouiller cet ordinateur**.

Configuration de votre tableau d'applications LifeBook

Lorsque vous démarrez Windows, le tableau d'applications LifeBook est automatiquement activé. Lorsqu'il est utilisé à titre de démarreur d'applications, le tableau d'applications LifeBook est d'une très grande souplesse, vous offrant un vaste choix d'options. L'utilitaire de configuration du tableau d'applications permet de configurer rapidement et aisément le tableau selon vos besoins, afin d'en tirer le maximum.

Pour configurer le tableau d'applications avec l'utilitaire Configuration du tableau d'applications, exécutez les opérations suivantes :

- 1 Cliquez sur [Démarrer] > Paramètres > Panneau de configuration > Tableau d'applications (ou « Boutons », pour Windows Vista).
- 2 L'utilitaire Configuration du tableau d'applications (ou Paramètres des boutons dans Windows Vista) apparaît. Vous voyez apparaître des onglets correspondant aux boutons du tableau d'applications LifeBook. Lorsque vous recevez votre ordinateur portable, ces boutons sont préalablement configurés pour ouvrir certaines applications comme suit :

Étiquette du bouton	Nom du bouton	Action par défaut
	Bouton 1 / Soutien	Lorsque vous appuyez sur ce bouton, il lance le Centre de soutien Fujitsu.
	Bouton 2 / ECO	Ce bouton vous permet d'accéder à l'utilitaire Économiseur d'énergie.
	Bouton 3 / Présentation	Ce bouton ouvre le gestionnaire d'affichage Fujitsu, qui vous permet d'alterner entre les différents paramètres d'affichage de votre ordinateur.
	Bouton 4 / Verrouiller cet ordinateur	Ce bouton permet de verrouiller automatiquement votre ordinateur.

Pour changer l'application associée à un bouton, cliquez sur l'onglet correspondant au bouton à reconfigurer – par exemple Soutien. Cliquez sur [Enregistrement de l'application...] à partir du menu Démarrer, cliquez sur l'application voulue dans la liste, puis sur [suivant]. Dans la fenêtre qui suit, vous pouvez demander au système d'émettre un son quand le programme sélectionné démarre. Cliquez sur [Suivant] puis sur [Terminer]. Le bouton est dorénavant configuré pour lancer la nouvelle application.

Quand vous en aurez terminé avec la configuration du tableau d'applications, cliquez sur [OK] pour que les nouveaux paramètres prennent effet. Vous pouvez reconfigurer votre tableau d'applications LifeBook aussi souvent que vous le désirez.

Activation et désactivation du tableau d'applications du LifeBook

Pour désactiver le Tableau d'applications LifeBook sur les systèmes Microsoft Windows XP, suivez ces étapes simples (Remarque : sur les systèmes Windows Vista, le Tableau d'applications est automatiquement activé) :

- 1** Cliquez sur **[Démarrer]**.
- 2** Cliquez sur **[Tous les programmes]**.
- 3** puis sur **[Tableau d'applications LifeBook]**.
- 4** Cliquez alors sur **[Arrêter le tableau d'applications]**.

Pour le réactivez, exécutez la même procédure, sauf qu'à l'étape 4 vous devez plutôt cliquer sur **[Redémarrer le tableau d'applications]**.



L'UTILITAIRE TABLEAU D'APPLICATIONS LIFEBOOK EST ACTIVÉ À CHAQUE DÉMARRAGE DE WINDOWS, MÊME SI VOUS L'AVEZ DÉACTIVÉ AVANT L'ARRÊT DU SYSTÈME.

Chapitre 2

Première mise en marche de votre ordinateur portable LifeBook

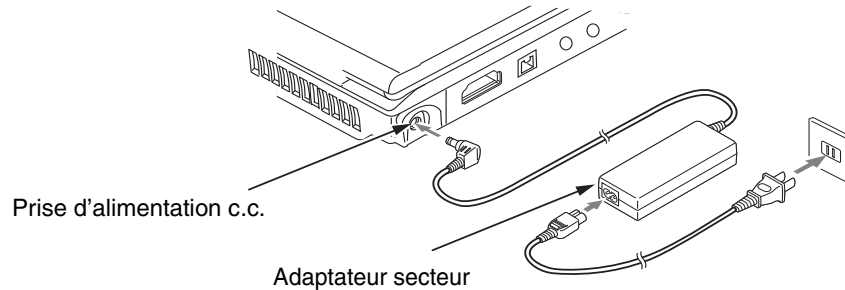


Figure 12. Connexion de l'adaptateur secteur

Sources d'alimentation

Votre ordinateur portable LifeBook Fujitsu peut utiliser trois sources d'alimentation différentes : une batterie au lithium-ion principale, un adaptateur secteur et un adaptateur auto/avion.

Connexion des adaptateurs d'alimentation

L'adaptateur secteur et l'adaptateur auto/avion disponible en option permettent tous deux de faire fonctionner votre ordinateur portable et de charger les batteries.

Connexion de l'adaptateur secteur

- 1 Branchez le câble de sortie c.c. dans la prise d'alimentation c.c. de votre ordinateur.
- 2 Branchez l'adaptateur secteur sur une prise électrique secteur (c.a.).

Connexion de l'adaptateur auto/avion disponible en option

- 1 Branchez le câble de sortie c.c. sur la prise d'alimentation c.c. de votre ordinateur portable.
- 2 Branchez l'adaptateur auto/avion sur une prise d'allume-cigarette d'un véhicule automobile et placez le contact d'allumage sur la position Marche ou Accessoires.
OU
- 3 Branchez l'adaptateur auto/avion sur la prise d'alimentation c.c. de votre siège d'avion.

Passer d'une alimentation sur adaptateur secteur ou auto/avion à une alimentation sur batterie

- 1 Assurez-vous qu'au moins une batterie chargée est installée dans votre ordinateur.
- 2 Débranchez l'adaptateur secteur ou l'adaptateur auto/avion.



LORSQUE VOUS RECEVEZ VOTRE NOUVEL ORDINATEUR, LA BATTERIE AU LITHIUM-ION N'EST PAS CHARGÉE. LORS DE LA PREMIÈRE UTILISATION DE VOTRE ORDINATEUR, VOUS DEVEZ CONNECTER L'ADAPTATEUR SECTEUR OU L'ADAPTATEUR AUTO/AVION.

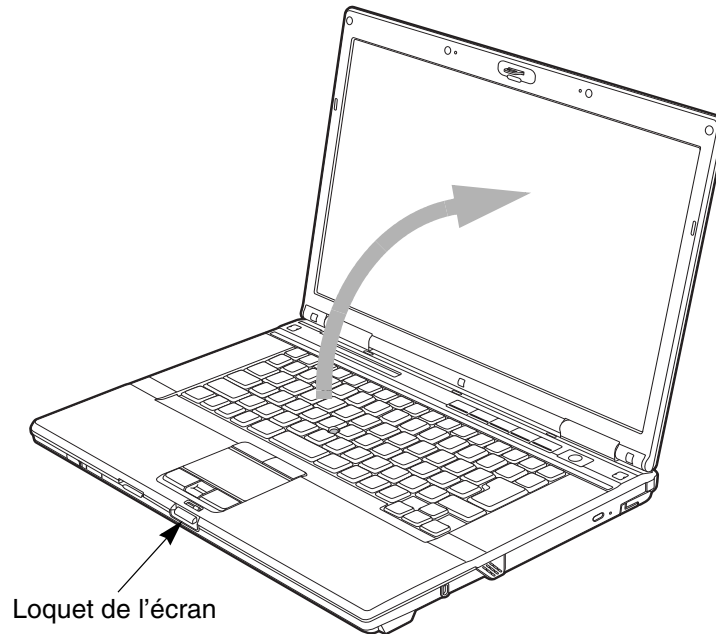


Figure 13. Ouverture de l'écran

Écran

Votre ordinateur portable LifeBook Fujitsu comporte un écran à rétro-éclairage permettant une lecture facile dans les environnements à forte luminosité. Cet écran offre également une excellente résolution grâce à une technologie de matrice active.

Ouverture de l'écran

- 1** Enfoncez le loquet de l'écran. Cette action libère le mécanisme de verrouillage et vous permet de soulever l'écran.
- 2** Soulevez l'écran et inclinez-le légèrement vers l'arrière jusqu'à une position confortable, en faisant attention de ne pas toucher à la surface d'affichage.

Réglage de la luminosité de l'écran

Lorsque vous avez allumé votre ordinateur portable, vous pouvez régler la luminosité de l'écran à un niveau plus confortable. Sur les systèmes Windows XP, la luminosité peut être réglée en utilisant le clavier. Sur les systèmes Windows Vista et Windows 7, il y a trois façons d'ajuster la luminosité : en utilisant le clavier, les Options d'alimentation ou le Centre de mobilité Windows.



REMARQUE : LORSQUE VOUS CHANGEZ LES PARAMÈTRES D’AFFICHAGE DANS WINDOWS XP, LA NOUVELLE CONFIGURATION EST CONSERVÉE APRÈS LA MISE EN VEILLE ET LE REDÉMARRAGE. DANS WINDOWS VISTA, LES NOUVEAUX PARAMÈTRES SONT TEMPORAIRES PAR DÉFAUT, MAIS VOUS POUVEZ LES RENDRE PERMANENTS SI VOUS UTILISEZ L’UTILITAIRE OPTIONS D’ALIMENTATION DU PANNEAU DE CONFIGURATION.

Utilisation du clavier

Lorsque vous réglez la luminosité avec le clavier, le réglage n'est valide que temporairement sous Windows Vista.

- [Fn+F6] : Appuyez plusieurs fois sur cette combinaison de touches pour diminuer la luminosité de votre écran.
- [Fn+F7] : Appuyez plusieurs fois sur cette combinaison de touches pour augmenter la luminosité de votre écran.

Utilisation des Options d'alimentation (Windows Vista/7)

Pour changer la luminosité avec cette option, ouvrez le Panneau de configuration et cliquez sur l'icône Options d'alimentation. Dans le panneau de gauche, sélectionnez « Ajuster la luminosité d'affichage », puis faites glisser les barres de luminosité jusqu'au niveau souhaité. Remarque : les paramètres que vous définissez avec cet utilitaire deviennent permanents jusqu'à ce que vous les changiez à nouveau.

Utilisation du Centre de mobilité Windows (Windows Vista/7)

Dans le Panneau de configuration, cliquez sur l'icône Centre de mobilité Windows. Faites glisser la barre de luminosité d'affichage jusqu'au niveau souhaité.

Utilisation de la Gestion de l'alimentation pour contrôler la luminosité de l'écran (Windows 7)

Cliquez sur Démarrer -> **Panneau de configuration**. Dans « **Affichage par :** », sélectionnez un des affichages par icônes. Sélectionnez **Écran** puis cliquez sur **Régler la luminosité** dans le panneau de gauche. Faites glisser la barre Luminosité de l'écran vers la gauche ou la droite selon vos préférences. Pour régler la luminosité avec l'utilitaire de gestion de l'alimentation sous Windows 7 :



LORSQUE VOUS EMPLOYEZ UNE ALIMENTATION SECTEUR, L'ÉCRAN UTILISE PAR DÉFAUT LE NIVEAU DE LUMINOSITÉ LE PLUS ÉLEVÉ. LORSQUE VOUS EMPLOYEZ UNE ALIMENTATION SUR BATTERIE, L'ÉCRAN UTILISE PAR DÉFAUT UN NIVEAU DE LUMINOSITÉ MOYEN.

PLUS LA LUMINOSITÉ EST ÉLEVÉE, PLUS L'ORDINATEUR CONSOMME D'ÉNERGIE ET PLUS LA LONGÉVITÉ DE VOTRE BATTERIE SERA RÉDUITE. SI VOUS DÉSIREZ MAXIMISER LA LONGÉVITÉ DE LA BATTERIE, RÉGLEZ LA LUMINOSITÉ AU PLUS BAS NIVEAU POSSIBLE.

Fermeture de l'écran

- 1 Saisissez le bord de votre écran et abaissez-le vers l'avant jusqu'à ce qu'il soit appuyé contre le boîtier principal de votre ordinateur LifeBook.
- 2 Appuyez jusqu'à ce que vous entendiez un clic. Le mécanisme de verrouillage devrait alors être enclenché, empêchant toute ouverture inopinée de l'écran.

Démarrage de votre ordinateur portable LifeBook

Mise sous tension

Bouton d'alimentation/veille/reprise

Lorsque votre ordinateur portable LifeBook est éteint, le bouton d'alimentation/veille/reprise permet de l'allumer. Pour allumer votre ordinateur portable LifeBook, vous devez avoir connecté votre adaptateur secteur ou disposer d'une batterie au lithium-ion chargée.



LORSQUE VOUS DÉSIREZ ALLUMER VOTRE ORDINATEUR LIFEBOOK, ASSUREZ-VOUS D'AVOIR UNE SOURCE D'ALIMENTATION ACTIVE. VOUS DEVEZ DONC AVOIR AU MOINS UNE BATTERIE INSTALLÉE ET CHARGÉE OU AVOIR BRANCHÉ L'ADAPTATEUR SECTEUR OU L'ADAPTATEUR AUTO/AVION À UNE PRISE SOUS TENSION.

Pour allumer l'ordinateur LifeBook lorsqu'il est complètement éteint, appuyez sur le bouton d'alimentation/veille/reprise situé en haut à droite du clavier. Lorsque vous avez terminé de travailler avec l'ordinateur, vous pouvez soit le laisser en mode sommeil (*Voir « Mode sommeil » en page 61.*), soit le mettre hors tension (*Voir « Mise hors tension » en page 64.*)



LORSQUE LE LIFEBOOK EST ALLUMÉ, NE LE TRANSPORTEZ PAS ET PROTÉGEZ-LE DES CHOCS ET DES VIBRATIONS CAR VOUS RISQUERIEZ ALORS DE L'ENDOMMAGER.

Lorsque vous allumez votre ordinateur LifeBook, ce dernier exécute un auto-test de mise sous tension pour vérifier les composants internes et la configuration. Si une anomalie est découverte, votre ordinateur LifeBook émet un avertissement audio et affiche un message d'erreur. *Voir « Messages de l'auto-diagnostic de mise sous tension » en page 120.* Selon la nature du problème, vous pourrez poursuivre le démarrage du système d'exploitation ou vous devrez ouvrir l'utilitaire de configuration du BIOS pour corriger certains paramètres. Une fois les diagnostics terminés, le LifeBook charge le système d'exploitation.



VOUS NE DEVEZ JAMAIS ÉTEINDRE VOTRE ORDINATEUR DURANT L'AUTO-DIAGNOSTIC DE MISE SOUS TENSION. AUTREMENT, LA PROCHAINE FOIS QUE VOUS ALLUMEREZ L'ORDINATEUR, CE DERNIER AFFICHERA UN MESSAGE D'ERREUR. Voir « Messages de l'auto-diagnostic de mise sous tension » en page 120.

Procédure d'amorçage

La procédure de démarrage de l'ordinateur invoque une procédure d'amorçage, laquelle fait d'abord appel au BIOS. La première fois que l'ordinateur LifeBook est allumé, la mémoire principale du système est vide et doit trouver les instructions de démarrage de l'ordinateur. Ces informations se trouvent dans le programme BIOS. Chaque fois que vous démarrez ou redémarrez votre ordinateur, il exécute une procédure d'amorçage et l'écran affiche le logo Fujitsu jusqu'à ce que le système d'exploitation soit chargé. Cette procédure comporte diverses opérations dont un auto-test de mise sous tension. Si la procédure d'amorçage est exécutée sans échec et sans demande d'accès à l'utilitaire de configuration du BIOS, le message de bienvenue du système d'exploitation s'affiche.

La procédure d'amorçage est exécutée lorsque :

- Vous allumez votre ordinateur portable LifeBook.
- Vous redémarrez l'ordinateur à partir de la boîte de dialogue Windows d'arrêt du système.
- Un logiciel lance un redémarrage du système. Exemple : Lorsque vous installez une nouvelle application.

Mots de passe d'accès au disque dur

Pour mieux sécuriser vos données, vous pouvez créer des mots de passe contrôlant l'accès au(x) disque(s) dur(s). Cette fonction est gérée par l'utilitaire de configuration BIOS. Voir *Utilitaire de configuration du BIOS* pour toute information spécifique.



RETENEZ BIEN VOS MOTS DE PASSE. SI VOUS CONFIGUREZ DES MOTS DE PASSE DE MAÎTRE ET D'UTILISATEUR, PUIS QUE VOUS LES OUBLIEZ, FUJITSU AMERICA NE POURRA PAS RÉINITIALISER VOTRE SYSTÈME. VOUS RISQUERIEZ ALORS DE PERDRE DES DONNÉES ET DE DEVOIR REMPLACER VOTRE CARTE SYSTÈME OU VOTRE DISQUE DUR.

Utilitaire de configuration du BIOS

L'utilitaire de configuration du BIOS est un programme qui définit l'environnement de fonctionnement de votre ordinateur LifeBook. Votre BIOS a été configuré en usine pour des conditions d'utilisation normales. Vous ne devriez donc pas avoir à configurer ni à modifier votre environnement BIOS pour utiliser l'ordinateur.

L'utilitaire de configuration du BIOS permet de configurer :

- Les paramètres de commande des périphériques, notamment les adresses d'entrée-sortie et les lecteurs de démarrage.
- Les paramètres de sécurité des données du système, ce qui comprend notamment les mots de passe.

Accès à l'utilitaire de configuration du BIOS

Pour accéder à l'utilitaire de configuration du BIOS, procédez de la manière suivante (ou servez-vous du menu TrustedCore tel que décrit à la section suivante) :

- 1** Allumez ou redémarrez votre ordinateur portable LifeBook.
- 2** Pour accéder à l'utilitaire, appuyez sur la touche [F2] lorsque le logo Fujitsu apparaît à l'écran. Le menu principal de l'utilitaire de configuration du BIOS s'affichera avec les paramètres courants.
- 3** Avec la [TOUCHE FLÉCHÉE À DROITE] ou la [TOUCHE FLÉCHÉE À GAUCHE], parcourez les autres menus de configuration et vérifiez/modifiez les paramètres actuels.

Utilisation du menu TrustedCore

Lorsque le logo Fujitsu apparaît à l'écran, appuyez sur la touche [Entrée] ou cliquez avec le bouton gauche de la souris ou du pavé tactile TouchPad. Le menu TrustedCore s'affichera.

Ce menu fournit des raccourcis vers les menus et écrans d'informations suivants :

- Configuration du BIOS
- Écran de diagnostic
- Menu de la procédure d'amorçage
- Informations relatives aux brevets
- Informations sur le système
- Poursuivre la procédure d'amorçage

Lorsque vous cliquez sur l'un des choix du menu, le système affiche les renseignements demandés ou exécute l'action correspondante.

Vous pouvez aussi invoquer le menu de la procédure d'amorçage en appuyant sur la touche [F12] lorsque le logo Fujitsu apparaît à l'écran.

Guide d'information sur le BIOS

Un guide d'information sur le BIOS de votre ordinateur portable est disponible en ligne. Pour y accéder, veuillez visiter notre site de service à la clientèle et d'assistance à <http://www.computers.us.fujitsu.com/support>. Une fois dans la section « Online Support » (Assistance en ligne), sélectionnez « User's Guides » (Guides d'utilisation). Sélectionnez votre produit, sa série et son modèle, puis cliquez sur [Go].

Démarrage du système

Il est fortement recommandé de ne pas installer de périphérique externe et de ne pas insérer de disque dans votre lecteur avant que la procédure de démarrage soit entièrement terminée.

La première fois que vous allumez votre ordinateur portable LifeBook, l'écran affiche le logo Fujitsu. Si vous n'intervenez pas, l'ordinateur charge le système d'exploitation et lance la procédure d'ouverture Windows.

Premier démarrage de Windows



LORS DE VOTRE PREMIÈRE INITIALISATION DU SYSTÈME WINDOWS, L'ÉCRAN SERA VIDE PENDANT ENVIRON DEUX MINUTES. CELA EST NORMAL. APRÈS L'INITIALISATION, UNE BOÎTE DE DIALOGUE « CONFIGURATION DE WINDOWS » APPARAÎT.

IMPORTANT : PENDANT LA PROCÉDURE DE CONFIGURATION, NE DÉBRANCHEZ PAS LE CORDON D'ALIMENTATION, N'APPUYEZ SUR AUCUN BOUTON ET N'UTILISEZ AUCUN PÉRIPHÉRIQUE TEL QUE LA SOURIS, LE CLAVIER OU UNE TÉLÉCOMMANDE.

Pour profiter au maximum de votre système d'exploitation Windows, il vous est suggéré de l'enregistrer lors de sa première utilisation.

1 Premièrement, vous devrez lire et accepter les contrats de licence d'utilisation.



- SI VOUS REFUSEZ D'ACCEPTER LE CONTRAT DE LICENCE, LE SYSTÈME VOUS DEMANDE DE REVOIR LE CONTRAT DE LICENCE ET D'Y LIRE LES INFORMATIONS TRAITANT DU RETOUR DE WINDOWS À SON FABRICANT, OU DE SIMPLEMENT ÉTEINDRE L'ORDINATEUR LIFEBOOK PC TABLETTE.
- VOUS NE POURREZ L'UTILISER QUE SI VOUS ACCEPTEZ LE CONTRAT DE LICENCE. SI VOUS N'ALLEZ PAS AU BOUT DE CETTE PROCÉDURE, VOTRE ORDINATEUR RETOURNE À L'ÉCRAN DE BIENVENUE WINDOWS, MÊME SI VOUS ESSAYEZ D'ÉTEINDRE L'ORDINATEUR ET DE LE REDÉMARRER.

- 2** Vous serez invité à entrer votre nom d'utilisateur et votre mot de passe, puis vous pourrez choisir une icône pour votre compte.
- 3** L'écran suivant demande de fournir un nom d'ordinateur et vous permet de choisir un environnement de bureau.
- 4** Vous verrez ensuite un écran « Aider à protéger automatiquement Windows » dans lequel le choix par défaut est « Utiliser les paramètres recommandés ». Les deux autres choix sont « Installer uniquement des mises à jour importantes » et « Demandez-moi plus tard ». Sélectionnez parmi les trois choix.
- 5** Réglez vos paramètres d'heure et de date sur l'écran suivant.
- 6** Vous verrez ensuite l'écran « Sélectionnez l'emplacement actuel de votre ordinateur ». Choisissez parmi Domicile, Travail (par défaut) et Lieu public.
- 7** L'écran « Merci » suit et une offre gratuite de Norton est proposée. Plusieurs écrans se suivent pendant que Windows vérifie la performance du système.
- 8** Windows démarre alors pour la première fois. Conformément aux indications cidessus, lors de votre première initialisation du système Windows Vista, l'écran sera vide pendant environ deux minutes. Cela est normal. Durant cette période, ne débranchez pas le cordon d'alimentation, n'appuyez sur aucun bouton et n'utilisez aucun périphérique tel que la souris, le clavier ou une télécommande.

Enregistrement de Windows chez Microsoft

- 1 Après le premier démarrage de Windows, le Centre d'accueil du panneau de configuration apparaît. Si vous ne voyez pas l'icône Enregistrer Windows en ligne dans la fenêtre, cliquez sur « Afficher les xx éléments » (où « xx » est le nombre de sujets disponibles dans le Centre d'accueil).
- 2 Cliquez sur [Enregistrer Windows en ligne] et suivez les instructions qui apparaissent pour enregistrer votre copie de Windows.

Enregistrement de votre PC Tablette LifeBook chez Fujitsu

Pour enregistrer votre ordinateur LifeBook, vous pouvez aller sur notre site Internet : **us.fujitsu.com/computers**. Pour vous enregistrer en ligne, vous devez avoir un compte valide auprès d'un fournisseur d'accès Internet.



Installation de Click Me!



AVANT D'INSTALLER L'UTILITAIRE CLICK ME!, VÉRIFIEZ SI LE COMMUTATEUR DE RÉSEAU SANS FIL EST À LA POSITION DE MARCHÉ.

Systemes Windows Vista/7

Lors du premier démarrage de votre ordinateur, vous verrez une fenêtre « Paramètres principaux de l'ordinateur ». Cette fenêtre explique les installations qui seront effectuées par l'utilitaire Click Me! Si vous cliquez sur [Exécuter], Click Me! commencera à s'installer. Après avoir cliqué sur le bouton, si vous voyez une fenêtre « Contrôle de compte d'utilisateur », il faudra donner votre permission pour continuer. Cliquez sur [Continuer] pour poursuivre. Si vous annulez cette opération, l'icône Click Me! apparaîtra sur votre bureau pour une installation future.

Systemes Windows XP

La première fois que le système démarre, l'icône Click Me! apparaît dans le menu Démarrer. **Nous vous conseillons vivement d'installer l'utilitaire Click Me! la première fois que vous faites démarrer l'ordinateur.** Lorsque vous cliquez sur l'icône Click Me!, votre système configure automatiquement les icônes appropriées dans zone de notification en bas à droite de l'écran. Ces icônes fournissent des liens vers les utilitaires d'accès fréquent, tels que le logiciel de réseau local sans fil fourni par le fabricant de la carte réseau sans fil.



IL EXISTE PEUT-ÊTRE DES APPLICATIONS FOURNIES PAR D'AUTRES FABRICANTS QUI NE SONT PAS INSTALLÉES PAR L'UTILITAIRE CLICK ME! POUR OBTENIR DAVANTAGE DE RENSEIGNEMENTS, REPORTEZ-VOUS AU GUIDE D'INTRODUCTION.



Utilitaire de mise à jour des pilotes Fujitsu Driver Update

Votre système dispose d'un outil pratique appelé Utilitaire de Mise à jour des pilotes Fujitsu (FDU ou Fujitsu Driver Update). Avec FDU, vous pouvez choisir d'aller automatiquement ou manuellement sur le site de Fujitsu pour obtenir les mises à jour récentes de votre système. Pour obtenir davantage de renseignements concernant l'utilitaire FDU, reportez-vous à "Téléchargement automatique des mises à jour de pilotes" en page 131.

Gestion de l'alimentation

Votre ordinateur Fujitsu LifeBook possède plusieurs dispositifs permettant d'économiser l'énergie des batteries. Certains de ces dispositifs fonctionnent automatiquement et ne requièrent aucune intervention, notamment en ce qui concerne le modem interne. Cependant, d'autres dépendent de paramètres que vous pouvez configurer en fonction de vos conditions d'utilisation, notamment en ce qui concerne la luminosité de l'écran. Les paramètres de gestion interne de l'alimentation peuvent être configurés dans votre système d'exploitation, dans une application intégrée de gestion de l'alimentation ou dans l'utilitaire de configuration du BIOS.

Outre les dispositifs précédents de conservation de l'énergie de la batterie, d'autres moyens sont à votre disposition pour éviter l'épuisement trop rapide de votre batterie. Par exemple, vous pouvez créer un profil de gestion de l'alimentation, vous pouvez mettre votre ordinateur en mode sommeil lorsqu'il n'exécute aucune opération ou vous pouvez limiter l'utilisation des périphériques consommant le plus d'énergie. À l'instar de tous les ordinateurs portables alimentés par batterie, vous devez trouver le meilleur compromis entre performance et rendement énergétique.

Bouton d'alimentation/veille/reprise

Lorsque l'ordinateur est allumé, vous pouvez utiliser le bouton d'alimentation/veille/reprise pour placer manuellement l'ordinateur en mode sommeil. Assurez-vous alors que l'ordinateur n'est pas en train d'accéder à des données, puis enfoncez et relâchez immédiatement le bouton d'alimentation/veille/reprise. Vous entendez deux brefs signaux sonores et le système se place en mode sommeil.

Pour « réveiller » l'ordinateur lorsqu'il est en mode veille, appuyez de nouveau sur le bouton d'alimentation/veille/reprise. Pour savoir si l'ordinateur est en mode veille, regardez le voyant lumineux d'alimentation. Si le voyant est allumé sans clignoter, l'ordinateur est entièrement fonctionnel. Si le voyant est allumé *et* qu'il clignote, l'ordinateur est en mode sommeil. Si le voyant est éteint, l'ordinateur est éteint ou en veille prolongée (*voir la rubrique traitant du mode veille prolongée/enregistrement sur le disque*).

Mode sommeil

Lorsque le mode sommeil est activé, Windows conserve le contenu de votre mémoire de système durant la période d'inactivité en maintenant l'alimentation de certains composants critiques. Ce mode éteint l'unité centrale, l'écran, le disque dur et tous les autres composants internes sauf ceux qui sont nécessaires pour conserver la mémoire du système et permettre son redémarrage.

Votre ordinateur portable peut être mis en sommeil de plusieurs façons :

- En appuyant sur le bouton d'alimentation/veille/reprise (si l'ordinateur est allumé).
- En sélectionnant le mode sommeil à partir du menu Arrêt de Windows.
- Lorsque le délai d'inactivité est atteint.
- En laissant la charge de la batterie descendre au niveau Avertissement de batterie faible.

Dans ces situations, la mémoire de système de l'ordinateur enregistre généralement le fichier sur lequel vous travaillez, des informations sur les applications ouvertes et d'autres données nécessaires aux opérations en cours. Lorsque vous quittez le mode sommeil, l'ordinateur est rallumé dans l'état exact où vous l'avez laissé. Pour reprendre l'utilisation de l'ordinateur, vous devez employer le bouton d'alimentation/veille/reprise et vous devez disposer d'une source d'alimentation valide.



SI L'ORDINATEUR UTILISE L'ALIMENTATION PAR BATTERIE, N'OUBLIEZ PAS QUE LA BATTERIE CONTINUE À SE DÉCHARGER MÊME EN MODE SOMMEIL, MAIS PLUS LENTEMENT QU'EN MODE DE FONCTIONNEMENT NORMAL. SI VOUS DÉSACTIVEZ LE BOUTON D'ALIMENTATION/VEILLE/REPRISE, VOUS NE POURREZ PLUS L'UTILISER POUR METTRE L'ORDINATEUR EN MODE SOMMEIL OU EN VEILLE PROLONGÉE (ENREGISTREMENT SUR LE DISQUE). IL EST POSSIBLE QU'AVEC CERTAINES CARTES PC CARD, VOUS NE PUISSIEZ PAS PLACER L'ORDINATEUR EN MODE SOMMEIL OU EN VEILLE PROLONGÉE. LORSQUE DES CARTES PC CARD OU DES PÉRIPHÉRIQUES EXTERNES SONT UTILISÉS, L'ORDINATEUR NE PEUT RETROUVER EXACTEMENT SON ÉTAT ANTÉRIEUR APRÈS AVOIR ÉTÉ EN VEILLE PROLONGÉE CAR TOUS LES PÉRIPHÉRIQUES EXTERNES SONT RÉINITIALISÉS DURANT LA PROCÉDURE DE REPRISE DE L'ORDINATEUR.

SI VOTRE ORDINATEUR ACCÈDE ACTIVEMENT À DES INFORMATIONS AU MOMENT OÙ VOUS LE METTEZ EN MODE SOMMEIL OU EN MODE VEILLE PROLONGÉE, LES MODIFICATIONS AUX FICHIERS OUVERTS NE SERONT PAS PERDUES. LORSQUE VOUS ACTIVEZ LE MODE SOMMEIL, LES FICHIERS SONT LAISSÉS OUVERTS ET LA MÉMOIRE DEMEURE ACTIVE. SI VOUS CHOISISSEZ LE MODE VEILLE PROLONGÉE, LA MÉMOIRE EST TRANSFÉRÉE SUR LE DISQUE DUR INTERNE.

LE PRINCIPAL AVANTAGE DU MODE VEILLE PROLONGÉE EST QU'AUCUNE ÉNERGIE N'EST NÉCESSAIRE POUR CONSERVER VOS DONNÉES. CET AVANTAGE EST PARTICULIÈREMENT IMPORTANT SI VOUS COMPTÉZ LAISSER VOTRE ORDINATEUR EN VEILLE PENDANT DE LONGUES PÉRIODES. LES PRINCIPAUX INCONVÉNIENTS DE LA VEILLE PROLONGÉE SONT UNE PLUS LONGUE DURÉE DES PROCÉDURES DE MISE EN VEILLE ET DE REPRISE, AINSI QUE LA RÉINITIALISATION DES PÉRIPHÉRIQUES.

Fonction de veille prolongée

Le mode veille prolongée enregistre le contenu de la mémoire du système sur le disque dur. Cette fonction peut être activée et désactivée.

Activation et désactivation de la fonction de veille prolongée

Dans Windows Vista/Windows 7 :

Le mode veille prolongée est activé par défaut. Pour activer ou désactiver la fonction de veille prolongée, exécutez les opérations suivantes :

- 1 Dans le menu **Démarrer**, ouvrez le **panneau de configuration** et cliquez sur l'icône **Options d'alimentation**.
- 2 Puis sélectionnez « Choisir ce que fait le bouton d'alimentation » ou « Choisir ce que fait la fermeture du couvercle », puis faites votre sélection (Ne rien faire, Sommeil, Veille prolongée ou Arrêter).

Dans Windows XP :

Dans la configuration par défaut, cette fonction n'est pas activée. Pour activer ou désactiver la fonction de veille prolongée, exécutez les opérations suivantes :

- 1 Dans le menu **Démarrer**, sélectionnez **Paramètres**, puis **Panneau de configuration**.
- 2 Une fois dans le **Panneau de configuration**, sélectionnez **Options d'alimentation**.
- 3 Cliquez sur l'onglet **Veille prolongée**. Cliquez dans la case pour activer ou désactiver la fonction.

Gestion de l'alimentation dans Windows

L'icône des options d'alimentation disponible dans le Panneau de configuration Windows vous permet de configurer certains paramètres de gestion de l'alimentation. Par exemple, vous pouvez utiliser les Options d'alimentation pour régler les valeurs de temporisation (délai d'inactivité) afin d'éteindre l'écran et les disques durs selon que l'ordinateur est alimenté par batterie ou par l'un des adaptateurs.

Redémarrage du système

Dans Windows Vista / Windows 7 :

- 1 Cliquez sur le bouton du menu **Démarrer** et placez le curseur de la souris sur la flèche de droite.
- 2 Sélectionnez l'action voulue dans la liste.

Dans Windows XP :

- 1 Cliquez sur le bouton du menu **Démarrer** et cliquez sur **Arrêter l'ordinateur**.
- 2 Dans la boîte de dialogue d'arrêt Windows qui apparaît, sélectionnez l'option **Redémarrer**.
- 3 Enfin, cliquez sur **OK**. L'ordinateur s'arrête et redémarre.



SI VOUS ARRÊTEZ VOTRE ORDINATEUR SANS FERMER WINDOWS OU SI VOUS L'ALLUMEZ MOINS DE 10 SECONDES APRÈS L'AVOIR ARRÊTÉ, VOUS RISQUEZ DE PROVOQUER UNE ERREUR LORS DU PROCHAIN DÉMARRAGE DU SYSTÈME.

Mise hors tension

Avant de mettre l'ordinateur hors tension, assurez-vous que le voyant d'accès au disque dur/lecteur optique est éteint. Si vous arrêtez l'ordinateur alors qu'un disque est en cours d'utilisation, vous risquez de perdre des données. Pour vous assurer que l'ordinateur s'arrête sans erreur, utilisez la procédure d'arrêt Windows.



AVANT DE COUPER L'ALIMENTATION ÉLECTRIQUE, N'OUBLIEZ PAS DE FERMER TOUS LES FICHIERS, DE QUITTER TOUTES LES APPLICATIONS ET D'ARRÊTER VOTRE SYSTÈME D'EXPLOITATION. SI DES FICHIERS SONT OUVERTS LORSQUE VOUS COUPEZ L'ALIMENTATION, VOUS PERDREZ TOUTES LES MODIFICATIONS N'AYANT PAS ÉTÉ ENREGISTRÉES ET VOUS RISQUEZ DE CAUSER DES ERREURS DE DISQUE.

Si vous arrêtez votre système depuis Windows, vous permettez à l'ordinateur de terminer les opérations en cours, vous lui permettez aussi d'exécuter les opérations de mise hors tension dans le bon ordre et vous évitez les risques d'erreur. La procédure appropriée est la suivante :

- 1 Cliquez sur le bouton **Démarrer**, puis positionnez le curseur sur la petite flèche située en bas à droite du menu (si vous avez Windows 7), cliquez simplement sur le bouton [Arrêter].
- 2 Dans la liste, sélectionnez [**Arrêter**].

Si vous comptez entreposer votre ordinateur pendant un mois ou plus, consultez la section Entretien.



- ÉTEIGNEZ TOUJOURS VOTRE ORDINATEUR AVANT DE LE TRANSPORTER ET/OU DE L'EMBALLER. APRÈS AVOIR ÉTEINT LE SYSTÈME, ATTENDEZ QUE LE PANNEAU DE VOYANTS D'ÉTAT INDIQUE BIEN LE STATUT HORS TENSION (C'EST À DIRE QU'AUCUN VOYANT N'EST ALLUMÉ).
- IL EST POSSIBLE QUE L'APPAREIL NE SE METTE PAS AUTOMATIQUEMENT EN MODE HORS TENSION OU VEILLE PROLONGÉE APRÈS QUE VOUS AVEZ FERMÉ LE COUVERCLE. CETTE SITUATION PEUT SE PRODUIRE EN FONCTION DES PARAMÈTRES DE SÉCURITÉ PAR MOT DE PASSE QUI GÈRENT LA PRÉ-INITIALISATION DU SYSTÈME OU D'UNE AUTRE APPLICATION EN COURS D'UTILISATION SUR L'ORDINATEUR.
- SI VOUS TENTEZ DE TRANSPORTER L'ORDINATEUR SANS L'ÉTEINDRE, VOUS RISQUEZ DE L'ENDOMMAGER EN LE SOUMETTANT À DES CHOCS OU EN L'AMENANT EN ÉTAT DE SURCHAUFFE CAR LES GRILLES DE VENTILATION PEUVENT ÊTRE BLOQUÉES OU OBSTRUÉES.

Chapitre 3

Options installables par l'utilisateur

Batterie au lithium-ion

Votre ordinateur portable LifeBook possède une batterie au lithium-ion qui en permet le fonctionnement lorsque vous n'avez pas accès à une source d'alimentation externe. Cette batterie est robuste et durable, mais elle ne doit pas être exposée à des températures extrêmes, à des tensions élevées, à des produits chimiques ou à d'autres situations dangereuses.

Si la batterie au lithium-ion est utilisée dans les conditions suivantes, son autonomie peut en être réduite :

- Lorsque la température ambiante est inférieure à 5 °C ou supérieure à 35 °C. Les températures extrêmes réduisent la capacité de charge et peuvent accélérer la détérioration de la batterie. Si vous tentez de charger une batterie sous une température ambiante dépassant les seuils de tolérance, vous voyez clignoter le voyant de charge en cours sur le tableau de voyants d'état. *Voir « voyant de charge des batteries » en page 25.*
- Lorsque vous utilisez des périphériques qui consomment beaucoup de courant, comme un modem, un graveur de DVD multiformat, un lecteur de DVD-ROM, un lecteur Blu-ray RW, ou le disque dur, l'utilisation de l'adaptateur secteur permet de conserver la charge de la batterie.



NE LAISSEZ JAMAIS UNE BATTERIE DÉFECTUEUSE DANS VOTRE ORDINATEUR. ELLE POURRAIT ENDOMMAGER L'ADAPTATEUR SECTEUR, L'ADAPTATEUR AUTO/AVION DISPONIBLE EN OPTION, LA DEUXIÈME BATTERIE SI VOUS EN POSSÉDEZ UNE OU L'ORDINATEUR LUI-MÊME. UNE BATTERIE ENDOMMAGÉE PEUT ÉGALEMENT NUIRE AU FONCTIONNEMENT DE L'ORDINATEUR EN UTILISANT TOUT LE COURANT DISPONIBLE.



- L'AUTONOMIE RÉELLE DE LA BATTERIE PEUT VARIER SELON LA LUMINOSITÉ DE L'ÉCRAN, SELON LES APPLICATIONS, LES FONCTIONS ET LES PARAMÈTRES DE GESTION DE L'ALIMENTATION QUE VOUS UTILISEZ, SELON L'ÉTAT DE LA BATTERIE ET SELON D'AUTRES PRÉFÉRENCES QUE VOUS POUVEZ CONFIGURER. L'UTILISATION D'UN LECTEUR DE DVD-ROM, D'UN GRAVEUR DE DVD MULTIFORMAT, D'UN LECTEUR BLU-RAY RW ET DU DISQUE DUR AFFECTE ÉGALEMENT L'AUTONOMIE DE LA BATTERIE. EN OUTRE, LA CAPACITÉ DE CHARGE DE LA BATTERIE DIMINUE AVEC L'USAGE. SI VOTRE BATTERIE PERD RAPIDEMENT SA CHARGE, REMPLACEZ-LA PAR UNE NEUVE.
- IL EST POSSIBLE QUE DES LOIS FÉDÉRALES, PROVINCIALES OU LOCALES INTERDISENT DE JETER DES BATTERIES DANS LES DÉCHETS DOMESTIQUES. CONTRIBUEZ À LA PROTECTION DE L'ENVIRONNEMENT ET JETEZ VOS BATTERIES USÉES CONFORMÉMENT AUX LOIS EN VIGUEUR. POUR OBTENIR DES INFORMATIONS SUR LE RECYCLAGE ET LA MISE AUX REBUTS DES VIEILLES BATTERIES, CONSULTEZ LES AUTORITÉS LOCALES OU PROVINCIALES COMPÉTENTES. SI VOUS N'ARRIVEZ PAS À TROUVER CES INFORMATIONS, CONTACTEZ UN PRÉPOSÉ DU SERVICE À LA CLIENTÈLE AU 1-800-8FUJITSU (1-800-838-5487).

Procédure de recharge des batteries

Pour connaître le niveau de charge de votre batterie au lithium-ion principale, vérifiez le voyant de batterie dans le tableau de voyants d'état. Ce voyant change selon le niveau de charge de la batterie.

La batterie au lithium-ion peut être rechargée avec l'adaptateur secteur ou avec l'adaptateur auto/avion. Pour recharger une batterie, assurez-vous qu'elle est bien installée dans l'ordinateur portable LifeBook et connectez l'adaptateur secteur ou l'adaptateur auto/avion.



ASSUREZ-VOUS QUE LE VOYANT DE CHARGE EN COURS ET LE POURCENTAGE DE CHARGE SONT VISIBLES À L'INTÉRIEUR DE L'ICÔNE DU NIVEAU DE CHARGE, SUR LE TABLEAU DE VOYANTS D'ÉTAT.

Puisque les batteries au lithium-ion n'ont aucun effet de mémoire, il n'est pas nécessaire de décharger complètement votre batterie avant de la recharger. La durée de charge sera nettement plus longue si vous utilisez l'ordinateur pendant que la batterie se charge. Si vous désirez charger la batterie le plus rapidement possible, placez votre ordinateur en mode sommeil ou éteignez-le pendant que la batterie se charge (*pour de plus amples informations sur le mode sommeil et la procédure d'arrêt, reportez-vous à Gestion de l'alimentation en page 60*).



L'UTILISATION DE PÉRIPHÉRIQUES ÉNERGIVORES, TELS QUE LE MODEM, OU L'ACCÈS FRÉQUENT AU LECTEUR DE BLU-RAY RW PEUVENT EMPÊCHER UNE RECHARGE COMPLÈTE.

Batterie faible

Lorsque la batterie est faible, le système affiche un avis de batterie faible. Si vous ne prêtez pas attention à cet avis de batterie faible, la batterie continuera à se décharger jusqu'à ce qu'elle ne puisse plus faire fonctionner le système. Lorsque cela se produit, l'ordinateur se place en mode sommeil. Dans un tel cas, rien ne garantit que toutes vos données seront sauvegardées.



- LORSQUE L'AVIS DE BATTERIE FAIBLE APPARAÎT, VOUS DEVEZ ENREGISTRER TOUTES VOS DONNÉES ACTIVES ET PLACER VOTRE ORDINATEUR LIFEBOOK EN MODE SOMMEIL JUSQU'À CE QUE VOUS PUISSIEZ DISPOSER D'UNE AUTRE SOURCE D'ALIMENTATION. VOUS DEVEZ CONNECTER LE PLUS RAPIDEMENT POSSIBLE UNE BATTERIE CHARGÉE, UN ADAPTATEUR SECTEUR OU UN ADAPTATEUR AUTO/AVION.
- LORSQUE L'ORDINATEUR EST EN MODE SOMMEIL, IL DOIT TOUJOURS DISPOSER D'UNE BONNE SOURCE D'ALIMENTATION. SI VOUS RETIREZ TOUTES LES SOURCES D'ALIMENTATION ALORS QUE L'ORDINATEUR EST EN MODE SOMMEIL, TOUTES LES DONNÉES N'AYANT PAS ÉTÉ SAUVEGARDÉES SONT PERDUES.

Si l'ordinateur se place en mode « veille car batterie épuisée », le voyant d'état apparaît comme si l'ordinateur était en mode sommeil normal. Lorsque l'ordinateur est en mode veille de batterie épuisée, il est impossible d'en reprendre l'utilisation avant d'avoir connecté une source d'alimentation valide provenant d'un adaptateur ou d'une batterie chargée. Lorsque vous avez connecté une alimentation valide, vous devez ensuite appuyer sur le bouton d'alimentation/veille/reprise pour reprendre l'utilisation de l'ordinateur.

Lorsque l'ordinateur est en mode veille de batterie épuisée, vos données peuvent être sauvegardées pendant une certaine période, mais si vous ne connectez pas rapidement une source d'alimentation valide, le voyant d'alimentation cesse de clignoter et s'éteint. Vous avez alors perdu toutes les données n'ayant pas été enregistrées. Si vous connectez un adaptateur, vous pouvez poursuivre l'utilisation de l'ordinateur pendant que la batterie se recharge.

Batterie court-circuitée

Le voyant de charge de la batterie (dans le tableau de voyants d'état) contient un symbole indiquant le niveau de charge disponible. Si ce symbole indique que la batterie est court-circuitée, cette dernière est endommagée et doit être remplacée pour éviter qu'elle n'endommage d'autres composants de votre ordinateur.

Remplacement de la batterie

Si vous achetez une batterie supplémentaire de rechange, vous pourrez remplacer la batterie principale si elle vient à se décharger complètement. Deux méthodes s'offrent à vous pour remplacer votre batterie, le remplacement hors tension et le remplacement sous tension :

Remplacement hors tension

Pour remplacer la batterie alors que le système est hors tension, exécutez les opérations suivantes :

- 1** Trouvez une batterie chargée, prête à l'installation.
- 2** Arrêtez l'ordinateur portable et débranchez l'adaptateur secteur.
- 3** Enfoncez les loquets de dégagement du compartiment de la batterie (en direction du corps de la batterie), puis sortez la batterie en vous aidant des loquets.
- 4** Insérez une nouvelle batterie et appuyez jusqu'à ce que vous sentiez l'enclenchement des loquets.
- 5** Branchez l'adaptateur secteur et allumez l'ordinateur.

Remplacement sous tension

Pour remplacer la batterie alors que le système est sous tension, exécutez les opérations suivantes :



AVANT D'ENLEVER LA BATTERIE, ASSUREZ-VOUS QUE L'ADAPTATEUR SECTEUR EST BIEN CONNECTÉ. L'ORDINATEUR NE DISPOSE D'AUCUNE BATTERIE TEMPORAIRE POUR FAIRE FONCTIONNER LE SYSTÈME DURANT LE REMPLACEMENT DE LA BATTERIE. SI VOUS N'UTILISEZ PAS L'ADAPTATEUR SECTEUR, VOUS PERDREZ TOUTES LES DONNÉES NON ENREGISTRÉES.

- 1 Branchez l'adaptateur secteur sur votre ordinateur, puis sur une prise électrique sous tension.

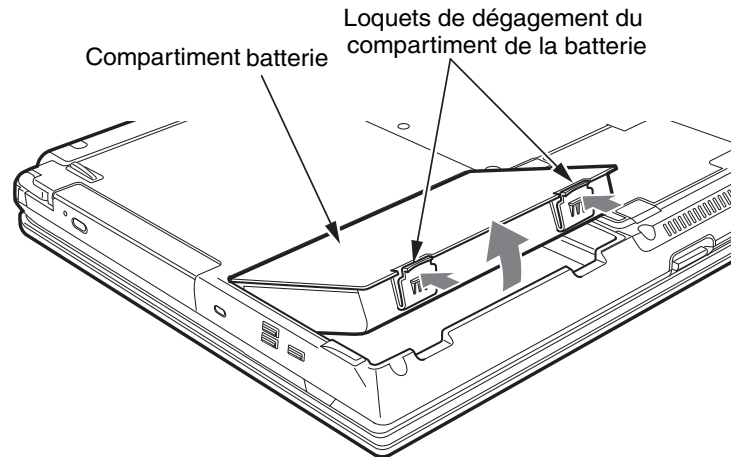


Figure 14. Retrait de la batterie

- 2 Suivez les étapes 3 à 6 de la section « Remplacement hors tension ».



SI LE CONNECTEUR DE LA BATTERIE AU LITHIUM-ION N'EST PAS BIEN ENFONCÉ, VOUS RISQUEZ DE NE PAS POUVOIR UTILISER L'ORDINATEUR OU DE NE PAS POUVOIR RECHARGER LA BATTERIE.

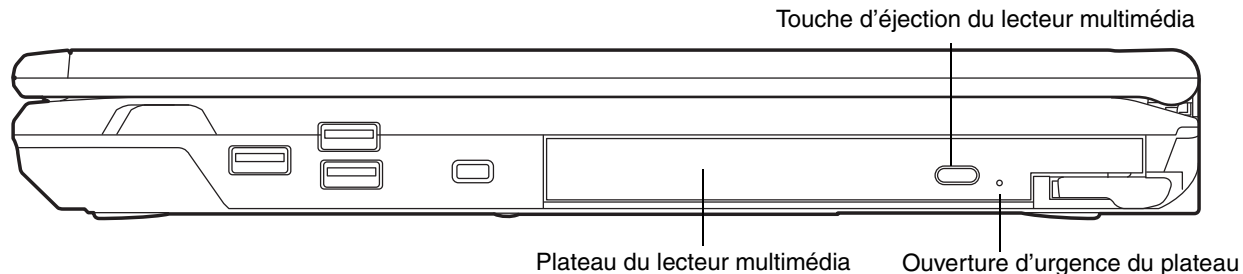


Figure 15. Lecteur optique

Lecteur optique

Différents supports sont disponibles pour être utilisés avec votre système, selon la configuration de système que vous avez sélectionnée. Les graveurs de DVD multiformat, les lecteurs Blu-ray ® RW et lecteurs de DVD-ROM sont regroupés sous le nom « lecteurs optiques ».

Selon la configuration de votre ordinateur portable, vous pourriez avoir l'un des lecteurs optiques suivants :

- **Graveur de DVD multiformat double couche :** Ce lecteur vous permet d'accéder à des films, des DVD/CD audio, des logiciels, ainsi que de lire et d'écrire sur des disques CD-R, CD-RW, DVD-R, DVD+R, DVD-RW, DVD+RW et DVD-RAM. L'architecture double couche permet d'enregistrer jusqu'à 8,5 Go sur les disques DVD+R.
- **Lecteur RW Blu-ray® :** ce lecteur vous permet de regarder des films sur disques Blu-ray et de graver jusqu'à 50 Go de films et de données sur un disque Blu-ray à double-couche. Il vous permet aussi de lire des CD-ROM, CD-R, CD-RW, DVD-ROM, DVD-R, DVD-R DL, DVD-RW, DVD+R, DVD+R DL, DVD+RW, DVD-RAM, BD-ROM, BD-R, BD-R DL, BD-RE, BD-RE DL, et de graver des CD-R, CD-RW, DVD-R, DVD-R DL, DVD-RW, DVD+R, DVD+R DL, DVD+RW, DVD-RAM, BD-R, BD-R DL, BD-RE, BD-RE DL.
- **DVD-ROM :** Un lecteur DVD-ROM vous permet d'accéder à des logiciels, à des données ainsi qu'à des CD ou DVD audio.



AVANT D'UTILISER DES LECTEURS OPTIQUES, VOUS DEVEZ INSTALLER LE LOGICIEL DE LECTURE MULTIMÉDIA. RÉFÉREZ-VOUS AU FICHIER LISEZ-MOI QUI SE TROUVE SUR LE DISQUE D'APPLICATIONS ET DE PILOTES.

Logiciels du lecteur multimédia

Modèle avec graveur de DVD multiformat double couche seulement : Grâce au graveur de DVD multiformat double couche et au logiciel de lecteur multimédia, vous pouvez écouter des films DVD et des CD de musique sur votre portable LifeBook. Le lecteur multimédia inclut des commandes vous permettant de profiter au maximum des fonctions d'un film DVD, ainsi que des fonctions standard telles que l'avance rapide, marche arrière rapide, pause, etc. Grâce à ce lecteur vous pouvez également graver des disques DVD-R/RW, DVD+R/RW ou CD-R/RW.

Modèle avec Blu-ray seulement : Le logiciel du lecteur Blu-ray est déjà installé mais vous pouvez aussi le trouver sur le CD CyberLink PowerDVD / PowerDirector/MakeDisc au cas où il faudrait le réinstaller. Lorsqu'elle est utilisée en association avec PowerDirector et MakeDisc, l'application PowerDVD transforme votre ordinateur portable en un puissant outil de production et de lecture multimédia.

Modèle DVD-ROM seulement : Le lecteur de DVD ROM vous permet de regarder des films sur des DVD ou d'écouter/lire des CD audio, et d'utiliser des programmes.



- NE FAITES FONCTIONNER VOTRE LECTEUR OPTIQUE QUE SI VOTRE ORDINATEUR PORTABLE LIFEBOOK SE TROUVE SUR UNE SURFACE PLATE. L'UTILISATION D'UN LECTEUR LORSQUE LE SYSTÈME N'EST PAS À NIVEAU RISQUE D'ENDOMMAGER LE LECTEUR OU D'EMPÊCHER SON FONCTIONNEMENT APPROPRIÉ.
- UNE UTILISATION PROLONGÉE D'UN LECTEUR OPTIQUE (NOTAMMENT POUR VOIR UN FILM DVD) RÉDUIRA CONSIDÉRABLEMENT LA LONGÉVITÉ DE VOTRE BATTERIE, À MOINS QUE VOUS N'UTILISIEZ UNE SOURCE D'ÉNERGIE EXTERNE.

Installation d'un disque dans votre lecteur

Pour installer un disque dans votre lecteur optique :

- 1 Appuyez et relâchez la touche d'éjection située à l'avant du lecteur optique afin d'ouvrir le plateau de chargement. Le plateau sortira légèrement du portable LifeBook.
- 2 Tirez doucement le plateau de chargement jusqu'à ce qu'un disque puisse y être déposé facilement.
 - VISITEZ RÉGULIÈREMENT LE SITE WEB DE FUJITSU À L'ADRESSE US.FUJITSU.COM/COMPUTERS POUR OBTENIR LES MISES À JOUR DE PILOTES LES PLUS RÉCENTES.
 - TOUTS LES LECTEURS DE DVD LIFEBOOK SONT COMPATIBLES AVEC LES TITRES DE DVD DONT LE NUMÉRO DE RÉGION EST 1, CORRESPONDANT AU MARCHÉ NORD-AMÉRICAIN. LE NUMÉRO DE RÉGION EST UN CODE DE RESTRICTION RÉGIONAL DÉFINI PAR LE FORUM DES DVD QUI AGIT SELON LES EXIGENCES DE HOLLYWOOD. DIFFÉRENTS CODES RÉGIONAUX SONT ENREGISTRÉS SUR LES TITRES DE DVD VIDÉO POUR PUBLICATION DANS DIFFÉRENTES RÉGIONS À TRAVERS LE MONDE. SI LE CODE RÉGIONAL DU LECTEUR DE DVD NE CORRESPOND PAS AUX CODES RÉGIONAUX DES TITRES, LA LECTURE EST IMPOSSIBLE.
 - VOUS POUVEZ CHANGER LE CODE RÉGIONAL DU LECTEUR DE DVD EN UTILISANT LE MENU PROPRIÉTÉS DU LOGICIEL DE DVD. TOUTEFOIS, VEUILLEZ PRENDRE NOTE QUE **VOUS NE POUVEZ CHANGER LE CODE RÉGIONAL QUE QUATRE FOIS**. APRÈS LE QUATRIÈME CHANGEMENT, LE DERNIER CODE RÉGIONAL ENTRÉ DEVIENT PERMANENT ET NE PEUT PLUS ÊTRE CHANGÉ.
- 3 Placez le disque dans le plateau de chargement, l'étiquette vers le haut, avec l'orifice au milieu du disque. Enfoncez le disque dans le cercle surélevé situé au centre du plateau.
- 4 Fermez le plateau de chargement en le poussant doucement jusqu'à ce que vous entendiez un clic.



SI VOUS AVEZ DÉSACTIVÉ LA FONCTION AVIS D'INSERTION AUTOMATIQUE, VOUS DEVREZ FAIRE DÉMARRER LE LECTEUR SOIT À PARTIR DU POSTE DE TRAVAIL SOIT AVEC L'EXPLORATEUR WINDOWS, CAR L'ORDINATEUR PORTABLE NE RECONNAÎTRA PAS AUTOMATIQUEMENT QUE LE DISQUE A ÉTÉ CHARGÉ.

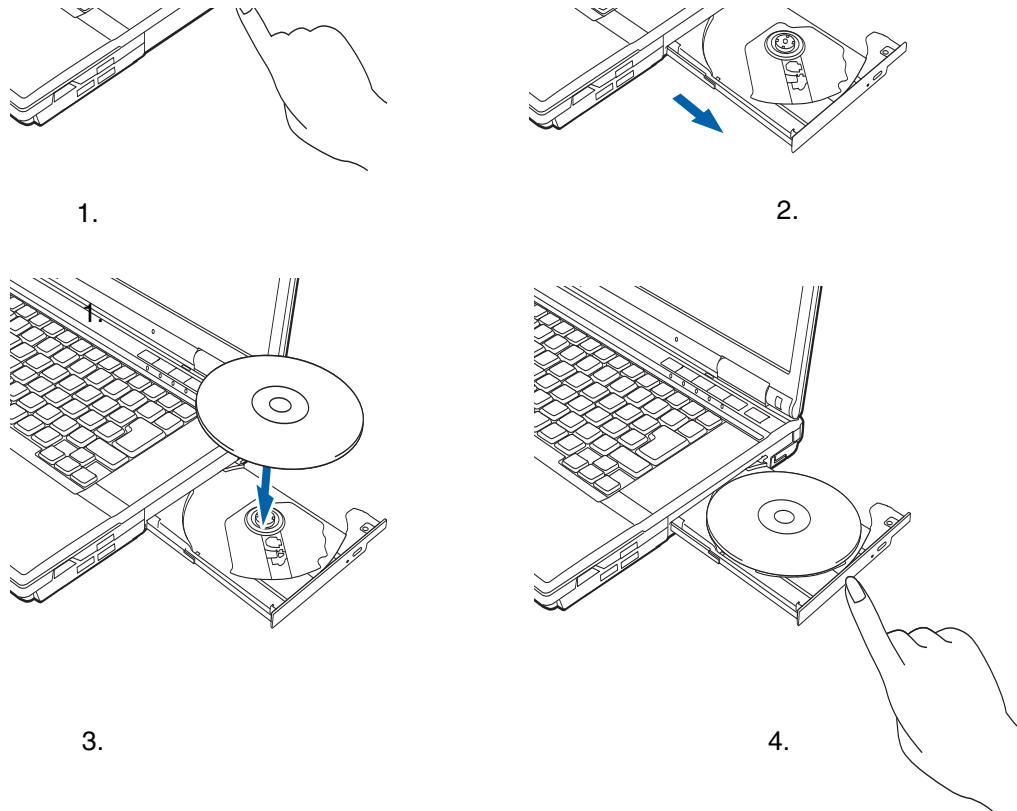


Figure 16. Chargement/éjection d'un disque

Retrait d'un disque

- 1** Appuyez et relâchez la touche d'éjection située à l'avant du lecteur optique. Le lecteur s'arrêtera et le plateau sortira légèrement de l'ordinateur LifeBook.
- 2** Tirez doucement le plateau jusqu'à ce que le disque puisse en être facilement retiré.
- 3** Retirez doucement le disque du plateau de chargement.
- 4** Fermez le plateau de chargement en le poussant doucement jusqu'à ce que vous entendiez un clic.

Ouverture d'urgence du plateau

Si le bouton d'éjection ne fonctionne pas, vous pouvez ouvrir le plateau du lecteur média en insérant un trombone ou un outil similaire dans le trou d'éjection situé tout à droite sur le devant du plateau. Redressez une extrémité du trombone et insérez-la doucement dans le trou. Le plateau sortira.

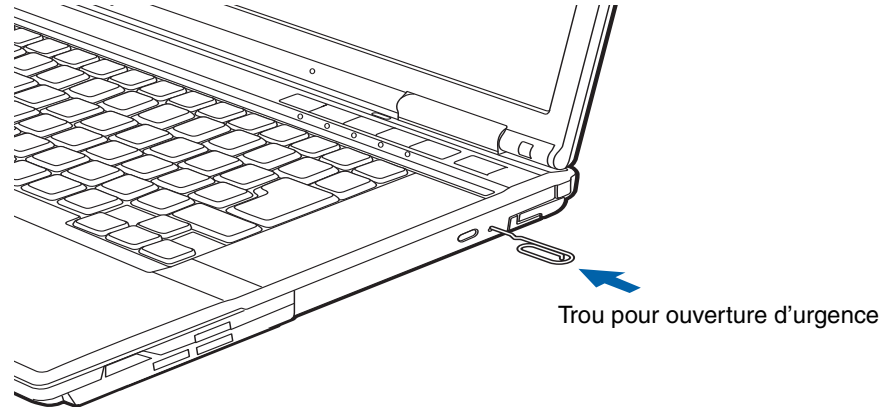


Figure 17. Ouverture d'urgence du plateau

Utilisation des logiciels du lecteur multimédia



SELON VOTRE CONFIGURATION, IL EST POSSIBLE QUE VOTRE SYSTÈME NE DISPOSE PAS D'UN LOGICIEL DE LECTEUR MULTIMÉDIA PRÉINSTALLÉ. SI CELUI-CI N'EST PAS INSTALLÉ, CONSULTEZ LA DOCUMENTATION ACCOMPAGNANT L'APPLICATION MULTIMÉDIA.

Démarrer un film DVD (modèles DVD seulement)

- 1 Insérez le DVD dans le lecteur optique de l'ordinateur. Si la fonction « Exécution automatique » s'enclenche, ignorez l'étape 2.

- 2 Lorsque vous insérerez un film dans le tiroir du lecteur optique pour la première fois, on vous invitera à choisir ce que vous aimeriez que le système fasse lorsque les disques sont insérés (par exemple, démarrer automatiquement ou attendre le message-guide). Ce même message s'affichera chaque fois que vous insérerez un disque jusqu'à ce que vous fassiez votre sélection.
- 3 Cliquez sur **[OK]** pour fermer la boîte de dialogue « À propos du lecteur de DVD », et le film commencera.

Ouverture du panneau de configuration du lecteur multimédia

La plupart des DVD-ROM vous permettent de modifier la façon dont le film est visionné et ce que vous aimeriez voir. Pour cela, il suffit d'utiliser le panneau de configuration du lecteur multimédia et la souris.

- 1 Cliquez à droite sur l'écran du film pour ouvrir le menu déroulant des options.
- 2 Pour afficher toutes les commandes disponibles, sélectionnez **Afficher**, puis **Lecteur**. Vous verrez alors apparaître le panneau de configuration dans le bas de l'écran.

Utilisation du panneau de configuration du lecteur multimédia

Le logiciel du lecteur multimédia vous permet de visionner un film tout comme le fait un magnétoscope à cassettes. Vous pouvez faire une pause, rembobiner, avancer rapidement ou arrêter un film à tout moment.

- 1 Pour suspendre le film, cliquez sur le bouton d'écran **II** .
- 2 Pour faire reculer le film, cliquez sur le bouton **◀** pour revenir jusqu'à un point spécifique de votre choix ou cliquez sur le bouton **◀◀** pour revenir à l'écran de bienvenue.
- 3 Pour faire avancer le film, cliquez sur le bouton **▶** pour avancer jusqu'à un point spécifique de votre choix ou cliquez sur le bouton **▶▶**. pour passer aux crédits de fermeture.
- 4 Pour arrêter le film, cliquez sur le bouton **■** .

Quitter le lecteur multimédia

- 1 Cliquez sur le bouton **×** situé dans le coin supérieur droit de la barre de titre. Vous voyez apparaître une boîte de dialogue du lecteur multimédia.
- 2 Cliquez sur **[Oui]** pour arrêter et quitter le film ou sur **[Non]** pour fermer la boîte de dialogue et retourner au film.

Utilisation du lecteur multimédia avec alimentation par batterie

Étant donné que les lecteurs optiques consomment beaucoup d'énergie, la longévité de votre batterie sera considérablement plus courte si vous utilisez continuellement le lecteur optique (notamment pour regarder un film DVD) que lors d'un fonctionnement normal. La durée d'exécution d'un grand nombre de films est supérieure à l'autonomie d'une seule batterie. Si vous regardez un film DVD avec une alimentation par batterie, vous aurez probablement besoin d'une batterie supplémentaire chargée ou de brancher un adaptateur secteur durant le film pour pouvoir le voir en entier.



- UNE UTILISATION PROLONGÉE DU LECTEUR OPTIQUE (NOTAMMENT POUR VOIR UN FILM DVD) RÉDUIT CONSIDÉRABLEMENT LA LONGÉVITÉ DE VOTRE BATTERIE.
- LA DURÉE D'UN GRAND NOMBRE DE FILMS EST SUPÉRIEURE À L'AUTONOMIE D'UNE SEULE BATTERIE. SI VOUS REGARDEZ UN FILM DVD AVEC UNE ALIMENTATION PAR BATTERIE, VOUS AUREZ PROBABLEMENT BESOIN D'UNE BATTERIE ADDITIONNELLE CHARGÉE OU DE BRANCHER UN ADAPTATEUR SECTEUR DURANT LE FILM POUR POUVOIR LE VOIR EN ENTIER.
- UNE BATTERIE SUPPLÉMENTAIRE COMPLÈTEMENT CHARGÉE EST FORTEMENT RECOMMANDÉE SI VOUS PRÉVOYEZ DE REGARDER DES FILMS DVD AVEC UNE ALIMENTATION PAR BATTERIE. SI VOUS NE POSSÉDEZ PAS UNE BATTERIE SUPPLÉMENTAIRE, VOUS POUVEZ VOUS EN PROCURER UNE SOIT EN LIGNE À [HTTP://WWW.COMPUTERS.US.FUJITSU.COM](http://www.computers.us.fujitsu.com), SOIT EN APPELANT AU 1-877-372-3473.

Pour regarder un film avec une alimentation par batterie :

- 1 Ayez à votre disposition une batterie supplémentaire chargée à fond ou un adaptateur secteur.
- 2 Commencez la lecture du film DVD.
- 3 Lorsque le voyant de batterie faible s'allume, arrêtez immédiatement le film et quittez le lecteur multimédia.



SI VOUS N'ARRÊTEZ PAS LE LECTEUR MULTIMÉDIA RAPIDEMENT ET QUE LE PORTABLE LIFEBOOK TENTE DE S'ARRÊTER AUTOMATIQUÉMENT (ÉTAT CRITIQUE DE BATTERIE FAIBLE), LE PORTABLE LIFEBOOK S'ÉTEINDRA DE FAÇON INAPPROPRIÉE. SI CETTE SITUATION SE PRODUIT, VOUS DEVRIEZ EXÉCUTER UN REDÉMARRAGE À FROID ET SUIVRE LES INSTRUCTIONS, LE CAS ÉCHÉANT, QUI VOUS SONT PRÉSENTÉES AVANT QUE LE SYSTÈME NE REDÉMARRE.

- 4 Mettez votre ordinateur hors tension et remplacez la batterie déchargée par la batterie supplémentaire chargée à fond. Si vous ne disposez pas d'une batterie supplémentaire, vous pouvez brancher un adaptateur secteur dès que vous voyez l'indicateur de faible batterie.
- 5 Faites reprendre votre portable LifeBook en appuyant à nouveau sur le bouton d'alimentation/veille/reprise. Cette opération n'est pas nécessaire si vous avez connecté un adaptateur secteur sans utiliser le mode sommeil.
- 6 Redémarrez votre lecteur multimédia et retrouvez l'endroit où vous avez laissé le film.
- 7 Poursuivez la lecture du film DVD.



CERTAINS FILMS PLUS COURTS PEUVENT ÊTRE ENTièrement VUS SANS NéCESSITER DE BATTERIE SUPPLÉMENTAIRE OU LE BRANCHEMENT D'UN ADAPTATEUR SECTEUR. TOUTEFOIS, IL EST PRÉFÉRABLE D'ÊTRE PRÊT PUISQUE LA LONGÉVITÉ RÉELLE DE LA BATTERIE PENDANT LE FONCTIONNEMENT DU LECTEUR OPTIQUE NE PEUT PAS ÊTRE GARANTIE.

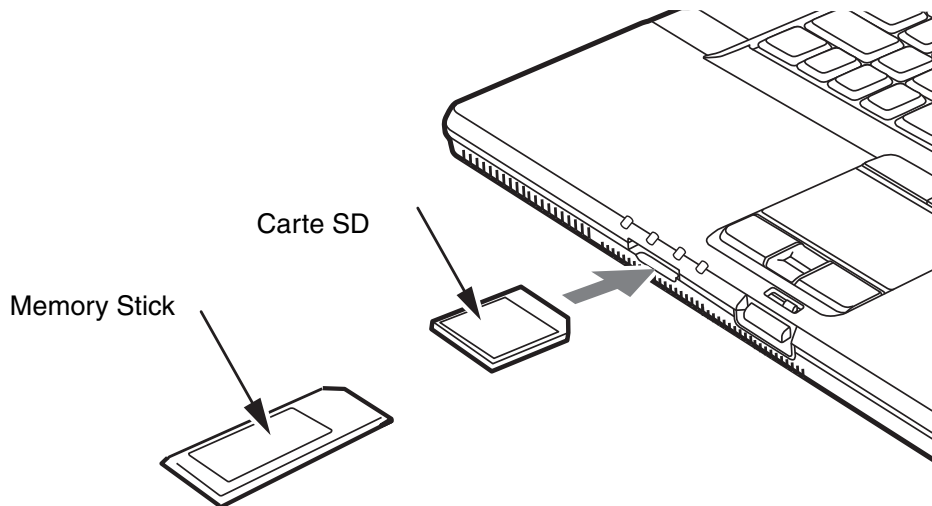


Figure 18. Installation d'une carte Memory Stick ou SD

Cartes mémoire MemoryStick/Secure Digital

Votre ordinateur portable LifeBook peut accueillir des cartes Memory Stick et Secure Digital (SD) sur lesquelles vous pouvez stocker et transférer des données vers et à partir de divers dispositifs numériques. Ces cartes utilisent une architecture de mémoire flash, ce qui veut dire que vous n'avez pas besoin d'une source d'énergie pour conserver les données.

Les cartes Memory Stick permettent l'enregistrement, le transfert et le partage de contenus numériques, tels que photos, films, sons, voix, données et applications.

Les cartes Secure Digital (SD) sont très similaires aux cartes Memory Stick. Comme les Memory Stick, les cartes SD permettent de stocker des informations et de les transférer sur des appareils très variés : téléphones cellulaires, navigateurs GPS, appareils photo numériques, assistants numériques, etc. Les cartes SD transfèrent les données rapidement et sollicitent très peu la batterie. Tout comme la carte Memory Stick, la carte SD utilise l'architecture de mémoire flash.

Installation d'une carte Memory Stick ou SD

Les cartes MemoryStick et SD s'installent dans le lecteur de carte prévu à cet effet. Pour installer une carte Memory Stick ou SD, procédez comme suit :



L'INSERTION OU LE RETRAIT D'UNE CARTE PENDANT QUE LE LIFEBOOK EST EN COURS DE DÉMARRAGE OU D'ARRÊT PEUT ENDOMMAGER LA CARTE OU L'ORDINATEUR.

N'INSÉREZ PAS DE CARTE DANS LA FENTE S'IL Y A DE L'EAU OU TOUTE AUTRE SUBSTANCE SUR LA CARTE, CAR VOUS POURRIEZ ENDOMMAGER DE FAÇON PERMANENTE LA CARTE, VOTRE ORDINATEUR PORTABLE OU LES DEUX.

- 1 Le guide d'utilisation de la carte mémoire vous indiquera comment l'installer. Certaines cartes pourraient nécessiter que votre portable soit éteint pendant que vous les installez.
- 2 Avant d'insérer votre carte, assurez-vous qu'aucune autre carte n'est déjà installée dans la fente. Si une carte s'y trouve, reportez-vous à la rubrique Retrait d'une carte Memory Stick ou SD.
- 3 Enfoncez la carte dans la fente, étiquette vers le haut.
- 4 Poussez fermement la carte dans la fente jusqu'à ce qu'elle soit logée dans le connecteur.

Retrait d'une carte Memory Stick/SD

Pour retirer une carte Memory Stick ou SD, procédez comme suit :



LE GUIDE D'UTILISATION DE LA CARTE MÉMOIRE VOUS INDIQUERA COMMENT LA RETIRER. CERTAINES CARTES POURRAIENT NÉCESSITER QUE VOTRE ORDINATEUR PORTABLE LIFEBOOK SOIT EN MODE SOMMEIL OU QU'IL SOIT ÉTEINT PENDANT QUE VOUS LES RETIREZ.

Appuyez sur la carte Memory Stick ou SD pour la déverrouiller. La carte s'éjecte ensuite de la fente pour que vous puissiez la retirer.

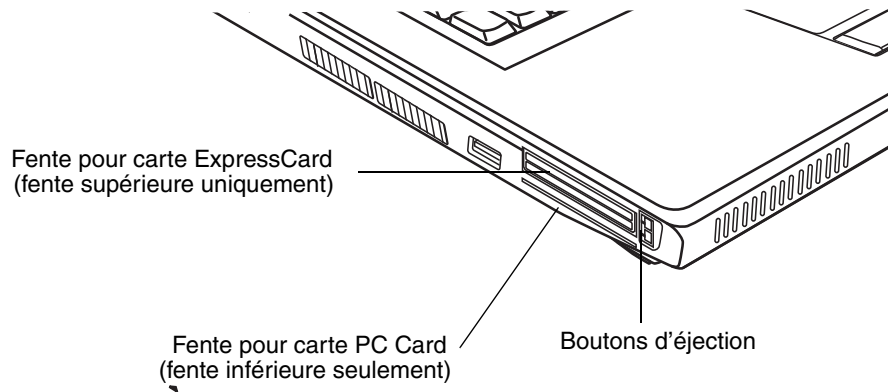


Figure 19. Installation/retrait d'une carte PC Card

Cartes PC Card/ExpressCard™

Votre ordinateur portable LifeBook accepte les cartes PC Card et ExpressCard™ de type I et de type II, lesquelles peuvent exécuter de nombreuses fonctions différentes selon le type de carte que vous installez. Vous pouvez insérer une ou deux cartes à la fois, selon le type de carte. Les cartes PC Card doivent être insérées dans la fente inférieure et les cartes ExpressCard, dans la fente supérieure.

Voici quelques cartes PC Card/ExpressCard disponibles :

- Cartes de réseau local Ethernet Gigabit
- Cartes S-ATA II
- Cartes de réseau local sans fil IEEE 802.11n
- Autres cartes PC Card conformes aux spécifications PCMCIA 2.1 ou CardBus

Pour plus d'informations, référez-vous aux instructions fournies avec votre(vos) carte(s).

Installation d'une carte PC Card

Les cartes PC Card sont insérées dans la fente de carte PC Card (fente inférieure). Pour insérer une carte PC Card, exécutez les opérations suivantes :



- SI VOUS INSÉREZ OU RETIREZ UNE CARTE PC CARD PENDANT LE PROCESSUS D'ARRÊT OU DE DÉMARRAGE DE VOTRE ORDINATEUR PORTABLE, VOUS RISQUEZ D'ENDOMMAGER LA CARTE ET/OU VOTRE ORDINATEUR PORTABLE.
- N'INSÉREZ PAS DE CARTE MOUILLÉE OU SALIE, CAR CELA POURRAIT ENDOMMAGER DE MANIÈRE PERMANENTE LA CARTE, LE LIFEBOOK OU LES DEUX.



IL EST POSSIBLE QUE VOUS DEVIEZ OUVRIR UNE SESSION EN TANT QU'ADMINISTRATEUR OU MEMBRE DU GROUPE DE L'ADMINISTRATEUR AFIN DE COMPLÉTER CETTE PROCÉDURE. SI L'ORDINATEUR EST CONNECTÉ À UN RÉSEAU, LES PARAMÈTRES DE POLITIQUE DU RÉSEAU POURRAIENT ÉGALEMENT VOUS EMPÊCHER D'EXÉCUTER CETTE PROCÉDURE.

- 1** Le guide d'utilisation de la carte vous indiquera comment l'installer. Certaines cartes pourraient nécessiter que votre portable soit éteint pendant que vous les installez.
- 2** Avant d'insérer votre carte, assurez-vous qu'aucune autre carte n'est déjà installée dans la fente. Si c'est le cas, consultez la rubrique Retrait d'une carte PC Card.
- 3** Si la touche d'éjection est sortie, enfoncez-la jusqu'au déclic.
- 4** Insérez votre carte dans la fente, l'étiquette vers le haut.
- 5** Poussez fermement la carte dans la fente jusqu'à ce qu'elle soit logée dans le connecteur.

Retrait d'une carte PC Card

Le guide d'utilisation de votre carte PC Card vous indiquera comment la retirer. Certaines cartes pourraient nécessiter que votre ordinateur portable LifeBook soit en mode sommeil ou qu'il soit éteint pendant que vous les retirez.



- WINDOWS DISPOSE D'UNE PROCÉDURE D'ARRÊT POUR LES CARTES PC CARD QUE VOUS DEVRIEZ SUIVRE AVANT DE RETIRER UNE CARTE (LE GUIDE D'UTILISATION DU SYSTÈME D'EXPLOITATION CONTIENT DES INFORMATIONS SUPPLÉMENTAIRES SUR CETTE PROCÉDURE). VOUS DEVRIEZ PRENDRE L'HABITUDE DE RETIRER LES PÉRIPHÉRIQUES AVEC L'ICÔNE « RETIRER LE PÉRIPHÉRIQUE EN TOUTE SÉCURITÉ » DANS LA ZONE DE NOTIFICATION.
- SI LA BOÎTE DE DIALOGUE INDIQUE QUE LE DISPOSITIF NE PEUT PAS ÊTRE RETIRÉ, VOUS DEVEZ ALORS SAUVEGARDER TOUS VOS FICHIERS OUVERTS, FERMER TOUTES LES APPLICATIONS OUVERTES ET ÉTEINDRE VOTRE ORDINATEUR.

- 1 Déverrouillez la carte en appuyant sur la touche d'éjection associée à la fente dans laquelle la carte se trouve. Après avoir été enfoncé, le bouton d'éjection sort automatiquement.
- 2 Appuyez fermement sur la touche une fois encore jusqu'à ce qu'elle soit alignée avec le boîtier de l'ordinateur portable. Cela permettra d'éjecter légèrement la carte hors de la fente, afin que vous puissiez la retirer.



SI LA CARTE PC CARD DISPOSE D'UN CONNECTEUR EXTERNE ET D'UN CÂBLE, NE TIREZ PAS LE CÂBLE PENDANT QUE VOUS RETIREZ LA CARTE.

Installation d'une carte ExpressCard

Il existe deux largeurs différentes de cartes ExpressCard : 34 mm et 54 mm. Le connecteur à l'intérieur de la fente est situé sur le côté gauche de la fente. Si vous insérez une carte de 34 mm, assurez-vous de l'aligner avec le côté gauche de la fente.

Les cartes ExpressCard doivent être insérées dans la fente pour carte ExpressCard (fente supérieure).

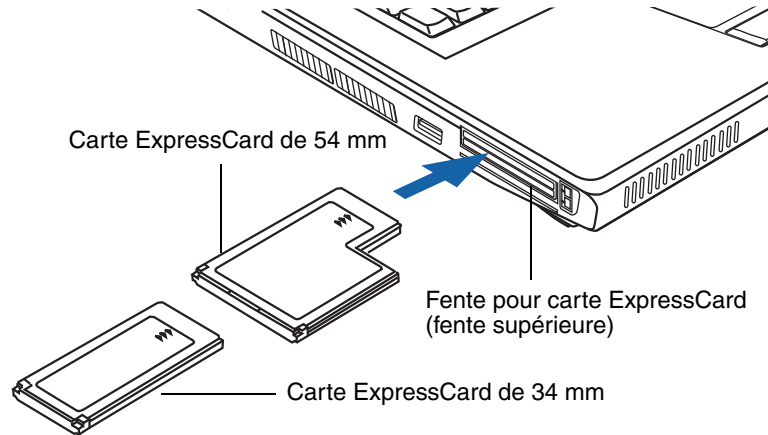


Figure 20. Installation/retrait d'une carte ExpressCard



- L'INSTALLATION OU LE RETRAIT D'UNE CARTE EXPRESSCARD PENDANT LE DÉMARRAGE OU L'ARRÊT DE L'ORDINATEUR PEUT ENDOMMAGER LA CARTE OU L'ORDINATEUR.
- N'INSÉREZ PAS UNE CARTE EXPRESSCARD DANS LA FENTE S'IL Y A DE L'EAU OU TOUTE AUTRE SUBSTANCE SUR LA CARTE, CAR VOUS POURRIEZ ENDOMMAGER DE FAÇON PERMANENTE LA CARTE, VOTRE ORDINATEUR OU LES DEUX.



IL EST POSSIBLE QUE VOUS DEVIEZ OUVRIR UNE SESSION EN TANT QU'ADMINISTRATEUR OU MEMBRE DU GROUPE DE L'ADMINISTRATEUR AFIN D'EXÉCUTER CETTE PROCÉDURE. SI L'ORDINATEUR EST CONNECTÉ À UN RÉSEAU, LES PARAMÈTRES DE POLITIQUE DU RÉSEAU POURRAIENT ÉGALEMENT VOUS EMPÊCHER DE COMPLÉTER CETTE PROCÉDURE.

Le guide d'utilisation de votre carte ExpressCard vous indiquera comment l'installer. Certaines cartes pourraient nécessiter que votre portable soit éteint pendant que vous les installez.

Pour installer une carte ExpressCard, suivez les étapes ci-après :

- 1** Avant d'insérer votre carte, assurez-vous qu'aucune autre carte n'est déjà installée dans la fente. Si c'est le cas, consultez la rubrique Retrait d'une carte ExpressCard.
- 2** Si la touche d'éjection est sortie, enfoncez-la jusqu'au déclic.
- 3** Enfoncez la carte ExpressCard dans la fente, étiquette vers le haut. Si vous insérez une carte de 34 mm, alignez-la avec le côté gauche de la fente.
- 4** Poussez fermement la carte dans la fente jusqu'à ce qu'elle soit logée dans le connecteur.

Retrait d'une carte ExpressCard

Le guide d'utilisation de votre carte ExpressCard vous indiquera comment la retirer. Certaines cartes pourraient nécessiter que votre ordinateur portable LifeBook soit en mode sommeil ou qu'il soit éteint pendant que vous les retirez.



- WINDOWS OFFRE UNE PROCÉDURE D'ARRÊT POUR LES CARTES EXPRESSCARD QUE VOUS DEVRIEZ SUIVRE AVANT DE RETIRER UNE CARTE (LE GUIDE D'UTILISATION DU SYSTÈME D'EXPLOITATION CONTIENT DES INFORMATIONS SUPPLÉMENTAIRES SUR CETTE PROCÉDURE). VOUS DEVRIEZ PRENDRE L'HABITUDE DE RETIRER LES PÉRIPHÉRIQUES AVEC L'ICÔNE « RETIRER LE PÉRIPHÉRIQUE EN TOUTE SÉCURITÉ » DANS LA ZONE DE NOTIFICATION.
- SI LA BOÎTE DE DIALOGUE INDIQUE QUE LE DISPOSITIF NE PEUT PAS ÊTRE RETIRÉ, VOUS DEVEZ ALORS SAUVEGARDER TOUS VOS FICHIERS OUVERTS, FERMER TOUTES LES APPLICATIONS OUVERTES ET ÉTEINDRE VOTRE ORDINATEUR.

Pour retirer une carte ExpressCard, exécutez les opérations suivantes :

- 1** Déverrouillez la carte en appuyant sur la touche d'éjection associée à la fente dans laquelle la carte se trouve. Après avoir été enfoncé, le bouton d'éjection sort automatiquement.
- 2** Appuyez fermement sur la touche une fois encore jusqu'à ce qu'elle soit alignée avec le boîtier de l'ordinateur portable. Cela permettra d'éjecter légèrement la carte hors de la fente, afin que vous puissiez la retirer.

Lecteur de carte Smart Card (Carte intelligente)

Votre LifeBook est doté d'un lecteur de cartes intelligentes, aussi appelées cartes à puce. Ces cartes ressemblent à des cartes de crédit mais elles contiennent une puce électronique. La puce peut stocker diverses informations et vous offre de nombreuses possibilités, comme faire des achats sécurisés, payer des appels téléphoniques, enregistrer des données de sécurité et fournir des informations personnelles et d'identification.

Pour pouvoir utiliser le lecteur de carte à puce, vous devez acquérir un logiciel tiers qui n'est pas fourni.

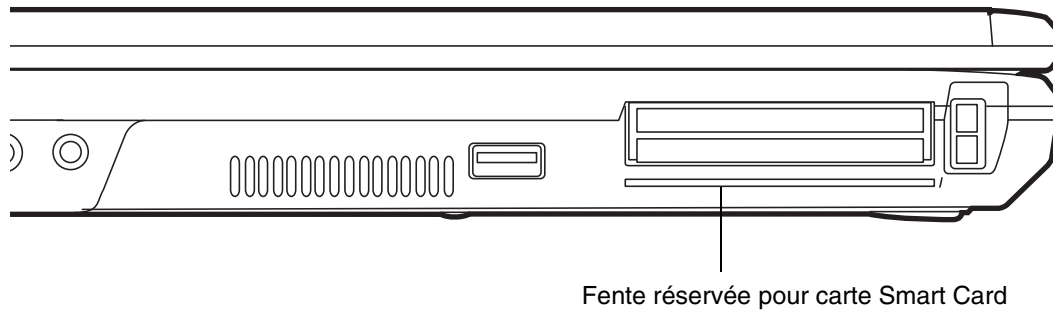


Figure 21. Fente pour carte Smart Card

Module de mémoire additionnelle

Votre ordinateur portable Fujitsu est équipé d'une mémoire vive dynamique synchrone à haute vitesse et à double débit (SDRAM DDR3-1066), installée en usine. Pour augmenter la capacité de mémoire de votre portable, vous pouvez installer un module de mémoire additionnelle. La mémoire additionnelle doit être un module SDRAM (DIMM) à double rangée de connexions. Pour vous assurer d'avoir une compatibilité à 100 %, achetez le module SDRAM uniquement auprès de la boutique virtuelle Fujitsu à l'adresse suivante : www.shopfujitsu.com.

- N'ENLEVEZ AUCUNE VIS DU COMPARTIMENT DU MODULE DE MÉMOIRE ADDITIONNELLE À L'EXCEPTION DE CELLES SPÉCIFIQUEMENT INDIQUÉES DANS LES DIRECTIVES D'INSTALLATION ET DE RETRAIT CORRESPONDANTES.
- LE MODULE DE MÉMOIRE ADDITIONNELLE PEUT ÊTRE FORTEMENT ENDOMMAGÉ PAR UNE DÉCHARGE ÉLECTROSTATIQUE (DES). POUR MINIMISER CE RISQUE, VEUILLEZ PRENDRE LES PRÉCAUTIONS SUIVANTES :
 - AVANT DE MANIPULER UN MODULE DE MÉMOIRE, TOUCHEZ UN OBJET MÉTALLIQUE MIS À LA TERRE POUR DÉCHARGER L'ÉLECTRICITÉ STATIQUE QUI S'EST ACCUMULÉE DANS VOTRE CORPS.
 - LORSQUE VOUS INSTALLEZ OU RETIREZ UN MODULE DE MÉMOIRE, TENEZ-LE PAR LE BORD DE FAÇON À NE TOUCHER AUCUN CONTACT NI AUCUNE PUCE. ASSUREZ-VOUS DE NE TOUCHER AUCUNE BORNE DE CONNEXION NI AUCUN COMPOSANT INTERNE DE L'ORDINATEUR. LA PEAU DÉGAGE UNE SUBSTANCE HUILEUSE QUI POURRAIT CAUSER UN COURT-CIRCUIT AUX COMPOSANTS.
 - ASSUREZ-VOUS DE METTRE VOTRE SYSTÈME HORS TENSION AVANT D'AJOUTER OU DE RETIRER DES MODULES DE MÉMOIRE. MÊME SI LE SYSTÈME EST EN SOMMEIL OU EN VEILLE PROLONGÉE, DES DONNÉES RISQUENT D'ÊTRE PERDUES ET LA MÉMOIRE POURRAIT ÊTRE ENDOMMAGÉE SI LE COURANT QUI ALIMENTE LE SYSTÈME N'EST PAS COUPÉ.



Installation des modules de mémoire supplémentaire

- 1 Coupez le courant de votre ordinateur portable et débranchez l'adaptateur d'alimentation (adaptateur secteur ou adaptateur auto/avion), le cas échéant. Retirez la batterie.
- 2 Assurez-vous que tous les couvercles du connecteur sont fermés.
- 3 Tournez l'ordinateur portable à l'envers et retirez la vis du compartiment du module de mémoire supplémentaire.
- 4 Retirez le couvercle.
- 5 Retirez le module de mémoire supplémentaire de sa gaine protectrice antistatique.
- 6 Alignez le module de mémoire supplémentaire avec la pièce vers le haut. Alignez le bord du connecteur du module avec la fente du connecteur dans le compartiment. Veuillez prendre note que si les deux modules de mémoire seront installés, ils seront « empilés ».

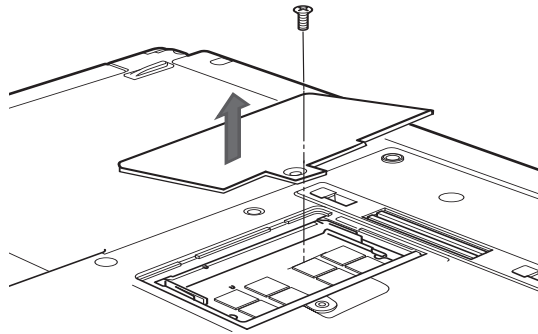


Figure 22. Ouverture du compartiment de mémoire

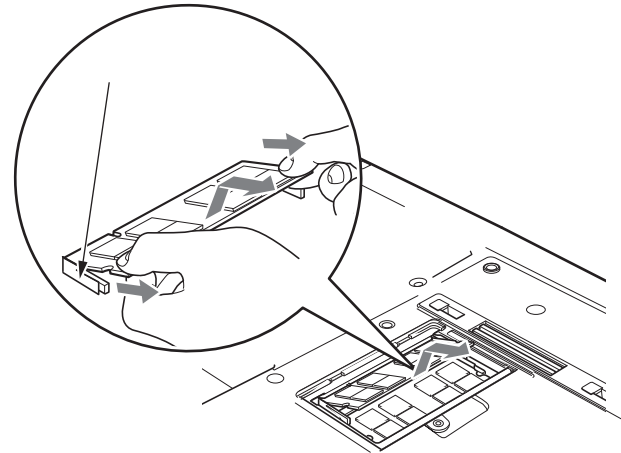


Figure 23. Installation d'un second module de mémoire

- 7 Insérez le module de mémoire additionnelle en oblique, à 45°. Poussez fermement le bord du connecteur du module vers le bas et appuyez sur le connecteur jusqu'à ce qu'il se loge sous la clé de serrage. Vous entendrez un clic lorsque celui-ci sera bien en place.
- 8 Remplacez le couvercle et les vis.



LE MODULE DE MÉMOIRE ADDITIONNELLE N'EST PAS UN ÉLÉMENT QUE VOUS RETIREZ DE VOTRE ORDINATEUR DE FAÇON ROUTINIÈRE. APRÈS L'INSTALLATION, VOUS POUVEZ LE LAISSER EN PLACE JUSQU'À CE QUE VOUS DÉCIDIEZ DE CHANGER LA CAPACITÉ DE MÉMOIRE DU SYSTÈME.

Retrait d'un module de mémoire supplémentaire

- 1 Exécutez les étapes 1 à 4 de la section « Installation d'un module de mémoire supplémentaire ».
- 2 Tirez les attaches latérales en les orientant vers les côtés pour les éloigner du module.
- 3 En maintenant les ergots écartés, retirez la barrette en la tirant vers à l'extérieur de l'ordinateur.

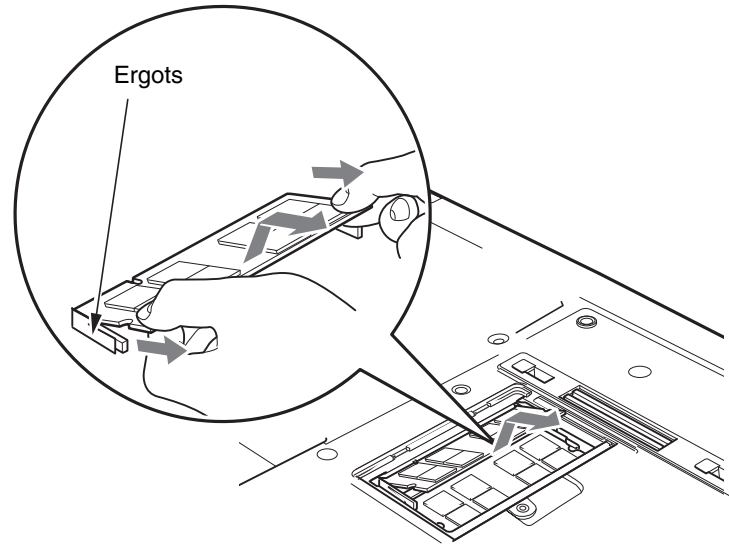


Figure 24. Retrait d'un module de mémoire supplémentaire

- 4 Rangez le module de mémoire supplémentaire dans une gaine protectrice antistatique.
- 5 Remplacez le couvercle et les vis.

Vérification de la capacité de mémoire

Lorsque vous avez changé la capacité de mémoire du système en remplaçant le module installé par un module plus puissant, assurez-vous que votre ordinateur a reconnu le changement.

Dans Windows 7 : Vérifiez la capacité de mémoire en cliquant sur [Démarrer] - Paramètres - Panneau de configuration, puis (mode d'affichage par catégories) en cliquant sur l'icône Système et Sécurité. Sélectionnez l'icône Sécurité et cochez la case correspondant à la capacité de mémoire à côté de « Mémoire installée (RAM) : ».

Dans Windows XP : Vérifiez la capacité de mémoire en cliquant sur [Démarrer] -> **Paramètres** -> **Panneau de configuration**, puis en double-cliquant sur l'icône Système. Sélectionnez l'onglet Général et vérifiez la capacité de mémoire sous « Ordinateur : ».

Dans Windows Vista : Vérifiez la capacité de mémoire en cliquant sur [Démarrer] -> **Panneau de configuration** -> **Système et entretien** -> **Système**. La capacité de mémoire est indiquée à côté de « Memory - RAM : » (ou Mémoire - RAM).

Dans les systèmes Windows XP, il pourrait y avoir une variation entre la capacité réelle de la mémoire et celle qui est affichée. Cette situation peut découler du fait que votre système est configuré avec un contrôleur graphique intégré (Graphics Media Accelerator) qui alloue la mémoire système de manière dynamique afin d'accélérer les performances graphiques.



SI LA MÉMOIRE TOTALE AFFICHÉE EST INCORRECTE, VÉRIFIEZ SI LE MODULE DE MÉMOIRE ADDITIONNELLE EST BIEN INSTALLÉ. SI LE MODULE EST BIEN INSTALLÉ MAIS QUE LA CAPACITÉ N'EST TOUJOURS PAS BIEN RECONNUE, CONSULTEZ LA SECTION DÉPANNAGE EN PAGE 102.

Ports de périphériques

Votre ordinateur portable LifeBook Fujitsu et le duplicateur de port optionnel sont équipés de plusieurs ports auxquels vous pouvez brancher des dispositifs externes tels que : lecteurs de disque, claviers, modems, imprimantes, etc.

Prise de téléphone modem (RJ-11)

La prise de téléphone modem (RJ-11) est utilisée pour un modem interne. Pour brancher le câble de téléphone, exécutez ces opérations simples :

- 1 Alignez le connecteur avec l'ouverture du port.
- 2 Poussez la fiche de connexion dans le port jusqu'à ce qu'elle s'enclenche.
- 3 Branchez l'autre extrémité du câble sur une prise téléphonique.

Au début, il se peut que les sons du modem soient désactivés. Pour activer les sons, suivez les étapes ci-dessous.

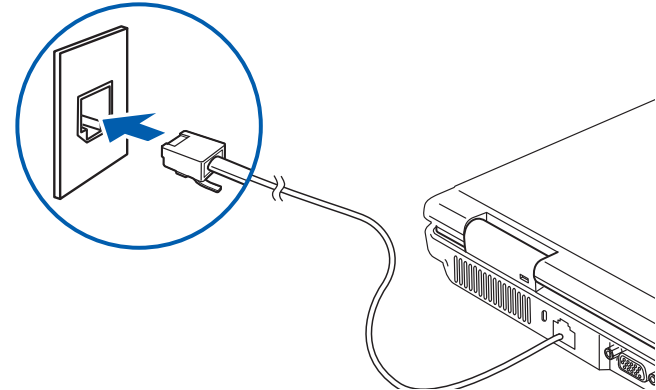


Figure 25. Connecter un modem

Dans Windows XP :

- 1 Cliquez sur [Démarrer] -> Paramètres -> Panneau de configuration.
- 2 Double-cliquez sur Phone and Modems. Au départ, il se peut que vous deviez saisir votre code de région pour ouvrir la fenêtre Phone and Modem Options (Options de téléphone et modem). Sélectionnez l'onglet Modems et mettez le modem en surbrillance. Cliquez sur [Propriétés].
- 3 Double-cliquez sur Phone and Modems. Au départ, il se peut que vous deviez saisir votre code de région pour ouvrir la fenêtre Phone and Modem Options (Options de téléphone et modem). Sélectionnez l'onglet Modems et mettez le modem en surbrillance.
- 4 Cliquez sur [Propriétés].
- 5 Sélectionnez l'onglet Modems à nouveau, puis ajustez le volume avec la barre correspondante.

Dans Windows Vista et Windows 7:

- 1 Cliquez sur [Démarrer] -> Panneau de configuration.
- 2 Sous Windows Vista, sélectionnez Affichage classique dans le panneau de gauche ; sous Windows 7, sélectionnez Grandes Icônes ou Petites Icônes en mode d’Affichage en : champ.
- 3 Double-cliquez sur Phone and Modems (Téléphone et modems). Au départ, il se peut que vous deviez saisir votre code de région pour ouvrir la fenêtre Phone and Modem Options (Options de téléphone et modem).
- 4 Sélectionnez l’onglet Modems, puis cliquez sur le bouton Propriétés.
- 5 Sélectionnez l’onglet Modem et réglez le volume selon les besoins.



LE MODEM INTERNE N’EST PAS CONÇU POUR UNE UTILISATION AVEC UN AUTOCOMMUTATEUR NUMÉRIQUE. NE CONNECTEZ PAS UN MODEM INTERNE À UN AUTOCOMMUTATEUR PRIVÉ NUMÉRIQUE, CAR CELA POURRAIT CAUSER DE GRAVES DOMMAGES À VOTRE MODEM INTERNE OU À LA TOTALITÉ DE VOTRE ORDINATEUR PORTABLE LIFEBOOK. POUR DE PLUS AMPLES INFORMATIONS, CONSULTEZ LA DOCUMENTATION DU FABRICANT DE L’AUTOCOMMUTATEUR. CERTAINS HÔTELS UTILISENT UN AUTOCOMMUTATEUR NUMÉRIQUE. N’OUBLIEZ PAS DE VÉRIFIER **AVANT** DE CONNECTER VOTRE MODEM.



- LE MODEM INTERNE EST CONÇU SELON LA NORME UIT-T V.90. SA VITESSE MAXIMALE DE 53 000 BIT/S CORRESPOND À LA PLUS HAUTE VITESSE AUTORISÉE PAR LA FCC. LA VITESSE DE CONNEXION RÉELLE DÉPEND DES CONDITIONS DE LA LIGNE UTILISÉE. LA VITESSE MAXIMALE EST DE 33 600 BIT/S EN ENVOI.
- LES MODEMS INTERNES DE TOUS LES ORDINATEURS PORTABLES LIFEBOOK FUJITSU SONT CERTIFIÉS POUR UTILISATION AUX ÉTATS-UNIS ET AU CANADA. LE MODEM POURRAIT ÊTRE CERTIFIÉ POUR UTILISATION DANS D’AUTRES PAYS.

Prise de réseau local (RJ-45) interne

La prise de réseau local interne (RJ-45) est utilisée pour une connexion de réseau local Gigabit Ethernet (10Base-T/100Base-Tx/1000Base-T). Il est possible que vous deviez configurer votre ordinateur portable selon les particularités de votre réseau (pour de plus amples informations sur la configuration de votre réseau, veuillez consulter votre administrateur de réseau). Pour brancher le câble de réseau local, exécutez ces opérations simples :

- 1** Alignez le connecteur avec l'ouverture du port.
- 2** Poussez la fiche de connexion dans le port jusqu'à ce qu'elle s'enclenche.
- 3** Branchez l'autre extrémité du câble sur une prise de réseau local.

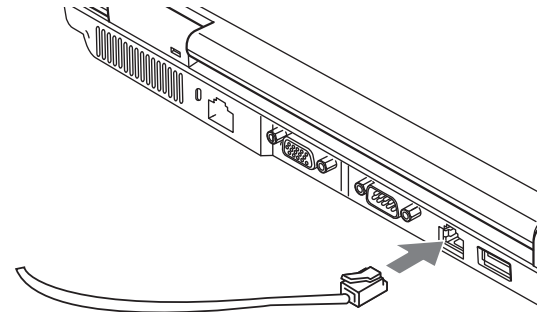


Figure 26. Connexion à un réseau local

e-SATA Port

Le port E-SATA (External Serial Advanced Technology Attachment) est la version externe du système SATA, lequel connecte votre ordinateur au disque dur. Le porte E-SATA est idéal pour la sauvegarde de fichiers volumineux sur un disque dur externe.

Pour brancher un périphérique E-SATA :

- 1 Aligned le connecteur avec l'ouverture du port.
- 2 Poussez la fiche de connexion dans le port jusqu'à ce qu'elle s'enclenche.

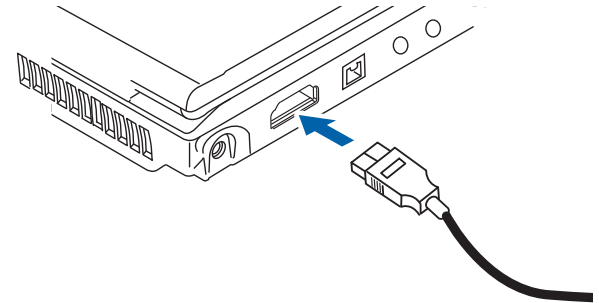


Figure 27. Connecting an e-SATA Device

Port d'affichage

Le connecteur de port d'affichage situé à l'arrière de la machine permet de connecter des dispositifs d'affichage sur votre ordinateur portable. Pour connecter un dispositif d'affichage, exécutez ces opérations simples :

- 1 Aligned le connecteur avec l'ouverture du port.
- 2 Poussez la fiche de connexion dans le port jusqu'à ce qu'elle s'enclenche.

Connecteur pour duplicateur de ports

Ce connecteur permet de raccorder votre ordinateur portable à un duplicateur de ports en option. Pour savoir comment procéder, consultez la documentation livrée avec le duplicateur.

Port série

Le port série, ou port de communication, qui se trouve sur le système et sur le duplicateur de port optionnel vous permet de connecter des périphériques en série, tels que des imprimantes ou des scanners. Pour connecter un périphérique d'interface en série, suivez ces étapes faciles :

- 1** Alignez le connecteur avec l'ouverture du port.
- 2** Poussez la fiche de connexion dans le port jusqu'à ce qu'elle s'enclenche.
- 3** Serrez les deux vis de fixation situées de chaque côté du connecteur.

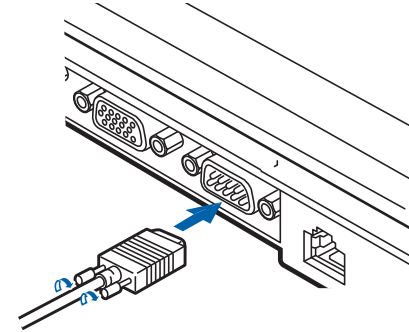


Figure 28. Connexion d'un périphérique en série

Ports USB

Les ports Universal Serial Bus 2.0 (USB) vous permettent de connecter divers périphériques USB tels que des tablettes de jeu externes, des dispositifs de pointage, des claviers et/ou des haut-parleurs. Votre LifeBook est doté de quatre ports USB 2.0 : deux à gauche et un à l'arrière.

Pour connecter un dispositif d'interface parallèle, exécutez ces opérations :

- 1 Aligned le connecteur avec l'ouverture du port.
- 2 Poussez la fiche de connexion dans le port jusqu'à ce qu'elle s'enclenche.

UTILISATEURS DE MICROSOFT WINDOWS VISTA UNIQUEMENT: POUR CONNECTER UN PÉRIPHÉRIQUE USB, EFFECTUEZ L'UNE DES OPÉRATIONS SUIVANTES : VEILLENZ À CONNECTER LE PÉRIPHÉRIQUE AVANT DE METTRE VOTRE ORDINATEUR EN MARCHÉ, OU ATTENDEZ ENVIRON TROIS MINUTES APRÈS LE DÉMARRAGE DU SYSTÈME AVANT DE CONNECTER LE DISPOSITIF USB.



SI VOUS PRÉFÉREZ NE PAS ATTENDRE POUR CONNECTER VOTRE PÉRIPHÉRIQUE USB, VOUS DEVEZ DÉSACTIVER LA FONCTIONNALITÉ DE SUSPENSION SÉLECTIVE. POUR CE FAIRE, ALLEZ À DÉMARRER> PANNEAU DE CONFIGURATION. DANS LE PANNEAU DE GAUCHE, SÉLECTIONNEZ AFFICHAGE CLASSIQUE. CLIQUEZ SUR OPTIONS D'ALIMENTATION> MODIFIER LES PARAMÈTRES DU RÉGIME> MODIFIER LES PARAMÈTRES D'ALIMENTATION AVANCÉS. SÉLECTIONNEZ LES PARAMÈTRES USB, PUIS SÉLECTIONNEZ DÉSACTIVÉ À PARTIR DU MENU DÉROULANT POUR LE RÉGLAGE DE LA SUSPENSION SÉLECTIVE DU PÉRIPHÉRIQUE USB . CLIQUEZ SUR [OK] POUR TERMINER LE PROCESSUS.

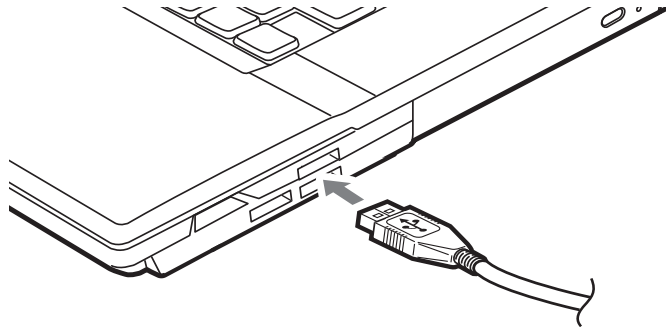


Figure 29. Connexion d'un périphérique USB

Port IEEE 1394

Le port 1394 à 4 broches vous permet de connecter des périphériques numériques compatibles avec la norme IEEE 1394. La norme IEEE 1394 facilite l'utilisation, ainsi que les connexions et déconnexions. Ce port permet un taux de transfert pouvant atteindre 400 Mbit/s. Une application tierce pourrait être nécessaire pour faire fonctionner votre périphérique numérique avec un port 1394.



LE PORT 1394 DE CE SYSTÈME UTILISE UNE CONFIGURATION À QUATRE BROCHES. SI VOUS COMPTEZ L'INTERFACER AVEC DES PÉRIPHÉRIQUES UTILISANT UNE CONFIGURATION À SIX BROCHES, VOUS DEVRIEZ ALORS ACHETER UN ADAPTATEUR.

Pour connecter un périphérique 1394, exécutez ces opérations simples :

- 1 Alignez le connecteur avec l'ouverture du port.
- 2 Poussez la fiche de connexion dans le port jusqu'à ce qu'elle s'enclenche.

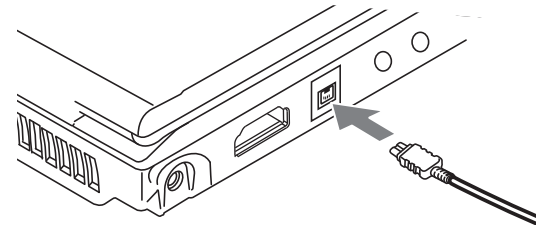


Figure 30. Connexion d'un périphérique IEEE 1394

Prise d'écouteurs

La prise d'écouteurs permet de connecter des écouteurs ou des haut-parleurs externes amplifiés. Vos écouteurs ou haut-parleurs doivent être munis d'une mini-prise stéréo de 3,5 mm (1/8 po). Pour connecter des écouteurs ou des haut-parleurs, exécutez ces opérations simples :

- 1 Alignez le connecteur avec l'ouverture du port.
- 2 Poussez la fiche de connexion dans le port jusqu'à ce qu'elle s'enclenche.



- SELON LA CONFIGURATION DE VOTRE SYSTÈME, LA PRISE D'ÉCOUTEURS PEUT AVOIR DIFFÉRENTS USAGES. SUR CERTAINES CONFIGURATIONS, ELLE SERT DE PRISE D'ÉCOUTEURS STÉRÉO ET DE SORTIE AUDIONUMÉRIQUE OPTIQUE. SUR D'AUTRES, ELLE SERT DE PRISE D'ÉCOUTEURS STÉRÉO, DE SORTIE DE LIGNE OU DE SORTIE AUDIONUMÉRIQUE OPTIQUE.
- SI VOUS BRANCHEZ DES ÉCOUTEURS SUR LA PRISE D'ÉCOUTEURS, LES HAUT-PARLEURS INTÉGRÉS SERONT DÉSACTIVÉS.

Prise de micro

La prise de microphone permet de connecter un microphone mono externe. Votre microphone doit être muni d'une mini fiche de connexion mono de 3,5 mm (1/8 po) pour qu'il puisse être branché sur la prise microphone de votre ordinateur portable.

- 1 Alignez le connecteur avec l'ouverture du port.
- 2 Poussez la fiche de connexion dans le port jusqu'à ce qu'elle s'enclenche.



- SELON LA CONFIGURATION DE VOTRE SYSTÈME, LA PRISE DE MICROPHONE PEUT AVOIR UN OU DEUX USAGES. SUR CERTAINES CONFIGURATIONS, ELLE SERT DE PRISE DE MICROPHONE MONO. SUR D'AUTRES, ELLE SERT AUSSI DE PRISE DE MICRO STÉRÉO OU D'ENTRÉE DE LIGNE.

Port vidéo externe

Le port vidéo externe vous permet de connecter un moniteur externe ou un projecteur ACL. Pour connecter un périphérique vidéo externe, effectuez ces opérations simples :

- 1** Alignez le connecteur avec l'ouverture du port.
- 2** Poussez la fiche de connexion dans le port jusqu'à ce qu'elle s'enclenche.
- 3** Serrez les deux vis de fixation situées de chaque côté du connecteur.

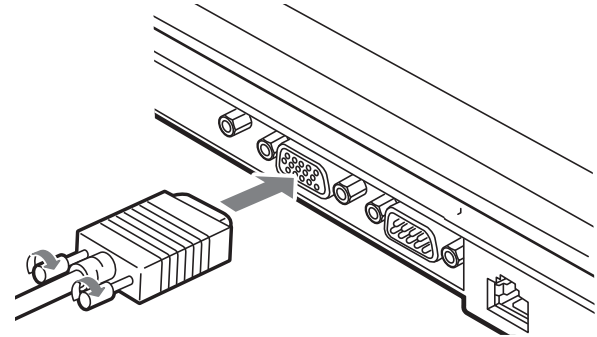


Figure 31. Branchement d'un périphérique vidéo externe



Chapitre 4

Dépannage de votre LifeBook

Dépannage

Il est possible que vous rencontriez parfois des problèmes simples de configuration ou d'exploitation pouvant être résolus sur le champ, ou des problèmes au niveau d'un périphérique pouvant être résolus en remplaçant l'équipement. Les informations contenues dans cette section vous aideront à isoler et résoudre certains de ces problèmes simples et à identifier les pannes qui nécessitent une réparation.

Identification du problème

Si vous éprouvez un problème, consultez la procédure suivante avant d'entreprendre un processus de dépannage complexe :

- 1 Arrêtez votre ordinateur portable LifeBook.
- 2 Assurez-vous que l'adaptateur secteur est connecté à votre ordinateur portable et à une source d'alimentation secteur active.
- 3 Assurez-vous que toute carte insérée dans la fente pour carte PC Card est bien en place. Vous pouvez également enlever la carte de la fente pour vous assurer qu'elle n'est pas la raison de la panne.
- 4 Assurez-vous que tous les périphériques connectés aux connecteurs externes sont bien branchés. Vous pouvez également déconnecter ces périphériques pour vous assurer qu'ils ne sont pas à l'origine de la panne.
- 5 Allumez votre ordinateur portable. Assurez-vous qu'il soit resté hors fonction pendant 10 secondes au moins avant de le remettre en marche.

- 6 Laissez s'exécuter la procédure d'amorçage.
- 7 Si le problème n'a pas été résolu, consultez le tableau suivant pour obtenir des renseignements plus détaillés concernant le dépannage.



SI VOUS PRENEZ EN NOTE TOUT CE QUE VOUS ESSAYEZ, LE SERVICE D'ASSISTANCE POURRA VOUS AIDER PLUS RAPIDEMENT EN VOUS DONNANT DES SUGGESTIONS SUPPLÉMENTAIRES AU TÉLÉPHONE.

- 8 Si vous avez essayé les solutions suggérées par le tableau de dépannage sans succès, communiquez avec le service d'assistance :

Numéro sans frais : 1-800-8Fujitsu (1-800-838-5487)

Site Web : <http://www.computers.us.fujitsu.com/support>.

Avant de nous contacter, veuillez avoir les informations suivantes à portée de main pour que notre préposé du service à la clientèle puisse vous venir en aide le plus rapidement possible :

- Nom du produit
- Numéro de configuration du produit
- Numéro de série du produit
- Date d'achat
- Conditions dans lesquelles le problème est survenu
- Texte des messages d'erreur reçus
- Types de périphériques connectés, si applicable

Pour les numéros de série et de configuration, consultez l'étiquette de configuration sur le dessous de votre ordinateur.

Problèmes spécifiques

Utilisation du tableau de dépannage

Lorsque vous éprouvez des problèmes avec votre ordinateur portable LifeBook, essayez de trouver les symptômes sous la colonne Problème du tableau suivant pour la fonction qui vous cause des problèmes. Vous trouverez une description des causes communes pour ce symptôme sous la colonne Cause possible ; le cas échéant, ce que vous pouvez faire pour corriger la situation se trouve sous la colonne Solutions possibles. Il est possible que certaines causes et solutions possibles ne s'appliquent pas à votre ordinateur.

Tableau de dépannage

Problème	Page	Problème	Page
Problèmes audio	page 105	Problèmes de modem	page 109
Problèmes de lecteur DVD/CD-ROM	page 106	Problèmes de dispositifs parallèles, série et USB	page 110
Problèmes de duplicateur de ports	page 107	Problèmes de carte PC Card	page 111
Problèmes de lecteur de disquette.	page 107	Problèmes d'alimentation électrique	page 111
Problèmes de disque dur	page 108	Problèmes d'arrêt et de démarrage.	page 115
Problèmes de clavier ou de souris	page 108	Problèmes vidéo	page 116
Problèmes de mémoire	page 109	Problèmes divers.	page 119

Problème	Cause possible	Solutions possibles
Problèmes audio		
Aucun son ne sort des haut-parleurs incorporés.	Le volume est réglé à un niveau très bas.	Réglez le volume de votre ordinateur et de votre système d'exploitation. Pour ce faire, utilisez la combinaison de touches [Fn+F9] sur votre clavier. Gardez la touche [Fn] enfoncée et appuyez plusieurs fois sur [F9] pour augmenter le volume sonore de l'ordinateur.
	Le volume logiciel est réglé à un niveau trop bas.	Le réglage manuel du volume avec les touches du clavier devrait changer dynamiquement le niveau de volume du système d'exploitation (voir ci-dessus). Si cela ne fonctionne pas, réglez les paramètres de volume dans l'application utilisée.
	Des écouteurs sont branchés sur votre	Le branchement d'écouteurs désactive les hauts-parleurs incorporés, enlevez les écouteurs.
	Le lecteur de logiciel n'est pas bien configuré.	Le pilote audio peut être installé ou réinstallé à l'aide du CD de pilotes et d'applications livré avec votre Fujitsu. Consultez la documentation de votre application et de votre système d'exploitation pour obtenir de l'aide.
	Les haut-parleurs ont été bloqués en utilisant l'icône Volume située dans la zone de notification.	Cliquez sur l'icône Volume dans la barre d'outils, en bas à droite de l'écran (elle ressemble à un haut-parleur). Si la case Muet est cochée, cliquez dessus pour la décocher. Vous pouvez aussi utiliser la combinaison de touches [Fn+F3] pour activer ou désactiver le volume. Appuyez sur [F3] en enfonçant la touche [Fn] pour activer ou désactiver la fonction Silence (ou Muet).

Problème	Cause possible	Solutions possibles
Problèmes de lecteur DVD/CD-RW/CD-ROM		
L'ordinateur portable LifeBook ne reconnaît pas les Blu-rayDVD/CD-RW/CD-ROM.	Le disque n'est pas bien logé dans le cercle surélevé au centre du lecteur.	Ouvrez le plateau du lecteur optique et réinstallez correctement le disque.
	Le tiroir du lecteur optique n'est pas bien fermé.	Appuyez sur le devant du tiroir du lecteur optique jusqu'à ce que le verrou s'enclenche. Si cela ne fonctionne pas, déverrouillez et retirez le lecteur optique modulaire du compartiment multifonction, puis réinsérez-le jusqu'à ce qu'il s'enclenche. Cela permet de bien le brancher.
	Mauvais logiciel lecteur de DVD ou aucun logiciel lecteur de DVD installé.	Installez un logiciel de lecture de DVD (<i>pour de plus amples informations, voir « Logiciels du lecteur multimédia » en page 72</i>).
	Un mauvais identificateur d'unité a été utilisé pour le disque.	Vérifiez si l'identificateur d'unité utilisé par l'application est le même que celui utilisé par le système d'exploitation. Lorsque le système d'exploitation démarre à partir d'un DVD/CD, les identifications des lecteurs sont automatiquement ajustées. Veuillez noter que l'identification d'un lecteur peut être changée avec l'outil Gestion des disques situé dans Outils administratifs -> Gestion de l'ordinateur .
	Le DVD/CD-RW/CD-ROM est sale ou défectueux.	Essayez le disque avec un chiffon de nettoyage doux, puis réinsérez-le. S'il ne fonctionne toujours pas, essayez un autre disque (DVD/CD-RW/CD-ROM) dans le lecteur.
Le voyant d'accès au lecteur optique du tableau de voyants d'état clignote lorsque le lecteur ne contient pas de disque ou qu'il n'y a pas de lecteur optique installé.	La fonction Windows d'insertion automatique est active et vérifie si un disque est prêt à être lu.	Cela est normal. Toutefois, vous pouvez désactiver cette fonction.

Problème	Cause possible	Solutions possibles
Problèmes de duplicateur de ports		
Remarque : Assurez-vous d'arrêter votre ordinateur portable LifeBook avant d'ajouter une imprimante au port parallèle du duplicateur de ports.		
Le système ne démarre pas s'il est installé dans le duplicateur de ports optionnel.	L'adaptateur c.a. du duplicateur de ports n'est pas branché.	Alimentez le duplicateur de ports.
	L'ordinateur portable n'est pas bien logé dans le duplicateur de ports.	Retirez votre ordinateur et reconnectez-le.
Problèmes de lecteur de disquette		
Vous ne pouvez pas accéder au lecteur de disquette externe.	Vous avez essayé d'écrire sur une disquette protégée contre l'écriture.	Éjectez la disquette et réglez-la à Autorisation d'écriture.
	La disquette n'est pas bien chargée.	Éjectez la disquette, vérifiez l'orientation et réinsérez-la.
	Le lecteur n'est peut-être pas bien installé.	Retirez et réinstallez votre lecteur de disquette.
	La sécurité est réglée de sorte à protéger l'accès aux données de la disquette.	Vérifiez votre mot de passe et vos paramètres de sécurité.

Problème	Cause possible	Solutions possibles
Problèmes de disque dur		
Vous ne pouvez pas accéder à votre disque dur.	Un mauvais identificateur d'unité a été utilisé par une application lorsqu'un disque d'amorçage a été utilisé pour démarrer votre ordinateur.	Assurez-vous que la lettre d'unité utilisée par l'application est bien celle qu'utilise le système d'exploitation. Lorsque le système d'exploitation est démarré à partir d'un CD, les identifications du lecteur sont ajustées automatiquement.
	Les paramètres de sécurité exigent un mot de passe pour le démarrage du système d'exploitation.	Vérifiez votre mot de passe et vos paramètres de sécurité.
Problèmes de clavier ou de souris		
Le clavier intégré ne semble pas fonctionner.	L'ordinateur portable est entré en mode sommeil.	Appuyez sur le bouton d'alimentation/veille/reprise .
	L'application a verrouillé votre clavier.	Essayez d'utiliser votre dispositif de pointage intégré pour redémarrer votre système.
Vous avez installé un clavier ou une souris externe et il/elle ne semble pas fonctionner.	Votre périphérique externe n'est pas bien installé.	Réinstallez votre périphérique. Voir « Ports de périphériques » en page 92.
	Le logiciel de votre système d'exploitation n'est pas configuré avec le bon pilote pour ce périphérique.	Consultez la documentation du périphérique et du système d'exploitation, puis installez le pilote approprié.
	Votre système s'est planté.	Essayez de redémarrer votre ordinateur portable.

Problème	Cause possible	Solutions possibles
Vous avez connecté un clavier externe ou une souris et il/elle semble bloquer le système.	Le logiciel de votre système d'exploitation n'est pas configuré avec le bon pilote pour ce périphérique.	Consultez la documentation du périphérique et du système d'exploitation, puis installez le pilote approprié.
Problèmes de mémoire		
L'écran de démarrage n'indique pas la quantité de mémoire installée correctement.	Votre module de mémoire additionnelle n'est pas bien installé.	Enlevez et réinstallez votre module de mémoire additionnelle. <i>Voir « Module de mémoire additionnelle » en page 87.</i>
	Votre mémoire est défectueuse.	Vérifiez les messages de l'auto-diagnostic de démarrage (POST). <i>Voir « Messages de l'auto-diagnostic de mise sous tension » en page 120.</i>
Problèmes de modem		
Messages à propos du fonctionnement du modem.	Les messages sur le fonctionnement du modem sont générés par l'application en cours d'exécution.	Pour de plus amples informations, consultez la documentation de votre logiciel.

Problème	Cause possible	Solutions possibles
Problèmes de série et USB		
<p>You have installed a parallel, serial, o USB device. Votre ordinateur portable LifeBook ne reconnaît pas le périphérique, ou ce dernier ne semble pas fonctionner de façon appropriée.</p>	<p>Votre périphérique n'est pas bien installé.</p>	<p>Retirez et réinstallez votre périphérique. Voir « Ports de périphériques » en page 92.</p>
	<p>Votre périphérique pourrait ne pas disposer du bon pilote de logiciel actif.</p>	<p>Consultez la documentation relative à votre logiciel et activez le bon pilote.</p>
	<p>Dans Windows Vista, vous devez soit connecter votre périphérique USB avant le démarrage, soit attendre quelques minutes après le démarrage pour le connecter. Vous devez attendre quelques minutes</p>	<p>(Utilisateurs de Microsoft Windows Vista uniquement): Pour connecter un périphérique USB, effectuez l'une des opérations suivantes : Veillez à connecter le périphérique avant de mettre votre ordinateur en marche, OU attendez environ trois minutes après le démarrage du système avant de connecter le périphérique. Si vous préférez ne pas attendre le temps prévu pour connecter votre périphérique USB, vous devez désactiver la fonctionnalité de suspension sélective. Pour ce faire, allez à Démarrer> Panneau de configuration. Dans le panneau de gauche, sélectionnez Affichage classique. Cliquez sur Options d'alimentation> Modifier les paramètres du régime> Modifier les paramètres d'alimentation avancés. Sélectionnez les paramètres USB, puis sélectionnez Désactivé à partir du menu déroulant pour le réglage de la suspension sélective du périphérique USB . Cliquez sur [OK] pour terminer le processus.</p>
	<p>Le port parallèle est réglé sur la sortie seulement.</p>	<p>Vérifiez la configuration du port parallèle dans le BIOS et réglez le paramètre à Bidirectionnel ou ECP.</p>
	<p>Le périphérique a peut-être été installé pendant qu'une application était en exécution et l'ordinateur portable ne reconnaît donc pas son installation.</p>	<p>Fermez l'application et redémarrez votre ordinateur portable.</p>

Problème	Cause possible	Solutions possibles
Problèmes de carte PC Card/ExpressCard		
Une carte insérée dans la fente PC Card ou ExpressCard ne fonctionne pas ou bloque le système.	La carte est mal installée.	Retirez et réinstallez la carte. <i>Voir « Cartes PC Card/ExpressCard™ » en page 81.</i>
	La carte a peut-être été installée pendant qu'une application était en exécution et votre ordinateur portable n'a donc pas détecté son installation.	Fermez l'application et redémarrez votre ordinateur portable.
	Votre logiciel pourrait ne pas disposer du bon pilote actif.	Consultez la documentation relative à votre logiciel et activez le bon pilote.
	L'adresse d'E/S sélectionnée pour la carte est incorrecte.	Consultez la documentation de votre carte PC Card pour déterminer l'adresse d'E/S requise. Modifiez les paramètres dans le Gestionnaire de périphériques.

Problème	Cause possible	Solutions possibles
Problèmes d'alimentation électrique		
Lorsque vous allumez le LifeBook, rien ne semble se produire.	La batterie principale installée est complètement déchargée, il n'y a pas de deuxième batterie en option installée ou l'adaptateur n'est pas branché.	Vérifiez le tableau de voyants d'état pour déterminer la présence et l'état des batteries. Voir « <i>Tableau de voyants d'état</i> » en page 25. Installez une batterie chargée ou branchez un adaptateur d'alimentation.
	La batterie primaire est installée, mais est défectueuse.	Vérifiez le tableau de voyants d'état pour déterminer la présence et l'état des batteries. Voir « <i>Tableau de voyants d'état</i> » en page 25. Si un voyant indique une batterie court-circuitée, enlevez la batterie et utilisez une autre source d'énergie ou remplacez la batterie.
	La batterie ou les batteries sont faibles.	Vérifiez le tableau de voyants d'état pour déterminer la présence et l'état des batteries. Voir « <i>Tableau de voyants d'état</i> » en page 25. Utilisez un adaptateur d'alimentation en attendant que la batterie se charge ou installez une batterie chargée.
	L'adaptateur de courant n'est pas bien branché.	Vérifiez si votre adaptateur est branché de façon appropriée. Voir « <i>Sources d'alimentation</i> » en page 48.
	L'adaptateur secteur de courant (secteur ou auto/avion) est défaillant.	Essayez un autre adaptateur de courant ou installez une batterie secondaire optionnelle chargée.
	L'adaptateur n'obtient aucune alimentation de la prise murale, de la prise pour adaptateur sur le siège de l'avion ou de l'allume-cigarette dans la voiture.	Branchez le cordon d'alimentation secteur dans une autre prise murale et vérifiez si un interrupteur ou un disjoncteur coupe le courant. Si vous utilisez un adaptateur auto/avion dans un véhicule, assurez-vous que la clé de contact est à la position On (marche) ou Acc. (accessoires).

Problème	Cause possible	Solutions possibles
Lorsque vous allumez le LifeBook, rien ne semble se produire. (suite)	L'adaptateur de courant (secteur ou auto/avion) est défectueux.	Essayez un autre adaptateur de courant ou installez une batterie secondaire optionnelle chargée.
Votre ordinateur portable LifeBook s'éteint tout seul.	Les paramètres de gestion d'alimentation sont réglés à des temporisations (délais d'inactivité) automatiques trop courtes par rapport à vos besoins.	Appuyez sur n'importe quelle touche sur le clavier, ou déplacez votre souris pour restaurer le fonctionnement. Si cela ne fonctionne pas, appuyez sur le bouton d'alimentation/veille/reprise. Vérifiez vos paramètres de gestion de consommation d'énergie, ou fermez vos applications et allez dans le menu Options d'alimentation du Panneau de configuration pour ajuster les valeurs de temporisation afin qu'elle réponde mieux à vos besoins.
	Votre batterie est défectueuse.	Consultez le tableau de voyants d'état pour connaître l'état des batteries et remplacez ou retirez les batteries court-circuitées. <i>Voir « Tableau de voyants d'état » en page 25.</i>
	Votre adaptateur d'alimentation est tombé en panne ou a perdu sa source d'énergie.	Assurez-vous que l'adaptateur est branché et que la prise est alimentée.
	L'ordinateur est alimenté par batterie et vous n'avez pas tenu compte d'un avertissement de batterie faible ; l'ordinateur est donc maintenant en mode « veille car batterie épuisée ».	Installez un adaptateur de courant puis appuyez sur le bouton d'alimentation/veille/reprise. <i>Voir « Sources d'alimentation » en page 48.</i>
Le LifeBook ne fonctionne pas lorsqu'il est alimenté uniquement par batterie.	Aucune batterie n'est installée.	Installez une batterie chargée.
	Les batteries installées sont épuisées.	Remplacez la batterie par une batterie chargée ou branchez un adaptateur d'alimentation.

Problème	Cause possible	Solutions possibles
Le LifeBook ne fonctionne pas lorsqu'il est alimenté uniquement par batterie. (suite)	Les batteries installées ne sont pas bien connectées.	Vérifiez si les batteries sont bien connectées en les réinstallant.
	Vos batteries installées sont défectueuses.	Consultez le tableau de voyants d'état pour connaître l'état des batteries et remplacez ou retirez les batteries court-circuitées. <i>Voir « Tableau de voyants d'état » en page 25.</i>
Les batteries semblent se décharger trop rapidement.	Vous exécutez une application qui utilise beaucoup d'énergie.	Dans la mesure du possible, utilisez une batterie primaire et une batterie secondaire optionnelle et/ou un adaptateur pour cette application.
	Les fonctions d'économies d'énergie sont peut-être désactivées.	Consultez le menu Options d'alimentation du Panneau de configuration pour changer les paramètres en fonction de vos besoins.
	La luminosité est réglée au maximum.	Réduisez la luminosité. Plus la luminosité est élevée, plus l'écran d'affichage consomme de l'énergie.
	Les batteries installées sont vieilles.	Remplacez les batteries.
	Les batteries ont été exposées à des températures élevées.	Remplacez les batteries.
	Les batteries sont trop chaudes ou trop froides.	Rétablissez la température opérationnelle de l'ordinateur à la valeur normale. L'icône de chargement sur le tableau de voyants d'état clignote lorsque la batterie est en dehors de la plage de fonctionnement.

Problème	Cause possible	Solutions possibles
Problèmes d'arrêt et de démarrage		
Le bouton de veille/reprise ne fonctionne pas.	Le bouton d'alimentation/veille/reprise est désactivé.	Sous Windows XP, allez dans le Panneau de configuration, cliquez sur -> Options d'alimentation puis sur l'onglet Avancé. Dans la zone contenant les boutons d'alimentation, sélectionnez l'option qui vous convient. Sous Windows Vista/7, sélectionnez l'option « Choisir ce que fait le bouton d'alimentation ».
	Il est possible qu'il y ait un conflit entre logiciels.	Fermez toutes les applications et essayez le bouton à nouveau.
Le système se met en marche et affiche les informations sur la mise en marche, mais n'est pas en mesure de charger le système d'exploitation.	Vous avez un système protégé qui requiert un mot de passe pour charger votre système d'exploitation.	Assurez-vous d'avoir le bon mot de passe. Accédez à l'utilitaire de configuration et vérifiez les paramètres de sécurité, puis modifiez-les en conséquence. Voir « <i>Utilitaire de configuration du BIOS</i> » en page 55.
	Le disque dur interne n'a pas été détecté.	Essayez de détecter automatiquement le disque dur interne en utilisant l'utilitaire de configuration du BIOS ou le sous-menu Maître principal situé dans le Menu principal.
Un message d'erreur s'affiche sur l'écran durant la procédure d'amorçage.	L'auto-diagnostic de mise sous tension (POST) a détecté un problème.	Lisez les messages de l'auto-test pour déterminer la signification et la sévérité du problème. Tous les messages n'indiquent pas des erreurs ; certains sont simplement des indicateurs d'état. Voir « <i>Messages de l'auto-diagnostic de mise sous tension</i> » en page 120.
Votre ordinateur portable semble changer les paramètres de configuration lorsque vous le démarrez.	Les modifications que vous avez apportées à la configuration du BIOS n'ont pas été sauvegardées lorsque vous avez quitté l'utilitaire.	Assurez-vous de sélectionner l'option Sauvegarder les changements et quitter lorsque vous quittez l'utilitaire de configuration du BIOS.
	La batterie de rétention du BIOS CMOS fait défaut.	Communiquez avec le service d'assistance concernant les réparations. Cela n'est pas une pièce réparable par l'utilisateur mais elle est censée avoir une durée normale de vie de 3 à 5 ans.

Problème	Cause possible	Solutions possibles
L'écran ne s'allume pas au démarrage ou à la sortie du mode sommeil/veille.	Vous avez installé le Tableau de sécurité et d'applications du LifeBook.	Consultez les indicateurs d'état pour voir si l'icône de sécurité est affichée. Le cas échéant, entrez votre mot de passe <i>Voir « Tableau de voyants d'état » en page 25.</i>
Problèmes vidéo		
L'écran d'affichage intégré demeure vide lorsque vous mettez en marche votre ordinateur LifeBook.	L'angle de l'affichage et les paramètres de luminosité ne sont pas adaptés à vos conditions d'éclairage.	Déplacez l'écran et actionnez la commande de luminosité jusqu'à ce que vous ayez une visibilité adéquate. Pour régler la luminosité, maintenez la touche [Fn] enfoncée et appuyez sur [F6] ou [F7].
	L'angle de l'affichage et les paramètres de luminosité ne sont pas adaptés à vos conditions d'éclairage.	Déplacez l'écran et actionnez la commande de luminosité jusqu'à ce que vous ayez une visibilité adéquate. Pour régler la luminosité, maintenez la touche [Fn] enfoncée et appuyez sur [F6] ou [F7].
	L'angle de l'affichage et les paramètres de luminosité ne sont pas adaptés à vos conditions d'éclairage.	Déplacez l'écran et actionnez la commande de luminosité jusqu'à ce que vous ayez une visibilité adéquate. Pour régler la luminosité, maintenez la touche [Fn] enfoncée et appuyez sur [F6] ou [F7].
	Les temporisations de gestion de l'alimentation peuvent être trop courtes et vous n'avez pas remarqué que l'écran s'est allumé, puis éteint de nouveau.	Gardez la touche [Fn] enfoncée et appuyez sur la touche [F10] pour changer votre sélection et choisir où envoyer votre affichage. Chaque fois que vous appuyez sur ces touches, vous passez au choix suivant. Les choix, par ordre, sont : affichage intégré, moniteur externe, affichage intégré et moniteur externe ensemble.

Problème	Cause possible	Solutions possibles
L'ordinateur portable s'est mis en marche en émettant une série de tonalités et votre écran est vide.	L'auto-diagnostic de mise sous tension a détecté une anomalie qui ne permet pas à l'écran d'affichage de fonctionner.	Communiquez avec le service d'assistance.
L'écran devient vide par lui-même après avoir été utilisé.	L'ordinateur portable s'est retrouvé en Temporisation vidéo, en Sommeil ou en Veille prolongée car vous ne l'avez pas utilisé pendant un certain moment.	Appuyez sur n'importe quelle touche sur le clavier, ou déplacez votre souris pour restaurer le fonctionnement. Si cela ne fonctionne pas, appuyez sur le bouton d'alimentation/veille/reprise. Check your power management settings in the Power Options control panel.
	Les temporisations de gestion de l'alimentation peuvent être trop courtes et vous n'avez pas remarqué que l'écran s'est allumé, puis éteint de nouveau.	Appuyez sur n'importe quelle touche sur le clavier, ou déplacez votre souris pour restaurer le fonctionnement. Si cela ne fonctionne pas, appuyez sur le bouton d'alimentation/veille/reprise. (L'écran d'affichage peut avoir été arrêté par le mode sommeil, veille automatique ou temporisation vidéo).
L'écran ne s'allume pas au démarrage ou à la sortie du mode sommeil/veille.	Le système est protégé par mot de passe.	Vérifiez le tableau de voyants d'état pour vous assurer que l'icône Sécurité clignote. Le cas échéant, entrez votre mot de passe.
L'écran d'affichage ne se ferme pas.	Un corps étranger (tel qu'un trombone) est coincé entre l'écran et le clavier.	Retirez tous les objets étrangers du clavier.

Problème	Cause possible	Solutions possibles
L'écran affiche des zones claires ou sombres.	Si ces zones sont très petites et si leur nombre est restreint, cela est normal pour un grand écran ACL.	Ne faites rien.
	Si les zones sont nombreuses ou suffisamment grandes pour perturber vos besoins d'exploitation,	L'écran est défectueux : communiquez avec le service d'assistance.
L'écran est sombre lorsqu'il fonctionne sur l'alimentation par batterie.	La valeur par défaut de l'utilitaire Gestion de l'alimentation est réglée sur Faible luminosité pour économiser l'énergie.	Appuyez sur [Fn] + [F7] pour augmenter la luminosité ou double-cliquez sur l'indicateur de batterie pour ajuster le Réglage de l'alimentation dans les Paramètres de la batterie.
Vous avez connecté un moniteur externe, mais il n'affiche aucune information.	Votre moniteur externe n'est pas bien installé.	Réinstallez le moniteur. <i>Voir « Port vidéo externe » en page 101.</i>
	Votre système d'exploitation n'est pas configuré avec le bon pilote pour ce périphérique.	Consultez la documentation du périphérique et du système d'exploitation, puis installez le pilote approprié.
Vous avez connecté un moniteur externe et il ne s'allume pas.	Votre moniteur externe n'est pas compatible avec votre ordinateur portable LifeBook.	Consultez la documentation de votre moniteur, ainsi que les conseils concernant le moniteur externe dans la section Spécifications. <i>Voir « Spécifications techniques du système » en page 143.</i>

Problème	Cause possible	Solutions possibles
Problèmes divers		
Un message d'erreur s'affiche sur l'écran durant l'exécution d'une application.	Les applications génèrent souvent leurs propres messages d'erreur.	Consultez la documentation et l'aide de l'application. Tous les messages n'indiquent pas des erreurs ; certains sont simplement des indicateurs d'état.

Messages de l'auto-diagnostic de mise sous tension

Voici une liste alphabétique des messages d'erreur et d'état que le BIOS Phoenix et/ou votre système d'exploitation peuvent générer ainsi qu'une explication pour chacun d'eux. Les messages d'erreurs sont marqués d'un *. Si un message d'erreur est affiché et ne se trouve pas dans la liste, prenez-le en note et vérifiez-le dans la documentation de votre système d'exploitation (à l'écran et dans le manuel imprimé). Si vous ne trouvez aucune référence au message et que sa signification n'est pas claire, contactez le service d'assistance.

nxxx de la mémoire Cache SRAM accepté

nxxx est la capacité de la mémoire cache du système en kilo-octets testée avec succès par l'auto-diagnostic de démarrage (ce message apparaîtra seulement si avez une carte PC Card SRAM installée).

***Erreur du lecteur de disquette A ou erreur du lecteur de disquette B.**

Le lecteur A : ou B : est présent mais a échoué les tests de disquette de l'auto-diagnostic de mise sous tension du BIOS. Vérifiez si le lecteur est défini avec le type de disquette approprié dans l'utilitaire de configuration, Voir « Utilitaire de configuration du BIOS » en page 55. et que le lecteur de disquette est bien installé. Si le lecteur de disquette est défini et installé de façon appropriée, essayez de ne pas l'utiliser et communiquez avec votre représentant de soutien.

***Échec de la mémoire RAM étendue au décalage : nxxx**

La mémoire étendue ne fonctionne pas ou n'est pas bien configurée. Si vous avez un module de mémoire additionnelle, vérifiez s'il est bien installé. Si c'est le cas, vérifiez la configuration de Windows pour vous assurer qu'il ne tente pas d'utiliser de la mémoire non disponible, puis communiquez avec le service d'assistance.

nxxx RAM étendue acceptée

nxxx est la capacité de mémoire en kilo-octets qui a été testée avec succès.

***Bits défaillants : nnnn nombre hexadécimal nnnn**

Ceci est une carte des bits donnant l'adresse (mémoire système, mémoire étendue ou mémoire fantôme) où le test de mémoire a échoué. Chaque 1 (un) sur la carte indique un bit défaillant. Cette erreur est grave car elle pourrait vous causer une perte de données si vous continuez. Communiquez avec le service d'assistance.

***Défectuosité de disque fixe x ou Défectuosité du contrôleur du disque fixe (à savoir x = 1-4)**

Le disque fixe ne fonctionne pas ou n'est pas bien configuré. Cela pourrait signifier que le type de disque dur identifié dans votre utilitaire de configuration ne concorde pas avec le type détecté par l'auto-diagnostic de mise sous tension. Exécutez l'utilitaire de configuration pour vérifier les paramètres du type de disque dur et corrigez-les si nécessaire. Si les paramètres sont corrects et que le message apparaît lorsque vous redémarrez votre système, il pourrait y avoir une grave erreur qui peut vous faire perdre des données si vous continuez. Communiquez avec le service d'assistance.

***Type de lecteur A incorrect - exécution de la CONFIGURATION**

Type de lecteur de disquette A : mal identifié dans la Configuration. Cela pourrait signifier que le type de lecteur de disquette identifié dans votre utilitaire de configuration ne concorde pas avec le type détecté par l'auto-diagnostic de mise sous tension. Exécutez l'utilitaire de configuration pour corriger cette irrégularité.

***Type de lecteur B incorrect - exécution de la CONFIGURATION**

Type de lecteur de disquette B : mal identifié dans la Configuration. Cela pourrait signifier que le type de lecteur de disquette identifié dans votre utilitaire de configuration ne concorde pas avec le type détecté par l'auto-diagnostic de mise sous tension. Exécutez l'utilitaire de configuration pour corriger cette irrégularité.

***Type de support NVRAM (support de mémoire vive non volatile) invalide**

Problème d'accès à la mémoire NVRAM. Au cas où ce message s'afficherait, ce qui est peu probable, vous pourriez avoir certains problèmes d'affichage. Vous pouvez continuer à utiliser votre ordinateur mais vous devriez communiquer avec le service d'assistance pour plus d'informations.

***Erreur du contrôleur de clavier**

Le test du contrôleur de clavier a échoué. Vous pourriez avoir besoin de remplacer votre clavier ou le contrôleur de votre clavier mais vous pourriez utiliser un clavier externe en attendant. Communiquez avec le service d'assistance.

***Erreur de clavier**

Le clavier ne fonctionne pas. Vous pourriez avoir besoin de remplacer votre clavier ou le contrôleur de votre clavier mais vous pourriez utiliser un clavier externe en attendant. Communiquez avec le service d'assistance.

***Erreur de clavier nn**

Le BIOS a découvert une touche bloquée et affiche le code de balayage pour la touche bloquée. Vous pourriez avoir besoin de remplacer votre clavier mais vous pourriez utiliser un clavier externe en attendant. Communiquez avec le service d'assistance.

***Le type de moniteur ne correspond pas au CMOS - exécution de la CONFIGURATION**

Le type de moniteur n'est pas bien identifié dans la Configuration. Cette erreur signifie probablement que votre BIOS est corrompu. Exécutez l'utilitaire de configuration du BIOS et configurez tous les paramètres aux valeurs par défaut. Si vous obtenez toujours cette erreur, communiquez avec le service d'assistance.

***Système d'exploitation introuvable**

Le système d'exploitation ne peut pas être localisé ni sur le lecteur A: ni sur le lecteur C: Accédez à l'utilitaire de configuration et vérifiez si le disque fixe et le lecteur A: sont bien identifiés et si la séquence d'amorçage est bien configurée. Le système d'exploitation devrait être sur le lecteur C: sauf si vous avez changé sensiblement votre installation. Si l'utilitaire de configuration est bien installé, votre disque dur pourrait être corrompu.

***Contrôle de parité 1 nnnn**

Erreur de parité trouvée dans le bus système. Le BIOS essaye de localiser l'adresse et de l'afficher sur l'écran. S'il n'arrive pas à localiser l'adresse, l'écran affichera ???? Cette défectuosité risque de détruire des données. Communiquez avec le service d'assistance.

***Contrôle de parité 2 nnnn**

Erreur de parité trouvée dans le bus d'entrée-sortie. Le BIOS essaye de localiser l'adresse et de l'afficher sur l'écran. S'il n'arrive pas à localiser l'adresse, l'écran affichera ????. Cette défectuosité risque de détruire des données. Communiquez avec le service d'assistance.

***Appuyez sur <F1> pour reprendre, sur <F2> pour CONFIGURER**

Affiché après tout message d'erreur récupérable. Appuyez sur [F1] pour continuer le démarrage ou sur [F2] pour accéder à l'utilitaire de configuration du BIOS et modifier la configuration.

***Amorçage précédent incomplet – Configuration par défaut utilisée**

L'auto-diagnostic de mise sous tension précédent n'a pas été complété avec succès. L'auto-diagnostic de mise sous tension chargera les valeurs par défaut et proposera d'exécuter la Configuration. Si l'erreur précédente a été causée par des valeurs incorrectes et que celles-ci ne sont pas corrigées, le prochain amorçage aura de fortes possibilités d'échouer également. Si l'utilisation des paramètres par défaut ne vous permet pas d'exécuter avec succès la séquence d'amorçage, vous devriez éteindre le système et communiquer avec le service d'assistance.

***Erreur de l'horloge de temps réel**

L'horloge de temps réel a échoué le test du BIOS. Une réparation de la carte mère pourrait être nécessaire. Communiquez avec le service d'assistance.

***Échec de la mémoire fantôme RAM au décalage : nnnn**

La mémoire fantôme RAM a échoué au décalage nnnn du bloc 64k à partir duquel l'erreur a été détectée. Vous risquez de subir une corruption des données si vous continuez. Communiquez avec le service d'assistance.

nnnn Mémoire RAM fantôme acceptée

nnnn est la capacité de la mémoire fantôme RAM en kilo-octets qui a été testée avec succès.

***Batterie du système épuisée. Remplacez-la et exécutez la CONFIGURATION**

La batterie de rétention de la mémoire RAM du CMOS BIOS est épuisée. Celle-ci fait partie de votre BIOS et c'est une batterie enfichable qui requiert l'aide d'un technicien d'assistance pour la changer. Vous pouvez continuer d'utiliser votre ordinateur mais vous aurez à utiliser les valeurs par défaut de votre utilitaire de configuration ou à reconfigurer votre utilitaire de configuration chaque fois que vous éteignez votre ordinateur portable. Cette batterie a une durée de vie prévue de 2 à 3 ans.

Système BIOS doublé

Système BIOS copié sur la mémoire RAM fantôme.

***Mauvais total de contrôle du CMOS du système – Exécution de la CONFIGURATION**

La mémoire RAM du CMOS BIOS a été corrompue ou mal modifiée, peut-être par un programme d'application qui change les données stockées dans la mémoire du BIOS. Exécutez la configuration et reconfigurez le système.

***Échec de la mémoire RAM système au décalage : nnnn**

La mémoire du système a échoué au décalage nnnn du bloc 64k à partir duquel l'erreur a été détectée. Cela veut dire qu'il y a une erreur dans votre mémoire intégrée. Si vous continuez d'utiliser votre ordinateur, vous risquez de corrompre vos données. Communiquez avec le service d'assistance concernant les réparations.

nnnn de la mémoire RAM système accepté

nnnn est la capacité de la mémoire système en kilo-octets qui a été testée avec succès.

***Erreur du temporisateur du système**

Le test du temporisateur a échoué. L'horloge principale qui fait fonctionner l'ordinateur est défectueuse. Une réparation de la carte mère est nécessaire. Communiquez avec le service d'assistance concernant les réparations.

Adresse du segment de la limite maximale de la mémoire supérieure : nnnn

Affiche l'adresse de la limite maximale des blocs de mémoire supérieure, indiquant les segments libérés de la mémoire du BIOS qui peuvent être récupérés par un gestionnaire de mémoire virtuelle.

BIOS vidéo doublé

Le BIOS vidéo a été copié avec succès dans la mémoire RAM fantôme.

Codes de résultat du modem

Le système d'exploitation et le logiciel d'application qui est installé en usine détectent les caractéristiques du modem et fournissent les chaînes de commande nécessaires pour faire fonctionner le modem. Le fonctionnement du modem interne est contrôlé par des commandes AT génériques à partir du système d'exploitation et du logiciel d'application. Les codes de résultat détaillés standard peuvent, dans certains cas, être affichés sur votre écran pour vous informer des actions qui se passent sur votre modem. Le système d'exploitation et le logiciel d'application peuvent supprimer l'affichage des codes de résultat.

Exemples de codes de résultats :

- OK
- PAS DE PORTEUSE
- PAS DE TONALITÉ DE COMPOSITION
- CONNECTER 53 000 (Connexion complète à 53 000 bit/s.)
- ERREUR
- TÉLÉCOPIEUR
- SONNERIE (signifie un appel entrant)
- OCCUPÉ
- PAS DE RÉPONSE

Si vous utilisez le modem interne avec des applications non installées en usine, consultez la documentation du logiciel utilisé.

Restaurer vos logiciels préinstallés

L'emplacement de vos applications, pilotes et utilitaires est déterminé par le système d'exploitation lorsque l'ordinateur est en cours d'utilisation.

Microsoft Windows 7 Édition Professionnelle: Veuillez utiliser les informations contenues dans le manuel « Sauvegarde et restauration des images d'origine et de système » fourni avec votre ordinateur.

Microsoft Windows Editions Vista ou XP : Veuillez suivre les instructions ci-après.

Le disque de pilotes et de restauration d'applications (PRA) contient des pilotes de périphérique et des utilitaires Fujitsu (dans des répertoires distincts) propres à la configuration de votre ordinateur et qui doivent être utilisés conformément aux instructions ci-dessous.



SI VOUS AVEZ ACCÈS À INTERNET, VISITEZ LE SITE D'ASSISTANCE DE FUJITSU À [HTTP://WWW.COMPUTERS.US.FUJITSU.COM/SUPPORT](http://www.computers.us.fujitsu.com/support) POUR CONSULTER LES INFORMATIONS LES PLUS RÉCENTES ET OBTENIR LES DERNIÈRES VERSIONS DES PILOTES AINSI QUE DES CONSEILS SUR LA RESTAURATION ET LA MISE À JOUR DU SYSTÈME.

Réinstallation des applications et pilotes individuels

Le disque de pilotes et applications peut être utilisé pour réinstaller de façon sélective les pilotes et/ou applications qui auraient pu être désinstallés ou corrompus.



IL EST POSSIBLE QUE CERTAINES APPLICATIONS TIERCES GRATUITES PRÉ-INSTALLÉES SUR VOTRE SYSTÈME NE SE TROUVENT PAS SUR LE DISQUE PRA. LES TOUTES DERNIÈRES VERSIONS DE CES APPLICATIONS PEUVENT ÊTRE TÉLÉCHARGÉES À PARTIR DU SITE INTERNET DE LEUR FABRICANT.

Pour réinstaller des pilotes et/ou applications :

- 1 Lancez le système et insérez le disque PRA après que Windows a démarré. Un écran d'installation Fujitsu s'affiche une fois que le disque est inséré.
- 2 Lorsque vous avez lu le contrat de licence, cliquez sur [J'accepte].

- 3 Une fenêtre apparaîtra contenant une liste d'applications, de pilotes et d'utilitaires que vous pouvez installer à partir du disque de pilotes et d'applications.



LES COMPOSANTS CITÉS SONT CHROMOCODÉS EN FONCTION DE LEUR ÉTAT D'INSTALLATION. LE BLEU INDIQUE QUE LE COMPOSANT PEUT ÊTRE INSTALLÉ. LE VERT INDIQUE QUE LE COMPOSANT DOIT ÊTRE INSTALLÉ SÉPARÉMENT. LE GRIS INDIQUE QUE LE COMPOSANT EST DÉJÀ INSTALLÉ (LES ÉLÉMENTS EN GRIS PEUVENT ÊTRE RÉINSTALLÉS, MAIS AVANT L'INSTALLATION, VOUS RECEVREZ UN RAPPEL VOUS INDIQUANT QUE LE COMPOSANT EST DÉJÀ INSTALLÉ).

- 4 Dans la liste, cochez tous les composants que vous voulez installer. Si vous voulez installer tous les composants, cliquez sur [Sélectionner tout]. Si vous cliquez sur Sélectionner tout, le système sélectionne tous les composants codés en bleu. Les composants en vert et en gris doivent être sélectionnés séparément.
- 5 Lorsque vous avez sélectionné les composants que vous désirez installer, cliquez sur [Installer les sous-systèmes sélectionnés] ; les composants seront installés.
- 6 Lorsque les composants sont installés, cliquez sur [OK], puis sur [Oui] lorsqu'on vous demandera si vous voulez redémarrer votre système.

Restauration du système d'exploitation pour les systèmes Windows

Le disque d'utilitaires et de restauration contient quatre utilitaires :

- L'utilitaire **Restauration** vous permet de restaurer le système d'exploitation (SE) de votre ordinateur. Une fois restauré, le SE est le même que celui qui était installé sur le disque dur à l'origine. Après avoir restauré le SE, vous devrez réinstaller les pilotes et les applications à partir du disque de pilotes et de restauration des applications ainsi que de tous disques qui étaient fournis avec l'ordinateur lorsque vous l'avez acheté.
- L'utilitaire **Supprimer les données sur le disque dur** permet de supprimer toutes les données sur votre disque dur et d'en empêcher leur réutilisation. N'utilisez pas l'utilitaire « Supprimer les données sur le disque dur », à moins que vous soyez absolument certain de vouloir effacer votre disque dur en entier, y compris toutes les partitions.
- L'utilitaire **Créer des partitions** vous permet de créer une nouvelle partition D: ou de modifier la taille des partitions qui sont déjà sur votre disque dur. **REMARQUE : Si vous créez des partitions ou si vous en modifiez la taille, toutes les données contenues sur votre disque dur seront totalement supprimées.**

- L'utilitaire **Diagnostics** permet à un professionnel de l'informatique de déterminer l'état des périphériques et des composants de système sélectionnés en les soumettant à des tests de diagnostic.

Méthodes pour accéder aux utilitaires

Certains modèles LifeBook sont déjà dotés des applets Restauration et utilitaires, pré-installés. Sur d'autres systèmes, il faudra recourir au disque de restauration et d'utilitaires (dans le cas où le disque dur a été formaté).

Afin de déterminer la méthode permettant d'accéder à la fonctionnalité Restauration et Utilitaires, suivez les procédures ci-après dans l'ordre.

Comment déterminer si la fonctionnalité Restauration et Utilitaires est déjà installée.

- 1** Allumez ou redémarrez votre système. Lorsque le logo Fujitsu apparaît, appuyez sur la touche [F12].
- 2** Dans le menu Amorçage qui apparaît, vérifiez si l'option **Restauration et Utilitaires** est présente. Si elle n'y est pas, cela signifie que la fonctionnalité doit être utilisée à partir du disque. Reportez-vous alors à « **Exécution de la fonctionnalité Restauration et Utilitaires à partir du disque optique.** »
- 3** Vous pouvez également utiliser le menu TrustedCore pour savoir si l'utilitaire est pré-chargé en mettant l'ordinateur sous tension avec la touche [Entrée] lorsque le logo Fujitsu apparaît à l'écran. Le menu TrustedCore apparaîtra, et l'option **Restauration et Utilitaires** s'y affichera.

Exécution de la fonctionnalité Restauration et Utilitaires à partir du disque dur.

- 1** Avec le curseur, allez en bas de page jusqu'à <Restauration et Utilitaires>, puis appuyez sur [Entrée]. Une barre de progression apparaîtra en bas de l'écran pendant le transfert des fichiers à partir du disque.
- 2** Une barre de progression apparaîtra en bas de l'écran pendant le transfert des fichiers à partir du disque.
- 3** Lorsque la boîte de dialogue « Options de restauration du système » apparaît, choisissez une nouvelle configuration de clavier si nécessaire, puis cliquez sur [Suivant].
- 4** Lorsque la boîte de dialogue Système d'exploitation apparaît, cliquez sur [Suivant].
- 5** Si nécessaire, entrez votre mot de passe, puis cliquez sur [OK].
- 6** Lorsque la fenêtre Options de restauration du système apparaît, cliquez sur « **Restauration et Utilitaires** ».

- 7** L'écran « Restauration et Utilitaires » apparaît avec trois onglets : Diagnostics, Restauration et Utilitaires. Veuillez noter que l'onglet Diagnostics n'est pas pris en charge par certains modèles LifeBook/Stylistic lorsque vous exécutez la fonction Restauration et Utilitaires à partir du disque dur. Pour restaurer le système d'exploitation, veuillez insérer le disque Restauration et Utilitaires dans le lecteur optique et utiliser la fonction « Démarrer la restauration » sous l'onglet « Restauration ». Pour de plus amples informations à propos des onglets, allez à « Onglets Restauration et Utilitaires » en page 130.

Exécution de la fonctionnalité Restauration et Utilitaires à partir du disque optique.



POUR POUVOIR UTILISER CE DISQUE, VOTRE SYSTÈME DOIT DISPOSER D'UN LECTEUR POUVANT LIRE DES CD. VOUS DEVEZ DONC BRANCHER UN LECTEUR EXTERNE. POUR PLUS D'INFORMATIONS SUR LES DISPOSITIFS EXTERNES DISPONIBLES, VISITEZ NOTRE SITE INTERNET DE VENTE AU : [HTTP://SOLUTIONS.US.FUJITSU.COM/](http://solutions.us.fujitsu.com/).

CE DISQUE PEUT SEULEMENT ÊTRE UTILISÉ SUR LE SYSTÈME AVEC LEQUEL IL A ÉTÉ ACHETÉ.

Procédure

Pour vérifier/changer la priorité d'amorçage (plutôt que de démarrer à partir d'un disque dur ou d'un lecteur de disquette externe), exécutez les étapes suivantes :

- 1** Mettez le système sous tension. Lorsque le logo Fujitsu apparaît à l'écran, appuyez sur la touche [Entrée] ou cliquez avec le bouton gauche de la souris ou du pavé tactile TouchPad. Le menu TrustedCore s'affichera.
- 2** Dans le menu TrustedCore, sélectionnez le menu Amorçage.
- 3** Surlignez l'option CD/DVD.
- 4** Mettez le disque de restauration et d'utilitaires sur le plateau du lecteur.
- 5** Cliquez sur [OK]. Une barre de progression apparaîtra en bas de l'écran pendant le transfert des fichiers à partir du disque.
- 6** Lorsque l'écran Restauration et utilitaires apparaît, trois onglets sont présents : Diagnostics, Restauration et Utilitaires.

Onglets Restauration et Utilitaires

Onglet Diagnostics : L'outil de diagnostics est conçu pour être utilisé par des informaticiens professionnels. Il y a peu de chances que vous ayez besoin de l'utiliser. Lorsque vous sélectionnez des dispositifs dans la fenêtre Diagnostic et que vous cliquez ensuite sur [Exécuter], ceux-ci sont soumis à plusieurs tests.

Onglet Restauration : L'onglet Restauration comprend l'outil « Démarrer la restauration ». Rappelez-vous que le processus de restauration supprime toutes les données du disque C:. Si vous décidez d'utiliser l'outil de restauration, assurez-vous d'avoir sauvegardé toutes les données que vous ne voulez pas perdre au préalable. De même, prenez note que l'ordinateur doit être branché sur le secteur pour exécuter la procédure avec l'outil de restauration. Pour utiliser l'outil Restauration, sélectionnez la fonction « Démarrer la restauration », cliquez sur le bouton [Exécuter], puis suivez les instructions à l'écran.

Onglet Utilitaires : L'onglet Utilitaires comprend trois outils : « Restaurer le système », « Supprimer les données sur le disque dur » et « Créer des partitions ».

- Avec **Restaurer le système**, il est possible de résoudre les problèmes qui pourraient ralentir le fonctionnement de votre ordinateur ou l'empêcher de réagir. Cet outil vous permet de remettre le système à un état antérieur, cela n'affecte en rien vos documents, images ou autres données personnelles.
- L'utilitaire **Supprimer les données sur le disque dur** permet de supprimer toutes les données sur votre disque dur et d'en empêcher leur réutilisation. **REMARQUE : N'utilisez pas l'utilitaire « Supprimer les données sur le disque dur », à moins que vous soyez absolument certain de vouloir effacer votre disque dur en entier, y compris toutes les partitions.**
- L'utilitaire **Créer des partitions** vous permet de créer une nouvelle partition D: ou de modifier la taille des partitions déjà créées sur votre disque dur. **REMARQUE : Si vous créez des partitions ou si vous en modifiez la taille, toutes les données contenues sur votre disque dur seront totalement supprimées.**

Téléchargement automatique des mises à jour de pilotes

Votre système dispose d'un outil pratique appelé Utilitaire de Mise à jour des pilotes Fujitsu (FDU ou Fujitsu Driver Update). Avec FDU, vous pouvez choisir d'aller automatiquement ou manuellement sur le site de Fujitsu pour obtenir les mises à jour récentes de votre système.

L'icône FDU doit apparaître dans la zone de notification en bas à droite de votre écran (faites défiler votre curseur sur les icônes pour trouver l'icône appropriée). Si l'icône FDU n'apparaît pas dans cette zone, vous pouvez la lancer à partir des menus [Démarrer] -> **Tous les programmes**, puis en cliquant sur Mise à jour **des pilotes Fujitsu** (cette opération créera automatiquement l'icône).

Pour appeler le menu FDU, vous pouvez soit faire un clic droit sur l'icône FDU soit maintenir le stylet sur l'icône pendant deux secondes jusqu'à ce que le menu apparaisse. Le menu contient les éléments suivants :

Vérifier les mises à jour maintenant

Permet une recherche manuelle des mises à jour de pilotes. La première fois que vous l'utiliserez, on vous demandera d'accepter un contrat de licence. Après avoir cliqué sur l'icône, l'utilitaire FDU se connectera automatiquement au site Fujitsu pour vérifier les mises à jour et les télécharger. Pendant le processus de téléchargement, l'icône affiche une barre rouge indiquant qu'elle ne peut pas être utilisée pendant que le téléchargement est en cours. Lorsque la mise à jour est terminée, un message apparaît pour vous en informer.

Activer les notifications de mises à jour automatiques

Recherches automatiques de nouvelles mises à jour sur une base régulière (environ tous les 3 jours).

Afficher l'historique des mises à jour

Affiche un écran qui présente un historique des mises à jour effectuées par l'utilitaire FDU.

À propos de l'utilitaire FDU

Affiche le numéro de version de l'utilitaire FDU et des informations relatives aux droits d'auteur.

Fichier Lisez-moi de l'utilitaire FDU

Affiche le fichier Lisez-moi de l'utilitaire FDU.

Chapitre 5

Entretien

Entretien de votre ordinateur portable LifeBook

Si vous prenez soin de votre ordinateur portable LifeBook Fujitsu, vous augmenterez sa durée de vie et sa fiabilité. Cette section fournit certains conseils relatifs à l'entretien de votre ordinateur portable et de ses dispositifs.



- N'ENLEVEZ AUCUNE VIS DU COMPARTIMENT DU MODULE DE MÉMOIRE ADDITIONNELLE À L'EXCEPTION DE CELLES SPÉCIFIQUEMENT INDIQUÉES DANS LES DIRECTIVES D'INSTALLATION ET DE RETRAIT CORRESPONDANTES.
- LE MODULE DE MÉMOIRE ADDITIONNELLE PEUT ÊTRE FORTEMENT ENDOMMAGÉ PAR UNE DÉCHARGE ÉLECTROSTATIQUE (DES). POUR MINIMISER CE RISQUE, VEUILLEZ PRENDRE LES PRÉCAUTIONS SUIVANTES :
 - AVANT DE MANIPULER UN MODULE DE MÉMOIRE, TOUCHEZ UN OBJET MÉTALLIQUE MIS À LA TERRE POUR DÉCHARGER L'ÉLECTRICITÉ STATIQUE QUI S'EST ACCUMULÉE DANS VOTRE CORPS.
 - LORSQUE VOUS INSTALLEZ OU RETIREZ UN MODULE DE MÉMOIRE, TENEZ-LE PAR LE BORD DE FAÇON À NE TOUCHER AUCUN CONTACT NI AUCUNE PUCE. ASSUREZ-VOUS DE NE TOUCHER AUCUNE BORNE DE CONNEXION NI AUCUN COMPOSANT INTERNE DE L'ORDINATEUR. LA PEAU DÉGAGE UNE SUBSTANCE HUILEUSE QUI POURRAIT CAUSER UN COURT-CIRCUIT AUX COMPOSANTS.
 - ASSUREZ-VOUS DE METTRE VOTRE SYSTÈME HORS TENSION AVANT D'AJOUTER OU DE RETIRER DES MODULES DE MÉMOIRE. MÊME SI LE SYSTÈME EST EN SOMMEIL OU EN VEILLE PROLONGÉE, DES DONNÉES RISQUENT D'ÊTRE PERDUES ET LA MÉMOIRE POURRAIT ÊTRE ENDOMMAGÉE SI LE COURANT QUI ALIMENTE LE SYSTÈME N'EST PAS COUPÉ.

- Votre ordinateur portable LifeBook est durable, mais c'est un appareil électronique sensible. Traitez-le avec respect et précaution.
- Prenez l'habitude de transporter votre ordinateur dans une valise convenable.
- N'essayez pas de réparer l'ordinateur vous-même. Suivez toujours les instructions d'installation à la lettre.
- Gardez-le loin de la nourriture et des boissons.
- Pour protéger votre ordinateur des dommages et optimiser ses performances, **gardez toujours les grilles de ventilation dégagées, propres et sans débris**. Il est possible que vous deviez les nettoyer périodiquement, selon l'environnement dans lequel vous utilisez l'ordinateur.
- Ne placez pas l'ordinateur dans un endroit où les grilles de ventilation pourraient être obstruées, notamment dans un petit espace fermé ou sur une surface molle comme un lit ou un coussin.
- Si vous renversez par accident un liquide sur votre ordinateur portable LifeBook :
 - 1 Éteignez-le.
 - 2 Positionnez-le de sorte que le liquide puisse sortir.
 - 3 Laissez-le sécher pendant 24 heures, ou plus si nécessaire.
 - 4 S'il ne démarre pas une fois sec, contactez le service d'assistance.
 - N'utilisez pas votre ordinateur portable LifeBook Fujitsu dans un environnement très humide (à proximité d'une baignoire, d'une piscine).
 - Utilisez toujours l'adaptateur secteur d'origine et des batteries homologuées pour votre ordinateur portable.
 - Évitez d'exposer l'ordinateur au sable, à la poussière et à d'autres matières.
 - N'exposez pas votre ordinateur portable à la lumière directe du soleil pendant de longues périodes, car les températures de plus de 60°C (140°F) pourraient l'endommager.
 - Gardez les caches des connecteurs et des fentes fermés lorsque ceux-ci ne sont pas en utilisation.
 - Ne déposez pas d'objets lourds ou tranchants sur l'ordinateur.

- Si vous transportez votre LifeBook dans un porte-documents, ou toute autre mallette, assurez-vous qu'aucun objet dans l'étui n'appuie sur le couvercle.
- Ne placez jamais votre ordinateur portable de façon à ce que le lecteur optique supporte le poids du portable.

Nettoyage de votre ordinateur portable LifeBook

- Débranchez toujours la prise électrique (tirez la fiche, pas le cordon).
- Nettoyez votre ordinateur avec un chiffon humide et non pelucheux. N'utilisez pas de solvant ou d'abrasif.
- Utilisez un tissu doux pour enlever la poussière de l'écran. N'utilisez jamais de liquide lave-vitre.
- Avant de nettoyer ou de désinfecter l'extérieur de votre ordinateur, le clavier ou l'écran ACL, prenez garde à toujours éteindre le système, à débrancher l'adaptateur secteur et à retirer la batterie.

Suivez les procédures de nettoyage en utilisant des produits nettoyeurs recommandés disponibles dans le commerce.

Extérieur et clavier de l'ordinateur

Pour nettoyer l'extérieur et le clavier, utilisez l'un des nettoyeurs suivants :

- Kit de nettoyage pour ordinateur portable Office Depot® N° 154-616
- Lingettes Meridrew Enterprises Klear_Screen®
- Lingettes 3M CL563 Cleaner

Remarque : Après avoir nettoyé votre système avec l'un de ces produits, faites-le reluire et retirez les traces de produit à l'aide d'un tissu doux non-pelucheux.

Écran ACL

Pour nettoyer l'écran, utilisez l'un des nettoyeurs suivants :

- Kit de nettoyage pour ordinateur portable Office Depot® N° 154-616
- Lingettes Meridrew Enterprises Klear_Screen®

* Convient aux écrans des PC Tablettes, PC convertibles avec protecteur ACL et ordinateurs portables standard.

Nettoyez l'écran doucement et laissez-le sécher avant d'allumer votre ordinateur.

Désinfection des ordinateurs LifeBook

- Nettoyez la surface de l'ordinateur à l'aide d'un tissu doux imbibé d'une solution d'éthanol à 50 % ou d'un autre germicide à base d'éthanol homologué par l'EPA (« Environment Protection Agency », ou Agence américaine de protection de l'environnement) en tant que désinfectant hospitalier.
 - SI VOUS N'UTILISEZ PAS LES BONS PRODUITS, L'AFFICHAGE DE L'ÉCRAN ACL OU L'ORDINATEUR LUI-MÊME PEUT EN ÊTRE ENDOMMAGÉ. POUR SAVOIR COMMENT UTILISER ET MANIPULER CONVENABLEMENT LES PRODUITS NETTOYANTS, PRENEZ GARDE À TOUJOURS CONSULTER LES PROCÉDURES DE NETTOYAGE DU FABRICANT, AINSI QUE LES FICHES TECHNIQUES DE SÉCURITÉ.
 - N'UTILISEZ JAMAIS DE NETTOYANTS À BASE ALCALINE, D'AMMONIAQUE, D'ACIDE, OU DE PRODUITS CHIMIQUES BIOLOGIQUES TELS QUE DISSOLVANTS POUR PEINTURE, ACÉTONE, ALCOOL PROPYLE OU ISOPROPYLE, OU PÉTROLE. LA FINITION DES SURFACES DE L'ORDINATEUR ET LA PELLICULE DE PROTECTION DE L'ÉCRAN ACL POURRAIENT EN ÊTRE ENDOMMAGÉES.
 - N'UTILISEZ JAMAIS D'AIR COMPRIMÉ POUR LE NETTOYAGE DES PC LIFEBOOK ET STYLISTIC.



Nettoyage du couvercle du filtre anti-poussière

Votre LifeBook est équipé de ventilateurs qui attirent l'air à l'intérieur pour refroidir les composants internes de l'ordinateur. Selon l'environnement d'utilisation, de la poussière et de la saleté peuvent pénétrer avec l'air. Si elles s'accumulent, elles peuvent nuire au bon fonctionnement du système.



- **RETIRER L'ADAPTATEUR SECTEUR** : AVANT DE RETIRER LE COUVERCLE DU FILTRE, ÉTEIGNEZ LE SYSTÈME AINSI QUE LES PÉRIPHÉRIQUES, ET DÉBRANCHEZ L'ADAPTATEUR C.A.
- **NETTOYAGE DU FILTRE** :
 - N'UTILISEZ PAS DE DÉTERGENT.
 - ÉVITEZ D'ENDOMMAGER LE FILTRE, LES DÉGÂTS CAUSÉS À CE COMPOSANT NE SONT PAS COUVERTS PAR LA GARANTIE.
 - UTILISEZ DES OUTILS EN PLASTIQUE POUR LE NETTOYER. LES OUTILS EN MÉTAL OU EN BOIS RISQUENT DE L'ENDOMMAGER.
- **DES** : AVANT DE NETTOYER LE FILTRE, TOUCHER UN OBJET EN MÉTAL AFIN D'ÉVACUER L'ÉLECTRICITÉ STATIQUE QUI S'EST ACCUMULÉE DANS VOTRE CORPS.

- 1 Éteignez votre ordinateur et débranchez l'adaptateur c.a.
- 2 Fermez l'écran et tournez l'ordinateur à l'envers.
- 3 Retirez le filtre en poussant le loquet en direction le couvercle du filtre, puis soulevez-le et tirez-le vers l'extérieur (Figure 32).
- 4 Nettoyez soigneusement le filtre ainsi que le conduit d'air.

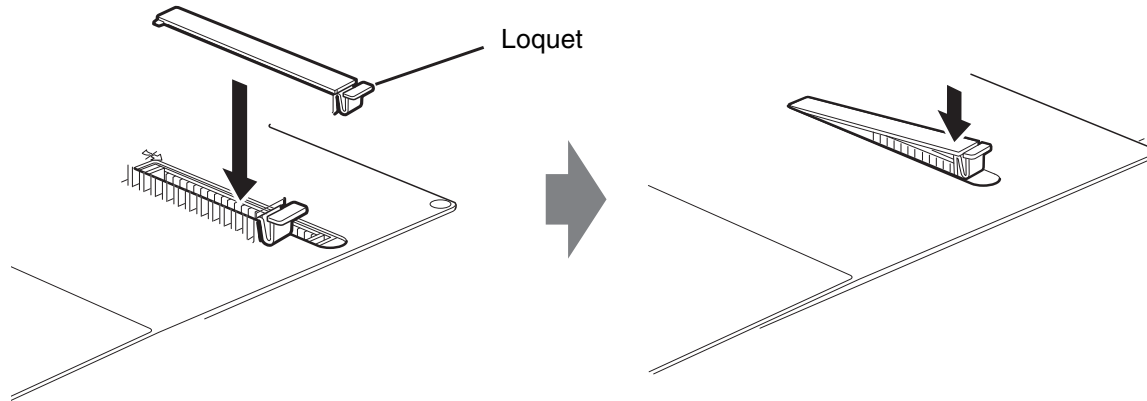


Figure 32. Retrait/installation le couvercle du filtre anti-poussière

- 5 Mettez le couvercle du filtre à nouveau en place en insérant d'abord une extrémité (positionnez d'abord la clavette à l'intérieur), puis poussez jusqu'au bout jusqu'à ce qu'il s'enclenche.



ASSUREZ-VOUS TOUJOURS QUE LE COUVERCLE DU FILTRE ANTI-POUSSIÈRE EST INSTALLÉ AVANT DE METTRE VOTRE SYSTÈME EN MARCHÉ. DANS LE CAS CONTRAIRE, VOUS RISQUEZ DE CONTAMINER VOTRE SYSTÈME ET DE L'ENDOMMAGER.

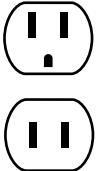

Rangement de votre ordinateur portable LifeBook



- Si vous comptez ranger votre ordinateur portable pendant un mois ou plus, éteignez votre ordinateur portable LifeBook, chargez la batterie à fond, puis enlevez et rangez toutes les batteries au lithium-ion.
- Rangez votre ordinateur portable et les batteries séparément. Si vous rangez votre ordinateur portable alors que la batterie est installée, la batterie se déchargera et sa durée de vie sera réduite. De plus, une batterie défectueuse pourrait endommager votre ordinateur.

- Rangez votre LifeBook dans un endroit frais et sec. Les températures doivent être maintenues entre -25 °C et 60 °C (13 °F et 140 °F).

Voyager avec votre ordinateur portable LifeBook

- Ne transportez pas votre ordinateur portable pendant qu'il est en marche.
- Il est recommandé de garder l'ordinateur près de vous pendant votre voyage au lieu de l'enregistrer comme bagage.
- Lorsque vous partez en voyage, apportez toujours avec vous le CD de restauration de système fourni avec votre ordinateur portable. Si vous éprouvez des problèmes de logiciel d'exploitation pendant votre voyage, vous pourriez en avoir besoin pour trouver la solution au problème.
- Ne faites jamais passer votre ordinateur portable au détecteur de métal. Faites inspecter votre ordinateur portable manuellement par le personnel de sécurité. Toutefois, vous pouvez faire passer votre portable sur un appareil à rayon X syntonisé. Pour éviter les problèmes, placez votre ordinateur portable à proximité de l'entrée de l'appareil et retirez-le aussitôt que possible ou faites inspecter votre ordinateur portable manuellement par le personnel de sécurité. Les responsables de la sécurité pourraient vous demander de mettre votre ordinateur portable en marche. Assurez-vous d'avoir une batterie chargée.
- Apportez avec vous les adaptateurs de fiches nécessaires lorsque vous voyagez outre-mer. Vérifiez le diagramme suivant pour déterminer quel adaptateur de fiche vous serait nécessaire ou renseignez-vous auprès de votre agent de voyage.

Type de prise			Emplacement
	<p>États-Unis, Canada, certains pays d'Amérique Latine, Mexique, Philippines, Taïwan</p>		<p>Royaume-Uni, Irlande, Malaisie, Singapour, certains pays d'Afrique</p>

Type de prise			Emplacement
	Russie et Communauté des États indépendants (CEI), la plupart des pays d'Europe, certains pays d'Amérique Latine, Moyen-Orient, certains pays d'Afrique, Hongkong, Inde, la plupart des pays de l'Asie du Sud		Chine, Australie, Nouvelle-Zélande

Batteries

Entretien de vos batteries

- Manipulez toujours les batteries avec soin.
- Ne court-circuitez pas les terminaux des batteries (c'est à dire, ne touchez pas les deux terminaux avec des objets métalliques). Ne transportez pas des batteries dans votre poche ou sac à main où elles pourraient entrer en contact avec de la monnaie, des clés ou d'autres objets métalliques. Cela pourrait causer une explosion ou un incendie.
- Il ne faut jamais laisser tomber, percer, désassembler, abîmer ou incinérer une batterie.
- Rechargez les batteries uniquement selon les instructions de ce manuel et seulement dans des endroits aérés.
- Ne laissez pas les batteries dans des endroits chauds pendant plus d'une journée ou deux. Les grandes chaleurs risquent de raccourcir la durée de vie de votre batterie.
- Ne rangez pas la batterie pendant plus de 6 mois sans la recharger.

Augmenter la durée de vie des batteries

- Alimentez votre ordinateur portable LifeBook avec l'adaptateur secteur ou l'adaptateur d'auto/avion optionnel chaque fois que vous le pouvez.
- Si votre ordinateur portable fonctionne sur l'alimentation par batterie pendant tout une journée, branchez-le sur l'adaptateur secteur durant la nuit pour recharger la batterie.
- Gardez la luminosité au niveau le plus bas possible.
- Réglez la gestion de la consommation d'énergie pour une durée de vie maximale de la batterie.

- Mettez votre ordinateur portable en mode sommeil lorsqu'il est en marche et que vous n'êtes pas en train de l'utiliser.
- Limitez votre accès au lecteur multimédia.
- Désactivez la fonction de notification d'insertion automatique du lecteur média.
- Utilisez toujours des batteries chargées complètement.
- Éjectez les cartes PCMCIA et ExpressCard non utilisées.

Entretien de votre lecteur multimédia

Entretien de votre lecteur multimédia (Blu-ray/DVD/CD/CD-R)

Les disques multimédia sont des dispositifs précis qui fonctionneront de manière fiable si vous en prenez bien soin.

- Rangez toujours vos disques multimédias dans leurs étuis lorsqu'ils ne sont pas utilisés.
- Tenez toujours les disques par les bords et évitez d'en toucher la surface.
- Évitez de ranger les disques multimédia dans des endroits où les températures sont extrêmes.
- Ne courbez pas les disques multimédia et ne déposez pas d'objets lourds par dessus.
- Ne renversez pas de liquide sur les disques multimédias.
- N'égratignez pas les disques multimédias.
- Ne laissez pas la poussière s'accumuler sur les disques multimédias.
- N'écrivez jamais sur la surface de l'étiquette avec un stylo à bille ou un crayon. Utilisez toujours un crayon-feutre.
- Si un disque multimédia subit un changement soudain de température, une condensation froid/chaud pourrait se former sur la surface. Essayez l'humidité avec un chiffon doux, propre et non pelucheux, puis laissez le disque sécher à température ambiante. N'UTILISEZ PAS de sèche-cheveux ou d'autre appareil chauffant pour sécher les disques multimédia.
- Si un disque est sale, utilisez seulement un nettoyant pour disque ou essuyez-le avec un chiffon doux, propre et non pelucheux : commencez par le bord intérieur et essuyez en direction du bord extérieur.

Entretien du lecteur optique

Votre lecteur optique est durable, mais vous devez en prendre soin. Veuillez faire attention aux points suivants :

- Le lecteur fait pivoter le disque compact à une vitesse très élevée. Lorsqu'il fonctionne, ne le transportez pas d'un endroit à un autre, et évitez qu'il subisse un choc ou des vibrations.
- Évitez d'utiliser ou de ranger le lecteur dans un endroit où il serait exposé à des températures extrêmes.
- Évitez d'utiliser ou de ranger le lecteur dans un endroit humide ou poussiéreux.
- Évitez d'utiliser ou de ranger le lecteur à proximité d'aimants ou de dispositifs qui génèrent de forts champs magnétiques.
- N'utilisez pas et ne rangez pas le lecteur dans des endroits exposés à des chocs ou à des vibrations.
- Ne désassemblez pas ou ne démontez pas le lecteur optique.
- L'usage d'un nettoyant spécial pour lentilles est recommandé pour l'entretien régulier du lecteur.

Entretien de vos cartes

Les cartes PC Card et ExpressCard sont durables, mais vous devez en prendre soin. La documentation fournie avec votre carte vous donnera des renseignements spécifiques, mais vous devriez aussi faire attention aux points suivants :

- Pour les protéger de la poussière et de la saleté, rangez vos cartes dans leurs étuis de protection lorsqu'elles ne sont pas installées sur votre ordinateur portable LifeBook.
- Évitez toute exposition prolongée aux rayons du soleil ou à une chaleur excessive.
- Gardez les cartes au sec.
- Ne fléchissez pas ou ne courbez pas les cartes et n'y placez pas d'objet lourd.
- Ne faites pas entrer par force une carte dans une fente.
- Évitez de faire tomber les cartes ou de les exposer à des vibrations excessives.

Chapitre 6

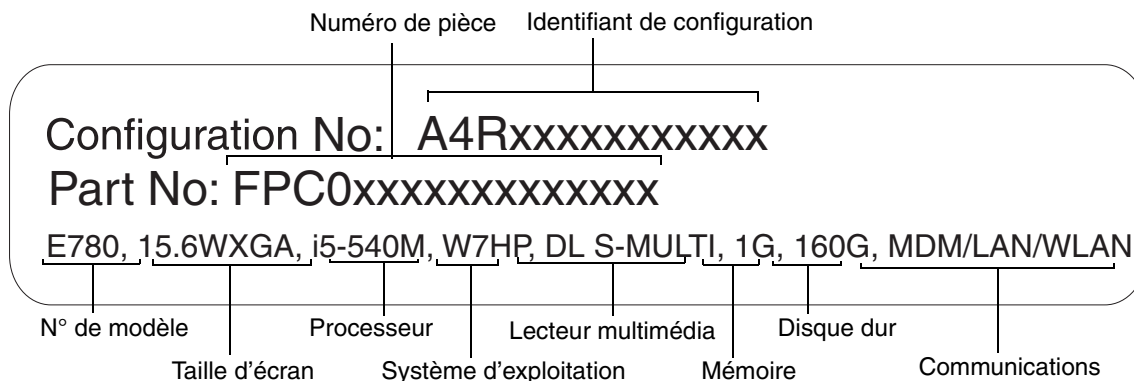
Spécifications techniques

Spécifications techniques du système

Cette section présente les spécifications techniques du matériel et de l'environnement de votre ordinateur portable LifeBook Fujitsu. Selon les configurations, les spécifications techniques peuvent varier.

Étiquette de configuration

L'étiquette de configuration qui est située sur le dessous de votre ordinateur portable comporte des informations spécifiques à propos des options que vous avez choisies pour votre ordinateur. Voici un exemple d'étiquette de configuration :



Microprocesseur

Processeurs Intel® Core™ i5 ou i7 (reportez-vous à l'étiquette du système pour connaître la vitesse du processeur)

Puce

- Puces Intel QM57 Express

Mémoire

Mémoire système

- Module mémoire vive à double canal SDRAM DDR3 1 066 MHz.
- Deux fentes mémoire DIMM avec possibilité de mise à niveau jusqu'à 8 Go de mémoire totale (4 Go x 2).

Mémoire cache

- L1 cache: 32 KB x 2
- L2 cache: 256 KB
- L3 cache: Mémoire cache intégrée de 3 Mo ou 4 Mo, selon l'UC du système

Vidéo

Écran couleur plat TFT intégré ACL à matrice active, avec possibilité d'affichage simultané sur deux moniteurs

Couleur et résolution Vidéo

Modèle XGA CrystalView de 15,6 po :

- Interne : Résolution 1 366 x 768 pixels, 16 mln couleurs
- Externe : Résolution 1 920 x 1 200 pixels, 16 mln couleurs
- En simultané : Résolution 1 360 x 768 pixels, 16 mln couleurs

- Port d'affichage: 2 650 x 1 600
- DVI (Duplicateur de port uniquement): 1 920 x 1 200

Modèle TFT WXGA+ de 15,4 po : •

- Interne : Résolution 1 680 x 1 050 pixels, 16 mln couleurs
- Externe : Résolution 1 600 x 1 200 pixels, 16 mln couleurs
- En simultané : Résolution 1 600 x 1 200 pixels, 16 mln couleurs

Mémoire vive vidéo

Selon la configuration de votre ordinateur portable, vous pourriez avoir l'une des technologies Vidéo RAM suivants :

- Graphiques Intel® HD avec fréquence dynamique. Distribution automatique de puissance informatique à l'UC et aux applications graphiques ayant besoin d'un surplus de puissance pouvant aller jusqu'à 20 % en plus, ou
- NVIDIA® GeForce® GT 330M avec 1 GB de mémoire dédiée

Audio

- Codec Realtek ALC269 avec système audio haute définition (HD) à deux canaux.
- Écouteurs : Selon la configuration de votre système, celui-ci est doté de l'une des prises suivantes :
- Prise d'écouteurs stéréo, 3,5 mm, 1 V_{rms} ou moins, impédance minimale de 32 ohms, ou
- Écouteurs stéréo/sortie audio, 3,5mm, 1 V_{rms} ou moins, impédance minimale 32 ohms
- **Microphone** : Selon la configuration de votre système, celui-ci est doté de l'une des prises suivantes :
- Prise de microphone mono, 3,5 mm, 100 mV crête-à-crête ou moins, impédance minimale de 10 Kohms, ou
- Prise d'entrée de ligne/microphone stéréo, 3,5 mm, 100 mV crête-à-crête ou moins, impédance minimale de 10 Kohms.
- Deux hauts-parleurs stéréo intégrés, 20 mm de diamètre

Options de mémoire de masse

Disque dur

- Tampon de données ATA2 en série, 2.5", 9.5 mm
- Choix possible entre 160 Go or 320 Go (7200 t/min) ou 160 Go, 160 Go FDE, 320 Go, 500 Go (5400 t/min)

Périphériques de baie modulaire

Selon la configuration de votre système, un des lecteurs suivants est installé :

- Lecteur modulaire mixte DVD/CD-RW : CD-ROM 24x, CD-R 24x, CD-RW 10x, DVD-ROM 8x
- Lecteur modulaire Blu-ray RW
- Lecteur modulaire de DVD-ROM DVD-ROM 8x
- Batterie de baie modulaire
- Disque dur modulaire
- Volet réducteur de poids

Caractéristiques techniques

Dispositif de pointage intégré

- Pavé tactile Touchpad avec bouton de défilement
- Commande de curseur Quick Point

Communications

- **Modem** : modem télécopieur interne 56 K V.92 (ITU V.92 ; 56 K données ; 14,4 K fax)
- **Réseau local Gigabit (ou Giga-octet)** : Carte réseau local interne filaire 10/100/1000 Gigabit Ethernet

Dispositifs sans fil :

- Dispositif TouchPad avec bouton de défilement ou capteur d'empreintes digitales en option

- Carte intégrée Intel Centrino Advanced-N 6200 (802.11agn 2x2), ou carte Atheros XSPAN 802.11bgn

WebCam en option

Caméra numérique 1,3 mégapixels, en option

Puce Trusted Platform Module (TPM)

Le LifeBook E780 est pourvu d'une puce Trusted Platform Module (TPM), installée pour plus de sécurité sur le système.

Verrouillage antivol

Deux fentes pour dispositifs antivol.

Ports de périphériques

Sur le portable LifeBook :

- Emplacement pour carte PC Card de Type I ou de Type II : Prise en charge PCMCIA norme 2.1 avec CardBus
- Fente pour une carte ExpressCard
- Lecteur de carte MemoryStick/SD
- Connecteur analogique D-SUB à 15 broches pour moniteur VGA externe (cf. Spécifications techniques d'affichage)
- Quatre connecteurs USB 2.0 (Universal Serial Bus) pour périphériques en entrée/sortie
- Une prise d'entrée c.c.
- Une prise de port d'affichage
- Un port e-SATA
- Un port série (RS-232, D-Sub à 9 broches)
- Une prise IEEE 1394 (à 4 broches)
- Un connecteur pour modem modulaire (RJ-11)

- Un connecteur de réseau local (RJ-45)
- Port de connexion (à 100 broches pour assurer la connexion avec le duplicateur de ports)
- Une prise d'écouteurs stéréo ou une prise de sortie/écouteurs stéréo, selon la configuration du système.
- Une prise de microphone mono ou une prise d'entrée de ligne/microphone stéréo, selon la configuration du système
- Fente pour carte à puce (nécessite un logiciel tiers)

Sur le duplicateur de ports en option :

- Un connecteur analogique D-SUB à 25 broches pour périphériques parallèles d'entrée ou de sortie, bidirectionnel, sortie seulement ou ECP
- Connecteur analogique D-SUB à 15 broches pour moniteur VGA externe (cf. Spécifications techniques d'affichage)
- Un connecteur D-SUB à 9 broches pour périphériques série d'entrée/sortie RS-232C
- Quatre connecteurs USB 2.0 pour périphériques d'entrée/sortie
- Un port e-SATA
- Un connecteur de réseau local (RJ-45)
- Une entrée c.c.
- Une prise écouteur/sortie audio
- Une prise de port d'affichage
- Un port numérique vidéo (DVI-D) à 24 broches, interface femelle
- Un bouton alimentation/veille/reprise avec voyant à DEL

Clavier

Clavier intégré avec toutes les fonctions de claviers compatibles PS/2 de 101 touches.

- Nombre total de touches : 84
- Touches de fonction : De F1 à F12

- Touches supplémentaires : Fn
- Deux touches Windows : Une touche Démarrage, une touche Applications
- Pas de touche : 19 mm
- Amplitude de frappe : 2.7 mm
- Dispositif de pointage TouchPad intégré avec deux boutons gauches, deux boutons droits et une touche de défilement
- Commande de curseur Quick Point (en option)
- Repose-main intégré

Prise en charge de clavier et de souris externes

- Compatible USB

Alimentation

Batteries

- Batterie rechargeable standard au lithium-ion, 6 accumulateurs, 10,8V, 5 200 mAh, 56,1Wh, ou
- Batterie rechargeable haute capacité au lithium-ion, 8 accumulateurs ; 14,4V ; 5 200 mAh ; 74,8 Wh
- Batterie modulaire en option : Batterie au lithium-ion à 6 accumulateurs, rechargeable, 10,8V, 3 800 mAh, 41 Wh

Adaptateur secteur

Selon la configuration de votre système, votre ordinateur portable est doté de l'un adaptateurs secteur suivantes :

- Autodétection 100-240V c.a., fournissant 19V c.c., 4,22A, 80W au portable LifeBook, y compris un câble c.a.
- Autodétection c.a. 100-240 V, fournissant c.c. 19 V, 5,27 A, 100 W au portable LifeBook, y compris un câble c.a.

Gestion de l'alimentation

Conforme à la norme ACPI (Advanced Configuration and Power Interface, ou Interface avancée de configuration et de gestion de l'énergie)

Dimensions et poids

Dimensions générales

Environ 372 mm (larg.) x 256.5 mm (prof.) x 35/37 mm (haut.) (14,6 po x 10,1 po x 1,38 po/1,46 po)

Poids

Environ 2,8 kg (6,18 lb) avec batterie et lecteur optique

Environnement d'exploitation

Température

Utilisation : 5 °C à 35 °C (41 °F à 95 °F)

Stockage : -15 °C à 60 °C (5 °F à 140 °F)

Humidité

Utilisation : 20 % à 85 % d'humidité relative, sans condensation

Stockage : 8 % à 85 % d'humidité relative, sans condensation

Altitude

Utilisation : 3 048 m (10 000 pieds) maximum

Accessoires préférés des utilisateurs

Pour commander des accessoires ou demander des informations supplémentaires, veuillez visiter notre site Internet à www.shopfujitsu.com ou appelez au 1-800-FUJITSU.

Logiciels préinstallés

Selon le système d'exploitation pré-installé, votre ordinateur est livré avec des logiciels inclus afin de vous permettre d'écouter des fichiers audio et de visionner des fichiers vidéo de formats divers. De même, l'ordinateur portable est fourni avec des logiciels de transfert de fichiers, de protection contre les virus et de gestion de l'alimentation. La liste suivante indique les logiciels fournis avec votre système.

- Adobe Reader
- Norton Internet Security™ (essai gratuit de 60 jours)
- Roxio Easy Media Creator (sur certains modèles)
- CyberLink PowerDirector
- CyberLink Makedisc (Seulement Windows 7)
- CyberLink PowerDVD
- CyberLink YouCam
- Google Tool Bar
- Google Picasa
- OmniPass (application de reconnaissance des empreintes digitales)
- Utilitaire de mise à jour des pilotes Fujitsu Driver Update
- Utilitaire PortShutter de Fujitsu
- Microsoft® Office Ready avec Office Assistant

Apprendre à utiliser vos logiciels

Tutoriaux

Tous les systèmes d'exploitation et la plupart des logiciels d'application ont des tutoriaux intégrés dès leur installation. Nous vous recommandons vivement de passer en revue le tutorial avant d'utiliser une application.

Guides

Sont compris dans votre portable, les guides d'utilisation pour vos logiciels du système d'exploitation et autres applications préinstallées. Tous les guides d'utilisation non présents sont disponibles en ligne par l'intermédiaire du système d'aide du logiciel. Nous vous recommandons de passer en revue ces guides d'utilisation pour obtenir des informations générales sur l'utilisation des logiciels.

Adobe Reader

Adobe Reader vous permet de visualiser, de naviguer et d'imprimer des fichiers « pdf » à partir des principales plates-formes informatiques.

Norton Internet Security

Votre système est livré avec la version d'essai de 60 jours de Norton Internet Security™ de Symantec. La gamme d'outils Norton Internet Security est conçue pour protéger votre ordinateur portable LifeBook contre les virus, les pirates, les espions et les pourriels. Il aide à la protection des données actuellement sur votre disque dur contre toute infection ou destruction. La version d'essai est activée après acceptation du contrat de licence du logiciel. Après 60 jours, vous devrez vous procurer un abonnement auprès de Symantec pour pouvoir télécharger les signatures de virus, de logiciels espions et de pourriel les plus récentes.

Roxio Easy Media Creator

Easy Media Creator vous permet de graver facilement des CD ainsi que d'organiser, d'éditer et de partager des photos numériques, de la musique, des données, et des vidéos.

CyberLink Makedisc

CyberLink MakeDisc vous permet de graver vos vidéos, présentations et programmes TV sur des disques, et de sauvegarder des fichiers de données sur des CD ou des DVD.

CyberLink YouCam

La webcam intégrée CyberLink YouCam vous permet de prendre des photos ou des films, d'y ajouter des effets spéciaux, et de les partager sous divers formats ou par l'intermédiaire de réseaux sociaux.

CyberLink PowerDVD

CyberLink PowerDVD vous permet de lire des DVD sur votre ordinateur.

CyberLink PowerDirector

CyberLink PowerDirector vous permet d'éditer et d'améliorer vos vidéos en les agrémentant notamment d'effets spéciaux.

OmniPass (application de reconnaissance des empreintes digitales)

Le capteur d'empreintes digitales utilise le logiciel Softex OmniPass qui fournit des fonctions de gestion de mot de passe aux systèmes d'exploitation Microsoft Windows. OmniPass vous permet d'utiliser un « mot de passe principal, ou maître » pour toutes les applications Windows et mots de passe en ligne, avec une interface d'utilisateur conviviale permettant de gérer en toute sécurité les mots de passe, les utilisateurs et les identités multiples pour chaque utilisateur.

Google Picasa

Google Picasa vous permet de rechercher, localiser, déplacer et étiquetter toutes les photos dans votre ordinateur.

Google Toolbar (Barre d'outils Google)

La barre d'outils Google vous permet de faire des recherches rapides sur Internet, de bloquer les fenêtres et de réaliser une gamme variée de tâches pour rendre votre utilisation d'Internet plus facile et plus plaisante.

Utilitaire PortShutter de Fujitsu

Cet utilitaire permet d'améliorer la sécurité sur votre système en permettant aux utilisateurs de définir des politiques restreignant l'accès à certains ports de l'ordinateur pour les autres utilisateurs. Avec PortShutter, vous pouvez : préciser les périphériques USB qui peuvent être utilisés (s'ils sont susceptibles de l'être), empêcher la copie d'informations confidentielles sur des supports amovibles, empêcher la connexion à des périphériques externes à travers lesquels des programmes illicites ou dangereux risquent d'être installés ou grâce auxquels des informations confidentielles peuvent être consultées, et aussi restreindre temporairement l'accès aux ports de l'ordinateur lorsque ce dernier est laissé sans surveillance.

Utilitaire de mise à jour des pilotes Fujitsu Driver Update

L'utilitaire Fujitsu Driver Update (FDU) est fourni avec votre système. Avec FDU, vous pouvez choisir d'aller automatiquement ou manuellement sur le site de Fujitsu pour obtenir les mises à jour récentes de votre système. Voir « Téléchargement automatique des mises à jour de pilotes » en page 131.

Système d'exploitation

Selon le système que vous avez choisi, une des configurations suivantes du système d'exploitation est installée :

Microsoft Windows XP Édition Professionnelle

Microsoft Office Ready avec Assistant d'activation Office

Microsoft Windows Vista Édition Professionnelle

Microsoft Office Ready avec Assistant d'activation Office

Microsoft Windows 7 Édition Professionnelle

Microsoft Office Ready avec Assistant d'activation Office

Microsoft Windows 7 Édition Professionnelle

Microsoft Office Ready avec Assistant d'activation Office

Microsoft® Office Ready avec Office Assistant

Avec les ordinateurs prêts à recevoir Office, il est encore plus facile de profiter du pack Office 2007 de Microsoft®. Les versions complètes de Office Basic (Edition de base), Small Business (PME) et Professionnel 2007 de Microsoft® sont préinstallées sur votre ordinateur, donc il n'y a aucune installation à faire. Avec ces PC prêts à recevoir Office, vous avez la possibilité d'activer une version d'essai de 90 jours de Microsoft® Office Professionnel 2007, pour cela, il vous suffit d'acheter le kit de licence Office 2007 qui convient pour débloquer la version complète de votre choix.

Fujitsu offre un kit de licence multimédia pour Microsoft® Office Small Business (PME) 2007. Vous n'avez qu'à saisir votre clé de produit et le logiciel est immédiatement prêt à l'emploi! Vous pouvez aussi acheter un kit de licence Microsoft® Office 2007 sans multimédia (MLK) auprès de votre détaillant de matériel informatique ou sur Internet chez Microsoft dans un délai de 90 jours après l'achat de votre ordinateur.



Glossaire

ACL

Affichage à cristaux liquides. Type d'écran produisant des images par contrôle de l'orientation de cristaux dans un liquide cristallin.

ACPI (Advanced Configuration and Power Interface)

Interface avancée de configuration et de gestion de l'énergie.

Adaptateur auto/avion

Un dispositif qui convertit le courant continu d'un allume-cigare de voiture ou une prise c.c. d'avion en courant continu à l'intensité voulue pour alimenter votre portable LifeBook.

Adaptateur secteur

Appareil convertissant une tension c.a. provenant d'une prise murale en un courant c.c. nécessaire à l'alimentation de votre ordinateur portable LifeBook.

Adresse IP

Un identifiant pour un ordinateur ou un périphérique sur un réseau TCP/IP. Les réseaux qui utilisent le protocole TCP/IP acheminent des messages en fonction de l'adresse IP de la destination. Le format d'une adresse IP est une adresse numérique de 32 bits qui s'écrit avec quatre nombres séparés par des points. Chaque numéro peut aller de 0 à 255. Par exemple, 1.160.10.240 pourrait être une adresse IP.

Au sein d'un réseau isolé, vous pouvez attribuer des adresses IP au hasard tant que chacune d'elles reste unique. Toutefois, la connexion d'un réseau privé à Internet exige l'utilisation d'adresses IP enregistrées (appelées adresses Internet) afin d'éviter les doublons.

Les quatre numéros dans une adresse IP sont utilisés de différentes façons pour identifier un réseau particulier et un serveur hôte. Trois registres régionaux Internet (ARIN, RIPE NCC et APNIC) attribuent des adresses Internet à partir des trois classes suivantes :

Classe A : accepte 16 millions de serveurs sur chacun des 126 réseaux.

Classe B : accepte 65 000 serveurs sur chacun des 16 000 réseaux.

Classe C : accepte 254 serveurs sur chacun des 2 millions de réseaux.

Le nombre d'adresses Internet non attribuées commence à manquer, aussi un nouveau schéma sans classe, appelé CIDR, remplace de plus en plus le système basé sur les classes A, B et C et est rattaché à l'adoption de la norme IPv6.

Adresse MAC (Media Access Control)

Adresse de contrôle d'accès au média. Adresse physique unique d'une carte réseau. Pour Ethernet, les trois premiers octets sont utilisés pour indiquer le code du vendeur, contrôlé et attribué par l'IEEE. Les trois autres octets sont contrôlés par chaque fabricant (pour empêcher toute superposition) ; en conséquence, chaque carte Ethernet reçoit une adresse physique unique au monde, ce qui permet de la distinguer parmi d'autres cartes. Lorsque la technologie Ethernet est utilisée, des trames sont envoyées et reçues en fonction de cette adresse.

ADSL (Asymmetric Digital Subscriber Line)

Ligne numérique à paire asymétrique. Technologie de transport de services à haut débit sur des lignes téléphoniques ordinaires.

AGP (Accelerated Graphics Port)

Littéralement : « Port graphique accéléré ». Port local spécialement conçu pour les périphériques utilisant beaucoup d'images graphiques, notamment les cartes vidéo et les accélérateurs 3D.

Amorçage

Démarrage d'un ordinateur et chargement de son système d'exploitation dans la mémoire vive (RAM), à partir du disque, de la mémoire ROM ou d'autres supports de stockage.

Authentification à clé partagée

Méthode d'authentification réseau établie par la spécification 802.11, selon laquelle le point d'accès transmet au client un paquet texte que le client doit crypter avec la bonne clé de réseau et renvoyer au point d'accès. Si le client possède la mauvaise clé ou s'il n'en a pas, l'authentification échouera et il ne sera pas autorisé à s'associer au point d'accès. L'authentification à clé partagée n'est pas considérée comme une méthode sûre, car un pirate qui accède au texte en clair et au texte crypté avec la clé WEP pourrait déchiffrer celle-ci.

Authentification ouverte

Méthode d'authentification établie dans la norme 802.11 selon laquelle un client sans fil n'est pas authentifié avant de pouvoir s'associer.

Batterie au lithium-ion

Type de batterie rechargeable ayant une puissance et une durée de vie importantes compte tenu de sa taille, et ne subissant pas l'effet de mémoire qui caractérise les batteries au nickel-cadmium.

BIOS

Acronyme signifiant Basic Input-Output System. Programme et ensemble de paramètres par défaut stockés dans la mémoire morte : il effectue des diagnostics et fait fonctionner votre ordinateur lorsque vous le mettez sous tension et agit ainsi jusqu'à ce que votre système d'exploitation se soit chargé à partir du disque. Les informations du BIOS sont transférées au système d'exploitation pour lui fournir des données sur la configuration et l'état du matériel.

Bit

Contraction de « Binary digit ». Unité simple d'information pouvant adopter la valeur 1 (un) ou 0 (zéro).

bit/s

Abréviation de « bits par seconde ». Unité utilisée pour mesurer le débit de transfert de données.

Bus

Circuit électrique qui transmet des données entre l'unité centrale et les sous-ensembles à l'intérieur de l'ordinateur.

c.c.

Courant continu. Courant qui ne fluctue pas périodiquement dans le temps.

Canal

Plage de fréquences à bande étroite utilisée par la carte réseau sans fil pour transmettre des données. IEEE 802.11b/g : 11 canaux dans la bande de 22 MHz.

CardBus

Version 32 bits plus rapide de l'interface PC Card dont les performances sont similaires à celles de l'architecture PCI 32 bits.

Clé de chiffrement (clé réseau)

Clé de chiffrement utilisée pour coder les textes de messages et pour effectuer les vérifications de l'intégrité des messages. La clé de chiffrement protège les données contre les interceptions non autorisées.

Ce dispositif utilise la même clé de chiffrement pour coder ou décoder les données ; cette dernière est obligatoire pour que l'émetteur et le receveur puissent communiquer.

Clé de réseau

Clé utilisée pour le chiffrement des données sur le réseau. La clé de réseau étant utilisée par l'ordinateur personnel pour crypter et décrypter les données, l'émetteur et le récepteur doivent utiliser la même clé.

Commande

Instruction que vous transmettez au système d'exploitation. Exemple : exécuter une application particulière ou formater une disquette.

Compatibilité Wi-Fi

Contraction de « Wireless Fidelity ». Une conformité Wi-Fi indique que le produit a réussi le test d'interopérabilité de la WECA (Wireless Ethernet Compatibility Alliance), ce qui garantit l'interopérabilité de produits de réseau sans fil IEEE 802.11. Pour plus de renseignements sur la norme Wi-Fi, visitez le site Web de la WECA à : www.wirelessethernet.com.

Configuration

Éléments matériels et logiciels qui composent le système et en définissent son fonctionnement.

CRT (Cathode Ray Tube)

Tube à rayons cathodiques. Moniteur dont l'affichage est assuré par un faisceau de particules électroniques qui frappe l'écran luminescent. Une image est produite par la variation de la position et de l'intensité du faisceau.

DES

Décharge électrostatique. Décharge électrostatique soudaine provenant d'une charge statique qui s'est accumulée lentement. Exemple : la décharge reçue d'une poignée de porte ou les étincelles générées par un brossage des cheveux par temps sec.

DHCP (Dynamic Host Configuration Protocol)

Il s'agit d'un protocole qui permet à un ordinateur qui se connecte sur un réseau d'obtenir dynamiquement sa configuration. Il est utilisé pour récupérer automatiquement des paramètres nécessaires à la communication, tels des adresses IP. L'émetteur d'une adresse IP s'appelle un serveur DHCP, et celui qui reçoit est un client DHCP.

DIMM

Barrette de mémoire à double rangée de connexions.

Disque dur

Support rotatif, circulaire, plat et très rigide pour le stockage magnétique de données.

DMA (Direct Memory Access)

Accès direct à la mémoire. Circuit spécial de transferts de données de mémoire à mémoire ne nécessitant pas l'intervention de l'UC.

DMI (Desktop Management Interface)

Interface de gestion du mode bureau. Norme qui permet aux applications de gestion d'ordinateur d'interroger et de configurer, localement ou à distance, des systèmes informatiques, des composants matériels et logiciels, ainsi que des périphériques.

DNS (Domain Name System)

Système d'adressage par domaines Fonction qui contrôle la correspondance entre l'adresse IP et le nom attribué à l'ordinateur. Il est possible de communiquer avec les ordinateurs dont les adresses IP sont inconnues, mais dont le nom est connu.

Données

Les informations stockées et traitées par un système.

DVMT (Dynamic Video Memory Technology)

Technologie DVMT ou de mémoire vive pour les fonctions vidéo. Topologie de mémoire vidéo permettant d'améliorer l'efficacité de la carte mère grâce à une utilisation innovante de la mémoire et à une exploitation en direct de l'AGP (port graphique accéléré).

E/S

Entrée/Sortie. Données électroniques entrant et sortant de votre ordinateur portable.

ECP (Extended Capability Port)

Port à capacités étendues. Ensemble de normes de transmission de données à haute vitesse et d'interconnexions entre appareils électroniques.

FCC (Federal Communication Commission)

Commission fédérale des communications (organisation gouvernementale américaine).

Go

Giga-octet. Un milliard d'octets.

HDMI

High-Definition Multimedia Interface (Interface multimédia haute définition). Ce port sert à connecter l'ordinateur à un téléviseur compatible. Le système HDMI est une liaison à câble unique permettant le transfert de données audio et vidéo haute définition.

Horloge système

Oscillateur à fréquence précise qui synchronise le fonctionnement du système et établit l'heure et la date.

IDE (Intelligent Drive Electronics)

Interface IDE L'interface IDE se caractérise par le fait que le contrôleur électronique du disque dur est intégré dans le même boîtier que ce dernier.

IEEE 802.11a

Norme de réseau sans fil autorisant un débit maximum théorique de 54 Mbit/s. Les cartes de norme 802.11a fonctionnent dans les bandes de fréquences UNII inférieures et intermédiaires de 5 GHz.

IEEE 802.11b

Norme de réseau sans fil autorisant un débit maximum théorique de 11 Mbit/s. Les cartes de norme 802.11b fonctionnent dans les bandes de fréquences ISM de 2,4 GHz.

IEEE 802.11g

Norme de réseau sans fil autorisant un débit maximum théorique de 54 Mbit/s. Les cartes de norme 802.11g fonctionnent dans les bandes de fréquences ISM de 2,4 GHz.

Infrarouge

Lumière dont la fréquence est juste en deçà de la partie rouge du spectre optique visible par l'œil humain.

Infrastructure

Nom d'une configuration de réseau local (LAN) sans fil. Ce type de communication utilise un point d'accès. Il existe également un autre type de communications appelé « Ad hoc ».

IR

Abréviation de « infrarouge ».

IrDA (Infrared Data Association)

Association pour le transfert de données par infrarouge. Une organisation de constructeurs qui développe les normes de communication utilisant l'infrarouge pour transmettre les données.

IRQ (Interrupt Request)

Demande d'interruption. Il s'agit d'un signal envoyé par le matériel à l'unité centrale indiquant qu'il y a nécessité de traiter un évènement externe qui vient de se produire.

Ko

Kilo-octet. Mille octets.

LAN (Local Area Network)

Réseau local. Interconnexion d'ordinateurs et de périphériques dans un emplacement délimité et permettant l'échange de programmes et de données.

Lecteur de disque

Dispositif qui fait tourner le disque et qui contient les têtes et les circuits de commande permettant la lecture et l'écriture de données sur le disque.

Masque de sous-réseau

Le réseau TCP/IP est commandé à l'aide d'une division en plusieurs sous-réseaux. Une adresse IP se compose d'une adresse de sous-réseau et de l'adresse de l'ordinateur. Le masque de sous-réseau détermine le nombre de bits formant l'adresse de sous-réseau dans l'adresse IP. La même valeur doit être utilisée pour tous les ordinateurs qui doivent communiquer sur le réseau.

MHz

Méga-hertz

Mo

Méga-octet. Un million d'octets.

Mode Ad Hoc

Le mode Ad Hoc désigne une topologie de réseau sans fil dans laquelle la connectivité entre les divers ordinateurs est établie sans périphérique central de réseau sans fil, ou point d'accès. La connectivité est établie uniquement à l'aide de périphériques clients dans une configuration égal à égal. Pour plus de détails, voir « Mode Ad hoc » en page 178.

Modem

Contraction de « Modulateur-DEModulateur ». L'appareil qui relie un ordinateur ou un autre terminal de traitement de données à une ligne de télécommunication.

Module RAM ou module de mémoire vive

Carte de circuit imprimé avec mémoire et circuit associé qui permet à l'utilisateur d'ajouter de la mémoire supplémentaire à l'ordinateur sans outil spécial.

Mono

Système qui utilise un seul canal pour traiter le son provenant de toutes les sources.

MTU (Maximum Transmission Unit)

Unité maximum de transmission

Taille maximum de données pouvant être transférées en une fois par Internet ou d'autres réseaux. Si vous rencontrez des difficultés à transférer des données à cause d'une taille maximum (MTU) trop élevée, vous pouvez définir une MTU inférieure pour que la communication aboutisse.

Mégahertz

1 000 000 de cycles par seconde.

Mémoire

Dépôt de données et d'applications auquel l'unité centrale de votre ordinateur portable LifeBook a directement accès.

Mémoire cache

Bloc de mémoire intégré au microprocesseur, auquel il est beaucoup plus rapide d'accéder qu'à la mémoire vive et utilisé de manière spéciale pour accélérer le débit global des données.

Nom de réseau (ou SSID, Service Set Identifier)

La configuration d'un réseau local sans fil fait appel à un regroupement pour éviter les interférences et le vol de données. Ce regroupement est effectué avec le « Nom de réseau (SSID) ». Pour améliorer la sécurité, la clé de réseau n'autorise aucune communication si le SSID ne lui correspond pas.

NTSC (National TV Standards Commission)

Commission nationale des normes TV. Norme de diffusion et de réception télévisuelle aux États-Unis.

Octet

Unité d'information comprenant 8 bits d'informations binaires parallèles.

Partition

Bloc d'espace réservé sur un disque dur, que le système d'exploitation considère comme étant un disque distinct et qu'il gère en conséquence.

Pas de touche (clavier)

La distance entre les centres des touches de lettres d'un clavier.

PCMCIA

PCMCIA est une marque de commerce de la Personal Computer Memory Card International Association. La PCMCIA (association internationale des cartes de mémoire pour ordinateur personnel) est l'organisme qui définit les normes relatives aux cartes d'extension pour ordinateurs.

Pilote

Programme qui traduit les commandes envoyées par les applications et le système d'exploitation aux périphériques externes dans la forme exacte exigée par une marque et un modèle particulier afin de produire les résultats voulus avec le matériel employé.

Pixel

Le plus petit élément d'affichage, point de couleur à l'écran. Plus la densité de pixels est élevée, plus l'image est nette.

Point d'accès

Périphérique de réseau sans fil servant de pont de communication entre un réseau sans fil et un réseau câblé.

Port COM

Abréviation de « Port de communication ». C'est le connecteur d'interface série.

Port E/S

Connecteur et circuits de commande associés à travers lesquels transitent les données électroniques entrant et sortant de votre ordinateur.

Port LPT (Line Printer Port)

Port d'imprimante par ligne. Expression désignant les ports d'interface parallèle, car les imprimantes par ligne ont été les premiers types, et plus tard les types les plus communs, de périphériques connectés aux ports parallèles.

Port série

Connexion à un autre périphérique par lequel les données sont transférées à raison d'un bit à la fois sur un seul fil conducteur, les autres fils conducteurs servant à la commande du périphérique et non au transfert de données.

POST (Power On Self Test)

Auto-diagnostic (ou auto-test) de mise sous tension. Programme faisant partie du BIOS, qui vérifie la configuration et les conditions de fonctionnement de votre matériel chaque fois que votre portable est allumé. Des messages d'état et d'erreur peuvent être affichés avant que le système d'exploitation ne se charge. Si l'autotest détecte une panne qui est si importante que le fonctionnement ne peut pas continuer, le système d'exploitation ne sera pas chargé.

PPPoE (Point to Point Protocol over Ethernet)

Littéralement, « Protocole Ethernet Point à Point » Protocole Ethernet faisant appel au protocole point à point (PPP) et utilisé pour la connexion à une ligne téléphonique.

Programme

Ensemble intégré de commandes codées indiquant à l'ordinateur ce qui doit être fait, ainsi que quand et comment le faire.

Protocole

Ensemble de procédures et de règles régissant la réception et l'envoi de données entre ordinateurs.

- Méthode d'envoi et de réception de données
- Processus utilisé pour traiter les erreurs de communication

Pour assurer un transfert correct des informations, les conditions requises pour la communication sont organisées dans des procédures.

Périphérique

Équipement qui effectue une fonction spécifique associée à un ordinateur mais qui ne fait pas partie de cet ordinateur. Exemples : imprimante, modem, CD-ROM.

RAM (Random Access Memory)

Mémoire à accès direct, ou mémoire vive. Composant matériel de votre ordinateur LifeBook qui stocke des informations binaires (programme et données) tant qu'il est alimenté par une source de courant.

Redémarrage

Voir Réinitialisation.

Reprise

Continuer après une interruption. Dans le cas de votre portable, ceci signifie la reprise des activités normales à partir de l'un des modes de veille.

ROM (Read Only Memory)

Mémoire en lecture seule, ou mémoire morte Type de mémoire où les données sont stockées par transformation physique de la matière. Les données stockées de cette façon ne peuvent pas être modifiées par l'ordinateur et leur conservation n'exige pas de source de courant.

Réinitialisation

Le fait de charger à nouveau le système d'exploitation. Une réinitialisation efface toutes les informations stockées dans la mémoire vive.

SDRAM

Mémoire vive dynamique synchrone. C'est un type de mémoire vive.

Sommeil

Mode dans lequel l'ordinateur est temporairement inactif. Votre LifeBook utilise plusieurs modes de veille afin de réduire la consommation électrique et de prolonger la charge de votre batterie.

SSID (Service Set Identifier)

Identificateur de services à 32 caractères ajouté à l'entête des paquets transmis sur un réseau sans fil, qui sert de mot de passe lorsqu'un périphérique mobile tente de se connecter à l'ensemble de services de base (BSS, ou Basic Service Set en anglais). L'identifiant SSID distingue un réseau sans fil d'un autre, de telle manière que tous les points d'accès et périphériques qui tentent de se connecter à un réseau donné doivent utiliser le même identifiant. Un périphérique ne peut être autorisé à accéder au BSS que s'il fournit le SSID unique. Le SSID étant diffusé en texte clair, il n'assure aucune sécurité du réseau.

Stéréo (audio)

Système qui utilise deux canaux pour traiter le son provenant de deux sources différentes.

SVGA

Super VGA.

Système d'exploitation

Groupe de programmes de contrôle qui convertissent les commandes des applications, y compris les pilotes, dans la forme exacte exigée par une marque et un modèle particuliers de processeur afin de produire les résultats voulus avec le matériel employé.

TCP/IP (Transmission Control Protocol/Internet Protocol)

Littéralement, « Protocole de Contrôle de Transmission/Protocole Internet ». Protocole Internet standard le plus utilisé.

TFT (Thin Film Transistor)

Abréviation de « Thin Film Transistor ». Technologie d'écrans plats qui utilise une mince matrice de transistors pour commander individuellement chaque pixel de l'écran.

UL (Underwriters Laboratories)

L'« Underwriters Laboratories » est un organisme indépendant qui effectue les tests de sécurité électrique des appareils et accorde les homologations correspondantes.

USB

Bus série universel. Norme permettant de connecter simultanément à un ordinateur jusqu'à 127 périphériques USB comme des manettes de jeu, des dispositifs de pointage, des imprimantes ou des claviers.

Valeur par défaut

Valeur préprogrammée à utiliser si vous n'en définissez pas une autre.

Voyant d'état

Voyant indiquant l'état de certains composants de votre système. Sur votre ordinateur portable LifeBook, il s'agit d'un écran ACL situé juste au-dessus du clavier.

WLAN (Wireless Local Area Network)

Réseau local sans fil. Interconnexion sans fil d'ordinateurs et de périphériques dans un emplacement géographiquement délimité et permettant l'échange de programmes et de données.

Écran à matrice active

Type d'écran plat où un transistor ou un composant similaire est associé à chaque pixel de l'écran.

Renseignements sur la réglementation

Avis

Les changements ou modifications qui ne sont pas expressément approuvés par Fujitsu pourraient interdire aux utilisateurs d'utiliser le matériel.

AVIS DE LA FCC

Avis aux utilisateurs de postes radio et de téléviseurs

Cet appareil a été testé et jugé conforme aux limites établies pour le matériel numérique de classe B, selon la Partie 15 des règlements de la FCC.

Ces limites sont conçues pour assurer une protection raisonnable contre les interférences nuisibles dans un environnement résidentiel. Cet appareil génère, utilise et émet de l'énergie radiofréquence et, si son installation et son utilisation ne sont pas conformes aux instructions, il peut être la cause de parasites nuisibles aux communications radio. Il n'est toutefois pas garanti qu'aucune interférence ne sera observée dans un environnement particulier. Si ce matériel cause des interférences nuisibles à la réception des ondes de radio ou de télévision, ce qui peut être vérifié en le mettant hors tension puis sous tension, l'utilisateur devra tenter de les corriger en procédant comme suit :

- Réorienter ou déplacer l'antenne réceptrice.
- Accroître la distance entre l'appareil et le récepteur.
- Brancher l'appareil sur une prise reliée à un circuit différent de celui sur lequel le récepteur est branché.
- Consulter le vendeur ou un technicien radio/télévision expérimenté pour obtenir de l'aide.

Des câbles de liaison à paires torsadées blindées doivent être utilisés pour assurer la conformité aux limites d'émission RF qui gouvernent ce dispositif.

Avis aux utilisateurs du réseau téléphonique américain.

Cette installation est conforme à la partie 68 de la réglementation de la FCC, ainsi qu'aux normes techniques relatives au raccordement des réseaux téléphoniques publiées par l'ACTA (Administrative Council for Terminal Attachments). Sous l'appareil se trouve une étiquette indiquant, entre autres, le numéro d'immatriculation FCC et le numéro d'équivalence sonnerie (NES) de cet appareil ou un identifiant du produit au format US:AAAEQ##TXXXX. Si nécessaire, ces informations ou ce numéro doivent être communiqués à votre entreprise de téléphone.

Cet équipement est conçu pour être connecté à un réseau local ou à un réseau téléphonique public avec une prise téléphone modulaire standard de type USOC RJ11C. Le connecteur mâle et la prise femelle utilisés pour relier ce matériel au câblage local et au réseau téléphonique doivent respecter les normes stipulées dans la partie 68 des règles de la FCC et aux normes de l'ACTA. Un cordon et une fiche modulaire conformes sont fournis avec cet appareil. Il est conçu pour être relié à une prise modulaire compatible, également conforme.

Le numéro d'équivalence sonnerie (NES) de cet appareil est 0.1B comme l'indique l'étiquette. Le numéro NES sert à déterminer le nombre d'appareils pouvant être connectés à une ligne téléphonique. S'il y a trop de NES sur une ligne téléphonique, il se peut que les appareils ne sonnent pas lorsqu'un correspondant vous appelle. Dans la plupart des régions, le total des NES ne doit pas dépasser cinq (5.0). Mettez-vous en rapport avec votre entreprise de téléphone locale afin de déterminer le nombre maximum d'appareils pouvant être raccordés sur une ligne.

Si cet équipement perturbe le réseau téléphonique, l'entreprise de téléphone pourra vous avertir à l'avance de la nécessité d'une interruption temporaire de service. Mais si l'entreprise ne peut pas avertir à l'avance, elle informera l'utilisateur le plus tôt possible. Vous serez également informé de votre droit de déposer une réclamation auprès de la FCC si vous le jugez nécessaire.

La compagnie de téléphone peut apporter des modifications à ses installations, à son équipement et à ses opérations ou procédures qui pourraient avoir une incidence sur le fonctionnement de cet équipement. Si c'est le cas, l'entreprise de téléphone vous en avertira à l'avance afin que vous puissiez apporter les modifications nécessaires permettant de conserver une liaison téléphonique ininterrompue.

Si vous rencontrez des problèmes avec cet appareil ou si vous désirez obtenir des renseignements concernant la réparation ou les conditions de garantie, veuillez consulter le guide d'utilisation de l'appareil ou contacter le service clients de la société Fujitsu Computer Systems. Si l'équipement brouille les communications du réseau téléphonique, l'entreprise de téléphone peut vous demander de débrancher l'installation jusqu'à la résolution du problème.

L'appareil ne peut pas être utilisé sur un téléphone public de l'entreprise de téléphone. Le raccordement à un service de lignes groupées est soumis aux tarifs locaux en vigueur (pour en savoir plus, contactez les autorités compétentes en matière de télécommunications).

Si votre domicile est équipé d'un système d'alarme raccordé à la ligne téléphonique, assurez-vous que l'installation de cet ordinateur ne mette pas votre alarme hors service. Pour toutes questions concernant les éléments qui mettent l'alarme hors service, consultez votre entreprise de téléphone ou un installateur agréé.

La Loi de 1991 sur la protection des utilisateurs du téléphone stipule qu'il est illégal, pour toute personne, d'utiliser un ordinateur ou tout autre dispositif électronique pour envoyer par fax un message ne contenant pas clairement en marge, en haut ou en bas de chaque page transmise ou sur la première page de la transmission, la date et l'heure auxquelles il a été envoyé, une identification de la société ou autre entité, ou de l'individu envoyant le message, ainsi que le numéro de téléphone de ce dispositif ou de l'entreprise, de l'entité ou de l'individu.

AVIS DOC (INDUSTRIE CANADA)

Avis aux utilisateurs de postes radio et de téléviseurs

Cet appareil numérique de classe B respecte toutes les exigences de la Réglementation canadienne sur le matériel brouilleur.

Avis aux utilisateurs du réseau téléphonique canadien

AVIS : Cet appareil répond aux spécifications techniques d'Industrie Canada sur les équipements terminaux. Ceci est confirmé par le numéro d'enregistrement. Le sigle « IC » devant le numéro d'enregistrement signifie que ce dernier a été réalisé selon une Déclaration de conformité qui indique que les spécifications techniques ont été respectées. Il ne constitue pas une approbation de l'appareil par Industrie Canada.

Avant de relier cet appareil à une ligne de téléphone, l'utilisateur devrait s'assurer qu'il est autorisé à brancher cet appareil sur les installations de l'entreprise locale de télécommunications. L'utilisateur doit savoir que le respect des normes de certification n'empêche pas les dégradations de service dans certaines situations.

Les réparations sur un appareil de télécommunication doivent être effectuées par un centre d'entretien canadien agréé. Toute réparation ou modification non approuvée par Fujitsu, ainsi que tout dysfonctionnement de matériel, peuvent conduire une entreprise de téléphone à demander à l'utilisateur de débrancher l'appareil de la ligne de téléphone.

AVIS : Le numéro d'équivalence sonnerie (NES) de cet appareil terminal est 0.1B. Le NES attribué à chaque dispositif terminal indique le nombre maximal de terminaux pouvant être raccordés à une interface téléphonique. La terminaison d'une interface peut consister en une combinaison quelconque de dispositifs, à la seule condition que le total des numéros d'équivalence sonnerie de tous les dispositifs n'excède pas 5.



L'UTILISATEUR DOIT S'ASSURER QUE LES CONNEXIONS À LA TERRE, AUX LIGNES TÉLÉPHONIQUES ET AUX CANALISATIONS MÉTALLIQUES D'EAU SONT BIEN RACCORDÉES LES UNES AUX AUTRES. EN AUCUN CAS L'UTILISATEUR NE DOIT EFFECTUER CES RACCORDEMENTS LUI-MÊME. IL DOIT IMPÉRATIVEMENT S'ADRESSER AUX INSTANCES DE CONTRÔLE DES INSTALLATIONS ÉLECTRIQUES OU À UN ÉLECTRICIEN, SELON LE CAS. CETTE PRÉCAUTION PEUT ÊTRE PARTICULIÈREMENT IMPORTANTE DANS LES ZONES RURALES.

Notice to Users of the Canadian Telephone Network

NOTICE: This equipment meets the applicable Industry Canada Terminal Equipment Technical Specifications. This is confirmed by the registration number. The abbreviation, IC, before the registration number signifies that registration was performed based on a Declaration of Conformity indicating that Industry Canada technical specifications were met. It does not imply that Industry Canada approved the equipment.

Before connecting this equipment to a telephone line the user should ensure that it is permissible to connect this equipment to the local telecommunication facilities. The user should be aware that compliance with the certification standards does not prevent service degradation in some situations.

Repairs to telecommunication equipment should be made by a Canadian authorized maintenance facility. Any repairs or alterations not expressly approved by Fujitsu or any equipment failures may give the telecommunication company cause to request the user to disconnect the equipment from the telephone line.

NOTICE: The Ringer Equivalence Number (REN) for this terminal equipment is 0.1B. The REN assigned to each terminal equipment provides an indication of the maximum number of terminals allowed to be connected to a telephone interface. The termination on an interface may consist of any combination of devices subject only to the requirement that the sum of the Ringer Equivalence Numbers of all the devices does not exceed five.



FOR SAFETY, USERS SHOULD ENSURE THAT THE ELECTRICAL GROUND OF THE POWER UTILITY, THE TELEPHONE LINES AND THE METALLIC WATER PIPES ARE CONNECTED TOGETHER. USERS SHOULD NOT ATTEMPT TO MAKE SUCH CONNECTIONS THEMSELVES BUT SHOULD CONTACT THE APPROPRIATE ELECTRIC INSPECTION AUTHORITY OR ELECTRICIAN. THIS MAY BE PARTICULARLY IMPORTANT IN RURAL AREAS.

Annexe A : Guide d'utilisation de la carte de réseau local sans fil



Renseignements sur la réglementation de la FCC

Veillez prendre note des renseignements suivants sur la réglementation relative à la carte réseau sans fil en option.

Remarques et déclarations réglementaires

Santé et autorisation d'utilisation – Carte réseau sans fil

Une carte réseau sans fil émet de l'énergie électromagnétique radiofréquence. Les niveaux d'énergie de ces émissions sont toutefois beaucoup moins élevés que ceux d'autres appareils sans fil, tels que les téléphones cellulaires. La carte réseau sans fil peut être utilisée en toute sécurité car son fonctionnement est conforme aux recommandations et aux normes de sécurité en matière de radiofréquences. L'usage d'une carte réseau sans fil peut être limité dans certaines situations ou certains environnements, notamment :

- à bord d'un avion ;
- dans un lieu contenant des matières explosives ;
- dans des situations où le risque d'interférence avec d'autres appareils ou services est jugé dangereux.

Lorsque la politique d'utilisation des cartes réseaux sans fil de certains lieux à risque n'est pas bien définie (par exemple, dans les aéroports, les hôpitaux, les usines de produits chimiques, les raffineries de pétrole ou de gaz et dans les édifices privés), obtenez d'abord une autorisation.

Renseignements sur la réglementation et avis de non-responsabilité

Cette carte réseau sans fil doit être installée et utilisée conformément aux instructions de la documentation livrée avec le produit. Toute modification apportée sans l'approbation expresse du fabricant peut annuler le droit de l'utilisateur de s'en servir. Le fabricant n'est pas responsable des interférences avec la réception des ondes de radio ou de télévision causées par une modification non autorisée ou par le remplacement ou le raccord de câbles et de matériel de connexion autres que ceux prescrits par le fabricant. Il incombe à l'utilisateur de remédier aux interférences causées par une telle modification, substitution ou connexion non autorisée. Le fabricant et ses revendeurs ou distributeurs autorisés ne peuvent être tenus responsables des dommages ni de toute infraction à la réglementation gouvernementale résultant du non-respect de ces directives.

Cet appareil ne doit pas être utilisé avec ou à proximité immédiate d'une antenne ou d'un émetteur.

Avis concernant les réseaux sans fil IEEE 802.11a : Le matériel destiné à un usage sur la bande 5,15~5,25 GHz doit être utilisé uniquement à l'intérieur et son antenne doit être intégrale.

Déclarations concernant la réglementation de la FCC

Ce matériel est conforme aux limites définies dans la Partie 15 des règlements de la FCC.

Son fonctionnement est soumis aux deux conditions suivantes : (1) cet appareil ne doit pas causer d'interférence nuisible ; (2) cet appareil doit accepter toutes les interférences reçues, y compris celles pouvant causer un mauvais fonctionnement de l'appareil.

Déclaration concernant les dispositions de la FCC sur les interférences

Cet appareil a été testé et reconnu conforme aux limites établies pour le matériel numérique de classe B, selon la Partie 15 des règlements de la FCC. Ces limites sont conçues pour assurer une protection raisonnable contre les interférences nuisibles dans un environnement résidentiel. Cet appareil génère, utilise et peut émettre de l'énergie radiofréquence. S'il n'est pas installé et utilisé conformément aux instructions, il peut causer des interférences nuisibles aux communications radio. Il n'est toutefois pas garanti qu'aucune interférence ne sera observée dans un environnement particulier.

Si ce matériel cause des interférences nuisibles à la réception des ondes de radio ou de télévision, ce qui peut être vérifié en le mettant hors tension puis sous tension, l'utilisateur devra tenter de les corriger en procédant comme suit :

- 1** Réorienter ou déplacer l'antenne réceptrice.
- 2** Éloigner le matériel du récepteur.
- 3** Brancher le matériel sur une prise alimentée par un circuit différent de celui du récepteur.
- 4** Consulter le vendeur ou un technicien radio/télévision expérimenté pour obtenir de l'aide.

Déclaration concernant la réglementation de la FCC sur l'exposition aux radiofréquences

Selon les données scientifiques disponibles, il n'existe pas de problèmes de santé liés à l'utilisation des périphériques sans fil de faible puissance. En revanche il n'existe pas non plus de preuves qui démontrent que ces périphériques sont absolument dépourvus de risques. Les périphériques sans fil de faible puissance ÉMETTENT, lors de leur utilisation, un taux de radiofréquence faible au même niveau que la plage des micro-ondes. Alors que des niveaux élevés de RF risquent d'entraîner des effets néfastes sur la santé (en chauffant les tissus), l'exposition à un faible niveau de RF ne provoque pas les effets calorifiques qui ont un effet adverse sur la santé. De nombreuses études portant sur l'exposition à de faibles taux de RF n'indiquent aucun effet biologique. Certaines études laissent entendre que des effets biologiques sont possibles, mais ces conclusions n'ont pas été confirmées par des recherches supplémentaires. La carte de réseau local sans fil a été testée et les résultats obtenus sont conformes aux limites établies par la FCC en matière d'exposition au rayonnement d'un équipement non contrôlé ; ainsi que les directives de la FCC en matière d'exposition aux radiofréquences selon le Supplément C du Bulletin IOET65.

Restrictions concernant l'exportation

Ce produit ou logiciel contient du code de chiffrement qui ne peut être exporté ou transféré du Canada ou des États-Unis sans un permis d'exportation du département du commerce des États-Unis. Ce matériel est conforme à la Partie 15 des règlements de la FCC, ainsi qu'à la norme ICES 003 B/NMB 003 B. Son fonctionnement est soumis aux deux conditions suivantes : (1) cet appareil ne doit pas causer d'interférence nuisible ; (2) cet appareil doit accepter toutes les interférences reçues, y compris celles pouvant causer un mauvais fonctionnement de l'appareil. Toute modification n'ayant pas été expressément approuvée par la société Fujitsu Computer Systems peut annuler le droit de l'utilisateur de se servir du matériel.

Avis pour le Canada

Le matériel destiné à un usage sur la bande 5 150 - 5 250 MHz doit être utilisé uniquement à l'intérieur afin de réduire les risques de brouillage nuisible causé aux systèmes mobiles par satellite fonctionnant sur un même canal.

Un gain d'antenne de 6 dBi est autorisé (pour le matériel utilisant les bandes 5 250 - 5 350 MHz, 5 470 - 5 725 MHz et 5 725 - 5 825 MHz), conformément à la limite p.i.r.e. maximale permise selon l'annexe A9.2 afférent aux périphériques RSS210.

En outre, les utilisateurs doivent prendre garde au fait que les radars de grande puissance sont considérés comme des utilisateurs principaux (ce qui signifie qu'ils sont prioritaires) des bandes 5 250 - 5 350 MHz et 5 650 - 5 850 MHz et qu'ils pourraient causer des interférences ou des dommages aux appareils de réseau exempts de licence.

Avant d'utiliser la carte réseau sans fil en option

Ce guide explique comment installer et configurer correctement la carte réseau sans fil mini-PCI intégrée (disponible en option), ci-après désignée sous le nom de « carte réseau sans fil ». Avant d'utiliser la carte réseau sans fil, lisez attentivement le présent guide afin de bien comprendre son fonctionnement. Conservez ce guide en lieu sûr afin de pouvoir vous y référer ultérieurement.

Cartes réseau sans fil présentées dans ce document

Ce document s'applique aux systèmes équipés de l'une des deux cartes suivantes :

- Carte intégrée Intel Centrino Advanced-N 6200 (802.11abgn 2x2)
- Carte Atheros XSPAN 802.11bg)

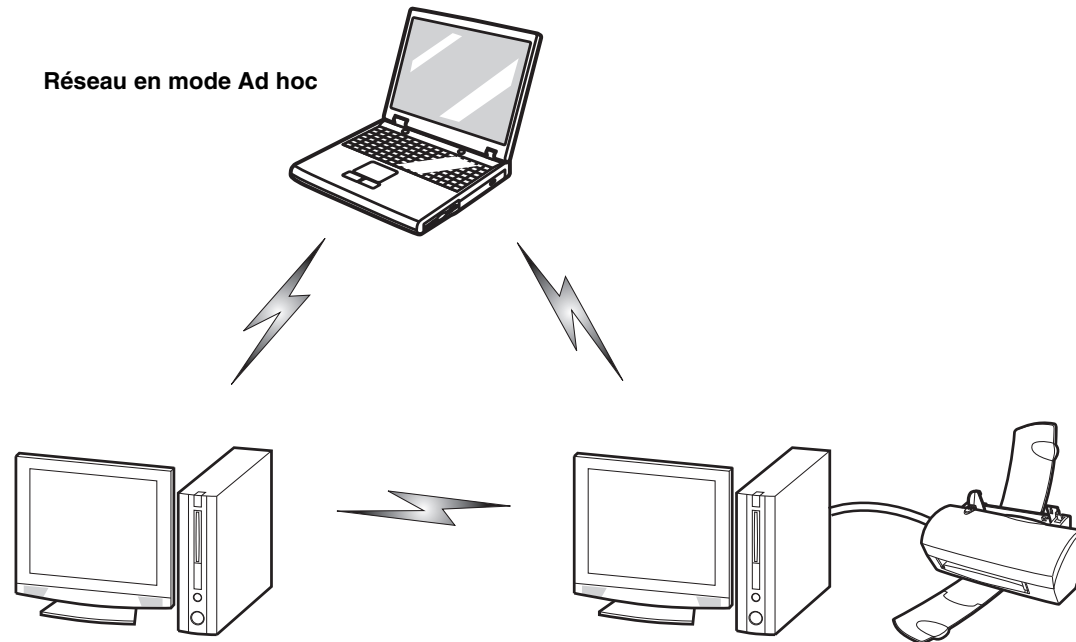
Caractéristiques de la carte réseau sans fil

- Les cartes réseau sans fil sont des cartes au format Mini-PCI, connectées à la carte mère de l'ordinateur portable.
- Elles fonctionnent dans les bandes RF pouvant être utilisées sans autorisation spéciale, ce qui élimine le besoin d'obtenir une licence de la FCC pour les radiocommunications. Elles fonctionnent dans la bande industrielle, scientifique et médicale (ISM) de 2,4 GHz et dans les bandes UNII (Unlicensed National Information Infrastructure) inférieures, intermédiaires et supérieures (5 GHz).
- Les cartes réseau sans fil peuvent être utilisées selon quatre modes de fonctionnement : IEEE 802.11a, IEEE 802.11b, IEEE 802.11g et IEEE 802.11n.
- Les cartes réseau sans fil sont certifiées Wi-Fi et fonctionnent à un débit maximal théorique de 540 Mbit/s en mode IEEE 802.11n, de 54 Mbit/s en mode IEEE 802.11a ou IEEE 802.11g, et de 11 Mbit/s en mode IEEE 802.11b.
- Les cartes réseau sans fil prennent en charge les modes de chiffrement WEP, TKIP, CKIP et AES.
- Elles sont conformes aux normes suivantes : WPA, WPA2, CCX1.0, CCX2.0, CCX3.0 et CCX4.0.

Modes de réseau sans fil compatibles avec cette carte

Mode Ad hoc

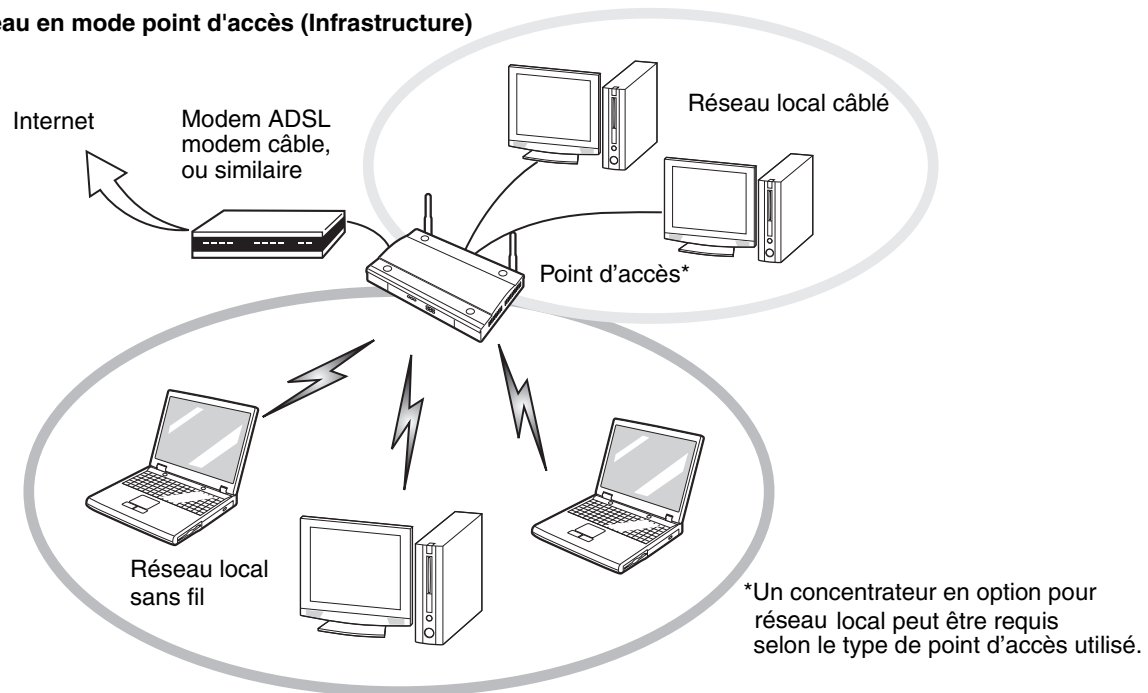
Le mode Ad hoc désigne une topologie de réseau sans fil dans laquelle la connectivité entre les divers ordinateurs est établie sans périphérique central de réseau sans fil, ou point d'accès. La connectivité est établie uniquement à l'aide de périphériques clients dans une configuration égal à égal. Les réseaux Ad hoc sont donc également connus sous le nom de réseaux d'égal à égal. Un réseau Ad hoc est une méthode aisée et peu coûteuse de relier plusieurs ordinateurs en réseau. Le mode Ad hoc exige que les paramètres de nom de réseau SSID, d'authentification réseau et de clé de chiffrement soient configurés de façon identique sur tous les ordinateurs du réseau.



Mode point d'accès (Infrastructure)

Le mode Infrastructure désigne une topologie de réseau sans fil dans laquelle les appareils communiquent au sein d'un réseau sans fil ou câblé par l'intermédiaire d'un point d'accès. En mode Infrastructure, les appareils sans fil peuvent communiquer directement entre eux ou sur un réseau câblé. Les réseaux sans fil d'entreprise fonctionnent en mode Infrastructure car ils nécessitent une connexion au réseau local sans fil pour accéder aux ordinateurs, aux périphériques et aux services (par exemple, serveurs de fichier, imprimantes et bases de données).

Réseau en mode point d'accès (Infrastructure)



Manipulation de la carte réseau sans fil

La carte réseau local sans fil est un dispositif en option qui peut être fourni avec votre ordinateur portable. Normalement, vous ne devriez pas avoir besoin de la retirer ou de la réinstaller. Le système d'exploitation de l'ordinateur est déjà configuré pour utiliser la carte réseau sans fil.

- La carte Intel WiFi Link 5300 fonctionne dans les modes IEEE 802.11a, IEEE 802.11b, IEEE 802.11g, et IEEE 802.11n.
- Elle fonctionne dans la bande ISM de 2,4 GHz et dans les bandes UNII inférieures, intermédiaires et supérieures (5 GHz).
- Les fours micro-ondes peuvent interférer avec la carte réseau sans fil car ils utilisent la même bande de fréquences (2,4 GHz) que les spécifications IEEE 802.11b/g/n. Les fours micro-ondes ne causent aucune interférence en mode IEEE 802.11a car celui-ci utilise la bande radiofréquence de 5 GHz.
- Les appareils sans fil qui émettent dans la bande de fréquences de 2,4 GHz peuvent nuire au fonctionnement des périphériques IEEE 802.11b/g/n. Les symptômes associés aux interférences incluent une réduction du débit, des coupures intermittentes de connexion et un nombre important d'erreurs de trames. Il est **FORTEMENT** recommandé de mettre hors tension les appareils générant des interférences afin d'assurer le bon fonctionnement de la carte réseau sans fil.

Désactivation/déconnexion de la carte réseau sans fil

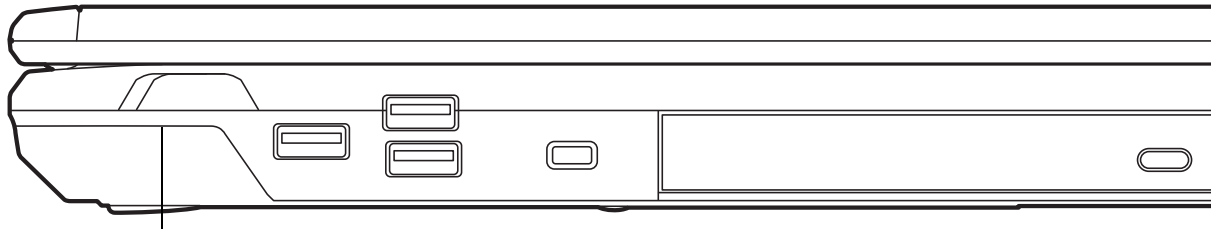
La désactivation de la carte réseau sans fil peut être souhaitable dans certaines circonstances (pour prolonger la vie de la batterie) ou dans des endroits où l'utilisation des appareils électroniques est réglementée (par exemple : hôpitaux, cliniques, avions, etc.). La carte réseau sans fil peut être désactivée avec le commutateur marche/arrêt correspondant ou avec Windows, en utilisant l'icône correspondante dans la zone de notification (Remarque : cette deuxième procédure n'éteindra pas la radio : l'émission et la réception continueront bien que la carte réseau ait été désactivée.).



AVANT D'UTILISER VOTRE CARTE RÉSEAU SANS FIL, VOUS DEVEZ D'ABORD INSTALLER CLICK ME! POUR VOUS ASSURER QUE LE BON PROGRAMME DE CARTE EST INSTALLÉ. VOIR « INSTALLATION DE CLICK ME! » EN PAGE 58.

Désactivation avec le commutateur de dispositif sans fil

La carte réseau sans fil peut être désactivée rapidement et efficacement en mettant le commutateur correspondant en position OFF (arrêt). Notez que ce commutateur n'a aucun effet sur les modèles fournis d'une carte pour réseau local filaire.



Commutateur de la carte réseau sans fil

Figure 33. Emplacement du commutateur de dispositif sans fil

Désactivation par l'icône dans la zone de notification

Notez qu'avec cette procédure, la radio ne sera pas éteinte, l'émission et la réception sont toujours actives bien que la carte ne soit plus connectée.

- 1 Faites un clic droit sur l'icône Carte réseau sans fil dans la zone de notification en bas à droite de l'écran.
- 2 Choisir Se déconnecter d'un réseau.

Activation de la carte réseau sans fil

La carte réseau sans fil peut être activée de la même façon que pour sa désactivation.

- Avec le commutateur correspondant
- Sous Windows, en cliquant à l'aide du bouton droit de la souris l'icône de la carte réseau sans fil puis en cliquant sur « Connexion à un réseau »

Configuration de la carte réseau sans fil

La carte réseau sans fil en option peut être configurée pour établir la connectivité du réseau sans fil en utilisant le logiciel intégré dans Windows Vista. Il prend également en charge la plupart des solutions de sécurité standard.

Certains paramètres prédéfinis seront requis pour cette procédure. Pour les obtenir, consulter votre administrateur de réseau :

Configuration du réseau local sans fil avec Windows Vista et Windows 7

- 1 Cliquez sur le bouton Démarrer, puis sélectionnez Panneau de configuration.
- 2 Dans Windows Vista: Si le Panneau de configuration n'est pas en affichage classique, sélectionnez « Basculer vers l'affichage classique » sur le panneau de gauche. Cliquez sur l'icône Réseau et Partage. Dans Windows 7 : Si le Panneau de configuration n'est pas en mode d'affichage par icônes, sélectionnez soit Grandes Icônes, soit Petites Icônes en mode d'Affichage en : liste déroulante. Double-cliquez sur l'icône du Centre de réseau et partage.
- 3 Dans le panneau de gauche, sélectionnez Se connecter à un réseau.
- 4 Sélectionnez un des réseaux de la liste, puis cliquez sur [Connexion].
- 5 Suivez les instructions à l'écran.
- 6 Dans l'éventualité d'un besoin d'aide, allez à la fenêtre du Centre de réseau et partage (Démarrer -> Panneau de configuration -> Centre de réseau et partage) et entrez les mots-clés dans la boîte Recherche.
- 7 Dans l'éventualité d'un besoin d'aide, allez à la fenêtre du Centre de réseau et partage ([Démarrer] -> **Panneau de configuration -> Centre de réseau et partage**) et entrez les mots-clés dans la boîte Recherche.

Se connecter à un réseau

Après avoir configuré votre ordinateur, vous pouvez vous connecter à un réseau actif en réalisant les étapes suivantes :

- 1 Cliquez sur l'icône de la carte réseau sans fil de la zone de notification.
- 2 Sélectionnez « Connexion à un réseau ».
- 3 Sélectionnez un réseau dans la liste qui apparaît et cliquez sur le bouton [Connexion]

Configuration du réseau local sans fil avec Windows XP

Procédure

- 7** Cliquez sur le bouton Démarrer, puis sélectionnez Panneau de configuration.
- 8** Si le Panneau de configuration n'est pas en affichage classique, sélectionnez « Basculer vers l'affichage classique » sur le panneau de gauche. Double-cliquez sur l'icône Connexions réseau.
- 9** Sélectionnez l'assistant « Créer une nouvelle connexion ».
- 10** Cliquez sur le bouton [Suivant].
- 11** Sélectionnez « Établir une connexion à Internet », puis cliquez sur [Suivant].
- 12** Selon le type de connexion que vous souhaitez faire, faites une sélection. Pour un réseau en mode infrastructure, sélectionnez « Configurer ma connexion manuellement ». Pour un réseau ad hoc, sélectionnez « Choisir dans une liste de fournisseurs de services Internet ».
- 13** Entrez les informations requises. Il se peut que vous deviez consulter votre administrateur de réseau pour certaines informations.
- 14** Si vous avez besoin d'aide, allez à [Démarrer] -> Aide et soutien (ou support) -> Gestion du réseau et Web. Sélectionnez le sujet qui vous intéresse, puis tapez les mots-clés s'y rapportant dans la case Rechercher.

Connexion au réseau

- 15** Une fois la configuration effectuée, vous pouvez vous connecter à un réseau actif en cliquant sur l'icône « Connexion réseau sans fil » de la zone de notification.

Dépannage de la carte réseau sans fil

Dépannage

Le tableau ci-dessous présente les causes possibles et les mesures correctives pour différents problèmes de réseau sans fil.

Problème	Cause possible	Solution possible
Réseau indisponible connexion	Nom de réseau (SSID) ou clé WEP non valide	<p>Connexion en mode Ad hoc : Assurez-vous que le SSID et la clé WEP de tous les ordinateurs du réseau ont été configurés correctement. Les noms de réseau et les valeurs de la clé WEP doivent être identiques sur chaque ordinateur.</p> <p>Connexion en mode point d'accès (Infrastructure) : attribuez aux ordinateurs le même SSID et la même clé WEP que ceux du point d'accès.</p> <p>Attribuez la même valeur d'authentification réseau que celle du point d'accès. Consultez votre administrateur de réseau si cette valeur est requise.</p>
	Signal faible et/ou mauvaise qualité de la liaison	<p>Connexion en mode Ad hoc : Essayez de rétablir la connexion après avoir rapproché l'ordinateur ou retiré les éventuels obstacles.</p> <p>Connexion en mode point d'accès (Infrastructure) : Essayez de rétablir la connexion après avoir rapproché le point d'accès ou retiré les éventuels obstacles.</p>
	Le dispositif sans fil a été désactivé ou est hors fonction	Assurez-vous que l'interrupteur de la carte réseau sans fil est sur ON. Go to Start > Control Panel , and double-click on Windows Mobility Center . Si le réseau sans fil est éteint, cliquez sur le bouton « Allumer le réseau sans fil ».

Problème	Cause possible	Solution possible
Réseau indisponible connexion (suite)	L'ordinateur à connecter est éteint	Vérifiez si l'ordinateur est allumé.
	Interférences RF provenant de points d'accès ou d'autres réseaux sans fil	L'utilisation de canaux RF identiques ou se chevauchant peut nuire au fonctionnement de la carte réseau sans fil. Changez le canal de votre point d'accès en tenant compte du canal du périphérique nuisible.
	Échec de l'authentification de la carte réseau sans fil	Vérifiez les paramètres d'authentification réseau, de chiffrement et de sécurité. Si les paramètres de sécurité sont mal configurés, en raison, par exemple, d'une clé WEP comportant une faute de frappe, d'un nom d'utilisateur LEAP incorrect ou d'un mauvais choix de méthode d'authentification, la carte réseau sans fil s'associera au réseau sans fil mais ne s'y authentifiera pas.
	Paramètres réseau mal configurés	Vérifiez la configuration des paramètres réseau.
	Configuration incorrecte de l'adresse IP	Ceci s'applique uniquement aux réseaux qui utilisent des adresses IP statiques. Pour obtenir les paramètres appropriés, consultez votre administrateur de réseau.

Spécifications de la carte réseau sans fil

Spécifications

Élément	Spécification
Type de réseau	Les cartes réseau sans fil Centrino Advanced-N 6200 (802.11agn 2x2) et Atheros XSPAN 801.11bgn respectent les normes IEEE 802.11a, 802.11b/g et 802.11n sur les applications Wi-Fi*.
Débit	(Commutation automatique) débit maximum de 54 Mbit/s (IEEE 802.11n à déterminer)
Fréquence active	<ul style="list-style-type: none">• 802.11n : 2,4 GHz ou 5 GHz• 802.11b/g : 2 400 ~ 2 473 MHz• 802.11a : 4 900 ~ 5 850 MHz
Portée nominale**	<ul style="list-style-type: none">• 802.11a : 12 mètres (40 pi) à 54 Mbit/s ; 91 mètres (300 pi) à 6 Mbit/s• 802.11b : 30 mètres (100 pi) à 11 Mbit/s ; 91 mètres (300 pi) à 1 Mbit/s• 802,11g : 30 mètres (100 pi) à 54 Mbit/s ; 91 mètres (300 pi) à 1 Mbit/s• 802.11n : selon les estimations, les portées des modes 802.11g et 802.11a, dans leurs fréquences respectives, sont multipliées par deux.
Nombre de canaux	<ul style="list-style-type: none">• 802.11a : 8, indépendants• 802.11b/g : 11, dont 3 sans chevauchement• 802.11n : 2,4 GHz - 3 sans chevauchement si la liaison entre réseaux n'est pas utilisée, 2 sans chevauchement si la liaison entre réseaux est utilisée. 5 GHz - 12 UNII sans chevauchement avec ou sans utilisation de la liaison entre canaux.
Sécurité	Types de chiffrement – compatible avec WEP, TKIP, AES*** et WPA 1.0 Longueurs de clé de chiffrement prises en charge : 802.1x/EAP 64 bits et 128 bits

Nombre maximum recommandé d'ordinateurs connectés au réseau local sans fil (en mode Ad hoc)	10 ou moins****
---	-----------------

- * « Type Wi-Fi » indique que le test d'interconnectivité de la Wi-Fi Alliance (organisation garantissant l'interconnectivité des réseaux sans fil) a réussi.
- ** La portée peut varier selon certains facteurs (par exemple, nombre de murs, réflectivité des matériaux ou interférences provenant d'autres sources de radiofréquences).
- *** Le chiffrement par clé de réseau (WEP) est effectué avec le nombre de bits indiqué ci-dessus, mais l'utilisateur peut définir une clé de 40 ou 104 bits après avoir soustrait la longueur fixe de 24 bits.
- **** Selon l'environnement, le nombre maximum d'ordinateurs peut être inférieur.

Utilisation de Bluetooth

Le module Bluetooth intégré (EYTF3CSFT) est un composant offert en option pour les ordinateurs portables Fujitsu.

Présentation de Bluetooth

La technologie Bluetooth est conçue pour assurer la liaison sans fil à faible portée entre divers appareils mobiles, tels que téléphones, ordinateurs portables, imprimantes et caméras. La technologie Bluetooth permet d'établir des réseaux personnels (PAN) entre des appareils situés à courte distance les uns des autres.



LE COMMUTATEUR DE L'INTERFACE RÉSEAU SANS FIL / BLUETOOTH PERMET D'ÉTEINDRE SIMULTANÉMENT LES INTERFACES RÉSEAU SANS FIL ET BLUETOOTH. POUR ACTIVER OU DÉSACTIVER SÉPARÉMENT L'UN OU L'AUTRE, PROCÉDEZ COMME SUIV :

- 1** Faites glisser le commutateur de carte réseau sans fil/Bluetooth à la position de marche (ON).
- 2** Allez à **Démarrer > Tous les Programmes > Paramètres Bluetooth**.
- 3** Dans le menu Bluetooth, cliquez sur **Options** puis sur le bouton **Bluetooth Radio Power** (Alimentation Radio Bluetooth). 4 Cliquez sur [OK].

Sources d'informations supplémentaires sur Bluetooth

Le module Bluetooth contient un guide de l'utilisateur complet qui vous aidera à maîtriser son fonctionnement.

Dans Windows XP : Pour accéder au fichier d'aide, cliquez sur Démarrer -> Tous les programmes, puis sur Fujitsu. Sélectionner Bluetooth, puis Guide d'utilisation.

Dans Windows Vista : Pour accéder au fichier d'aide, cliquez sur Démarrer -> Tous les programmes, Bluetooth, puis sur Guide d'utilisation.

Pour en savoir davantage sur la technologie Bluetooth, visitez le site Web : www.bluetooth.com.

Énoncé de la FCC relatif à l'exposition aux rayonnements

Cet équipement respecte les normes de la FCC relatives à l'exposition aux rayonnements, définies pour un environnement non contrôlé. L'antenne Bluetooth est située sur la charnière droite de l'écran à ACL et est exempte des critères de distance minimale à cause de sa faible puissance.

Les émetteurs de ce périphérique ne doivent pas être utilisés avec ou à proximité immédiate d'une antenne ou d'un autre émetteur.

Avis pour le Canada

Pour éviter que ce service fourni sous licence soit perturbé par des interférences radio, ce matériel doit être utilisé à l'intérieur et à distance des fenêtres. Si l'équipement (ou l'antenne de transmission) est installé à l'extérieur, une licence peut être nécessaire.

Garantie

Les utilisateurs ne sont pas autorisés à modifier ce produit. Toute modification annule la garantie.

Cet équipement ne peut être modifié, altéré ou changé en aucune façon sans l'autorisation écrite de Fujitsu. Toute modification non autorisée annulera les autorisations d'équipement de la FCC et d'Industrie Canada, de même que la garantie.

Utilisation d'un périphérique UWB

Le module certifié Wireless USB intégré est un composant offert en option pour les ordinateurs portables Fujitsu.

Que signifie l'expression « Certifié Wireless USB » ?

Le protocole Wireless USB (ci-après « WUSB ») sert à établir des communications hautes fréquences, à courte distance, avec un débit de 480 Mbit/s jusqu'à 3 mètres (environ 10 pieds) et de 110 Mbit/s jusqu'à 10 mètres (environ 33 pieds). Il est conçu pour fonctionner dans les bandes 3,1 GHz à 10,6 GHz aux États-Unis.

Le WUSB ne relève pas de la technologie des réseaux, il utilise en fait le même modèle « hub and spoke » (concentrateur et rayons) que le protocole USB traditionnel. Dans ce type d'architecture, un hôte unique, communément appelé « concentrateur », prend en charge jusqu'à 127 périphériques finaux (« spokes », ou « rayons »).

Utilisation d'un périphérique certifié Wireless USB

En général, le concentrateur WUSB doit d'abord être raccordé à l'ordinateur à associer avant qu'il ne soit reconnu par le module WUSB. Consultez le manuel du concentrateur WUSB pour connaître les instructions d'installation détaillées.

Le commutateur marche/arrêt pour dispositif sans fil allume ou éteint tous ces dispositifs en même temps. Pour activer ou désactiver séparément l'un ou l'autre, procédez comme suit :

- 1** Faites glisser le commutateur dans la position marche (consultez le guide d'utilisation si vous ne savez pas où se trouve le commutateur).
- 2** Dans le Panneau de configuration, cliquez sur le bouton associé au dispositif WUSB sélectionné pour activer ou désactiver ce périphérique.
- 3** Cliquez sur [OK].

Annexe B : Capteur d'empreintes digitales

Présentation du capteur d'empreintes digitales optionnel

Il est possible que votre LifeBook soit équipé d'un capteur d'empreintes digitales sous le pavé tactile TouchPad, entre les boutons gauche et droit. Ce capteur sert aussi de bouton de défilement.

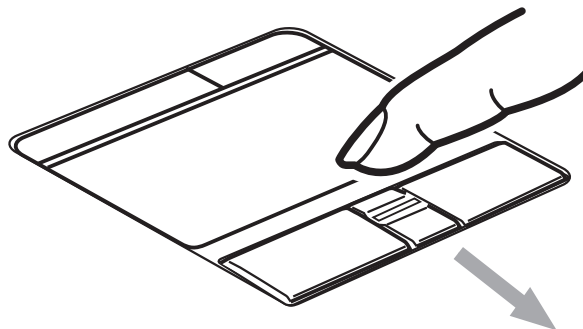


Figure 34. Capteur d'empreintes digitales



MÊME SI VOTRE SYSTÈME EST DOTÉ D'UN CAPTEUR D'EMPREINTES DIGITALES À L'EMPLACEMENT DU BOUTON DE DÉFILEMENT, LE CAPTEUR PEUT ÊTRE UTILISÉ POUR FAIRE DÉFILER L'ÉCRAN. IL VOUS SUFFIT DE DÉPLACER LE BOUT DE VOTRE DOIGT SUR LE CAPTEUR, DE LA MÊME MANIÈRE QU'AVEC UN BOUTON DE DÉFILEMENT.

Grâce au capteur d'empreintes digitales, il n'est plus nécessaire de saisir votre nom d'utilisateur et votre mot de passe chaque fois que vous voulez :

- Ouvrir une session dans Windows
- Reprise à partir du mode sommeil
- Annuler un économiseur d'écran protégé par mot de passe
- Ouvrir une session dans des pages d'accueil nécessitant un nom d'utilisateur et un mot de passe

Après avoir « inscrit » – ou enregistré – votre empreinte digitale, il vous suffit de glisser le bout de votre doigt sur le capteur pour que le système vous reconnaisse.

Le capteur d'empreintes digitales utilise le logiciel Softex OmniPass qui fournit des fonctions de gestion de mot de passe aux systèmes d'exploitation Microsoft Windows. OmniPass vous permet d'utiliser un « mot de passe principal » pour tous les écrans en ligne, toutes les applications Windows et d'autres applications demandant un mot de passe.

OmniPass demande aux utilisateurs de s'authentifier à l'aide du capteur d'empreintes digitales avant de leur donner accès au bureau Windows. Ce périphérique comporte un système d'authentification sécurisé qui limite l'accès à votre ordinateur, à vos applications, à vos sites Web et aux autres ressources protégées par mot de passe.

OmniPass présente une interface graphique conviviale, qui permet de gérer de façon sécuritaire les mots de passe, les comptes utilisateur et les identités multiples pour chaque utilisateur.

Première mise en marche

Cette section vous montre comment préparer votre système à l'installation de l'application de reconnaissance d'empreintes digitales OmniPass. Vous y trouverez des conseils qui vous guideront au long de la procédure d'installation. Elle indique également de façon détaillée comment enregistrer votre premier utilisateur dans OmniPass.

Installation d'OmniPass

Si l'application OmniPass a déjà été installée sur votre système, sautez cette section et allez directement à « Enregistrement des utilisateurs » en page 196. Pour savoir si l'application OmniPass est déjà installée, vérifiez si les éléments suivants sont présents :

- Une icône OmniPass, dorée et en forme de clé, figure dans la zone de notification, dans le coin inférieur droit de l'écran.
- L'application Softex apparaît dans le groupe de **Programmes** du menu **Démarrer**.

Configuration de système nécessaire

L'application OmniPass nécessite de l'espace sur votre disque dur ainsi qu'un système d'exploitation spécifique (SE). Les exigences minimales sont les suivantes :

- Système d'exploitation Windows XP Professionnel
- Au moins 35 Mo d'espace disque disponible

Installation de l'application OmniPass

Si l'application OmniPass est déjà installée sur votre système, allez directement à « Enregistrement des utilisateurs » en page 196. Autrement, continuez à suivre les instructions de cette section concernant l'installation du logiciel.



L'UTILISATEUR DÉSIANT INSTALLER OMNIPASS DOIT DISPOSER DE DROITS D'ADMINISTRATEUR DANS LE SYSTÈME. SI VOUS N'AVEZ PAS DE TELS DROITS, FERMEZ LA SESSION ET OUVREZ-EN UNE AUTRE AVEC UN NOM D'UTILISATEUR POSSÉDANT CES DROITS AVANT DE POURSUIVRE L'INSTALLATION D'OMNIPASS.

Pour installer OmniPass dans votre système, vous devez exécuter les opérations suivantes :

- 1** Insérez le disque d'installation de l'application OmniPass dans le lecteur approprié. Si vous installez OmniPass à partir d'un CD-ROM ou d'un DVD-ROM, vous devez trouver et lancer le programme d'installation (setup.exe) se trouvant sur le disque.
- 2** Suivez les instructions figurant dans le programme d'installation. Indiquez l'endroit où vous souhaitez installer OmniPass. Il est recommandé de NE PAS installer l'application dans le répertoire racine (par exemple : C:\).

- 3 Une fois l'installation d'OmniPass terminée, vous serez invité à redémarrer votre système. Vous pourrez ensuite utiliser OmniPass. Si vous décidez de ne pas redémarrer votre système immédiatement après l'installation, OmniPass ne sera pas disponible avant le prochain redémarrage.
- 4 Le programme d'installation place automatiquement une icône (Softex OmniPass) dans le panneau de configuration Windows, ainsi qu'une icône dorée en forme de clé dans la zone de notification.

Vérification des informations concernant votre version d'OmniPass

Après avoir installé OmniPass et redémarré votre système, vous pouvez décider de vérifier la version du logiciel.

Pour vérifier votre version d'OmniPass :

- 1 Double-cliquez sur l'icône en forme de clé OmniPass de votre barre de tâches Windows (généralement en bas à droite de l'écran),
ou
Cliquez sur le bouton **Démarrer**, puis sélectionnez **Paramètres** et **Panneau de configuration**. Double-cliquez sur **Softex OmniPass** dans le panneau de configuration et vous verrez apparaître le Centre de contrôle OmniPass. S'il ne s'affiche pas, cela signifie que le programme n'est pas installé correctement,
ou
Cliquez sur le bouton **[Démarrer]**, sélectionnez **Tous les programmes**, puis **Softex** et enfin, dans ce sous-menu, cliquez sur **Centre de contrôle OmniPass**.
- 2 Sélectionnez l'onglet **À propos de** en haut du Centre de contrôle OmniPass. Une fenêtre indiquant la version du logiciel OmniPass apparaît.

Désinstallation d'OmniPass



L'UTILISATEUR DÉSIRANT DÉSINSTALLER OMNIPASS DOIT DISPOSER DE DROITS D'ADMINISTRATEUR DANS LE SYSTÈME. SI VOUS N'AVEZ PAS DE TELS DROITS, FERMEZ LA SESSION ET OUVEZ-EN UNE AUTRE AVEC UN NOM D'UTILISATEUR POSSÉDANT CES DROITS AVANT DE POURSUIVRE LA DÉSINSTALLATION D'OMNIPASS.

Pour supprimer l'application OmniPass de votre système :

- 1 Cliquez sur **[Démarrer]** dans la barre des tâches. Sélectionnez **Paramètres**, puis **Panneau de configuration**.
- 2 Double-cliquez sur **Ajouter ou supprimer des Programmes**.
- 3 Sélectionnez **OmniPass** et cliquez ensuite sur **[Modifier/Supprimer]**.
- 4 Suivez les instructions de désinstallation de l'application OmniPass.
- 5 Après la désinstallation d'OmniPass, redémarrez votre système lorsque vous y êtes invité.

Enregistrement des utilisateurs

Avant de pouvoir utiliser les fonctions d'OmniPass, vous devez d'abord enregistrer un utilisateur dans l'application.

Concept du mot de passe principal

Les ressources d'un ordinateur sont souvent protégées par des mots de passe. Lorsque vous vous connectez à votre ordinateur, que vous consultez vos courriels, que vous effectuez des opérations bancaires sur Internet, que vous payez des factures en ligne ou que vous accédez aux ressources d'un réseau, il vous est souvent demandé de vous identifier. Il se peut alors que vous ayez besoin de dizaines de mots de passe dont vous devez vous rappeler.

Lors de l'enregistrement d'un utilisateur, un « mot de passe principal » est créé à son intention. Ce mot de passe « remplace » tous les autres mots de passe des sites sur lesquels l'utilisateur s'enregistre avec OmniPass.

Exemple : Un utilisateur, Jean, installe OmniPass sur son système (son ordinateur de maison) et inscrit un utilisateur OmniPass avec le nom d'utilisateur « Jean_01 » et mot de passe « freq14 ». Il se rend ensuite sur son site Internet de courriel pour ouvrir une session dans son compte. Il entre, comme d'habitude, son nom d'utilisateur et son mot de passe (par exemple, « Jean_02 » et « lifebook »), mais au lieu de cliquer sur [Ouvrir session], il demande à OmniPass de **Mémoriser le mot de passe**. Dorénavant, chaque fois qu'il retournera sur ce site, OmniPass l'invitera à fournir ses informations d'identification.

Jean saisira alors les informations OmniPass (« Jean_01 » et « freq14 ») dans l'invite d'authentification d'OmniPass et pourra accéder à son compte de courriel. Il peut répéter cette opération avec autant de sites Web ou de ressources protégées par mot de passe qu'il le souhaite et pourra accéder à tous ces sites à l'aide des informations d'identification de l'utilisateur (« Jean_01 » et « freq14 »). Pour ce faire, il devra utiliser le système sur lequel il s'est enregistré à titre d'utilisateur OmniPass. En fait, OmniPass ne change pas les informations d'identification de la ressource protégée par mot de passe. Si Jean veut accéder à son courriel depuis un ordinateur sur lequel le compte Omnipass n'existe pas, il devra saisir ses informations d'identification originales (« Jean_02 » et « lifebook »). Dans ce cas, s'il tente d'utiliser ses informations d'identification OmniPass, l'accès au site lui sera refusé.



CETTE PROCÉDURE D'ENREGISTREMENT REPOSE SUR L'HYPOTHÈSE QUE VOUS NE VOULEZ INTÉGRER À OMNI PASS AUCUN PÉRIPHÉRIQUE D'AUTHEMNTICATION OU AUTRE EMPLACEMENT DE STOCKAGE. SI VOUS SOUHAITEZ DISPOSER DE CETTE FONCTIONNALITÉ, CONSULTEZ LES SECTIONS CORRESPONDANTES DU PRÉSENT DOCUMENT.

Enregistrement de base

L'Assistant d'enregistrement vous guidera à travers les étapes d'enregistrement d'un utilisateur. Sauf indication contraire de votre part, l'Assistant d'enregistrement sera lancé après l'installation d'OmniPass au moment de l'ouverture d'une session Windows. Si l'assistant n'apparaît pas, vous pouvez le lancer en cliquant sur **[Démarrer]** dans la barre de tâches Windows. Sélectionnez ensuite **Programmes**, puis **Softex** et cliquez sur **Assistant d'enregistrement OmniPass**.

- 1 Cliquez sur **[Enregistrement]** pour procéder à la vérification de l'utilisateur et du mot de passe. Par défaut, l'Assistant d'enregistrement entre les informations d'identification de l'utilisateur Windows actuellement connecté.
- 2 Entrez le mot de passe qui vous sert à ouvrir une session dans Windows. Il deviendra le « mot de passe principal » de cet utilisateur OmniPass. Dans la plupart des cas, la valeur de **Domaine** : correspondra au nom de votre ordinateur Windows. Dans un environnement d'entreprise, ou lorsque vous accédez à des ressources professionnelles, il se peut que **Domaine** : ne corresponde pas au nom de votre ordinateur. Cliquez sur [Suivant] pour continuer.
- 3 Au cours de cette étape, OmniPass prend votre empreinte digitale. Pour de plus amples informations, reportez-vous à « Enregistrement d'une empreinte digitale » en page 198.
- 4 Ensuite, choisissez comment OmniPass doit vous avertir de différents événements. Nous vous recommandons de laisser **Astuces de la barre de tâches** sur **Astuces de la barre des tâches en mode débutant** et **Invites audio** sur au moins **Invite avec signaux sonores uniquement**, jusqu'à ce que le fonctionnement d'OmniPass vous soit familier. Cliquez sur [Suivant] pour procéder à l'enregistrement de l'utilisateur. Un écran de félicitations, indiquant que l'enregistrement de l'utilisateur est terminé, apparaîtra.
- 5 Cliquez sur [Terminé] pour quitter l'assistant d'enregistrement. Il vous sera demandé si vous voulez vous connecter à OmniPass avec les informations d'utilisateur nouvellement enregistrées. Cliquez sur [Oui].

Enregistrement d'une empreinte digitale

L'enregistrement d'une empreinte digitale augmentera la sécurité de votre système et simplifiera la procédure d'authentification.

L'enregistrement des empreintes digitales se fait à partir du Centre de contrôle OmniPass. Après vous être connecté à titre d'utilisateur OmniPass, cliquez deux fois sur l'icône OmniPass dans la zone de notification. Sélectionnez l'onglet **Paramètres utilisateur**, puis cliquez sur **[Enregistrement]** dans la zone **Paramètres utilisateur**. Cliquez sur **[Enregistrer le périphérique d'authentification]** et authentifiez-vous à l'invite d'authentification d'OmniPass. Le système ouvre la procédure d'enregistrement du périphérique.

- 1 Pendant la procédure d'enregistrement initial de l'utilisateur, vous serez invité à sélectionner le doigt qui sera enregistré. Les doigts déjà enregistrés seront marqués d'un crochet vert. Le doigt sélectionné pour l'enregistrement sera marqué d'une flèche rouge. OmniPass vous permet de réenregistrer un doigt. Si vous choisissez un doigt qui a déjà été enregistré et que vous poursuivez la procédure d'enregistrement, OmniPass enregistre l'empreinte digitale actuelle à la place de l'ancienne empreinte. Sélectionnez un doigt à enregistrer et cliquez sur [Suivant].
- 2 Il est temps pour OmniPass de prendre l'empreinte que vous avez choisie. Plusieurs tentatives peuvent être nécessaires avant qu'OmniPass prenne votre empreinte digitale. Si OmniPass n'y parvient pas ou si l'écran de capture de l'empreinte digitale expire, cliquez sur [Précédent] pour redémarrer le processus d'enregistrement d'empreinte digitale.

Votre système est équipé d'un capteur d'empreintes digitales « à glissement ». Les capteurs à glissement sont de taille réduite et ressemblent à un mince rectangle allongé. Pour prendre une empreinte digitale, faites glisser ou tirez doucement **vers vous** le bout de votre doigt sur le capteur (à partir de la deuxième articulation). Un glissement trop rapide ou trop lent pourrait faire échouer la prise d'empreintes. L'écran **Choisir un doigt** dispose d'un bouton [Pratique] ; cliquez dessus pour pratiquer la prise de votre empreinte digitale. Lorsque vous maîtrisez la prise d'empreintes digitales, vous pouvez procéder à l'enregistrement d'un doigt.

- 3 Lorsque OmniPass a correctement pris l'empreinte digitale, l'écran **Vérifier l'empreinte digitale** s'affiche automatiquement. Pour vérifier l'enregistrement de votre empreinte, placez le bout de votre doigt sur le capteur comme lors d'une prise d'empreinte digitale. Si l'empreinte a été vérifiée avec succès, une empreinte digitale verte apparaît dans la fenêtre de prise et le texte **Vérification réussie** s'affiche en dessous.

Utilisation d'OmniPass

Vous pouvez maintenant commencer à utiliser OmniPass. Son utilisation régulière vous permettra de simplifier vos procédures d'authentification.

Remplacement du mot de passe

Vous utiliserez souvent la fonction de remplacement du mot de passe. Lorsque vous allez sur un site Internet à accès restreint (par exemple, de votre banque, de votre courrier électronique, de paiement ou d'enchères en ligne), vous serez toujours invité à entrer vos références de connexion. OmniPass peut détecter ces invites et vous pouvez lui « enseigner » à enregistrer vos références. La prochaine fois que vous visiterez un de ces sites, vous pourrez vous authentifier à l'aide de votre empreinte digitale pour y accéder.

Barre d'outils d'authentification OmniPass

Après avoir installé OmniPass et redémarré votre ordinateur, vous remarquerez la présence d'une nouvelle boîte de dialogue au début de votre session Windows. Il s'agit de la barre d'outils d'authentification OmniPass. Celle-ci s'affiche chaque fois que le système d'authentification est appelé. Ce système peut être appelé fréquemment : pendant l'ouverture d'une session Windows, lors de la connexion à OmniPass, lorsque vous déverrouillez votre poste de travail, lorsque vous reprenez le système depuis le mode sommeil ou veille prolongée, lorsque vous déverrouillez un économiseur d'écran activé par mot de passe, lors du remplacement du mot de passe d'un site mémorisé ou des noms de connexion d'applications, etc. Lorsque cette barre d'outils s'affiche, OmniPass vous invite à vous authentifier.

La fenêtre **Authentification de la connexion** indique la fonction restreinte par OmniPass à laquelle vous tentez de vous connecter. Les icônes en bas à gauche (empreinte digitale et clé) indiquent les méthodes d'authentification disponibles. Les méthodes sélectionnées sont en surbrillance, contrairement aux méthodes non sélectionnées. Lorsque vous cliquez sur l'icône pour obtenir une méthode d'authentification non sélectionnée, l'invite d'authentification associée à cette méthode s'affiche.

À l'invite d'authentification, vous devez fournir les informations d'identification appropriées : un doigt enregistré dans la fenêtre d'empreintes digitales ou votre mot de passe principal dans la case de mot de passe principal (l'icône en forme de clé).

Mémorisation d'un mot de passe

OmniPass peut mémoriser toute application, toute interface graphique ou toute autre ressource protégée par un mot de passe.

À l'aide de la procédure suivante, vous pourrez sauvegarder dans OmniPass toutes les informations permettant de vous identifier. Ces informations seront ensuite associées à votre « mot de passe principal » ou à votre empreinte digitale.

Allez sur un site comportant une procédure de connexion (nom d'utilisateur et mot de passe), mais *ne vous connectez pas tout de suite*. À l'invite de connexion au site, entrez votre nom d'utilisateur et votre mot de passe dans les champs appropriés, mais *n'entrez pas sur le site* (n'appuyez pas sur [Entrer], [Soumettre], [OK], ou Connexion). Cliquez avec le bouton droit de la souris sur l'icône OmniPass de la zone de notification et sélectionnez **[Mémoriser le mot de passe]** dans le sous-menu. Le curseur fléché Windows devient un curseur OmniPass en forme de clé dorée. Cliquez sur ce curseur dans la zone d'invite de connexion, mais ne cliquez pas sur le bouton [Connexion] ou [Envoyer].

Association d'un nom convivial

Après avoir cliqué sur le curseur en forme de clé près de l'invite de connexion, OmniPass vous invitera à entrer un « nom convivial » pour ce site. Vous devez entrer un terme qui vous rappelle le site Internet, la société ou le service auquel vous vous connectez. Dans sa base de données sécurisée, OmniPass associe ce nom convivial au site Internet.

Paramètres supplémentaires pour mémoriser un site

Lorsque vous êtes invité à entrer un « nom convivial », vous pouvez définir la manière dont OmniPass vous authentifie sur ce site. Trois choix sont à votre disposition pour chaque site mémorisé par OmniPass.

Le paramètre par défaut est **Cliquer automatiquement sur le bouton [OK] ou [Envoyer] pour ce site protégé par un mot de passe dès que l'utilisateur est authentifié**. Avec ce paramètre, chaque fois que vous accédez à ce site, OmniPass vous demandera votre mot de passe principal ou votre périphérique d'authentification d'empreintes digitales. Une fois que vous êtes authentifié par OmniPass, vous serez automatiquement connecté au site.

La deuxième option est moins sécuritaire : **Entrer automatiquement sur ce site protégé par mot de passe lorsqu'il est activé. Ne pas demander d'authentification.** Cochez la case supérieure pour sélectionner ce choix. Ensuite, chaque fois que vous vous connectez à ce site, OmniPass vous donnera accès sans vous demander de vous authentifier.



CE PARAMÈTRE EST PLUS PRATIQUE CAR DÈS QUE VOUS DEMANDEZ UN SITE QUI Y EST ASSOCIÉ, VOUS SAUTEZ LA PROCÉDURE D'AUTHENTIFICATION ET VOUS ACCÉDEZ INSTANTANÉMENT AU SITE. CEPENDANT, SI VOUS LAISSEZ VOTRE ORDINATEUR SANS SURVEILLANCE AVEC VOTRE CONNEXION OMNIPASS ACTIVÉE, TOUTE PERSONNE UTILISANT VOTRE SYSTÈME PEUT ENTRER SUR LES SITES PROTÉGÉS EN USURPANT VOTRE IDENTITÉ.

Si vous désélectionnez les deux cases dans **Paramètres pour ce site protégé par mot de passe**, OmniPass vous demande votre mot de passe principal ou votre périphérique d'authentification. Une fois que vous avez été authentifié par OmniPass, vos informations d'identification s'affichent à l'invite de connexion du site. Toutefois, vous devez cliquer sur le bouton [OK], [Soumettre] ou [Connexion] pour accéder au site.

Cliquez sur **[Terminer]** pour achever la procédure de mémorisation du mot de passe. L'emplacement du site, les informations d'identification pour y accéder et les paramètres d'authentification OmniPass correspondant à ce site sont désormais sauvegardés dans la base de données sécurisée d'OmniPass. Les paramètres d'authentification d'OmniPass (**Paramètres pour ce site protégé par mot de passe**) peuvent toujours être modifiés dans **Gestion du coffre-fort**.

Connexion à un site mémorisé

Selon les informations contenues dans **Paramètres pour ce site protégé par mot de passe**, OmniPass vous invitera ou non à vous authentifier lorsque vous retournerez à un site mémorisé. Ces informations peuvent être modifiées dans **Gestion du coffre-fort**.

Les cas suivants s'appliquent à l'utilisation d'OmniPass pour se connecter à : Windows, aux sites mémorisés et à toutes les autres ressources protégées par mot de passe.

Avec mot de passe principal

Lorsque vous retournez à un site mémorisé avec OmniPass, il se peut que le système vous demande un mot de passe principal. Entrez votre mot de passe principal et vous serez autorisé à accéder au site.

Connexion à Windows avec un capteur d'empreintes digitales

Lorsque vous vous connectez à Windows à l'aide d'un capteur d'empreintes, la fenêtre de prise d'empreintes digitales apparaît à côté de l'écran de connexion Windows. Placez votre doigt enregistré sur le capteur pour que le système vous identifie. Vous serez simultanément connecté à Windows et OmniPass. La fenêtre de prise d'empreinte s'affiche également si vous avez utilisé **[Ctrl-Alt-Suppr]** pour verrouiller le système. En outre, le capteur d'empreintes peut être utilisé pour vous reconnecter, comme indiqué ci-dessus.



SI UN ORDINATEUR EST VERROUILLÉ ET QU'OMNIPASS DÉTECTE UN UTILISATEUR DIFFÉRENT SE RECONNECTANT AVEC SON EMPREINTE DIGITALE, LE PREMIER UTILISATEUR SERA DÉCONNECTÉ ET LE SECOND CONNECTÉ.

Gestion des mots de passe

OmniPass propose une interface qui vous permet de gérer vos mots de passe. Pour accéder à cette interface graphique, cliquez deux fois sur la clé OmniPass dans la zone de notification. Cliquez sur **Gestion du coffre-fort** ; vous serez invité à vous authentifier. Lorsque vous avez accédé à **Gestion du coffre-fort**, cliquez sur **Gérer les mots de passe** sous **Paramètres du coffre-fort**. L'interface **Gérer les mots de passe** apparaît avec une liste de noms conviviaux.

Si vous désirez afficher les informations d'identification sauvegardées pour un site Internet mémorisé, mettez en surbrillance la ressource souhaitée sous **Boîte de dialogue « Protection par mot de passe »** et cliquez sur **[Afficher les valeurs]**. En cas de réinitialisation d'un mot de passe ou d'expiration d'un compte, vous pouvez supprimer les informations d'identification sauvegardées dans OmniPass. Mettez en surbrillance la ressource souhaitée sous **Boîte de dialogue « Protection par mot de passe »**, puis cliquez sur **[Supprimer la page]**. Vous serez invité à confirmer la suppression du mot de passe.

Les deux cases à cocher dans **Gérer les mots de passe** déterminent si OmniPass vous invite à vous authentifier ou vous connecte directement au site mémorisé.

Si vous tentez d'utiliser **Mémoriser le mot de passe** sur un site déjà connu, OmniPass efface les anciennes informations d'identification.

Le remplacement de votre mot de passe Windows constitue l'exception à la règle ci-dessus. Si votre mot de passe est réinitialisé dans Windows, le changement sera détecté par OmniPass qui vous invitera à « Mettre à jour » ou à « Reconfirmer » le mot de passe. Entrez votre nouveau mot de passe Windows dans l'invite, puis cliquez sur **[OK]**. Votre « mot de passe principal » Omnipass sera toujours votre mot de passe Windows.

Identités d'utilisateur OmniPass

Les identités permettent aux utilisateurs OmniPass de posséder plusieurs comptes sur un même site (par exemple, *claud@biblomail.com* et *claudpicard@biblomail.com*). Si OmniPass ne vous a pas fourni d'identités, vous ne pourrez mémoriser qu'un seul compte par site.

Pour créer et gérer des identités, cliquez deux fois sur la clé OmniPass dans la zone de notification. Cliquez sur **Gestion du coffre-fort**. OmniPass vous invite à vous authentifier. Lorsque vous avez accédé à **Gestion du coffre-fort**, cliquez sur **Gérer les identités** sous **Paramètres du coffre-fort**. Vous pouvez seulement gérer les identités de l'utilisateur OmniPass actuellement connecté.

Pour ajouter une nouvelle identité, cliquez sur **Nouvelle identité** ou double-cliquez sur **Cliquer ici pour ajouter une nouvelle identité**. Nommez la nouvelle identité et cliquez sur **[OK]**, puis sur **[Appliquer]**. Vous pouvez désormais basculer vers la nouvelle identité et démarrer la mémorisation des mots de passe.

Pour supprimer une identité, mettez en surbrillance l'identité à supprimer et cliquez sur **[Supprimer l'identité]**, puis cliquez sur **[Appliquer]**.



LORSQUE VOUS SUPPRIMEZ UNE IDENTITÉ, TOUS LES SITES MÉMORISÉS ET LES BOÎTES DE DIALOGUE « PROTECTION PAR MOT DE PASSE » ASSOCIÉS À L'IDENTITÉ SONT PERDUS.

Pour définir l'identité par défaut, mettez en surbrillance l'identité souhaitée puis cliquez sur [Définir par défaut] et cliquez sur [Appliquer] pour vérifier que les paramètres sont bien enregistrés. Si vous accédez à OmniPass à l'aide d'un capteur d'empreintes digitales, vous serez automatiquement connecté à l'identité par défaut de l'utilisateur OmniPass associé à l'empreinte. Si vous utilisez la procédure de connexion à l'aide du « mot de passe principal », vous pouvez choisir l'identité avec laquelle vous vous connectez.

Choix de l'identité de l'utilisateur lors de la connexion

Pour choisir votre identité lors de la connexion, tapez votre nom d'utilisateur dans le champ **Nom d'utilisateur** : Appuyez sur [Tab] et assurez-vous que le champ **Domaine** : se remplit automatiquement. Cliquez sur le champ **Mot de passe** : pour pointer le curseur dessus et vous verrez le menu déroulant dans le champ **Identité** : Sélectionnez l'identité souhaitée puis cliquez sur [OK].

Changement d'identité de l'utilisateur

Pour changer les identités à tout moment, cliquez avec le bouton droit de la souris sur l'icône OmniPass dans la zone de notification, puis cliquez sur [**Changer l'identité de l'utilisateur**] dans le sous-menu. La boîte de dialogue **Changer d'identité** apparaît. Sélectionnez l'identité souhaitée puis cliquez sur [OK].

Gestion des mots de passe et des identités

Sur l'interface **Gérer les mots de passe** de l'onglet **Gestion du coffre-fort** du Centre de contrôle OmniPass, il existe une liste de sélection déroulante nommée **Identité**. Ce champ vous permet de choisir l'identité pour laquelle vous désirez gérer les mots de passe. Lorsque vous sélectionnez une identité dans cette liste, le système affiche seulement les boîtes de dialogue « Protection par mot de passe » associées à cette identité. Vous pouvez effectuer toutes les fonctions expliquées dans « Gestion des mots de passe » en page 203.

Configuration d'OmniPass

Cette section vous donne un aperçu de la fonction Exportation/Importation et du Centre de contrôle OmniPass.

Exportation et importation d'utilisateurs



VOUS NE POUVEZ PAS IMPORTER UN UTILISATEUR DANS OMNIPASS SI UN UTILISATEUR PORTANT LE MÊME NOM Y EST DÉJÀ ENREGISTRÉ.

Vous pouvez importer et exporter des utilisateurs dans et hors d'OmniPass à l'aide du Centre de contrôle. Le processus d'exportation permet de sauvegarder tous les sites mémorisés, les informations d'identification et les empreintes enregistrées d'un utilisateur OmniPass. Toutes les données OmniPass d'un utilisateur sont sauvegardées dans un fichier de base de données crypté unique. Durant le processus d'importation, vous devez utiliser les informations de connexion Windows de l'utilisateur exporté. Si les informations d'identification appropriées ne sont pas fournies, le profil utilisateur ne sera pas importé.



- VOUS DEVEZ EXPORTER PÉRIODIQUEMENT VOTRE PROFIL UTILISATEUR ET LE SAUVEGARDER DANS UN ENDROIT SÛR. S'IL DEVAIT ARRIVER QUELQUE CHOSE À VOTRE SYSTÈME, VOUS POUVEZ IMPORTER VOTRE PROFIL OMNIPASS SUR UN NOUVEAU SYSTÈME ET DISPOSER INSTANTANÉMENT DE TOUS VOS PARAMÈTRES ET EMPREINTES DIGITALES MÉMORISÉS.
- N'OUBLIEZ PAS VOS INFORMATIONS D'IDENTIFICATION WINDOWS UTILISÉES LORS DE L'EXPORTATION. LORSQUE VOUS PROCÉDEZ À L'IMPORTATION D'UN PROFIL UTILISATEUR, OMNIPASS VOUS INVITE À VOUS AUTHENTIFIER. LES INFORMATIONS D'IDENTIFICATION PERMETTANT D'IMPORTER UN PROFIL SONT LES RÉFÉRENCES DE CONNEXION WINDOWS DE L'UTILISATEUR EXPORTÉ. CES RÉFÉRENCES SONT CELLES QU'IL FALLAIT SOUMETTRE LORSQUE LE PROFIL D'UTILISATEUR A ÉTÉ EXPORTÉ. VOUS AUREZ BESOIN DU NOM D'UTILISATEUR, DU MOT DE PASSE ET DU DOMAINE.

Exporter un profil d'utilisateur OmniPass

Pour exporter un profil utilisateur, ouvrez le Centre de contrôle OmniPass et cliquez sur **[Importer/exporter un utilisateur]** sous **Gérer les utilisateurs**.

Cliquez sur **Exporter un profil utilisateur OmniPass**. OmniPass vous invitera à vous authentifier. Une fois l'authentification réussie, vous devez nommer le profil utilisateur OmniPass et décider où l'enregistrer. Un fichier .opi est généré et vous devez en sauvegarder une copie dans un endroit sûr.

Ce fichier .opi contient toutes vos données d'utilisateur OmniPass. Il est crypté et protégé par mot de passe. Ce profil utilisateur ne contient AUCUN de vos fichiers de données cryptés.

Importer un profil d'utilisateur OmniPass

Pour importer un profil utilisateur, ouvrez le Centre de contrôle OmniPass et cliquez sur [Importer/exporter un utilisateur] sous Gérer les utilisateurs. Cliquez sur [Importer un nouvel utilisateur dans OmniPass], sélectionnez « Fichier d'importation/exportation OmniPass » (*.opi) puis cliquez sur [Suivant]. OmniPass vous invite ensuite à rechercher le fichier exporté auparavant (fichier .opi). Lorsque vous sélectionnez le fichier .opi pour l'importer, OmniPass vous invite à vous authentifier. Les informations d'identification permettant d'importer un profil sont les références de connexion Windows de l'utilisateur exporté. Ces références sont celles qu'il fallait soumettre lorsque le profil d'utilisateur a été exporté. Vous aurez besoin du Nom d'utilisateur, du Mot de passe et du Domaine. Si vous avez oublié la valeur pour Domaine, celle-ci doit correspondre au nom de votre ordinateur dans un environnement PC ou SOHO.

OmniPass vous informe si le profil utilisateur a été correctement importé.

Informations importantes sur les opérations d'importation et d'exportation

- Supposons que vous exportez un profil d'utilisateur Windows local depuis OmniPass. Vous voulez importer ce profil sur un autre ordinateur doté d'OmniPass. Avant de pouvoir importer le profil, un utilisateur Windows avec les mêmes références de connexion doit être créé sur l'ordinateur important le profil.

Exemple : J'ai un utilisateur Windows avec le nom d'utilisateur « Thomas » et le mot de passe « Soleil » sur mon système. J'ai enregistré « Thomas » dans OmniPass et mémorisé des mots de passe. Je veux transférer tous mes mots de passe vers le nouveau système. J'exporte le profil utilisateur OmniPass de Thomas. J'accède à mon nouveau système et à l'aide du panneau de configuration, je crée un utilisateur avec le nom d'utilisateur « Thomas » et le mot de passe « Soleil ». Je peux maintenant importer les données utilisateur OmniPass dans le nouveau système.

- Si vous exportez un utilisateur propre à OmniPass, vous pouvez importer cet utilisateur dans tout ordinateur exécutant OmniPass, à condition qu'un utilisateur portant le même nom n'y soit pas déjà enregistré.
- Si vous tentez d'importer un profil utilisateur portant le même nom qu'un utilisateur déjà enregistré dans OmniPass, le processus d'importation échoue.

Centre de contrôle OmniPass

Cette section a pour but de présenter les fonctions du Centre de contrôle OmniPass qui n'ont pas été expliquées auparavant.

Vous pouvez accéder au Centre de contrôle OmniPass de trois façons :

- Double-cliquez sur l'icône OmniPass en forme de clé dorée dans la zone de notification Windows (généralement située dans le coin inférieur droit du bureau).
- Cliquez sur le bouton **[Démarrer]**, sélectionnez **Tous les programmes**, puis le groupe de programmes **Softex** et enfin cliquez sur la sélection **Centre de contrôle OmniPass**.
- Ouvrez le **Panneau de configuration** Windows (accessible à partir du bouton **[Démarrer]** > **Paramètres** > **Panneau de configuration**) et double-cliquez sur l'icône **Softex OmniPass**.

Gestion des utilisateurs

L'onglet « Gestion des utilisateurs » comporte deux interfaces principales : **Ajouter/supprimer un utilisateur** et **Importer/exporter un utilisateur**. La fonctionnalité Importer/exporter un utilisateur est expliquée dans « Exportation et importation d'utilisateurs » en page 206. La fonctionnalité Ajouter/supprimer un utilisateur est explicite.

Si vous cliquez sur [**Ajouter un nouvel utilisateur à OmniPass**], vous démarrez l'Assistant d'enregistrement OmniPass. L'Assistant d'enregistrement est expliqué dans « Enregistrement des utilisateurs » en page 196.

Si vous cliquez sur [**Supprimer un utilisateur OmniPass**], vous êtes invité à vous authentifier. Authentifiez-vous à l'aide des informations d'identification (ou de l'empreinte digitale enregistrée) de l'utilisateur à supprimer. OmniPass vous invite à confirmer la suppression de l'utilisateur. Cliquez sur [**OK**] pour terminer le processus de suppression.



LA SUPPRESSION D'UN UTILISATEUR DÉTRUIT AUTOMATIQUÉMENT TOUTES LES DONNÉES OMNIPASS ASSOCIÉES À CET UTILISATEUR. TOUTES LES IDENTITÉS ET TOUTES LES INFORMATIONS D'IDENTIFICATION DE L'UTILISATEUR SERONT PERDUES.

SI VOUS ÊTES CERTAIN DE DEVOIR SUPPRIMER L'UTILISATEUR, NOUS VOUS RECOMMANDONS D'EXPORTER LE PROFIL UTILISATEUR.

Paramètres utilisateur

L'onglet « Paramètres utilisateur » comporte trois interfaces : **Paramètres audio**, **Astuces de la barre de tâches** et **Enregistrement**. Les paramètres utilisateur permettent aux utilisateurs de personnaliser OmniPass pour répondre à leurs préférences individuelles. Sous **Paramètres utilisateur (Paramètres audio et Astuces de la barre de tâches)**, vous pouvez configurer la manière dont OmniPass informe l'utilisateur des événements d'OmniPass (par exemple, connexion réussie, accès refusé, etc.). Les détails de chaque paramètre sous les interfaces **Paramètres audio** et **Astuces de la barre des tâches** sont explicites.

L'interface **Enregistrement** vous permet d'enregistrer des empreintes digitales. Si vous désirez des informations sur la procédure d'enregistrement d'un périphérique d'authentification, reportez-vous au *Chapitre 2.3*. Pour enregistrer des empreintes digitales supplémentaires, cliquez sur [**Enregistrer un périphérique d'authentification**] et authentifiez-vous dans OmniPass. Sélectionnez le périphérique de reconnaissance d'empreintes digitales dans l'écran **Sélectionner un périphérique d'authentification** (il doit être déjà marqué d'une coche verte si vous avez enregistré un doigt), puis cliquez sur [**Suivant**].

Paramètres de système

Vous trouverez l'interface **Options de démarrage** dans l'onglet « Paramètres de système ». Les options de cette interface vous permettent de spécifier la manière dont votre ouverture de session OmniPass est associée à votre ouverture de session Windows.

La première option, **Se connecter automatiquement à OmniPass en tant qu'utilisateur actuel**, est explicite. Lors de l'ouverture d'une session Windows, vous êtes connecté à OmniPass à l'aide de vos références de connexion Windows. Si l'utilisateur ouvrant une session Windows n'a jamais été enregistré dans OmniPass, personne n'est connecté à OmniPass au moment de la connexion. Ce paramètre convient à une configuration de bureau ou à toute configuration nécessitant la saisie d'un nom d'utilisateur et d'un mot de passe pour utiliser l'ordinateur. Il s'agit du paramètre par défaut.

Avec la deuxième option, **Se connecter manuellement à OmniPass au démarrage**, OmniPass vous invite à vous connecter une fois que vous avez ouvert une session Windows.

Si vous choisissez la troisième option, **Ne pas se connecter à OmniPass au démarrage**, OmniPass n'invite pas l'utilisateur à se connecter.

Vous pouvez vous connecter manuellement à OmniPass en cliquant avec le bouton droit de la souris sur l'icône d'OmniPass dans la zone de notification et sur **[Connecter l'utilisateur]** dans le menu généré.

Dépannage

Vous ne pouvez pas utiliser OmniPass pour créer des utilisateurs Windows. Vous devez d'abord créer l'utilisateur Windows, ce qui nécessite des droits d'administrateur. Une fois l'utilisateur Windows créé, vous pouvez l'ajouter dans OmniPass avec le même nom d'utilisateur et le même mot de passe.

Impossible d'ajouter des utilisateurs Windows dans OmniPass

Si vous rencontrez des difficultés pour ajouter un utilisateur Windows dans OmniPass, vous devrez peut-être modifier vos paramètres de sécurité locale. Pour ce faire, allez à **[Démarrer], Panneau de configuration, Outils d'administration et Paramètres de sécurité locale**. Ouvrez **Stratégies locales et Options de sécurité**, puis double-cliquez sur **Accès réseau : Modèle de partage et de sécurité pour les comptes locaux**. La configuration correcte doit être *Classique – Les utilisateurs locaux s'authentifient eux-mêmes*.

Impossible d'ajouter un utilisateur avec un mot de passe vide dans OmniPass

Si vous rencontrez des difficultés pour ajouter un utilisateur avec un mot de passe vide dans OmniPass, vous devrez peut-être modifier vos paramètres de sécurité locale. Essayez d'abord la procédure expliquée dans la section *Impossible d'ajouter un utilisateur Windows dans OmniPass*. Si le problème persiste, essayez la procédure suivante.

Cliquez sur **[Démarrer], Panneau de configuration, Outils d'administration et Paramètres de sécurité locale**. Ouvrez **Stratégies locales et Options de sécurité**, puis double-cliquez sur **Comptes : restreindre l'utilisation de mots de passe vierges par le compte local à l'ouverture de session console**. Ce paramètre doit être configuré sur Désactivé.

Durant la procédure d'ouverture d'une session Windows, une boîte de dialogue s'affiche après l'authentification OmniPass

Après avoir installé OmniPass sur votre système, vous pouvez choisir de vous connecter à Windows à l'aide d'OmniPass. Vous vous authentifiez avec OmniPass (à l'aide du mot de passe principal ou d'un périphérique de sécurité enregistré) et OmniPass vous connecte à Windows. Au cours du processus d'authentification, il se peut que la boîte de dialogue **Erreur de connexion** s'affiche.

Cette boîte de dialogue apparaît si OmniPass n'a pas réussi à vous connecter à Windows à l'aide des informations d'identification fournies (nom d'utilisateur et mot de passe). Ceci peut arriver dans les circonstances suivantes :

- Votre mot de passe Windows a changé.
- Votre compte Windows a été désactivé.

Si vous rencontrez des difficultés à cause de la première raison, vous devrez mettre à jour OmniPass avec votre mot de passe de compte Windows modifié. Cliquez sur **[Mettre à jour le mot de passe]** et une boîte de dialogue vous invitera à reconfirmer votre mot de passe.

Entrez le nouveau mot de passe Windows et cliquez sur **[OK]**. Si l'erreur persiste, il est peu probable que le problème soit dû à la modification de votre mot de passe Windows.

Index

A

À propos de ce guide 1, 9

Adaptateur auto/avion 49

Alimentation

 adaptateur auto/avion 48

 adaptateur secteur 48

 gestion 60

 mise hors tension 64

 mise sous tension 53

 panne 112

 problèmes 115

 sources 48

 voyant 25

Auto-diagnostic de mise sous tension 53, 120

B

Batterie 66

 alarme 68

 augmentation de la durée de vie 140

 batterie au lithium-ion 66

 compartiment 23

 conservation de l'énergie 60

 court-circuitée 69

 défectueuse 114

 entretien 140

 épuisée 113

 faible 68

 Mode sommeil 68

 problèmes 113, 114

 recharge 67

 remplacement 69

 remplacement hors tension 69

 voyants de niveau 26

 voyant de niveau de charge 26

BIOS

 guide 56

 utilitaire de configuration 55

Bluetooth

 - Informations supplémentaires 189

Bouton d'alimentation/veille/reprise 14, 60

C

Câble de sortie c.c. 49

Capteur d'empreintes digitales 192

 barre d'outils d'authentification OmniPass 200

 connexion à un site mémorisé 202

 désinstallation d'OmniPass 196

 enregistrement d'une empreinte digitale 198

 enregistrement des utilisateurs 196

 installation d'OmniPass 194

 mémorisation d'un mot de passe 201

 première mise en marche 193

 remplacement du mot de passe 200

 utilisation d'OmniPass 200

Carte Memory Stick

 installation 80

 retrait 80

- Carte PC Card
 - fente 17
 - problèmes 111
 - retrait 82, 85
- Carte SD
 - installation 80
 - retrait 80
- Carte Secure Digital
 - retrait 80
- Cartes ExpressCard 81
- CD de pilotes et de restauration des applications 126
- CD-ROM 106
- Clavier 14, 29
 - pavé numérique 29
 - problèmes 108
 - touches de curseur 30
 - touches de fonction 30
 - touches Windows 30
- Click Me! 58
- Cliquer 33
- Codes de résultat du modem 125
- Commandes et connecteurs 13
- Compartiment multifonction 19, 37
 - bouton d'éjection 20
 - Graveur de DVD multiformat modulaire 71
 - installation 37
 - périphériques 37
 - remplacement hors tension 38
 - retrait 37
- Conventions utilisées dans ce guide 9
- Coordonnées pour contacter Fujitsu 10
- Curseur 32

D

- Dans Windows Vista :
 - Configuration de la carte réseau sans fil 183
 - restauration du système d'exploitation 127
- Déballage 12
- Dépannage 102
- DIMM 87
- Disque dur
 - problèmes 108
- Double-clic 34
- Duplicateur de ports
 - Connecteur pour duplicateur de ports 24
 - problèmes 107

E

- Écran 14, 50
 - fermeture 52
 - loquet 14
 - luminosité 51
 - ouverture 50
 - problèmes 116, 117
 - réglage 51
- et d'applications 39
- Étiquette de configuration 143

F

- FDU 59, 131, 154
- Fente de dispositif antiviol 20
- Fonction de veille prolongée 62
 - activation/désactivation 63

G

- Garantie 11
- Gestion de l'alimentation 60
- Glisser 34

H

- Hard Disk Drive
 - access indicator 27
- Haut-parleurs incorporés 105
- Haut-parleurs stéréo 15

I

- Installation 82, 83

L

- Lecteur de disquette externe
 - problèmes 107
- Lecteur de DVD
 - ouverture du plateau 75
 - problèmes 106
- Lecteur multimédia
 - chargement 73
 - entretien 142
 - Panneau de configuration 76
 - retrait 74
 - supplémentaires 72, 75
 - utilisation 77
- Lecteur optique 71
- Logiciels préinstallés 151
 - Adobe Acrobat Reader 152
 - Google Toolbar (Barre d'outils Google) 153
 - guides d'utilisation 152

M

- Mémoire
 - capacité 91
 - compartiment 23, 88
 - installation 88
 - module de mémoire additionnelle 87
 - problèmes 109

retrait 90, 91

- Messages d'erreurs 120
- Mode sommeil (veille) 61
- Modem 21
 - problèmes 109

N

- NumLk 28

O

- Ordinateur portable Fujitsu LifeBook
 - rangement 137, 138
 - voyager avec votre ordinateur 139
- Ouverture d'urgence du plateau 20

P

- Parallel Port 95
- Pavé tactile TouchPad 15, 32
 - boutons 32
 - commandes 34
 - Voir TouchPad 32
- Périphériques modulaires 37
 - installation 37
 - retrait 37
- Port de connexion 95
- Port parallèle
 - problèmes 110
- Port pour moniteur externe 19, 101
- Port série 96
 - problèmes 110
- Ports de périphériques 92, 147
- Ports USB (Universal Serial Bus) 97
- Ports USB 2.0 19, 20
- Prise d'alimentation c.c. 49
- Prise d'écouteurs 100
- Prise de micro 15, 100

- Prise de modem 92
- Prise de réseau local (RJ-45) 20
- Prise de réseau local interne 93
- Problèmes d'alimentation électrique 112

R

- Redémarrage 63
- Réglage du volume 36
- Remplacement hors tension 38, 69
- Réseau local sans fil
 - Avant d'utiliser la carte réseau sans fil 177
 - Connexion au réseau 184
 - Dépannage 185
 - Spécifications 187
- Restaurer vos logiciels préinstallés 126
- RJ-11 92
- RJ-45 94

S

- ScrLk 28
- SDRAM 23, 87
- Secteur
 - adaptateur 49
 - adaptateurs de fiches 139
- Souris
 - problèmes 108

- Spécifications 143
 - Alimentation 149
 - Audio 145
 - Clavier 148
 - Dimensions et poids 150
 - Environnement d'exploitation 150
 - Mémoire 144
 - Microprocesseur 144
 - Puce 144
 - Vidéo 144

T

- Tableau de sécurité 39
- Tableau de sécurité et d'applications LifeBook
 - boutons 45
 - configuration 46
 - désactivation 47
 - désactivation et activation 47
 - désinstallation 43
 - lancement d'applications 45
 - mots de passe 40
 - utilisation 42
- Tableau de sécurité et d'applications LifeBook 14
- Tableau de voyants d'état 14, 25
- Téléchargement automatique des mises à jour de pilotes 131
- Touche de fonction
 - [F10] 31
 - [F3] 31
 - [F4] 31
 - [F6] 31
 - [F7] 31
 - [F8] 31, 36
 - [F9] 31, 36
 - Fn 31

Touches de curseur 30
Touches Windows 30
 Touche Application 30
 Touches Démarrer 30

U

USB 97, 110
 problèmes 110
Utilitaire de mise à jour des pilotes Fujitsu Driver Update 59,
 131, 154

V

Voyant de charge des batteries 26
Voyant de niveau de charge 26