

Copyright

Fujitsu Limited has made every effort to ensure the accuracy and completeness of this document. However, as ongoing development efforts are continually improving the capabilities of our products, we cannot guarantee the accuracy of the contents of this document. We disclaim liability for errors, omissions or future changes.

LifeBook is a trademark of Fujitsu Limited.

Microsoft, Windows, MS, MS-DOS and Windows NT are registered trademarks of the Microsoft Corporation of the United States in the United States and other countries.

Phoenix is a registered trademark of Phoenix Technologies Corporation of the United States.

ExpressCard™ module technology is a registered trademark of Personal Computer Memory Card International Association. ExpressCard ID: EC100034.

Copyright© 1981-1999 Microsoft Corporation, All rights reserved.

Copyright© 1999 Phoenix Technologies, Ltd., All rights reserved.

Other product names are trademarks or registered trademarks of their respective companies.

© Copyright 2005 Fujitsu Limited. All rights reserved. No part of this publication may be copied, reproduced or translated, without the prior written consent of Fujitsu Limited. No part of this publication may be stored or transmitted in any electronic form without the written consent of Fujitsu Limited.

This device complies with Part 15 of the FCC rules. Operations are subject to the following two conditions:

- (1) This device may not be allowed to cause harmful interference.
- (2) This device must accept any interference received, including interference that may cause undesired operation.

Website: www.pc-ap.fujitsu.com

* This manual is applicable only for C1320/C1321.



DECLARATION OF CONFORMITY
according to FCC Part 15

IMPORTANT SAFETY INSTRUCTIONS

1. Read these instructions carefully. Save these instructions for future reference.
2. Follow all warnings and instructions marked on the product.
3. Unplug this product from the wall outlet before cleaning. Do not use liquid cleaners or aerosol cleaners. Use a damp cloth for cleaning.
4. Do not use this product near water.
5. Do not place this product on an unstable cart, stand or table. The product may fall, causing serious damage to the product.
6. Slots and openings in the cabinet and the back or bottom are provided for ventilation; to ensure reliable operation of the product and to protect it from overheating, these openings must not be blocked or covered. The openings should never be blocked by placing the product on a bed, sofa, rug or other similar surface. This product should never be placed near or over a radiator or heat register or in a built-in installation unless proper ventilation is provided.
7. This product should be operated from the type of power indicated on the marking label. If you are not sure of the type of power available, consult your dealer or local power company.
8. This product is equipped with a 3-wire grounding-type plug, a plug having a third (grounding) pin. This will only plug into a grounding-type power outlet. This is a safety feature. If you are unable to insert the plug into the outlet, contact your electrician to replace your obsolete outlet. Do not defeat the purpose of the grounding-type plug.
9. Do not allow anything to rest on the power cord. Do not locate this product where persons will walk on the cord.
10. If an extension cord is used with this product, make sure that the total ampere rating of the equipment plugged into the extension cord does not exceed the extension cord ampere rating. Also, make sure that the total rating of all products plugged into the wall outlet does not exceed 15 amperes.
11. Never push objects of any kind into this product through cabinet slots as they may touch dangerous voltage points that could result in a fire or electric shock. Never spill liquid of any kind on the product.
12. Do not attempt to service this product yourself, as opening or removing covers may expose you to dangerous voltage points or other risks. Refer all servicing to qualified service personnel.
13. Unplug this product from the wall outlet and refer servicing to qualified service personnel under the following conditions:
 - a. When the power cord or plug is damaged or frayed.
 - b. If liquid has been spilled into the product.
 - c. If the product has been exposed to rain or water.
 - d. If the product does not operate normally when the operating instructions are followed. Adjust only those controls that are covered by the operating instructions since improper adjustment of other controls may result in damage and will often require extensive work by a qualified technician to restore the product to normal condition.
 - e. If the product has been dropped or the cabinet has been damaged.
 - f. If the product exhibits a distinct change in performance, indicating a need for service.

-
14. **CAUTION:** When replacing the battery, be sure to install it with the polarities in the correct position. There is a danger of explosion if the battery is replaced with an incorrect type or is mistreated. Do not recharge, disassemble or dispose of in fire. Replace only with the same or equivalent type recommended by the manufacturer. Dispose of the used battery according to the manufacturer's instructions.
 15. Use only the proper type of power supply cord set (provided in your accessories box) for this unit. It should be a detachable type: UL listed/CSA certified, BS1363, ASTA, SS145 certified, rated 10A 250V minimum, VDE approved or its equivalent. Maximum length is 15 feet (4.6 meters).

CAUTION

- Changes or modifications not expressly approved by Fujitsu could void this user's authority to operate the equipment.

FCC NOTICES

Notice to Users of Radios and Television

These limits are designed to provide reasonable protection against harmful interference in a residential installation. This equipment generates, uses, and can radiate radio frequency energy and, if not installed and used in accordance with the instructions, may cause harmful interference to radio communications. However, there is no guarantee that interference will not occur in a particular installation. If this equipment does cause harmful interference to radio or television reception, which can be determined by turning the equipment off and on, the user is encouraged to try to correct the interference by one or more of the following measures:

- Reorient or relocate the receiving antenna.
- Increase the separation between the equipment and receiver.
- Connect the equipment into an outlet that is on a different circuit than the receiver.
- Consult the dealer or an experienced radio/TV technician for help.

Shielded interconnect cables must be employed with this equipment to ensure compliance with the pertinent RF emission limits governing this device.

Notice to Users of the US Telephone Network

Your LifeBook notebook may be supplied with an internal modem which complies with Part 68 of the FCC rules. On this notebook is a label that contains the FCC Registration Number and the Ringer Equivalence Number (REN) for this

equipment among other information. If requested, the user must provide their telephone company with the following information:

1. The telephone number to which the notebook is connected.
2. The Ringer Equivalence Number (REN) for this equipment.
3. That the equipment requires a standard modular jack type USOC RJ-11C which is FCC Part 68 compliant.
4. The FCC Registration Number.

This equipment is designed to be connected to the telephone network or premises wiring using a standard modular jack type USOC RJ-11C which is FCC Part 68 compliant and a line cord between the modem and the telephone network with a minimum of 26AWG.

The REN is used to determine the number of devices that you may connect to your telephone line and still have all of those devices ring when your number is called. Too many devices on one line may result in failure to ring in response to an incoming call. In most, but not all, areas the sum of the RENs of all of the devices should not exceed five (5). To be certain of the number of devices you may connect to your line, as determined by the RENs, contact your local telephone company.

If this equipment causes harm to the telephone network, your telephone company may discontinue your service temporarily. If possible, they will notify you in advance. If advance notice is not practical they will notify you as soon as possible. You will also be advised of your right to file a complaint with the FCC.

This fax modem also complies with fax branding requirements per FCC Part 68.

Your telephone company will probably ask you to disconnect this equipment from the telephone network until the problem is corrected and you are sure that the equipment is not malfunctioning.

This equipment may not be used on coin-operated telephones provided by your telephone company. Connection to party lines is subject to state tariffs. Contact your state's public utility commission, public service commission or corporation commission for more information.

This equipment includes automatic dialing capability. When programming and/or making test calls to emergency numbers:

- Remain on the line and briefly explain to the dispatcher the reason for the call.
- Perform such activities in off-peak hours, such as early morning or late evening.

FCC rules prohibit the use of non-hearing aid compatible telephones in the following locations or applications:

- All public or semipublic coin-operated or credit card telephones.
- Elevators, highways, tunnels (automobile, subway, railroad or pedestrian) where a person with impaired hearing might be isolated in an emergency.
- Places where telephones are specifically installed to alert emergency authorities such as fire, police or medical assistance personnel.
- Hospital rooms, residential health care facilities, convalescent homes and prisons.
- Workstations for the hearing impaired.
- Hotel, motel or apartment lobbies.
- Stores where telephones are used by patrons to order merchandise.
- Public transportation terminals where telephones are used to call taxis or to reserve lodging or rental cars.
- In hotel and motel rooms as at least ten percent of the rooms must contain hearing aid compatible telephones or jacks for plug-in hearing aid compatible telephones which will be provided to hearing impaired customers on request.

CAUTION

- For safety, users should ensure that the electrical ground of the power utility, the telephone lines and the metallic water pipes are connected together. Users should NOT attempt to make such connections themselves but should contact the appropriate electric inspection authority or electrician. This may be particularly important in rural areas.

UL Notice

This unit requires an AC adapter to operate. Use only UL Listed Class 2 adapter, output rating 19VDC, 4.22A. Refer to the illustration below for the correct AC Adapter output polarity:



CAUTION

- To reduce the risk of fire, use only #26 AWG or larger telecommunications line cord.

For Authorized Repair Technicians Only

CAUTION

- For continued protection against risk of fire, replace only with the same type and rating fuse.

WARNING

- Danger of explosion if Lithium (CMOS) battery is incorrectly replaced. Replace only with the same or equivalent type recommended by the manufacturer. Dispose of used batteries according to the manufacturer's instruction.

Proper Disposal of Battery

Under federal, state or local law, it may be illegal to dispose of batteries by putting them in the rubbish bins or trash cans. Please take care of our environment and dispose of batteries properly. Check with your local government authority for details regarding recycling or disposing of unwanted batteries.

NOTE ON USE REQUIRED HIGH SAFETY

This product is designed and manufactured for general use, including general office use, personal use, household use and ordinary industrial use.

This product is not designed for or intended for use under dangerous (fatal) conditions, unless extreme safety precautions are implemented.

Do not use this product without implementing high-level safety precautions.

Failure to follow this warning may result in death, personal injury, severe physical damage or other loss, if used in or near any or more of the following:

- nuclear reaction control system in a nuclear facility
- automatic flight control system in an airplane or other flight control system
- mass transport control system
- medical instruments for life support system
- missile launching control for weapon system

NOTE ON BACKUP DATA

Please make a backup of the Operating System, any software programs, and created files (and update regularly).

If you send this product to Fujitsu, or any of its affiliates, suppliers, service providers or resellers for repair, Fujitsu does not guarantee the data integrity. It is your responsibility to back data up beforehand.

Fujitsu does not assume any obligation for compensation for damages, data integrity, or restoration, etc., if your data is lost for any reason, except as written in the warranty.



AUSTRALIAN WARNINGS

WARNING

FOR SAFETY REASONS, ONLY CONNECT EQUIPMENT WITH A TELECOMMUNICATIONS COMPLIANCE LABEL. THIS INCLUDES CUSTOMER EQUIPMENT PREVIOUSLY LABELLED PERMITTED OR CERTIFIED.

Connection of Non Certified/Approved peripherals may result in the equipment operating outside the Australian EMI Standards.

Modems connected to the Australian telecommunications network must be operated in accordance with the Labelling Notice. This modem has been specifically configured to ensure compliance with the ACA Standards. Do not adjust your modem or software outside the values indicated below. To do so would result in your modem being operated in a non-compliant manner.

Call Attempts/Retries:

Applications software shall be configured so that no more than 3 attempts are made to establish a connection to a given number (Note: if the modem can detect service tones, up to 10 attempts can be made). If the call sequence is unsuccessful, there shall be a delay of at least 30 minutes before attempting to call the number again.

Failure to set the modem and any application software used with the modem, to the values shown above will result in the modem being operated in a non-compliant manner. Consequently, this would be in violation of the Labelling Notice for this equipment and the Telecommunications Act 1997 prescribes penalties for the connection of non-compliant equipment.

NEW ZEALAND WARNINGS

The grant of a Telepermit for any item of terminal equipment indicates only that Telecom has accepted that the item complies with minimum conditions for connection to its network. It indicates no endorsement of the product by Telecom, nor does it provide any sort of warranty. Above all, it provides no assurance that any item will work correctly in all respects with another item of Telepermitted equipment of a different make or model, nor does it imply that any product is compatible with all of Telecom's network services.

This equipment is not capable under all operating conditions of correct operation at the higher speeds for which it is designed. 56 Kbps connections are likely to be restricted to lower bit rates when connected to some PSTN implementations. Telecom will accept no responsibility should difficulties arise in such circumstances.

Immediately disconnect this equipment should it become physically damaged, and arrange for its disposal or repair.

This equipment shall not be used in any manner, which could constitute a nuisance to other Telecom customers.

This equipment shall not be set to make automatic calls to the Telecom "111" Emergency Service.

This device is equipped with pulse dialing while the New Zealand standard is DTMF tone dialing. There is no guarantee that Telecom lines will always continue to support pulse dialing. It is strongly recommended that pulse dialing is not used.

Some parameters required for compliance with Telecom's Telepermit requirements are dependent on the equipment (PC) associated with this device. The associated equipment shall be set to operate within the following limits for compliance with Telecom's Specifications:

For repeat calls to the same number.

There shall be no more than 10 call attempts to the same number within any 30 minute period for any single manual call initiation and the equipment shall go on-hook for a period of not less than 30 seconds between the end of one attempt and the beginning of the next attempt.

For Automatic calls to different numbers.

The equipment shall go on-hook for a period of not less than 5 seconds between the end of one attempt and the beginning of the next attempt.

For Automatically answered Incoming Calls.

Incoming calls shall be answered between 3 and 30 seconds from the start of the ringing.

For correct operation, the total of the RNs of all devices connected to a single line at anytime should not exceed 5. The RN of this Equipment is 0.5.

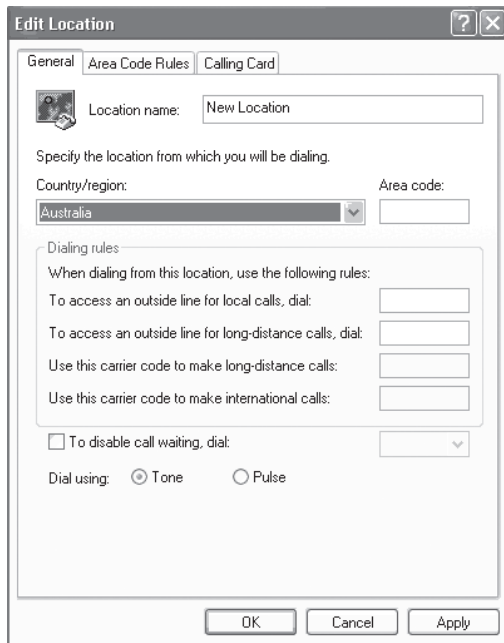
WARNING:

CONNECTION OF NON CERTIFIED/ APPROVED PERIPHERALS MAY RESULT IN THE EQUIPMENT OPERATING OUTSIDE THE NEW ZEALAND EMI STANDARDS.

NOTE: Modem setting in Windows XP

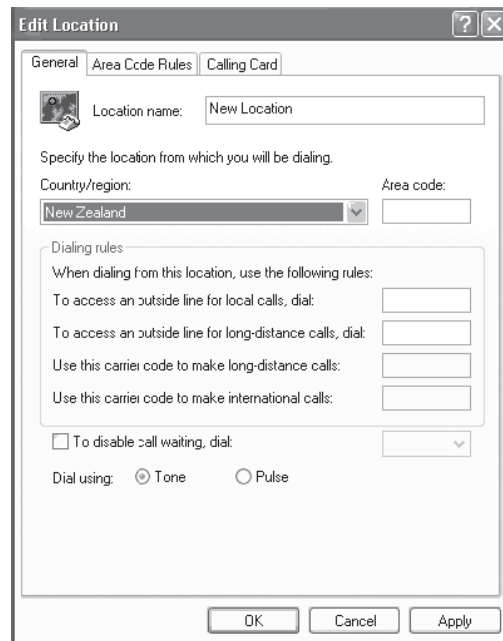
A. If you are located in Australia

1. Click Start select Control panel select "Phone and Modem Options".
2. Double click New Location.
3. Choose "Australia" in Country/region pull down menu bar.
4. Select Phone system as "Tone Dialing".
5. Click OK and Apply.



B. If you are located in New Zealand

1. Click start select Control panel select "Phone and Modem Options".
2. Double click New Location.
3. Choose "New Zealand" in Country/region pull down menu bar.
4. Select Phone system as "Tone Dialing".
5. Click OK and Apply.

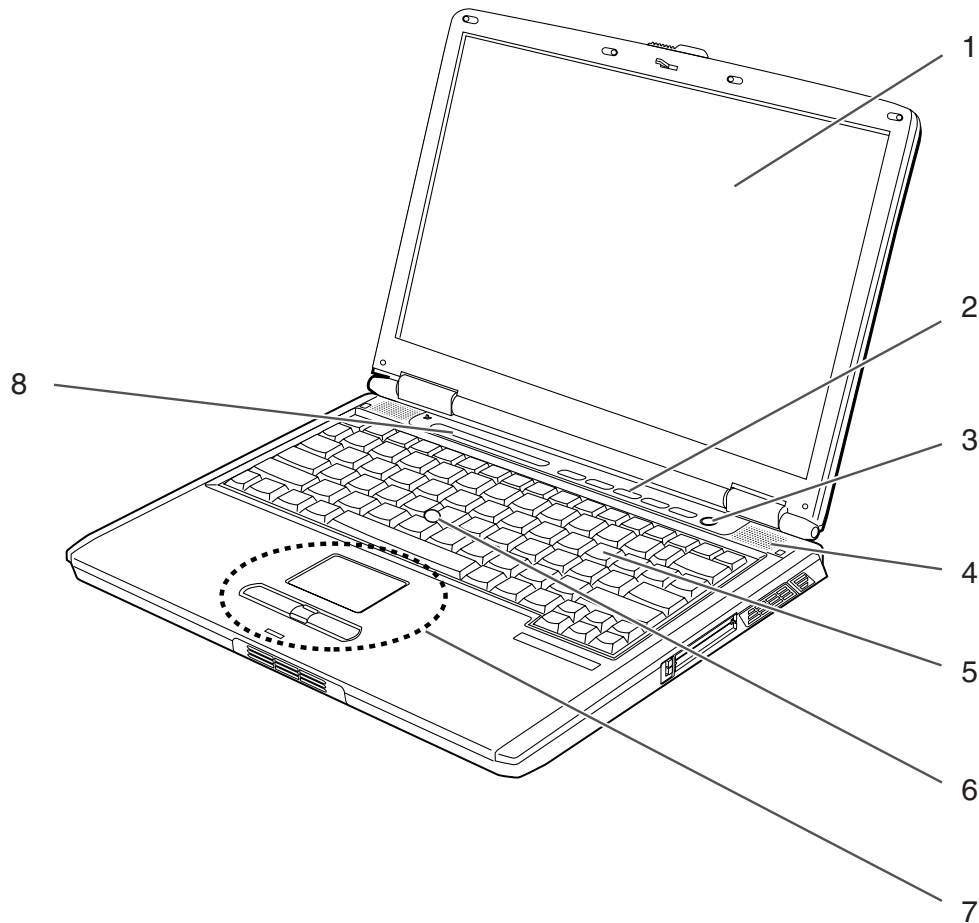


NOTE:

The screens and illustrations shown in this examples may slightly vary depending on the operating environment that you have installed.

Table of Contents

NAMES OF THE PARTS AND THEIR FUNCTIONS	1	POWER SOURCES	15
Front features of the notebook	1	Connecting the Power Adapter	15
Exterior features: Side view	3	Power On	16
Exterior features: Top and Bottom view of the notebook	6	Power Off	16
Exterior features: Rear view of notebook	7	CHANGING THE INTERNAL BATTERY PACK	17
Port Replicator	8	ADDING MEMORY MODULE	18
STATUS INDICATOR LCD	10	Where to install memory module	18
Power Indicator	10	Preparing necessary items	18
AC Adapter Indicator	10	Installing memory module	18
Battery Level Indicators	10	Checking the memory capacity	20
Battery Charging Indicator	10	Changing memory module	20
Wireless Lan Indicator	10	TROUBLESHOOTING	22
Optical Drive Access Indicator	10	Identifying the Problem	22
Disk Drive Access Indicator	10	Specific Problems	22
PC Card Slot Access Indicator	11	Troubleshooting Table	23
Num Lock Indicator	11	NOTE:	
Caps Lock Key	11	A copy of LifeBook User's Manual is located on your Microsoft Windows Desktop and Software Drivers CD. You can use this LifeBook User's Manual to find out more information about the functions and features of your notebook.	
Scroll Lock Indicator	11		
RUNNING THE NOTEBOOK ON ITS BATTERY	12		
Recharging the battery	12		
Running the notebook on its battery	13		
Checking the power level of the battery	13		
Low battery condition	14		



(This picture is for illustration purpose only and may look different from the actual unit)

NAMES OF THE PARTS AND THEIR FUNCTIONS

Front features of the notebook

1. LCD Panel

The display screen of the notebook.



POINT

- The phenomena described below are characteristics of LCD panels and do not indicate that LCD panels are defective.
 - The TFT color LCD screen of your notebook, composes of more than 2,350,000 picture elements (number of dots when the screen resolution is set at 1024 by 768 pixels). It was manufactured using advanced technologies. For technical reasons, LCD screen may have pixels that do not light and pixels that are always lit.
 - LCD panels may display slight varying colors and uneven density.

2. LifeBook Media Playback/Application Panel*

The LifeBook Media Playback panel provides audio and video media playback functions of the media in the bay optical disk drive. The Application panel provides one-touch application launch capability.

3. Power and Suspend/Resume Button

This button allows you to power on or off the notebook. You can use also this button to suspend notebook activity without turning off the power to it and to resume the notebook from suspend mode.

4. Speakers

The built-in dual speakers provide stereo sound.

5. Keyboard

A 84-key keyboard with dedicated Windows key, Page Up (PgUp) key and Page Down (PgDn) key.

6. Quick Point*

This is an optional feature that provides an additional method to move the display cursor (mouse point).

7. Touch Pad

It allows you to control the display cursor (mouse pointer).



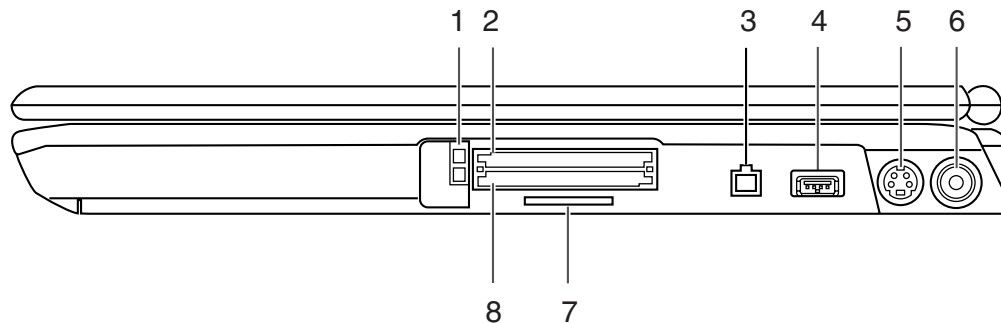
POINT

- Some applications may not allow you to scroll up and down a document using the scroll button.

8. Status Indicator LCD

This indicator displays operating status symbols that correspond to specific components of your notebook.

* This feature is applicable only to certain models.



(This picture is for illustration purpose only and may look different from the actual unit)

Exterior features: Side view

■ Right view of the notebook

1. ExpressCard™ and PC Card Eject Buttons

You press these buttons to eject the ExpressCard™ module and PC card installed in the card slots.

2. ExpressCard™ Slot

It allows you to connect ExpressCard™ module.

There are two sizes of ExpressCard™ module. One is 34mm wide (ExpressCard™/34) and the other is 54mm wide (ExpressCard™/54).

This LifeBook can support both sizes of ExpressCard™ accessory.

NOTE:

ExpressCard™ Compliance ID: EC100034.

3. IEEE 1394 Port

You can use this port to connect to a multimedia device with an IEEE 1394 port such as a digital video camera.

4. USB 2.0 Port

The USB 2.0 port allows you to connect Universal Serial Bus devices. USB 2.0 devices transfer data at up to 480Mbps and is backward compatible with USB 1.1 devices, which transfer data at up to 12Mbps.

5. Video Output (S-Video) Terminal

You can use this port to connect to a TV with S-video port for high quality video output using an optional S-video cable.

6. DC-IN Jack

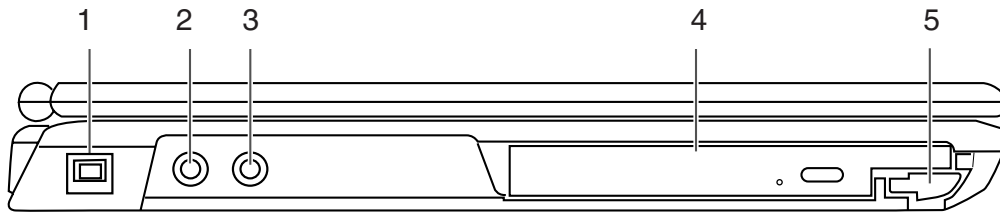
You plug in the supplied AC adapter into this port to power your notebook and charge the battery.

7. Secured Digital Card Slot

It allows you to insert an optional Secured Card (SD) into the slot and use it as a storage device.

8. PC Card

It allows you to install an optional PC Card.



(This picture is for illustration purpose only and may look different from the actual unit)

■ Left view of the notebook

1. Wireless LAN Switch/Infrared Port

- **Wireless LAN switch**
This switch turns the wireless LAN antenna ON and OFF.

NOTE:

This is applicable only for notebooks with wireless LAN antenna.

- **Infrared Port***
The fast IrDA port allows you to communicate with another IrDA compatible infrared device wirelessly.

* This feature is applicable only to certain models.

Your notebook is equipped with high definition audio (HDA) jacks.

2. HDA-Out

It allows jack sensing of the following audio output devices.

- **Headphone**
It allows you to connect a Ø3.5mm headphone to it. There are commercially available headphones with different types of connector. Please check the compatibility of these headphones before purchase.
- **Line-out**
It allows you to connect an external audio device e.g. a pair of stereo speakers to it.

3. HDA-In

It allows jack sensing of the following audio input devices.

- **Microphone**
It allows you to connect a Ø3.5mm mono or stereo microphone to it.
- **Line-in**
It allows you to connect an external audio source to it e.g. an external CD player or a MP3 player.



IMPORTANT

- If this LifeBook come with an optical drive that can read DVD titles, then this drive is pre-set at factory to read DVD titles with region codes for specific Asia Pacific markets (e.g. code 3 for Asian, code 4 for Australia, code 6 for China).
- The first time you play a DVD title with a region code different from that of the DVD optical drive - the region code set at factory, you will be prompted to change the region code of the DVD optical drive. The region code of a DVD optical drive can be changed up to 4 times, after which it will be locked so that the DVD optical drive can only play DVD titles of the final region code set.



POINT

- Do not leave this bay vacant. This may cause unexpected system failure.

4. **Mobile Multi-Purpose Bay***

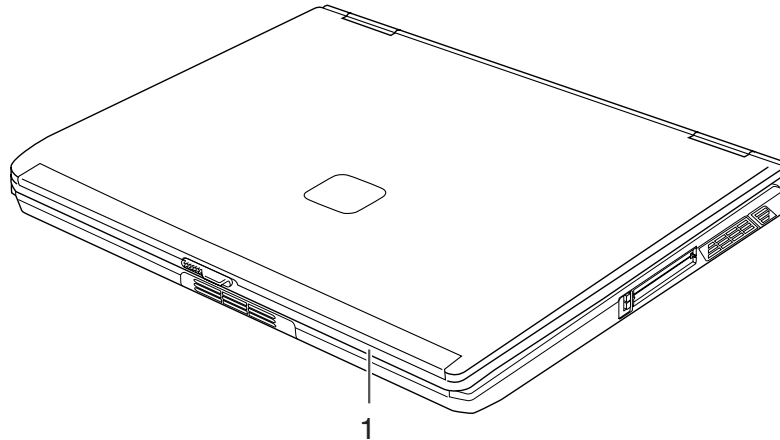
Your notebook comes with an internal optical disk drive, which may vary between countries. Please check with your local distributor for actual configuration. You may change the installed optical disk drive with other bay options. These are sold separately.

5. **Bay Unit Release Lever***

You can use this lever to release an installed multi-purpose bay device.

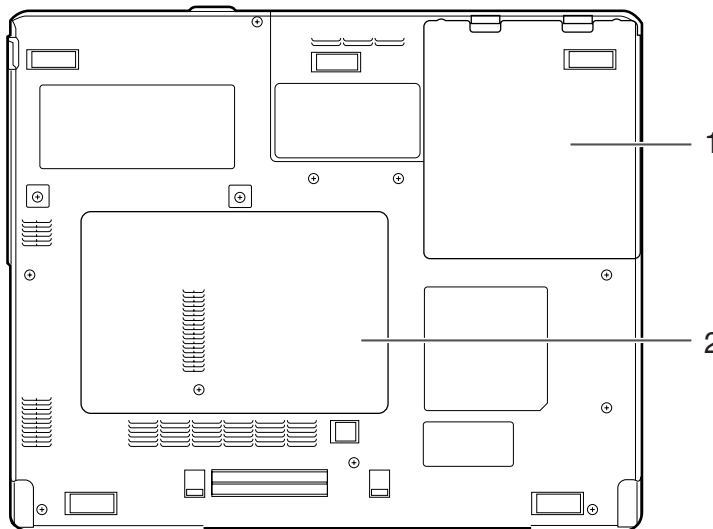
* The Mobile Multi-Purpose Bay and Bay Unit Release Lever are applicable only to notebooks with hot-swappable bay devices. Notebooks with built-in optical disk drives do not have these two features.

Exterior features: Top and Bottom view of the notebook



1. Built-in Wireless LAN

The location of the dual Wireless LAN antenna.



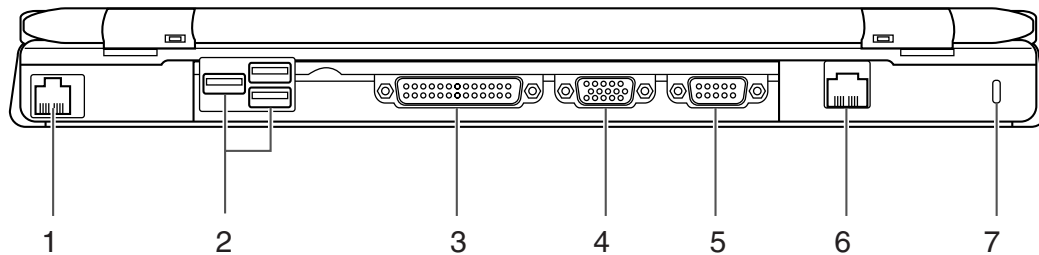
(This picture is for illustration purpose only and may look different from the actual unit)

1. Internal Battery Pack Bay

The location of the internal battery pack.

2. Expansion RAM Module Slot

The location of the expansion memory slot.



(This picture is for illustration purpose only and may look different from the actual unit)

Exterior features: Rear view of the notebook

- 1. Modem (RJ-11) Port**

It allows you to connect your notebook internal modem to a phone line socket using a supplied RJ-11 cable.
- 2. USB 2.0 Ports**

The USB 2.0 ports allow you to connect Universal Serial Bus devices. USB 2.0 devices transfer data at up to 480Mbps and is backward compatible with USB 1.1 devices, which transfer data at up to 12Mbps.
- 3. Parallel Port**

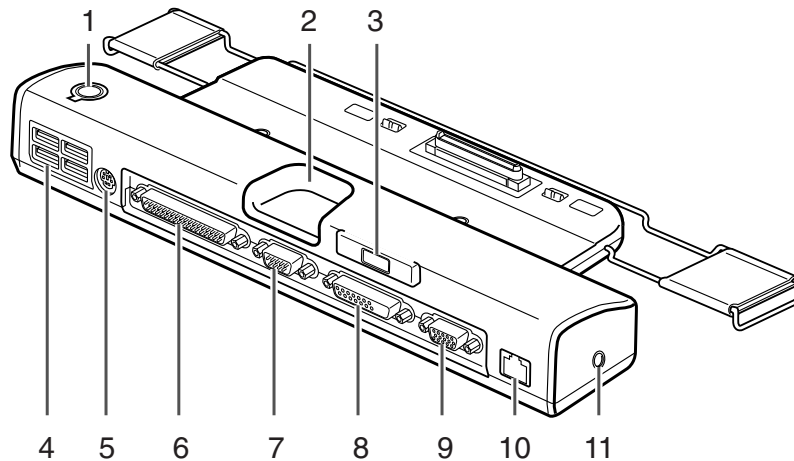
The parallel port allows you to connect parallel devices.
- 4. External VGA Port**

The external VGA port allows you to connect an external display or CRT monitor.
- 5. Serial Port**

The serial port allows you to connect serial devices.
- 6. LAN (RJ-45) Port**

This port allows you to connect to a LAN (local area network) using an optional LAN cable. The port is compatible with 1000/100/10 Base-T networks.
- 7. Anti-theft Lock Slot**

It allows you to attach an optional physical lock down device.



(This picture is for illustration purpose only and may look different from the actual unit)

PORT REPLICATOR*

The port replicator is an optional item. It may be bundled in certain country configurations. Please check the country configurations with your local distributor.

* This option is applicable only to certain models.

■ Port replicator back panel

Back Panel Components

The following is a brief description of the port replicator back panel components.

1. Power and Suspend/Resume Button

This button allows you to power on or off the notebook. You can also use this button to suspend notebook activity without turning off the power to it and to resume the notebook from suspend mode.

2. Release Lever

You can press the port replicator release lever to remove the port replicator from the notebook.

3. Anti-theft Lock Slot

It allows you to attach an optional physical lock down device.

4. USB 2.0 Ports

The USB 2.0 ports allow you to connect Universal Serial Bus devices. USB 2.0 devices transfer data at up to 480Mbps and is backward compatible with USB 1.1 devices, which transfer data at up to 12Mbps.

5. PS/2 Keyboard/Mouse Port.

The PS/2 port allows you to connect an external PS/2 keyboard or mouse.

6. Parallel Port

The parallel port allows you to connect parallel devices.

7. External VGA Port

The external VGA port allows you to connect an external display or CRT monitor.

8. Digital Video Interface (DVI-D)

The DVI-D port allows you to connect a flat-panel LCD display or television that is equipped with a DVI-D port for ultra-crisp digital images and graphics.

9. Serial Port

The serial port allows you to connect serial devices.

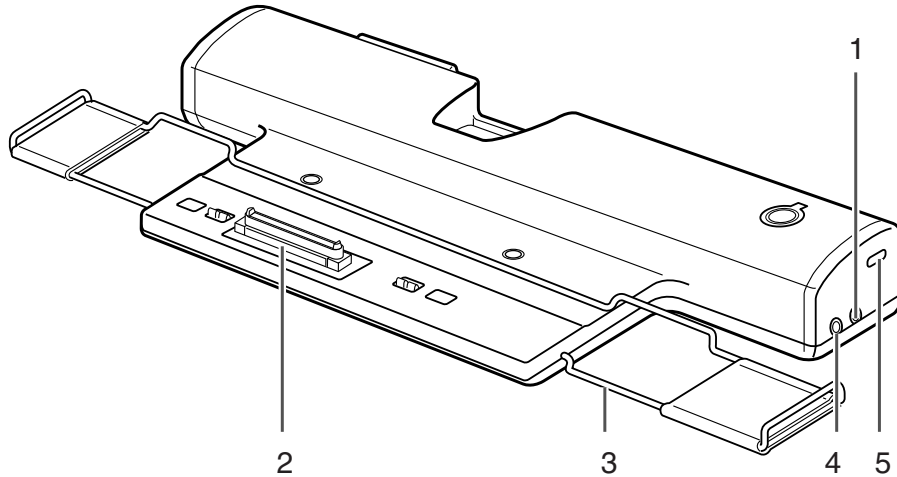
10. Lan (RJ-45) Jack

The LAN port allows you to connect a LAN (RJ-45).

Note that when your notebook is docked on the port replicator, the LAN port on the LifeBook is not accessible. The port replicator LAN port should be used to connect to network resources when the LifeBook is docked on the port replicator.

11. DC Power Jack

The DC power jack allows you to plug in the AC Adaptor to power on your notebook.



(This picture is for illustration purpose only and may look different from the actual unit)

■ Port replicator front panel

Front Panel Components

The following is a brief description of the port replicator front panel components.

1. Headphone Jack

The headphone jack allows you to connect a headphone or external speakers.

2. Port Replicator Interface

This interface connects the port replicator to your notebook.

3. Adjustable Guide Bar

The adjustable guide bar allows you to use the port replicator with a variety of different LifeBook models.

NOTE:

To dock the LifeBook onto the port replicator, the adjustable guide bar must be in the upper position as shown in the picture.

4. Microphone Jack

It allows you to connect an external mono microphone.

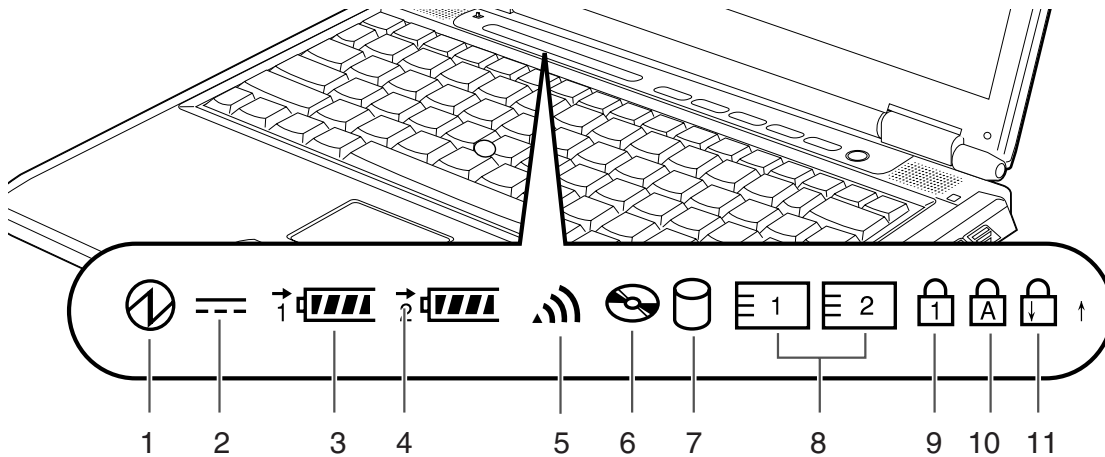
5. Anti-theft Lock Slot

It allows you to attach an optional physical lock down device.



IMPORTANT

- Certain peripheral devices connected to the port replicator may operate in an unstable manner if the port replicator is installed/removed when the LifeBook power is on. If this happens, switch off the LifeBook power prior to installing/removing the port replicator.



(This picture is for illustration purpose only and may look different from the actual unit)

STATUS INDICATOR LCD

1. Power Indicator (ⓘ)

This indicator turns on when there is power to the notebook.

It turns off when the notebook is powered off. This indicator will blink if the notebook is put in suspend mode.

2. AC Adapter Indicator (≡)

This indicator states the power source of your notebook i.e. from an external AC adapter or an internal battery. The indicator turns on when the power source is from an external AC adapter. It turns off when power source is from internal battery.

3. Battery Level Indicators (⚡, ⚡)

The two Battery Level Indicators state the presence of standard Li-ion battery and optional modular bay Li-ion battery. Battery 1 refers to the standard battery and Battery 2 refers to the optional modular bay battery. In addition, these two indicators show the remaining power of the batteries.

4. Battery Charging Indicator (→)

This indicator turns on when internal battery is being charged.

5. Wireless Lan Indicator (📶)

This indicator is shown when the wireless LAN switch is turned ON. It disappears when the wireless LAN switch is turned OFF.

6. Optical Drive Access Indicator (🔍)

This indicator turns on when an optical drive device is being accessed.

7. Disk Drive Access Indicator (🗄️)

This indicator turns on when an internal hard disk drive or a removable disk drive is being accessed.



POINT

- Do not power off the notebook when the disk drive access indicator is shown. Failure to do so corrupt data on the disk as well as the installed operating system.

8. PC Card Slot Access Indicator (E1 E2)

This indicator turns on if an application tries to access a PC Card slot regardless whether a PC Card is installed in the slot.

9. Num Lock Indicator (L1)

This indicator lights up when the keyboard is locked in Num Lock mode. (You can use the keyboard as a ten-digit keyboard when the Num Lock mode is turned on).

You can toggle the Num Lock mode by using the [Num Lk] key.

10. Caps Lock Key (A)

You can toggle the Caps Lock mode by using the [CapsLock] key.

11. Scroll Lock Indicator (L2)


This indicator turns on when the lock mode is turned on.

You can toggle the Scroll Lock button by using the [Scr Lk] key while holding down the [Fn] key.

RUNNING THE NOTEBOOK ON ITS BATTERY



Recharging the battery

1. Connect the AC adapter to your notebook.

The moment you connect an AC adapter to your notebook, the notebook begins to charge the internal standard battery pack. The charging status () on the Status Indicator LCD turns on.

2. When the indicator turns off after the battery is completely charged, disconnect the AC adapter from the notebook.

POINT

- Before using the supplied battery pack for the very first time after purchase, remember to charge it fully. If a charged battery has not been recharged for more than a month, charge it fully before using it.
- When the battery is fully charged, the charging status indicator turns off and the indicator stops blinking () and lights up ().

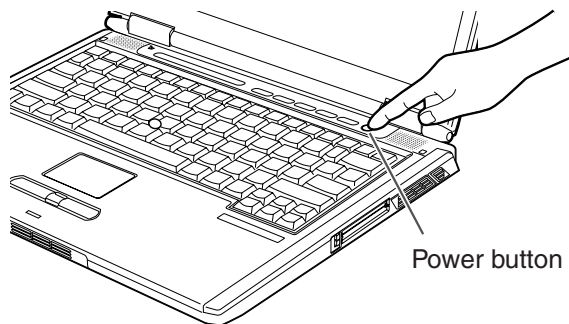
POINT

- When the battery is 90% or more charged, it cannot be recharged even if the AC adapter is connected. The battery can be recharged when its power level (i.e. remaining battery life) is 89% or less.
- When a notebook is turned off, all indicators on the status LCD goes off immediately if the battery is completely charged.
- The chargeability of the battery degrades when it is used in an extremely hot or cold place.
- When the battery is very hot, for example, immediately after long usage of the notebook, the battery protection feature may be activated to prevent the battery from being recharged. When the temperature decreases, the notebook automatically begins to charge the battery.
- When an optional modular bay battery is installed, it is charged along with the internal standard battery.

Running the notebook on its battery

This section describes the steps to run the notebook on its internal standard battery.

1. **Disconnect the AC adapter from your notebook and press the power button.**



(This picture is for illustration purpose only and may look different from the actual unit)


POINT


- The power level of the battery decreases faster when it is used in a cold place.
- The chargeability of the battery decreases after it has been used over a long period of time. If the battery runs down very fast, replace it with a new battery.
- When an optional modular bay battery is installed, it is charged along with the internal standard battery.


Checking the power level of the battery

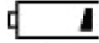
When the notebook is turned on or when the battery is being charged, the Battery Level indicators turns on and blinks to show the power level of the battery.


■ Different power level of the battery


-  The battery is between 76% and 100% charged.

↓
-  The battery is between 51% and 75% charged.

↓
-  The battery is between 26% and 50% charged.

↓
-  The battery is between 13% and 25% charged or between 0% and 25% during charging.


↓
-  Low Power Level
The battery is below 12% charged.

↓
-  Dead Battery
The battery is 0% charged.


POINT

- Due to certain characteristics of Li-ion battery, the Battery Level Indicators may not correctly show the remaining power of the battery, especially under extreme temperature conditions.
- When the battery is 90% or more charged, it cannot be recharged even if the AC adapter is connected to the notebook. The battery can be recharged when its 89% or less.


■ Battery Failure Alert

 Indicates that the battery cannot be charged properly.

POINT

- If  is indicated, turn off the notebook, remove the battery and reinstall it properly.

Low battery condition

When the battery is discharged to a very low level, the battery level indicator on the status indicator LCD blinks (). If it blinks, connect the AC adapter to your notebook immediately to recharge the battery.

POINT

- The use of a weak battery may result in lost of data you are currently working on. When the battery runs low, connect the AC adapter to your notebook as soon as an external power source is available or immediately save the data you are working on, exit all applications and turn off the notebook.
- Accessing data on the hard disk consumes a lot of power. Therefore when the battery is weak, connect an AC adapter to the notebook before accessing data on the hard disk.
- If a battery is weak and there is no system activity, the notebook may go into standby (i.e. suspend) mode. However, if there is system activity, the notebook will go into standby mode only after the system activity has completed its processing.
- The notebook will go into standby mode when the indicator reaches 3%. This is the default setting of the notebook.

POWER SOURCES

Connecting the Power Adapter

The AC adapter provides power for operating your notebook and charging the batteries.

Connecting the AC Adapter

1. Plug the DC output cable into the DC power jack on your notebook.
2. Plug the AC adapter into an AC electrical outlet.



POINT

The Li-ion battery is not charged at the point of purchase. Remember to connect an AC adapter to your notebook to charge it when you use it for the first time.

Power On

Power/Suspend/Resume button

You can use the Power/Suspend/Resume button to turn on your notebook. Once you have connected an AC adapter to the notebook or charged the internal Lithium ion battery, you can power on your notebook.



POINT

When you turn on your notebook, be sure you have a power source connected to it. This means that at least one battery is installed and charged or that the AC adapter is connected and has power.

You can press the Power/Suspend/Resume button to turn off the notebook. After you have finished working on the notebook, you can either leave it in Standby (i.e. suspend) mode or turn it off.



CAUTION

Do not carry the notebook around when it is still power on. Do not subject the notebook to shocks and vibrations. Failure to do so may damage the notebook.

When you power on your notebook, it will perform a Power On Self Test (POST) to check the internal parts and configuration for normal functionality. If an error is found, your notebook will emit an audio warning and/or show an error message. After satisfactory completion of the Power On Self Test (POST), your notebook will load your operating system.

Power Off

Before turning off the power, check that the Hard Disk Access, Optical Disk Drive Access and PC Card Slot Access indicators are off. If you power off the notebook when it is accessing the disk or PC Card, data may be lost or corrupted. To power off the notebook, always shut down the notebook properly using the Windows shutdown procedure.



CAUTION

Remember to close all files, exit all applications and shut down the operating system prior to turning off the power using the power button. If documents are opened when the notebook is turned off, data may be lost and this may result in disk errors.

Remember to use the correct procedure to shut down the notebook. The proper procedure is:

1. Click the Start button and then click Shut Down or turn Off notebook.
2. Select the Shut Down option from within the Shut Down Windows dialog box.
3. Click OK to shut down your notebook.

CHANGING THE INTERNAL BATTERY PACK

! WARNING

- Before changing the internal battery pack, turn off the notebook and disconnect the AC adapter from it. To avoid shock hazards and damage to your notebook, be careful not to touch internal components of the notebook, including the battery connector.

■ Changing the internal battery pack

1. Turn off the notebook and disconnect the AC adapter from it.
2. Close the LCD panel and place your notebook upside down.

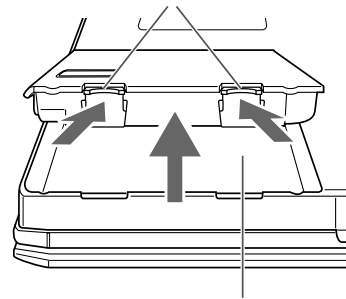
👉 IMPORTANT

- Close the LCD panel gently. Do not exert excessive pressure to it. Failure to do so may damage the LCD panel.

3. Remove the battery pack.

While pressing the latches that lock the battery, push the battery outwards in the direction of the arrow as shown.

Battery Release Latches

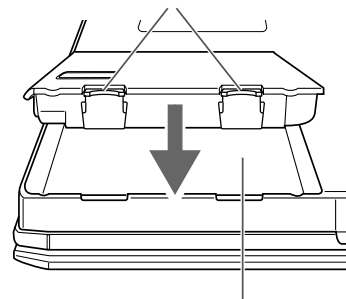


Battery Compartment

4. Install a new battery pack.

Press the latches on the battery pack and align it to fit into the battery compartment of the notebook. When the battery falls in place, push the battery inwards as shown and release the latches.

Battery Release Latches



Battery Compartment

👉 IMPORTANT

- After removing the internal battery pack, please take necessary precautions to prevent it from being shorted. For example, you can seal the connector ends with insulating tape. After removing the battery pack, do not mix it with other types of battery.
The internal battery pack contains recycle material.

ADDING MEMORY MODULE

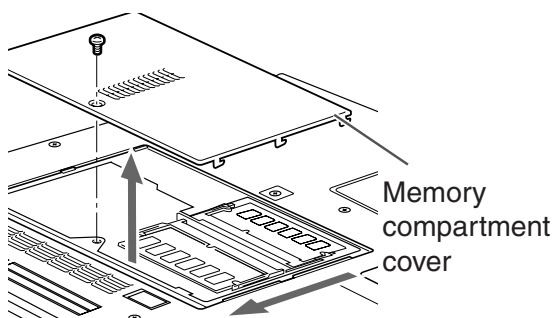
Where to install memory module

Your notebook has an expansion RAM module slot (slot 2) to add in one additional memory module.

The memory capacity of the notebook can be increased to a maximum of 2 GB (1024 MB x 2).

Preparing necessary items

- **Philips screwdriver**
Use a screwdriver of appropriate size to remove the screws on the cover. Failure to do so may damage the head of the screws.



POINT

- Memory Module Configuration Table. The table below shows combinations of memory that can be installed on your notebook.

The installation of any combination of memory other than the combinations shown below can impair the functioning of your notebook.

Total capacity	Slot 1	Slot 2
256 MB	256 MB	
512 MB	256 MB	256 MB
768 MB	256 MB	512 MB
1 GB	512 MB	512 MB
2 GB	1024 MB	1024 MB

This LifeBook is capable of operating in dual channel memory mode. To realize the full performance benefits of dual channel operations, we recommend you upgrade memory module using Fujitsu memory module such that the two memory modules in the memory slots are of the same capacity and specification.

Installing memory module

To install memory, perform these steps.

WARNING

- Before installing any memory module, remember to power off the notebook and disconnect the AC adapter from it.
- Keep small objects, such as a cover, caps and screws, out of the reach of babies and children. These small objects may suffocate a baby or child if they are swallowed accidentally. Should such an accident happen, consult a doctor immediately.

CAUTION

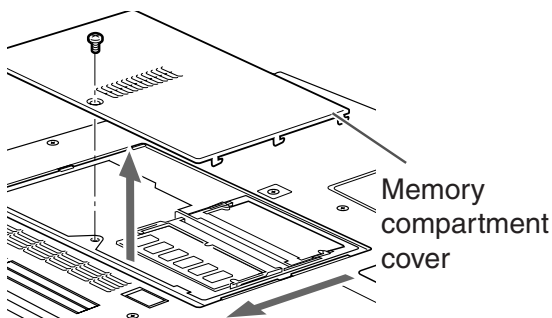
- Certain components around the memory slots are very hot when the notebook is powered on for a long period of time.
To avoid possible burns, do not install or remove memory module immediately after turning off the notebook but wait for a while until its internal components cool down.

CAUTION

- To install or remove a memory module, hold it by the edge and be careful not to touch any component and IC.
- Memory module is made of materials sensitive to human body static charges. Before handling a memory module, always touch an appropriate metal object to discharge static charges from your body.
- Please remember to turn off the notebook before you begin to install or remove a memory module. If the notebook is placed in standby or hibernate mode while the memory is removed, data may be lost or corrupted. This may also damage the memory module.

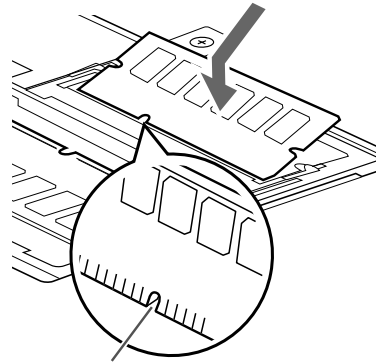
1. Turn off the notebook and disconnect the AC adapter from it.
2. Close the LCD panel and place the notebook upside down.
3. Remove the two screws securing the memory compartment slot cover and remove it.

Remove the battery compartment cover at the bottom of the notebook.



4. Install the memory module

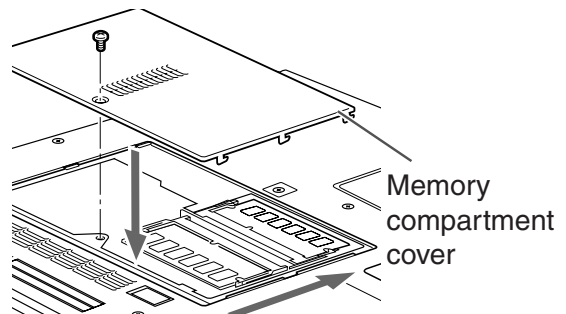
Insert the memory module into the slot with the notch in the memory module aligned with the projection on the connector, and push the memory module down until it locks in place with a click sound.



Notch in the memory module

5. Attach the memory compartment cover and secure it with screws.

Attach the cover removed in step 3.



Checking the memory capacity



IMPORTANT

- If the memory is not installed correctly, an error message "Expansion memory error" may be displayed when you turn on the notebook. If such a message appears, turn off the notebook, remove the memory module and reinstall it.

1. **Turn on the notebook.**
2. **Click the Start button and select Control Panel.**
The Control Panel window appears.
3. **Click Performance and Maintenance, and then System.**
The System Properties dialog box appears.
4. **Check whether the numeric value has increased by the size of the memory you have added.**
The notebook specifications may vary between countries, please check with your local distributor for actual configuration.
5. **Click OK.**



POINT

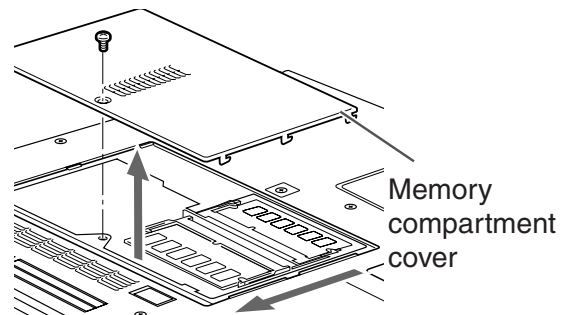
- If the numeric value displayed does not agree with the memory capacity of your notebook, check the newly installed memory module.

Changing memory module

The memory module installed on your notebook can be replaced with a larger size of memory.

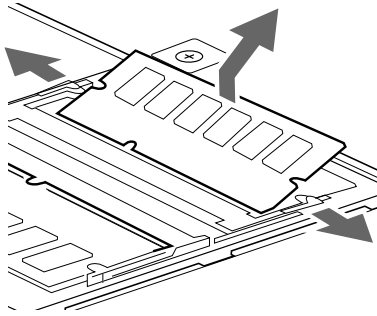
1. **Turn off the notebook and disconnect the AC adapter from it.**
2. **Close the LCD panel and place the notebook upside down.**
3. **Remove the two screws securing the memory compartment cover and remove it.**

Remove memory compartment cover at the bottom of the notebook.

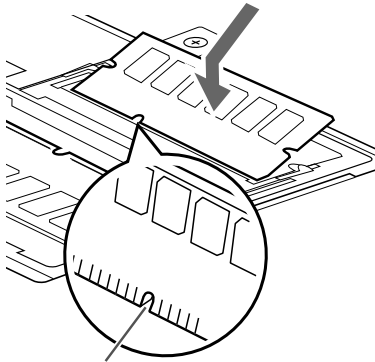


4. Remove the memory module.

Displace the hook on each side from the memory module. The memory module comes up slightly. Pull the memory module diagonally up to detach it from the slot.

**5. Install a new memory module.**

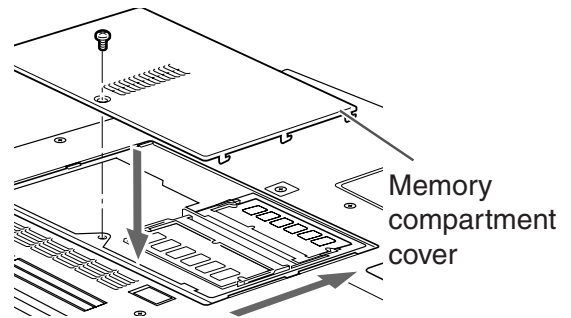
Insert the memory module diagonally into the slot with the notch in the memory module aligned with the projection on the connector. Push memory module down until it clicks into place.



Notch in the memory module

6. Attach the memory compartment cover.

Attach the cover removed in step 3.

**POINT**

- After you have installed or remove a memory module, check the memory capacity of you notebook to verify that the memory module is installed properly.

TROUBLESHOOTING

Your Fujitsu LifeBook notebook is sturdy and undergoes stringent reliability tests. However, you may encounter simple setup or operating problems that you can solve on the spot or problems with peripheral devices, that you can solve by replacing the device. The information in this section helps you isolate and resolve some of these straightforward problems and identify failures that require service.

Identifying the Problem

If you encounter a problem, go through the following procedure before pursuing complex troubleshooting:

1. Turn off your LifeBook notebook.
2. Make sure the AC adapter is plugged into your notebook and to an active AC power source.
3. Make sure that any card installed in the PC Card slot is seated properly. You can also remove the card from the slot, thus eliminating it as a possible cause of failure.
4. Make sure that any devices connected to the external connectors are plugged in properly. You can also disconnect such devices, thus eliminating them as possible causes of failure.
5. Turn on your notebook. Make sure it has been off at least 10 seconds before you turn it back on.
6. Go through the boot sequence.
7. If the problem has not been resolved, refer to the Troubleshooting Table that follows for more detailed troubleshooting information.



POINT

If you keep notes about what you have tried, your support representative may be able to help you more quickly by giving additional suggestions over the phone.

8. If you have tried the solutions suggested in the Troubleshooting Table without success, contact your support representative.

Before you place the call, you should have the following information ready so that the customer support representative can provide you with the fastest possible solution:

- Product name
- Product configuration number
- Product serial number
- Purchase date
- Conditions under which the problem occurred
- Any error messages that have occurred
- Hardware configuration
- Type of device connected, if any

See the Configuration Label on the bottom of your notebook for configuration and serial numbers.

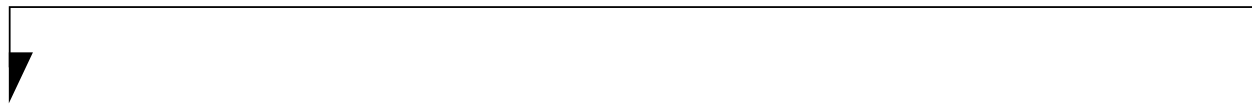
Specific Problems

Using the Troubleshooting Table

When you have problems with your LifeBook notebook, try to find the symptoms under the Problem column of the troubleshooting table. You will find a description of common causes for that symptom under the column Possible Cause. Follow the instructions on the Possible Solution column to resolve the problem. All possible causes or solutions may not apply to your notebook.

Troubleshooting Table

Problem	Possible Cause	Possible Solution
Audio Problem		
There is no sound coming from the built-in speakers.	The software volume control is set too low.	Adjust the sound volume control settings in your software, operating system and applications.
	Headphones are plugged into your notebook.	Plugging in headphones disables the built-in speakers, remove the headphones.
	BIOS audio settings are incorrect.	Set the BIOS setup utility to the default values within the Multimedia Device Configuration menu.
	Software driver is not configured correctly.	Refer to your application and operating system documentation for help.
	The speakers have been muted using the Volume icon in the system tray.	Click on the Volume icon in the tool tray on the bottom right of the screen. (It looks like a speaker). If the Mute box is checked, click on it to uncheck it.
DVD/CD-RW/CD-ROM Drive Problems		
LifeBook notebook fails to recognize DVD/CD-RW/ CD-ROM's.	Protective sheet is still in the DVD/CD-RW/CD-ROM drive tray.	Remove the protective sheet from the DVD/CD-RW/CDROM drive tray.
	DVD/CD-RW/CD-ROM is not pushed down onto raised center circle of the drive.	Open DVD/CD-RW/CD-ROM tray and re-install DVD/CD-RW/CD-ROM properly.
	DVD/CD-RW/CD-ROM tray is not latched shut.	Push on the front of the DVD/CD-RW/CD-ROM tray until it latches.
	Incorrect DVD Player or no DVD Player software is installed.	Install DVD Player software.



Problem	Possible Cause	Possible Solution
DVD/CD-RW/CD-ROM Drive Problems		
LifeBook notebook fails to recognize DVD/CD-RW/ CD-ROM's. (continued)	Wrong drive designator was used for DVD/CD-RW/CD-ROM in the application.	Verify the drive designator used by the application is the same as the one used by the operating system. When the operating system is booted from a DVD/ CD, drive designations are automatically adjusted.
	Windows DVD/CD-RW/ CD-ROM auto insertion function is disabled.	Start the DVD/CD-RW/CD-ROM from the desktop or application software or re-enable the Windows DVD/CD-RW/CD-ROM auto insertion function.
	DVD/CD-RW/CD-ROM is dirty or defective.	Wipe DVD/CD-RW/CD-ROM with a non-abrasive CD cleaning cloth and reinsert. If it still does not work, replace a new DVD/CD-RW/CD-ROM in the drive.
The DVD/CD-RW/ CD-ROM Access indicator on the Status Indicator Panel blinks at regular intervals when no DVD/CD-RW/CD-ROM is in the tray or the optical drive is not installed.	The Windows DVD/CD-RW/CD-ROM auto insertion function is active and is checking to see if a DVD/CD-RW/CD-ROM is ready to run.	This is normal. However, you may disable this feature.
Port Replicator Problems		
Note: Be sure to power down your LifeBook notebook before adding a printer to the Port Replicator parallel port.		
LifeBook notebook does not turn on when installed in the optional Port Replicator	Port Replicator AC adapter is not plugged in.	Provide power to the Port Replicator.
	Notebook is not properly seated in the Port Replicator.	Remove and re-dock your LifeBook notebook.

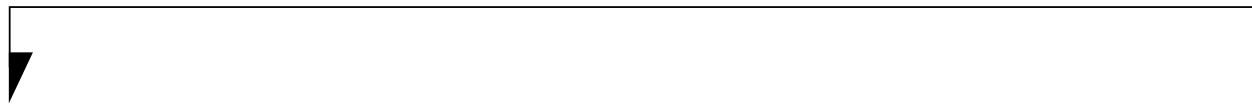
Problem	Possible Cause	Possible Solution
Floppy Disk Drive Problems		
You cannot access your floppy disk.	You tried to write to a write protected floppy disk.	Eject the floppy disk and set it to write enable.
	Floppy disk is not loaded correctly.	Eject floppy disk, check orientation and re-insert.
	The floppy disk drive may not be properly installed.	Remove and re-install your floppy disk drive.
	Security is set to protect access to floppy disk data.	Verify your password and security settings.
Hard Drive Problems		
You cannot access your hard drive.	The setup utility is incorrectly set for your internal (Primary Master) or optional second hard drive (Primary Slave).	Revise BIOS settings to set both Primary Master and Primary Slave correctly.
	The wrong drive designator was used by an application when a bootable CD-ROM was used to start the notebook.	Verify drive designator used by application is in use by the operating system. When the operating system is booted from a CD, drive designations are automatically adjusted.
	Security is set so your operating system cannot be started without a password.	Verify your password and security settings.
Keyboard or Mouse Problems		
The built-in keyboard does not seem to work.	The notebook has gone into Suspend mode.	Push the Power/Suspend/Resume button.
	Your application has locked out your keyboard.	Try to use your integrated pointing device to restart your system.

Problem	Possible Cause	Possible Solution
Keyboard or Mouse Problems		
You have installed an external keyboard or mouse, and it does not seem to work.	Your external device is not properly installed.	Re-install your device.
	Your operating system software is not setup with the correct software driver for that device.	Check your device and operating system documentation and activate the proper driver.
	Your mouse or keyboard is connected to the wrong PS/2 port on the optional Port Replicator.	Plug the mouse into the PS/2 Mouse port and the external keyboard or numeric key pad into the PS/2 Keyboard port.
You have connected an external keyboard or a mouse and it seems to be locking up the system.	Your operating system software is not setup with the correct software driver for that device.	Check your device and operating system documentation and activate the proper driver.
	Your system has crashed.	Try to restart your notebook.
Memory Problems		
Your Power On screen, or Main menu of the BIOS setup utility information, does not show the correct amount of installed memory.	Your memory upgrade module is not properly installed.	Remove and re-install your memory upgrade module.
	You have a memory failure.	Check for Power On Self Test (POST) messages.
Modem Problems		
Messages about modem operation.	Messages about modem operation are generated by whichever modem application is in use.	See your application software documentation for additional information.

Problem	Possible Cause	Possible Solution
Parallel, Serial, and USB Device Problems		
<p>You have installed a parallel port device, a serial port device or a USB device. Your LifeBook notebook does not recognize the device or the device does not seem to work properly.</p>	<p>The device is not properly installed.</p>	<p>Remove and re-install the device.</p>
	<p>The device may have been installed while an application was running, so your notebook is not aware of its installation.</p>	<p>Close the application and restart your notebook.</p>
	<p>Your device may not have the correct software driver active.</p>	<p>See your software documentation and activate the correct driver.</p>
	<p>You may have the wrong I/O address selected for your device.</p>	<p>See your device documentation and software documentation to determine the required I/O address. Change the settings in the BIOS setup utility.</p>
	<p>Your device and another device are assigned the same I/O address.</p>	<p>Check all I/O addresses located within the BIOS setup utility and any other installed hardware or software to make sure there are no duplications.</p>
	<p>Parallel port is set to output only.</p>	<p>Check parallel port setting in the BIOS and set to bi-directional or ECP.</p>

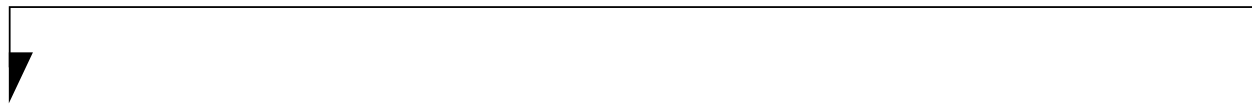
Problem	Possible Cause	Possible Solution
PC Card Problems		
A card inserted in the PC Card slot does not work or is locking up the system.	The card is not properly installed.	Remove and re-install the card.
	The card may have been installed while an application was running, so your notebook is not aware of its installation.	Close the application and restart your notebook.
	Your software may not have the correct software driver active.	See your software documentation and activate the correct driver.
	You may have the wrong I/O address selected for the activated PC Card.	See your PC Card documentation to determine the required I/O address. Change the settings in the BIOS.
	Your PC Card device and another device are assigned the same I/O address.	Check all I/O addresses located within the BIOS setup utility and any other installed hardware or software to make sure there are no duplications.
Power Failures		
You turn on your LifeBook notebook and nothing seems to happen.	The installed primary battery is completely discharged, there is no optional second battery installed or there is no Power adapter (AC adapter) installed.	Check the Status Indicator Panel to determine the presence and condition of the batteries. Install a charged battery or a Power adapter.
	The primary battery is installed but is faulty.	Use the Status Indicator panel to verify the presence and condition of the batteries. If a battery is indicating a short, remove that battery and operate from another power source or replace that battery.
	The battery or batteries are low.	Check the Status Indicator Panel to determine the presence and condition of the batteries. Use a Power adapter to operate until a battery is charged or install a charged battery.
	The power adapter (AC adapter) is not plugged in properly.	Verify that your adapter is connected correctly.

Problem	Possible Cause	Possible Solution
Power Failures		
You turn on your LifeBook notebook and nothing seems to happen. (continued)	The power adapter (AC adapter) has no power from the AC outlet.	Move the AC cord to a different outlet, check for a line switch or tripped circuit breaker for the AC outlet.
	The power adapter (AC adapter) is faulty.	Try a different power adapter or install a charged optional second battery.
Your LifeBook notebook turns off all by itself.	The power management parameters are set for auto timeouts which are too short for your operating needs.	Press any button on the keyboard, or move the mouse to restore operation. If that fails, push the Power/Suspend/Resume button. Check your power management settings, or close your applications and go to the Power Options menu to adjust the timeout values to better suit your needs.
	You are operating on battery power only and have ignored a low battery alarm until the batteries are all power drained empty and your machine has gone into Dead Battery Suspend mode.	Install a power adapter or a charged battery and then push the Power/Suspend/Resume button.
	You have a battery failure.	Verify the condition of the batteries using the Status Indicator Panel, and replace or remove battery that is shorted.
	Your power adapter has failed or lost its power source.	Make sure the adapter is plugged in and the outlet has power.



Problem	Possible Cause	Possible Solution
Power Failures		
Your LifeBook notebook will not work on battery alone.	The installed batteries are dead.	Replace the battery with a charged one or install a Power adapter.
	No batteries are installed.	Install a charged battery.
	The batteries are improperly installed.	Verify that the batteries are properly connected by re-installing them.
	Your installed batteries are faulty.	Verify the condition of the batteries using the Status Indicator panel and replace or remove any batteries that are shorted.
The batteries seem to discharge too quickly.	You are running an application that uses a great deal of power due to frequent hard drive access or DVD/CD-ROM access, use of a modem card or a LAN PC card.	Use both the primary battery and an optional second battery and/or use a power adapter for this application when at all possible.
	The power savings features may be disabled.	Check the power management and/or setup utility settings in the Power Savings menu and adjust according to your operating needs.
	The brightness is turned all the way up.	Turn down the brightness adjustment. The higher the brightness the more power your display uses.
	The batteries are very old.	Replace the batteries.
	The batteries have been exposed to high temperatures.	Replace the batteries.
	The batteries are too hot or too cold.	Restore the notebook to normal operating temperature. The Charging icon on the Status Indicator panel will flash when the battery is outside its operating range.

Problem	Possible Cause	Possible Solution
Shutdown and Startup Problems		
The Suspend/Resume button does not work.	The Suspend/Resume button is disabled from the Advanced submenu of the Power menu of the setup utility.	Enable the button from the setup utility.
	You did not hold the button in long enough.	Hold the button longer. This may need to be a few seconds if your application is preventing the CPU from checking for button pushes.
	There may be a conflict with the application software.	Close all applications and try the button again.
The system powers up, and displays power on information, but fails to load the operating system.	The boot sequence settings of the setup utility are not compatible with your configuration.	Set the operating source by pressing the [ESC] key while the Fujitsu logo is on screen or use the [F2] key and enter the setup utility and adjust the source settings from the Boot menu.
	You have a secured system requiring a password to load your operating system.	Make sure you have the right password. Enter the setup utility and verify the Security settings and modify them as accordingly.
	Internal hard drive was not detected.	Use the BIOS setup utility or Primary Master submenu, located within the Main menu, to try to auto detect the internal hard drive.
An error message is displayed on the screen during the notebook (boot) sequence.	Power On Self Test (POST) has detected a problem.	See the Power On Self Test (POST) messages to determine the meaning and severity of the problem. Not all messages are errors; some are simply status indicators.



Problem	Possible Cause	Possible Solution
Shutdown and Startup Problems		
Your notebook appears to change setup parameters when you start it.	BIOS setup changes were not saved when you made them and exited the BIOS setup utility returning it to previous settings.	Make sure you select Save Changes And Exit when exiting the BIOS setup utility.
	The BIOS CMOS hold-up battery has failed.	Contact your support representative for repairs. This is not a user serviceable part but has a normal life of 3 to 5 years.
Your system display won't turn on when the system is turned on or when the system has resumed.	The system may be password-protected.	Check the status indicator panel to verify that the Security icon is blinking. If it is blinking, enter your password.
Video Problems		
The built-in display is blank when you turn on your LifeBook notebook.	Something is pushing on the Closed Cover switch.	Clear the Closed Cover switch.

Problem	Possible Cause	Possible Solution
Video Problems		
<p>The built-in display is blank when you turn on your LifeBook notebook.</p> <p>(continued)</p>	<p>The notebook is set for an external monitor only.</p>	<p>Pressing [F10] while holding down the [Fn] key allows you to change your selection of where to send your display video. Each time you press the combination of keys you will step to the next choice. The choices, in order are: built-in display only, external monitor only, both built-in display and external monitor.</p>
	<p>The angle of the display and the brightness settings are not adequate for your lighting conditions.</p>	<p>Move the display and the brightness control until you have adequate visibility.</p>
	<p>The power management time-outs may be set for very short intervals and you failed to notice the display come on and go off again.</p>	<p>Press any button the keyboard, or move the mouse to restore operation. If that fails, push the Power/Suspend/Resume button. (The display may be shut off by Standby mode, Auto Suspend or Video Timeout)</p>
<p>The LifeBook notebook turned on with a series of beeps and your built-in display is blank.</p>	<p>Power On Self Test (POST) has detected a failure which does not allow the display to operate.</p>	<p>Contact your support representative.</p>
<p>The display goes blank by itself after you have been using it.</p>	<p>The notebook has gone into Video Timeout, Standby mode, Suspend mode or Save-to-Disk mode because you have not used it for a period of time.</p>	<p>Press any button on the keyboard, or move the mouse to restore operation. If that fails, push the Power/Suspend/Resume button. Check your power management settings, or close your applications and go to the Power Savings menu of the setup utility to adjust the timeout values to better suit your operation needs.</p>
	<p>The power management time-outs may be set for very short intervals and you failed to notice the display come on and go off again.</p>	<p>Press any button on the keyboard, or move the mouse to restore operation. If that fails, push the Power/Suspend/Resume button. (The display may be shut off by Standby Mode, Auto Suspend or Video Timeout)</p>
	<p>Something is pushing on the Closed Cover switch.</p>	<p>Check the Closed Cover switch.</p>

Problem	Possible Cause	Possible Solution
Video Problems		
The application display uses only a portion of your screen and is surrounded by a dark frame.	You are running an application that does not support 800 x 600/1024 x 768 pixel resolution display and display compression is enabled.	Display compression gives a clearer but smaller display for applications that do not support 800 x 600/1024 x 768 pixel resolution. You can fill the screen but have less resolution by changing your display compression setting, (See the Video Features submenu, located within the Advanced menu of the BIOS.)
The Display is dark when on battery power.	The Power Management utility default is set on low brightness to conserve power.	Press [Fn] + [F7] to increase brightness or double-click on the battery gauge and adjust Power Control under battery settings.
You have connected an external monitor and it does not display any information.	Your BIOS setup is not set to enable your external monitor.	Try toggling the video destination by pressing [Fn] and [F10] together, or check your BIOS setup and enable your external monitor. (See the Video Features submenu, located within the Advanced Menu of the BIOS.)
	Your external monitor is not properly installed.	Reinstall your device.
	Your operating system software is not setup with the correct software driver for that device.	Check your device and operating system documentation and activate the proper driver.
You have connected an external monitor and it does not come on.	Your external monitor is not compatible with your LifeBook notebook.	See your monitor documentation and the External Monitor Support portions of the Specifications section.
Miscellaneous Problems		
An error message is displayed on the screen during the operation of an application.	Application software often has its own set of error message displays.	See your application manual and help display screens for more information. Not all messages are errors. Some may simply be status messages.

版权

富士通有限公司会尽力保证本文档内容的准确性和完整性。但是，由于我们仍在不断改进产品的功能，因此不能确保本文档没有任何差错。对于文档中错误、疏忽或以后的修改我们不承担任何责任。

LifeBook 是富士通有限公司的商标。

Microsoft、Windows、MS、MS-DOS 和 Windows NT 是美国 Microsoft Corporation 在美国和其它国家或地区的注册商标。

Phoenix 是美国 Phoenix Technologies Corporation 的注册商标。

ExpressCard™ 模块技术是 Personal Computer Memory Card International Association 的注册商标。
ExpressCard ID：EC100034

版权所有©1981-1999 Microsoft Corporation，保留所有权利。

版权所有©1999 Phoenix Technologies, Ltd.，保留所有权利。

其它所有产品是其各自公司的商标或注册商标。

© 版权所有 2005 Fujitsu Limited，保留所有权利。未经富士通有限公司事先书面同意，严禁拷贝、复制或翻译本出版物中的任何内容。未经富士通有限公司书面同意，严禁以任何电子形式存储或传输本出版物中的任何内容。

本设备遵循 FCC 规则的第 15 部分。设备操作必须符合下列两项条件：

- (1) 本设备不能造成有害干扰。
- (2) 本设备必须能承受接收到的干扰，包括会造成意外操作的干扰。

网站： www.pc-ap.fujitsu.com

* 此说明书仅适用于 C1320/C1321。



一致性声明
根据 FCC 第 15 部分内容

重要安全说明

1. 请仔细阅读这些说明，并保存起来以备以后参考。
2. 遵循本产品上标示的所有警告和指示。
3. 清洁之前先从墙上插座拔下本产品的电源线。切勿使用液体或喷雾清洁剂。使用湿布进行清洁。
4. 不要在靠近水的地方使用本产品。
5. 不要将本产品放在不稳定的车辆、支架或桌子上。以免产品跌落，造成严重损坏。
6. 机壳上、背部和底部的槽口用于通风目的。为确保本产品的可靠运行，不至于出现过热高温，严禁堵塞和盖住这些槽口。严禁将本产品放在床、沙发、地毯或其它类似表面上，从而造成这些槽口的堵塞。切勿将本产品靠近散热器或电热器，或放在它们的上面，也不要将本产品放在箱内，除非通风条件良好。
7. 只能按照标签上注明的电源类型使用本产品。如果您不确定可用的电源类型，请咨询经销商或当地的电力公司。
8. 本产品配备有一个符合本地标准的插头。如果您面对问题，请和电工联系检查插座。
9. 不要将任何物品压在电源线上。本产品的电源线不应位于人们经常出入的地方。
10. 如果使用本产品需要延长电线，一定要确保接入延长电线上设备的额定安培总数不超过延长线的额定安培数。也要确保接入墙上插座上所有产品的总额定值不会超过15安培。
11. 严禁将任何物品通过机壳的槽口插入到本产品，这样可能会碰到高压部件，造成火灾或电击。切勿将任何液体洒到本产品上。
12. 不要尝试自行维修本产品，打开或卸下护盖可能会使您遭到电击，或其它危险。请务必请专业的维修人员进行维修。
13. 如果出现以下情况，应从墙上插座拔下本产品的电源线，请专业的维修人员进行维修：
 - a. 电源线或插头损坏或磨损。
 - b. 产品内溅入了液体。
 - c. 产品遭到雨淋或进水。
 - d. 正常操作情况下，产品运行不正常。只调整操作说明中介绍过的那些控制，因为不正确地调整其它控制可能会造成损坏，通常需要合格的技术人员花费更大的精力维修产品。
 - e. 产品跌落，或机壳损坏。
 - f. 产品性能出现明显变化，需要进行维修。

-
14. **注意：**更换电池时一定要确保电池装入的极性位置正确。更换的电池类型不正确或处理不当，会有爆炸的危险。切勿对电池充电、拆解或投入火中。只应使用制造商建议的相同或同类电池进行更换。并按照制造商的说明处理用过的电池。
 15. 只使用专供本装置使用的正确类型的电源线组（附件箱中提供）。它应是可分开的类型：UL 认证 / CSA 认证，BS1363、ASTA、SS145 认证，额定 10A 250V 最小，VDE 认证或等同。最大长度为 15 英尺（4.6 米）。

UL 声明

该装置需要交流适配器才能使用。并且只能使用获得 UL 认证，额定输出为 19VDC，4.22A 的 2 类适配器。请参考以下示意图以了解正确的交流适配器输出极性。



正确处理电池

在联邦、国家或地区法律中，将电池扔进垃圾箱或垃圾桶的处理方法是非法的。请保护我们的环境，并正确处理电池。关于回收或处理不想要的电池，请与当地政府权力机关协商。



注意

- 为降低火灾危险，只应使用 #26 号 AWG 或更大的通信电话线。

授权修理技术人员须知



注意

- 为防止火灾的发生，只应使用相同类型和额定值的保险丝进行更换。



警告

- 如果锂（CMOS）电池更换不当，会有爆炸的危险。只应使用相同的或制造商建议的同类电池进行更换。按照制造商的说明处理用过的电池。

在要求高安全性的场合使用时的注意事项

本产品系为一般应用领域设计和制造，包括一般办公使用、个人使用、家庭使用和普通行业使用。

本产品不适合也不建议用于危险（致命）情况下，除非具有极高的安全保障。

请勿在没有采取高度安全措施的情况下使用本产品。

如果在以下任一种或任几种环境中或附近使用本产品，请遵守本警告，否则可能导致死亡、人身伤害、严重物理损坏或其他损失：

- 核能设施中的核反应控制系统
- 飞机或其他飞行控制系统中的自动飞行控制系统
- 大型运输控制系统
- 用于生命维持系统的医疗仪器
- 用于武器系统的导弹发射控制

备份数据的注意事项

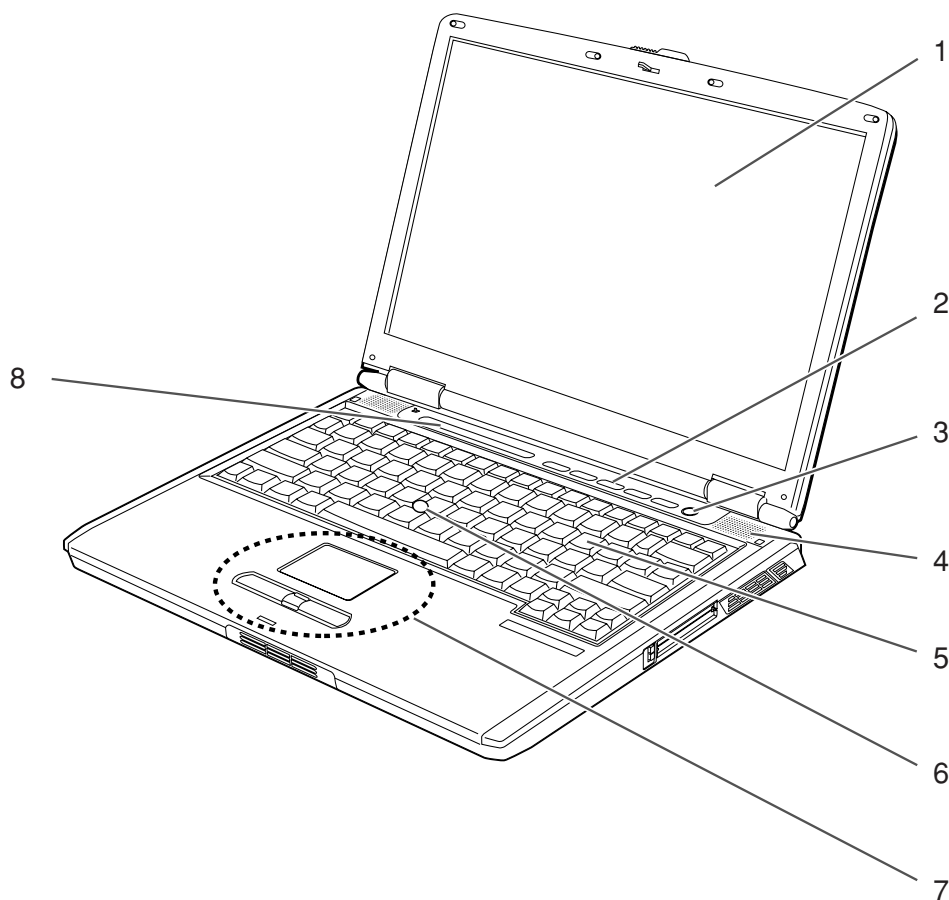
请将操作系统、所有软件程序以及生成的文件进行备份（并定期更新）。

如果您将本产品送往富士通或任何其附属机构、供应商、服务提供商或零售商进行维修，富士通等对数据的完整性不作保证。事先对数据进行备份是您的责任。

如果您的数据由于任何原因而丢失，除非质保卡上写出，否则富士通对于损坏、数据完整性或恢复等不承担任何赔偿义务。

目录

部件名称及其功能	1	电源	15
笔记本电脑的正面	1	连接电源适配器	15
外观：侧面	3	开机	16
外观：电脑的顶部和底部	6	关机	16
外观：电脑的背面	7	更换内部电池组	17
端口替代物	8	增加内存	18
操作状态指示灯 LCD	10	何处安装内存	18
电源指示灯	10	准备工作	18
交流适配器指示灯	10	安装内存模块	18
电池电量指示灯	10	检查内存容量	20
电池充电指示灯	10	更换内存模块	20
无线局域网指示灯	10	疑难解答	22
光盘驱动器存取指示灯	10	识别问题	22
磁盘驱动器存取指示灯	10	具体问题	22
PC 卡插槽存取指示灯	11	疑难解答表	23
Num Lock 指示灯	11	注：	
Caps Lock 键	11	LifeBook 用户说明书位于微软 Windows 桌面和软件	
Scroll Lock 指示灯	11	驱动程序光盘上。您可以使用此 LifeBook 用户说明书	
靠电池运行电脑	12	找到您的笔记本电脑的各种功能和特点的更详细	
给电池充电	12	信息。	
靠电池运行电脑	13		
检查电池的电量	13		
电池电量不足状态	14		



(本图片仅用作插图，可能与实际装置有差异。)

部件名称及其功能

笔记本电脑的正面

1. LCD 面板

笔记本电脑的显示屏。



要点

- 以下现象是 LCD 面板的特性，而并不表示 LCD 面板有故障。
 - 您的笔记本电脑 TFT 彩色 LCD 屏幕是由超过 2,350,000 个影像元素（当屏幕分辨率设定为 1024 x 768 像素时的点数）组成，是采用先进技术制造而成。由于技术上的原因，您的 LCD 屏幕上可能有不亮的像素，也可能有始终发亮的像素。
 - LCD 屏幕的显示可能存在轻微的颜色差异和浓度不均匀。

2. LifeBook 媒体播放 / 应用程序面板*

LifeBook 媒体播放面板提供光驱槽中媒体的音频和视频播放功能。应用程序面板提供单触式应用程序启动功能。

3. 电源和暂停 / 恢复按钮

此按钮用于开启和关闭笔记本电脑。您也可以使用此按钮暂时停止笔记本电脑的活动，而不关闭电源，并能从暂停模式恢复运行。

4. 扬声器

内置双喇叭可提供立体声音效。

5. 键盘

84 键键盘，带有专用 Windows 键、上页 (PgUp) 键及下页 (PgDn) 键。

6. 快速指点*

此项选购功能提供另一种移动显示指针（鼠标指针）的方法。

7. 触摸板

可以用来控制显示指针（鼠标指针）。



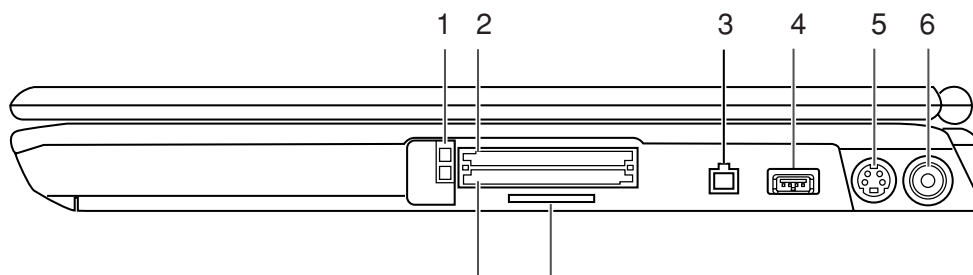
要点

- 有些应用程序可能不允许您使用卷轴按钮上下滚动浏览文件。

8. 操作状态指示灯 LCD

此指示灯是显示笔记本电脑特定部件运行状态的符号。

* 此功能仅适用于某些机型。



(本图片仅用作插图，可能与实际装置有差异。)

外观：侧面

■ 电脑的右侧

1. ExpressCard™ 和 PC 卡退出按钮

按这些按钮可以退出卡槽中所安装的 ExpressCard™ 模块和 PC 卡。

2. ExpressCard™ 插槽

可使您连接 ExpressCard™ 模块。

有两种尺寸的 ExpressCard™ 模块：一种为 34mm 宽 (ExpressCard™/34)，另一种为 54mm 宽 (ExpressCard™/54)。

此 LifeBook 笔记本电脑同时支持两种尺寸的 ExpressCard™ 附件。

注：

ExpressCard™ 一致性 ID：EC100034。

3. IEEE 1394 端口

您可以使用此端口连接具有 IEEE 1394 端口的多媒体设备，如数字摄像机。

4. USB 2.0 端口

USB 2.0 端口用于连接 USB 设备。USB 2.0 设备最高能以 480Mbps 传送数据，并能与最高以 12Mbps 传送数据的 USB 1.1 设备兼容。

5. S-Video (小型) 端子

您可以使用此端口，并使用选购件电缆连接至具有 S-Video 端口的电视机，以取得高质量视频输出。

6. 直流输入插孔

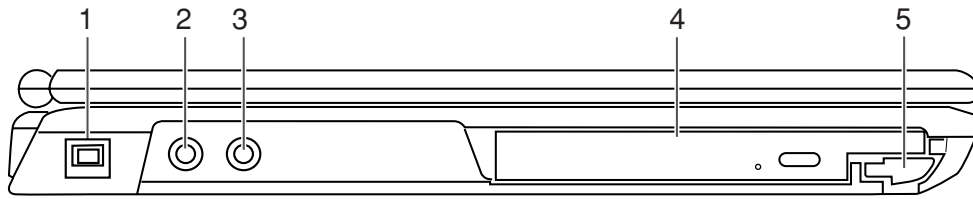
将随机提供的交流适配器插入此插孔即可对电脑供电和对电池充电。

7. 安全数码卡插槽

可让您插入选购件安全卡 (SD) 并将其作为存储设备。

8. PC 卡

可以安装一块 Type I/II PC 卡。



(本图片仅用作插图，可能与实际装置有差异。)

■ 电脑的左侧

1. 无线LAN开关/红外线端口

• 无线LAN 开关

此开关用于开启和关闭无线 LAN 天线。

注：

此开关仅适用于带有无线LAN天线的笔记本电脑。

• 红外线端口*

快速 IrDA 端口可使您的电脑与另外的 IrDA 兼容红外线设备进行无线通讯。

* 此功能仅适用于某些机型。

您的笔记本电脑配备了高清晰度音频 (HDA) 插孔。

2. HDA-Out (HDA 输出)

可以连接以下音频输出设备。

• 耳机插孔

用来连接 $\varnothing 3.5\text{mm}$ 的耳机。市面上有售不同类型接口的耳机。购买前请检查这些耳机兼容性。

• Line-out (线路输出)

可以连接外接音频设备，例如：一对立体声扬声器。

3. HDA-In (HDA 输入)

可以连接以下音频输入设备。

• 麦克风插孔

用来连接 $\varnothing 3.5\text{mm}$ 单声道或立体声麦克风。

• Line-in (线路输入)

可以连接外接音频源，例如：一个外接 CD 播放机或 MP3 播放机。

👉 重要

- 如果此 LifeBook 配有能读取 DVD 标题的光驱，则此光驱的出厂预设为读取带有为亚太市场指定的地区代码的 DVD 标题（例如，亚洲代码为 3，澳大利亚代码为 4，中国代码为 6）。
- 当首次播放带有地区代码的 DVD 标题时，而此代码与 DVD 出厂设定地区代码不同，则将会提醒您更改 DVD 光驱的地区代码。DVD 光驱的地区代码最多可更改 4 次，此后 DVD 光驱将被锁定，因此只能播放最后设定的地区代码的 DVD 标题。

📖 要点

- 切勿让设备舱内空置。否则会产生意外的系统故障。

4. 可移动多功能设备舱*

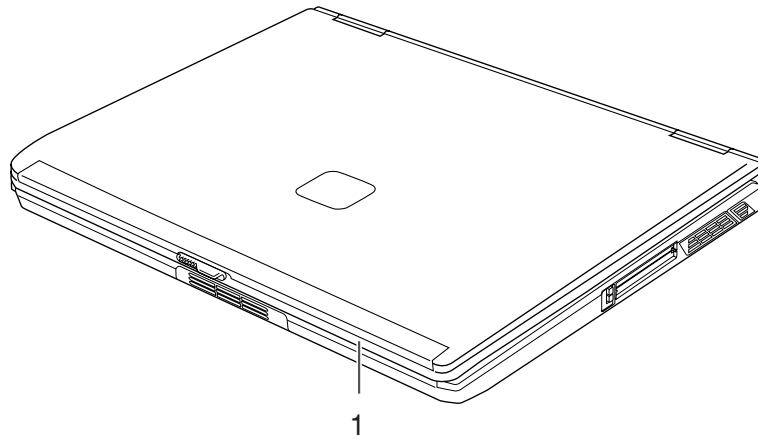
您的笔记本电脑有一个内部光盘驱动器，各国家或地区可能有差异。请与您当地的经销商确认实际配置。您可以用其它舱内选项更换已经安装的光盘驱动器。这些需要单独购买。

5. 设备舱开启开关*

使用此开关即可打开已经安装的多功能设备舱。

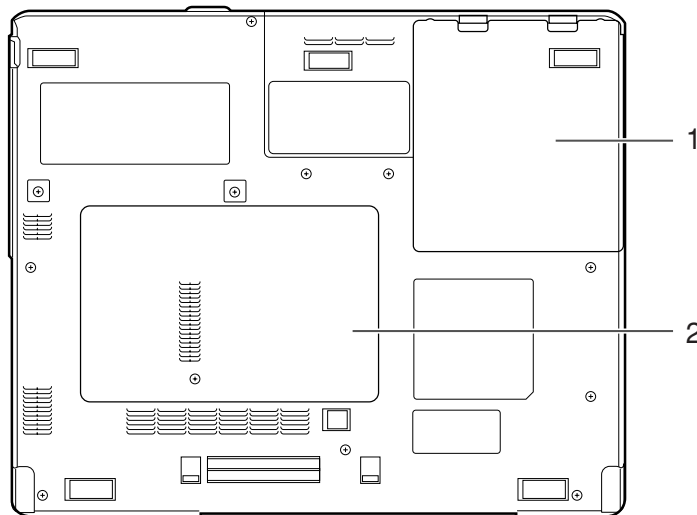
*可移动多功能设备舱与设备舱开启开关仅适用于附有热量交换设备舱的笔记本电脑。附有光盘驱动器的笔记本电脑并没有这些功能。

外观：电脑的顶部和底部



1. 内置无线 LAN

双无线 LAN 天线的位置。



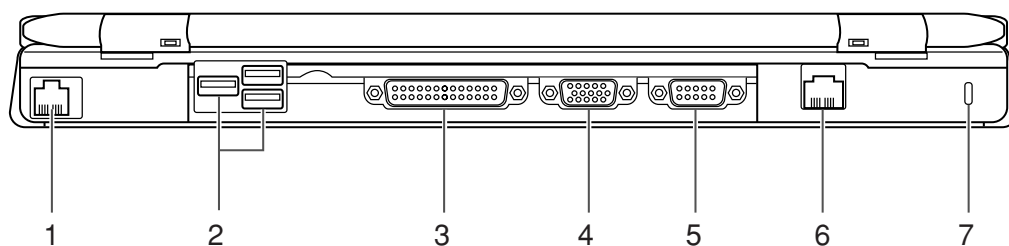
(本图片仅用作插图，可能与实际装置有差异。)

1. 内部电池组舱

内部电池组所在位置。

2. 扩展 RAM 模组插槽

扩展内存插槽的位置。



(本图片仅用作插图，可能与实际装置有差异。)

外观：电脑的背面

1. 调制解调器 (RJ-11) 端口

用于使用随机提供的 RJ-11 电缆将电脑的内部调制解调器连接到电话线路。

2. USB 2.0 端口

USB 2.0 端口用于连接 USB 设备。USB 2.0 设备最高能以 480Mbps 传送数据，并能与最高以 12Mbps 传送数据的 USB 1.1 设备兼容。

3. 并行端口

并行端口用于连接并行设备。

4. 外部 VGA 端口

外部 VGA 端口用于连接外部显示器或 CRT 监视器。

5. 串行端口

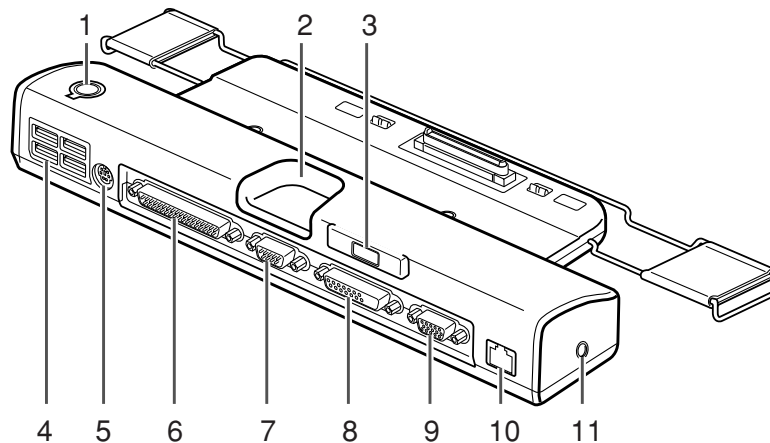
串行端口用于连接串行设备。

6. LAN (RJ-45) 端口

此端口可让您使用选购件 LAN 电缆将电脑连接到 LAN (本地网络)。此端口与 1000/100/10 Base-T 网络兼容。

7. 防盗锁槽

用于穿接选购的锁定装置。



(本图片仅用作插图，可能与实际装置有差异。)

端口替代物*

端口替代物为选购项目。在有些国家的配置中可能作为附件。请与当地销售商确认配置情况。

* 此选项仅适用于某些机型。

■ 端口替代物后面板

后面板部件

以下简单说明端口替代物后面板部件。

1. 电源和暂停 / 恢复按钮

此按钮用于开启和关闭笔记本电脑。您也可以使用此按钮暂时停止笔记本电脑的活动，而不关闭电源，并能从暂停模式恢复运行。

2. 释放手柄

您可以按此端口替代物释放手柄将端口替代物从电脑上取下。

3. 防盗锁槽

用于穿接选购的锁定装置。

4. USB 2.0 端口

USB 2.0 端口用于连接 USB 设备。USB 2.0 设备最高能以 480Mbps 传送数据，并能与最高以 12Mbps 传送数据的 USB 1.1 设备兼容。

5. PS/2 键盘/鼠标端口

PS/2 端口用于连接外部 PS/2 键盘或鼠标。

6. 并行端口

并行端口用于连接并行设备。

7. 外部 VGA 端口

外部 VGA 端口用于连接外部显示器或 CRT 监视器。

8. 数字视频接口 (DVI-D)

DVI-D 端口用于连接具备用于超清晰数字图像和图形的 DVI-D 端口的平板液晶显示器或电视机。

9. 串行端口

串行端口用于连接串行设备。

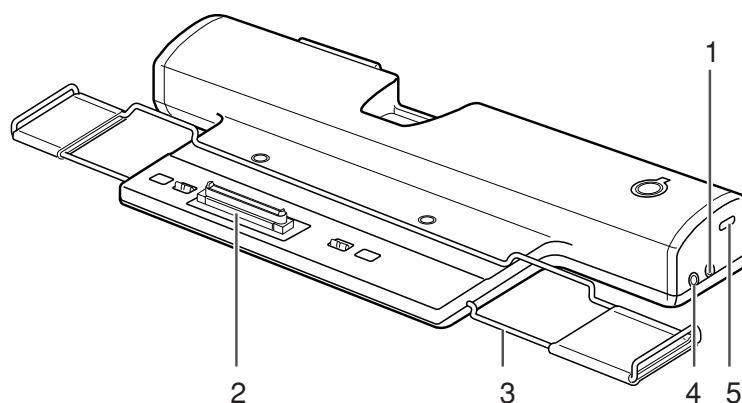
10. Lan (RJ-45) 插孔

LAN 端口用于连接 LAN (RJ-45)。请注意，当您的笔记本电脑对接在端口替代物上，则 LifeBook 上的 LAN 端口将无法存取。当 LifeBook 对接在端口替代物上时，端口替代物 LAN 端口将用于连接网络资源。

11. DC 电源插孔

DC 电源插孔用于插入交流适配器插头，对您的笔记本电脑供电。

* 此功能仅适用于某些机型。



(本图片仅用作插图，可能与实际装置有差异。)

■ 端口替代物前面板

前面板部件

以下简单说明端口替代物前面板部件。

1. 耳机插孔

耳机插孔用于连接耳机或外部扬声器。

2. 端口替代物接口

此接口将端口替代物连接至您的笔记本电脑。



重要

- 如果在 LifeBook 电源开启时安装/移除端口替代物，则与端口替代物连接的外围设备可能运行不稳定。如果发生上述情况，请先关闭 LifeBook 电源再安装/移除端口替代物。

3. 可调节导向杆

可调节导向杆可使端口替代物与各种不同的 LifeBook 机型配合使用。

注：

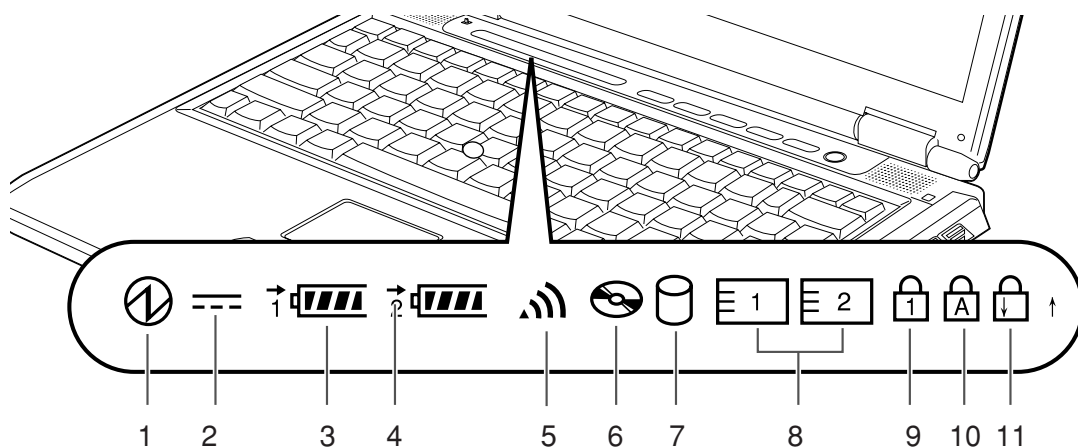
若要将 LifeBook 装到端口替代物上，则可调节导向杆必须如图所示位于上部。

4. 麦克风插孔

用于连接外部单声道麦克风。

5. 防盗锁槽

用于穿接选购的锁定装置。



(本图片仅用作插图，可能与实际装置有差异。)

操作状态指示灯 LCD

1. 电源指示灯 (Ⓢ)

当电脑通电时指示灯开启。
电脑电源关闭时指示灯熄灭。如果电脑进入暂停模式，则指示灯闪烁。

2. 交流适配器指示灯 (≡)

指示灯指示电脑电源的来源，例如是交流适配器或内部电池。当电源来自外部的交流适配器，则指示灯开启。而当电源来自内部电池，则指示灯熄灭。

3. 电池电量指示灯 (🔋, 🔋)

两个电池电量指示灯表示标准锂离子电池和选购件模块电池的现有状态。电池 1 表示标准电池，电池 2 表示选购件模块电池。另外，这两个指示灯将显示电池的剩余电量。

4. 电池充电指示灯 (➔)

当内部电池正在充电时此指示灯开启。

5. 无线局域网指示灯 (📶)

当无线局域网开关开启时，此指示灯亮起。
当无线局域网开关关闭时，此指示灯熄灭。

6. 光盘驱动器存取指示灯 (📀)

当光盘驱动器设备正在存取时此指示灯开启。

7. 磁盘驱动器存取指示灯 (📀)

当正在存取内部硬盘或可移动磁盘时指示灯开启。

要点

- 当磁盘驱动器存取指示灯开启时切勿关闭电脑电源。否则将破坏磁盘中的数据，以及所安装的操作系统。

8. PC 卡插槽存取指示灯

( )


如果应用程序试图存取 PC 卡插槽，无论插槽内是否插有 PC 卡，指示灯都将开启。

9. Num Lock 指示灯 ()

当键盘锁定在 Num Lock 模式时点亮。(当 Num Lock 模式开启时，您可以将键盘作为 10 位数数字键盘使用。)

您可以使用 [] 键转换 Num Lock 模式。

10. Caps Lock 键 ()

使用 [] 键即可转换 Caps Lock 模式。

11. Scroll Lock 指示灯 ()

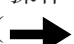
当锁定模式开启时指示灯开启。

按住 [] 键并使用 [] 键即可转换 Scroll Lock 按钮。

靠电池运行电脑



给电池充电

1. 将交流适配器连接至电脑。

当您将交流适配器连接到电脑，电脑开始对内部标准电池组充电，操作状态指示灯 LCD 上的充电状态指示灯 () 开启。

2. 当电池完全充电后指示灯熄灭时，请断开交流适配器与电脑的连接。

要点

- 在电脑购买后第一次使用随机提供的电池组之前，请记住对电池组完全充电。如果充过电的电池超过一个月未重新充电，则在使用前进行充电。
- 当电池完全充电时，充电状态指示灯熄灭，并且指示灯停止闪烁 () 而点亮 () 。

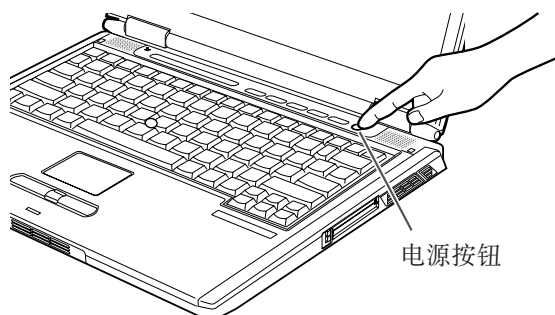
要点

- 当电池已充电 90% 或更高时，则即使还连接著交流适配器，它也不能再充电。当电池电量 (例如：剩余电池使用时间) 为 89% 或更少时，电池组才会充电。
- 在电脑电源关闭时，如果电池已经完全充电，则操作状态 LCD 上的所有指示灯都将立即熄灭。
- 在太热或太冷的地方使用，电池的充电性能将降低。
- 当电池的温度过高，例如刚在长时间使用电脑后，电池保护功能可能会启动，防止再对电池充电。当温度下降时，电脑将自动开始对电池充电。
- 当安装了选购件模块电池，则将随内部标准电池一起充电。

靠电池运行电脑

本章节讲述使用电脑内部标准电池运行的步骤。

1. 从电脑上断开交流适配器，然后按下电源按钮启动电脑。



(本图片仅用作插图，可能与实际装置有差异。)

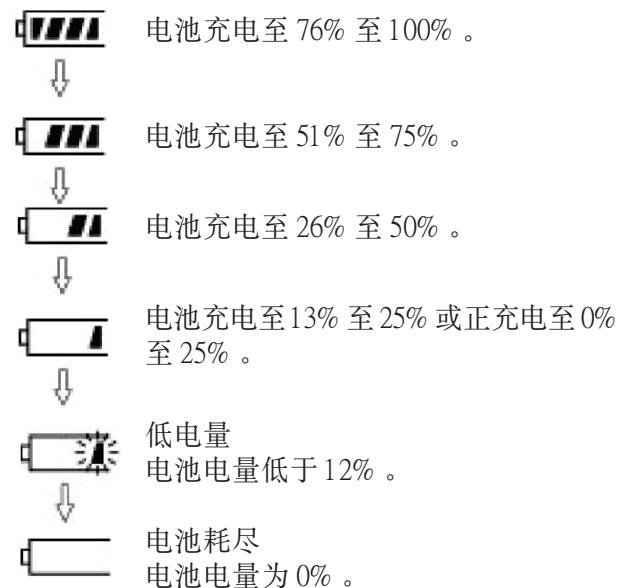
要点

- 在寒冷的地方使用，电池的电量等级将会速下降。
- 电池长时间使用后，电池的充电性能会快速下降。如果电池消耗很快，请换上新的电池。
- 当装有选购的模块电池，则将与内部标准电池一起充电。

检查电池的电量

当开启电脑或电池正在充电，电池电量指示灯即开启并闪烁，以指示电池的电量。

■ 电池的不同电量等级



要点

- 由于锂离子电池的某些特性，电池电量指示灯可能无法正确指示电池的剩余电量，特别是在温度异常的条件下。
- 当电池已充电 90% 或更高时，则即使还连接著交流适配器，它也不能再充电。当电池电量为 89% 或更少时，电池组才会重新充电。

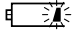
■ 电池故障警告

 表示电池无法正常充电。

要点

- 如果显示 , 请关闭电脑, 取出电池并重新正确装入。

电池电量不足状态

当电池放电到非常低的水平时, 操作状态指示灯 LCD 上的电池电量指示灯闪烁 ()。如果指示灯闪烁, 请立即将交流适配器连接到电脑给电池充电。

要点

- 使用电量不足的电池可能会造成当前正在使用的数据丢失。当电池电量不足时, 只要有外部电源, 就立即将交流适配器连接到电脑保存正在处理的数据, 退出所有应用程序, 然后关闭电脑。
- 存取硬盘上的数据需要消耗大量电能。因此, 当电池电量不足时, 应先将交流适配器连接到电脑, 然后再存取硬盘上的数据。
- 如果电池电量微弱, 且系统没有活动, 则电脑可能进入待机 (如暂停) 模式。但是, 如果有系统活动, 则只有在系统活动完成处理后电脑才进入待机模式。
- 当指示灯达到 3% 时, 电脑进入待机模式。这是本电脑的预设设定。

电源

连接电源适配器

交流适配器为操作笔记本电脑提供电源，并对电池充电。

连接交流适配器

1. 将直流输出电源线插入笔记本电脑的直流电源插孔。
2. 将交流适配器插入交流电源插座。



要点

在购买时锂离子电池未充电。在第一次使用时请记住将交流适配器连接到电脑对电池充电。

开机

电源 / 暂停 / 恢复按钮

您可以使用电源 / 暂停 / 恢复按钮开启您的电脑。一旦您连接了交流适配器或已经完成内部锂离子电池充电，您就可以开启电脑。

要点

当您打开电脑时，必须确保电脑已连接了电源。这表示至少要安装一块电池并已经充电，或者连接交流适配器且接通电源。

您可以按电源 / 暂停 / 恢复按钮关闭您的电脑。当您结束使用电脑后，您可以使电脑停留在待机（如暂停）模式或关闭电脑。

注意

切勿将电脑在电源开启情况下到处移动。且勿使电脑受到冲击或震动，否则会损坏您的电脑。

当电脑开启后，为了能正常操作，电脑将执行开机自检（POST）以检查内部部件和配置。如果发现故障，电脑将发出声音警告和 / 或显示错误信息。

当开机自检（POST）顺利完成后，电脑将开始载入操作系统。

关机

关闭电源之前，请确认硬盘、DVD、CD-ROM、CD-RW 和 PC 卡指示灯都已熄灭。如果在电脑正在存取磁盘或 PC 卡时关闭电脑，则可能丢失或损坏数据。关闭电脑时应始终采用 Windows 关机程序正确关闭电脑。

注意

在使用电源按钮关闭电源之前应牢记先关闭所有文件，结束所有应用程序，关闭操作系统。如果电脑电源关闭时正在操作文件，则数据可能丢失，并可能导致磁盘出现错误。

请记住使用正确的程序关闭电脑。正确的程序如下：

1. 单击开始按钮，然后单击关机或关闭电脑。
2. 在 Windows 关机对话框中选择关机选项。
3. 单击确定关闭电脑。

更换内部电池组

警告

- 更换内部电池组之前，应确保关闭电脑，并断开交流适配器与电脑的连接。为了避免电击危险或损坏电脑，请小心不要接触电脑的内部部件，包括电池连接端子。

■ 更换内部电池组

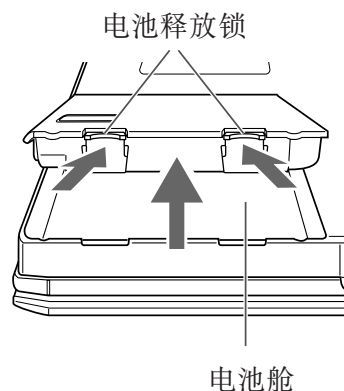
1. 关闭电脑并断开交流适配器连接。
2. 关闭LCD面板，然后将电脑颠倒放置。

重要

- 请关上LCD面板。且勿用力压。否则可能会损坏LCD面板。

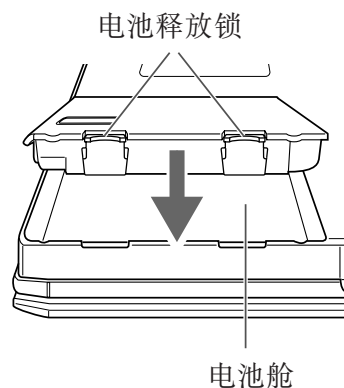
3. 取出电池组。

按住电池锁，将电池按箭头所示方向朝外推。



4. 装入新的电池组。

按住电池组锁，并对准后装入电脑电池舱。将电池放入后，如图所示向内按电池，然后松开电池锁。



重要

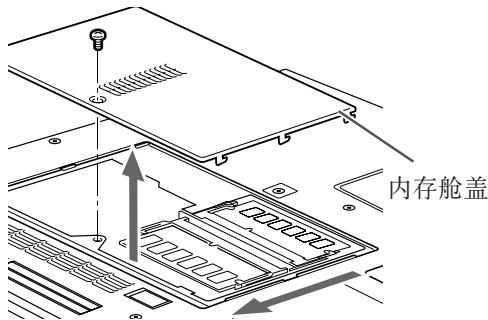
- 取出内部电池组后，请采取必要的措施防止电池短路。例如，您可以使用绝缘胶带封住电池的连接端子。取出内部电池组后，切勿将其与其它类型的电池混在一起。
内部电池组含有可回收利用材料。

增加内存 何处安装内存

您的电脑有扩充 RAM 模块槽（槽 2），用于新增内存模块。
电脑内存容量最大可以扩充到 2GB（1024 MB x 2）。

准备工作

- **十字螺丝刀**
请使用适当大小的螺丝刀卸下盖子上的螺丝。否则会损坏螺丝头。



要点

- 内存模块配置表。
下表为电脑中可以安装的内存组合。

安装除以下表中内存组合之外的其它内存组合会削弱电脑的功能。

总容量	槽 1	槽 2
256 MB	256 MB	
512 MB	256 MB	256 MB
768 MB	256 MB	512 MB
1 GB	512 MB	512 MB
2 GB	1024 MB	1024 MB

本 LifeBook 电脑具有在双通道记忆模式下运行的能力。为了能充分体现双通道运行的性能所带来的益处，建议您使用 Fujitsu 内存模块升级内存模块，使内存槽中的两块内存模块为相同容量和规格。

安装内存模块

若要安装内存，请执行以下步骤。



警告

- 安装任何内存模块之前，请记住关闭电脑，并断开交流适配器。
- 将外盖、金属罩和螺丝等小物件放在小孩和儿童无法接触到的地方。万一吞入这些小物件则可能导致窒息。一旦发生上述意外，请立即就医。



注意

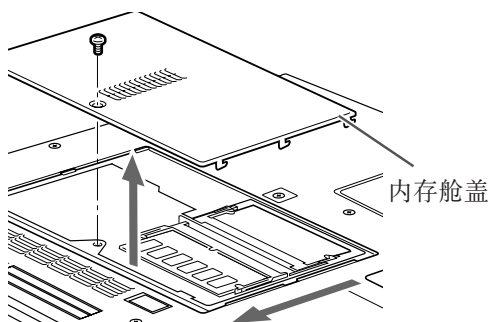
- 电脑长时间开启时内存插槽周围的一些组件温度会非常高。
为避免烫伤，请不要在关机之后立即安装或取出内存模块，而应等到内部组件冷却之后再进行操作。



注意

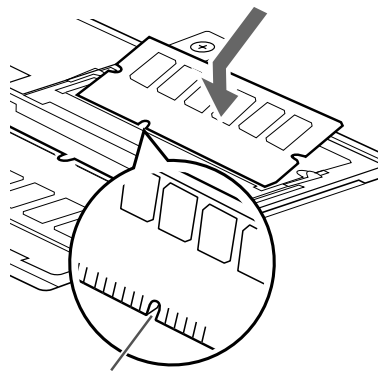
- 安装或取出内存时，必须拿住它的边缘，并小心不要碰到任何部件和 IC。
- 内存是由对人体静电很敏感的材料制成。在拿内存之前，应始终先触摸金属物，使您身上的静电得以释放。
- 开始安装或取出内存模块之前，请记住先关闭电脑。当取出内存时如果电脑处于待机或睡眠模式，则数据可能丢失或损坏。另外还会损坏内存模块。

1. 关闭电脑并断开交流适配器连接。
2. 关闭 LCD 面板，然后将电脑颠倒放置。
3. 卸下用于保护内存舱槽盖的螺丝（2 个），然后取下盖子。
取下电脑底部的内存舱盖。



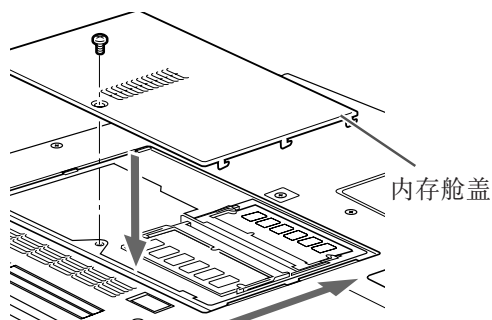
4. 安装内存模块

将内存模块内的槽口对准连接器上的突出部位插入槽内，然后向下按内存模块，直至听到喀嗒声锁住内存。



模块内槽口

5. 盖上内存舱盖，并用螺丝固定。
盖上在步骤 3 中卸下的盖子。



检查内存容量

重要

- 如果内存安装不正确，则开启电脑时将显示错误信息“Expansion memory error”。如果出现此类信息，请关闭电脑，取出内存模块然后重新安装。

1. 开启电脑。
2. 单击“开始”按钮并选择“控制面板”。
出现“控制面板”窗口。
3. 单击“效能及维护”，然后单击“系统”。
出现“系统内容”对话框。
4. 检查下图圆圈内的数字值是否增加了您添加的内存大小。
规格根据不同国家可能会有所变化。请向当地经销商核实实际配置情况。
5. 单击“确定”。

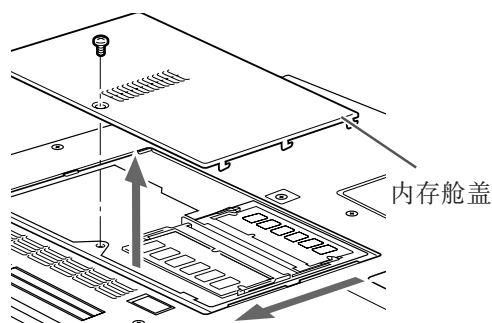
要点

- 如果显示的数值与电脑的内存容量不相符，则检查刚安装的内存模块。

更换内存模块

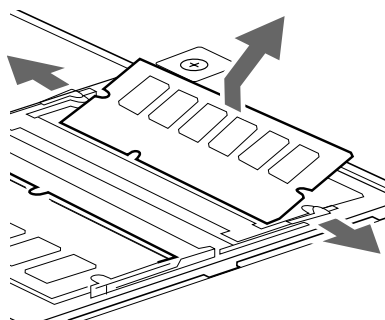
您可以用更大容量的内存模块更换电脑中已经安装的内存模块。

1. 关闭电脑并断开交流适配器连接。
2. 关闭LCD面板，然后将电脑颠倒放置。
3. 卸下用于保护内存舱槽盖的螺丝（2个），然后取下盖子。
取下电脑底部的内存舱盖。



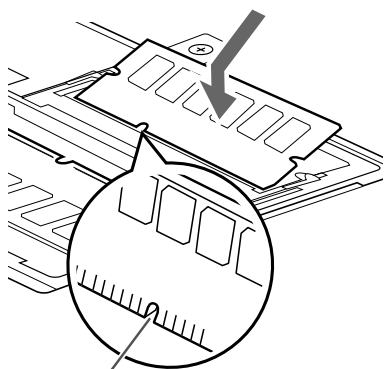
4. 取出内存模块。

移动内存两侧的卡钩。内存模块稍稍抬起。对角向上拔内存模块，将其脱离插槽。



5. 安装新的内存模块。

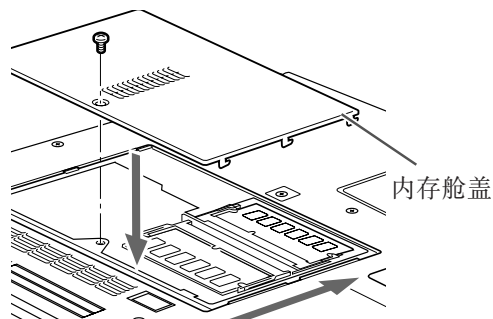
将内存模块对角方向插入插槽，内存模块中的槽口要对准连接器上的凸缘。按下内存模块，直至卡入位并发出喀嗒声。



内存模块中的槽口

6. 盖上内存舱盖。

盖上步骤3中取下的盖子。



要点

- 安装或取出内存模块后，请查看电脑的内存容量，以检查内存模块安装是否正确。

疑难解答

这款 Fujitsu LifeBook 笔记本电脑经久耐用，实际使用中很少发生问题。但是，您可能会遇到一些能当场解决的简单设置或操作问题，或者遇到可通过更换设备便能解决的周边设备中的问题。这一部分中的信息帮助您找出和解决其中一些简单的问题，以及识别需要维修的故障。

识别问题

如果遇到问题，请在寻求复杂的解决办法之前，先执行以下步骤：

1. 关闭 LifeBook 电脑。
2. 确定交流适配器已插接到电脑，并且已接入到通电的交流电源。
3. 确定 PC 卡插槽中安装的所有卡都正确到位。您也可以从插槽中取出卡，从而排除由它引起故障的可能。
4. 确定外部接口上连接的所有设备都正确插接。您也可以断开这些设备，从而排除由它们引起故障的可能。
5. 打开 LifeBook 电脑。在打开之前应确保已经关闭了至少 10 秒钟。
6. 完成引导过程。
7. 如果问题没有解决，请参阅随后的“疑难解答表”，以获得有关疑难解答信息的详细说明。

要点

如果您对所做的尝试作记录，客户支持代表通过电话也许会更快地向您提出更多的建议。

8. 如果通过疑难解答表中建议的方法不能解决问题，请和客户支持代表联络。

在电话联络之前，请准备好提供下列信息，这样客户支持代表就会尽可能最快地为您提供解决方法：

- 产品名称
- 产品设置号
- 产品系列号
- 购买日期
- 在何种情况下产生问题
- 显示的错误信息
- 硬件设置
- 若连接周边设备，请说明设备的类型

关于设置号和系列号，请查看 LifeBook 电脑底部的设置标签。

具体问题

使用疑难解答表

当您遇到 LifeBook 电脑出现问题时，请尝试在疑难解答表的“问题”一栏中找出问题症状。在“可能的原因”下面，您可以找到该症状常见原因的说明。按照“可能的解决方案”一栏的说明解决问题。并非所有可能的原因或解决方案都适用于您的 LifeBook 电脑。

疑难解答表

问题	可能的原因	可能的解决方案
音频问题		
内置扬声器不发出声音。	软件音量控制设置得太低。	调整软件、操作系统和应用程序中的音量控制设置。
	耳机插入了 LifeBook 电脑。	插入耳机会禁用内置扬声器，请取下耳机。
	BIOS 音频设置不正确。	在 Multimedia Device Configuration (多媒体设备设置) 菜单中将 BIOS 设置公用程序设置为预设值。
	软件驱动程序设置不正确。	请参阅应用程序和操作系统说明文档以获得帮助。
	已经使用系统盘上的音量图示关闭了扬声器音量。	单击屏幕右下角工具盘中的音量图示。(该图示像一个喇叭。) 如果选择了 Mute 方块，则在方块上再单击取消选择。
DVD/CD-RW/CD-ROM 光盘驱动器问题		
LifeBook 电脑无法识别 DVD/CD-RW/CD-ROM。	保护片还在 DVD/CD-RW/CD-ROM 光盘驱动器托盘内。	从 DVD/CD-RW/CD-ROM 光盘驱动器托盘取出保护片。
	DVD/CD-RW/CD-ROM 未按入光盘驱动器突起的中心圆。	打开 DVD/CD-RW/CD-ROM 托盘，然后重新正确放入 DVD/CD-RW/CD-ROM。
	DVD/CD-RW/CD-ROM 托盘未锁住。	按 DVD/CD-RW/CD-ROM 托盘正面，直至其锁住。
	未正确安装 DVD 播放器或 DVD 播放器软件。	安装 DVD 播放器软件。

问题	可能的原因	可能的解决方案
DVD/CD-RW/CD-ROM 光盘驱动器问题		
LifeBook 电脑无法识别 DVD/CD-RW/CD-ROM。 (续)	错误的光盘驱动器标志符用于了应用程序中的 DVD/CD-RW/CD-ROM。	检查应用程序使用的光盘驱动器标志符与操作系统使用的相同。 当操作系统从 DVD/CD 引导时，光盘驱动器标志会自动调整。
	Windows DVD/CD-RW/CD-ROM 自动插入功能被禁用。	从桌面或应用程序软件启动 DVD/CD-RW/CD-ROM，或重新开启 Windows DVD/CD-RW/CD-ROM 自动插入功能。
	DVD/CD-RW/CD-ROM 脏了或有损坏。	用无摩擦 CD 清洁布擦拭 DVD/CD-RW/CD-ROM，然后重新插入。如果仍然无法工作，请在光盘驱动器中替换其它 DVD/CD-RW/CD-ROM。
当托盘中没有 DVD/CD-RW/CD-ROM 时，或者未安装光盘驱动器时，操作状态指示灯面板上的 DVD/CD-RW/CD-ROM 存取指示灯以一定的时间间隔闪烁。	Windows DVD/CD-RW/CD-ROM 自动插入功能为开启状态，并正在检查 DVD/CD-RW/CD-ROM 是否可以运行。	这是正常现象。但您可以关闭此功能。
连接端口替代物问题		
注：将印表机新增到连接端口替代物并行连接端口之前必须关闭 LifeBook 电脑。		
当安装了选购件连接端口替代物时，LifeBook 电脑无法开启。	未插入连接端口替代物的交流适配器插头。	向连接端口替代物通电。
	电脑未正确放置在连接端口替代物中。	取出 LifeBook 电脑然后重新装入。

问题	可能的原因	可能的解决方案
软盘驱动器问题		
无法存取软盘。	您试图写入写保护软盘。	退出软盘，然后将其设定为可写入状态。
	软盘未正确装入。	退出软盘，检查软盘方向并重新插入。
	软盘驱动器可能未正确安装。	取出软盘驱动器并重新安装。
	安全功能设定为保护软盘数据的存取。	检查您的密码和安全设置。
硬盘驱动器问题		
不能存取硬盘驱动器。	设置公用程序对您的互联网（Primary Master）或选购件第二硬盘驱动器（Primary Slave）进行了错误的设定。	修改 BIOS 设置以正确设置 Primary Master 和 Primary Slave。
	当可引导 CD-ROM 用来启动 LifeBook 电脑时，应用程序使用了错误的硬盘驱动器标志符。	检查应用程序使用的磁盘驱动器标志符也在由操作系统使用。当操作系统从光盘引导时，磁盘驱动器标志符会自动调整。
	设置了安全功能，如果不输入密码，就不能启动操作系统。	检查您的密码和安全设置。
键盘或鼠标问题		
内置键盘好像不工作。	电脑进入了暂停模式。	单击电源 / 暂停 / 恢复按钮。
	应用程序锁定了键盘。	尝试使用集成的指点设备重新启动系统。

问题	可能的原因	可能的解决方案
键盘或鼠标问题		
您安装了外部键盘或鼠标，但它们好像不工作。	外部设备安装不正确。	重新安装设备。
	您的操作系统软件没有使用该设备正确的软件驱动程序进行设置。	检查设备和操作系统说明文档，激活正确的驱动程序。
	鼠标或键盘被连接到选购连接端口替代物上错误的 PS/2 端口。	将鼠标插入 PS/2 鼠标端口，外部键盘或数字键盘插入 PS/2 键盘端口。
您连接了外部键盘或鼠标，但它们好像锁定了系统。	您的操作系统软件没有使用该设备正确的软件驱动程序进行设置。	检查设备和操作系统说明文档，激活正确的驱动程序。
	您的系统已崩溃。	尝试重新启动电脑。
内存问题		
开机画面或 BIOS 设置公用程序信息主菜单没有显示安装的正确内存容量。	内存升级模块安装不正确。	取出后重新安装内存升级模块。
	内存出现故障。	检查开机自检 (POST) 信息。
调制解调器问题		
关于调制解调器操作的信息。	关于调制解调器操作的信息由正在使用的调制解调器应用程序产生。	请参阅您的应用程序软件说明文档，以获得更多信息。

问题	可能的原因	可能的解决方案
并行、串行和USB 设备问题		
您已经安装了并行端口设备、串行端口设备或 USB 设备。您的 LifeBook 电脑无法识别该设备，或该设备似乎未正常工作。	设备安装不正确。	移除并重新安装设备。
	可能在某一应用程序正在运行时安装完该设备，因此您的电脑未能察觉该设备的安装。	关闭此应用程序，并重新启动您的电脑。
	您的设备可能没有启动正确的软件驱动程序。	参阅软件文件，并启动正确的驱动程序。
	您可能为该设备选择了错误的 I/O 地址。	参阅设备文件和软件文件，以确定所需要的 I/O 地址。 在 BIOS 设置公用程序中更改此设定。
	您的设备与另一设备被赋予相同的 I/O 地址。	检查 BIOS 设置公用程序中所有 I/O 地址，以及其它安装的硬件或软件，确保没有重复。
	并行端口仅设定至输出。	在 BIOS 设置公用程序中检查并行端口设定情况，并将其设定为双向或 ECP。

问题	可能的原因	可能的解决方案
PC 卡问题		
PC 卡插槽中插入的卡不工作，或锁定了系统。	卡安装不正确。	取出后重新安装该卡。
	可能在某一应用程序正在运行时安装完该卡，因此您的电脑未能察觉该卡的安装。	关闭此应用程序，并重新启动您的电脑。
	您的软件可能没有启动正确的软件驱动程序。	参阅软件文件，并启动正确的驱动程序。
	您可能为 PC 卡选择了错误的 I/O 地址。	参阅 PC 卡文件，以确定所需要的 I/O 地址。在 BIOS 设置公用程序中更改此设定。
	您的 PC 卡设备与另一设备被赋予相同的 I/O 地址。	检查 BIOS 设置公用程序中所有 I/O 地址，以及其它安装的硬件或软件，确保没有重复。
电源故障		
您打开了 LifeBook 电脑，但好象没有任何反应。	安装的主电池已完全放电，没有安装可选的第二个电池，或者没有安装电源适配器（交流适配器）。	检查状态指示灯面板以判断有无电池以及电池的状况。装入已充电的电池或电源适配器。
	主电池已安装，但发生故障。	使用操作状态指示灯面板检查有无电池以及电池的状况。如果电池指示发生短路，请取出该电池，使用另一个电源操作，或更换电池。
	电池电量不足。	检查操作状态指示灯面板以判断有无电池以及电池的状况。使用电源适配器操作，直至电池充电，或装入已经充电的电池。
	电源适配器（交流适配器）插接不正确。	检查适配器是否连接正确。

问题	可能的原因	可能的解决方案
电源故障		
您打开了 LifeBook 电脑，但好象没有任何反应。 (续)	电源适配器（交流适配器）所连接的交流插座、飞机座位插孔或汽车点烟器没有电。	将交流电源线插到另一个插座上，检查一下交流插座的线路开关或触发电路断路器。
	电源适配器（交流适配器）发生故障。	试用一下其它电源适配器，或装入已经充电的可选第二个电池。
您的 LifeBook 电脑自行关机。	电源管理参数被设置为自动超时，但这个时限太短，不符合操作的需要。	按键盘上的任一按钮，或移动一下鼠标以恢复操作。如果这样做不起作用，请单击电源 / 暂停 / 恢复按钮。检查一下电源管理设置，或关闭应用程序，转到设置公用程序的 Power Savings 菜单调整超时值，以更好地适合您的需要。
	您现在只靠电池电源进行操作，并且忽略了电池电量不足警告，直至电池最终耗尽，电脑进入了电池耗尽暂停模式。	安装电源适配器，然后按电源 / 暂停 / 恢复按钮。
	发生电池故障。	使用状态指示灯面板检查电池状况，更换或卸下短路的电池。
	电源适配器发生故障，或断开电源。	确定适配器已插接到带电的插座。

问题	可能的原因	可能的解决方案
电源故障		
您的 LifeBook 电脑不能单独靠电池工作。	安装的电池已耗尽电量。	使用充电的电池更换电池，或安装电源适配器。
	没有安装电池。	安装已经充电的电池。
	电池安装不正确。	重新装入电池，验证电池安装正确。
	安装的电池发生故障。	使用操作状态指示灯面板检查电池状况，更换或取出短路的电池。
电池好像放电太快。	由于频繁存取硬盘驱动器或存取 DVD/CD-ROM，以及使用调制解调器卡或 LAN PC 卡，您正在运行的应用程序使用了大量的电能。	如果有可能，请在运行此应用程序时同时使用主电池和选购的第二电池，或使用电源适配器。
	节电功能可能已被禁用。	检查 Power Savings 菜单中的电源管理和 / 或设置公用程序设定，并根据您的操作需要进行调整。
	亮度调得最高。	调低亮度。亮度越高，显示器使用的电量也越高。
	电池太旧。	更换电池。
	电池遭受过高温。	更换电池。
	电池温度太高或太低。	将电脑恢复到正常的操作温度。当电池超出操作范围时，操作状态指示灯面板上的充电图示会闪烁。

问题	可能的原因	可能的解决方案
开机和关机问题		
电源 / 暂停 / 恢复按钮不工作。	在设置公用程序的 Power (电源) 菜单的 Advanced (高级) 子菜单中将电源 / 暂停 / 恢复按钮设定为禁用。	从设置公用程序中启用该按钮。
	您按下按钮的时间不够长。	按住按钮的时间长一些。如果您的应用程序不让 CPU 检查按钮, 这可能需要几秒钟。
	可能出现与应用程序软件的冲突。	关闭所有应用程序, 然后重单击按钮。
系统已加电, 并且显示开机信息, 但无法载入操作系统。	设置公用程序的引导过程设置与您的设置不兼容。	当 Fujitsu 标志出现在屏幕上时, 通过按 [ESC] 键设置操作源, 或使用 [F2] 键进入设置公用程序, 在 Boot (引导) 菜单中调整源设置。
	您的系统被保护, 载入操作系统时需要输入密码。	确定您有正确的密码。进入设置公用程序, 检查 Security (安全) 设置, 并做相应修改。
	未检测到内部硬盘驱动器。	使用 BIOS 设置公用程序或 Main (主) 菜单内的 Primary Master 子菜单, 尝试自动检测内部硬盘驱动器。
在电脑 (引导) 顺序过程中屏幕上显示错误信息。	开机自检 (POST) 检测到问题。	查看开机自检 (POST) 信息, 判断问题的含义。并非所有信息都是错误, 有些只是状态指示器。

问题	可能的原因	可能的解决方案
开机和关机问题		
启动电脑时出现更改设定参数。	在您更改 BIOS 设置后没有储存并退出 BIOS 设置公用程序，因而又回到了先前的设定。	确定您在退出 BIOS 设置公用程序时选择了 Save Changes And Exit（储存更改后退出）。
	BIOS CMOS 保持电池有故障。	联络客户支持代理进行修理。用户不能自行修理这个部件。此部件的正常使用寿命为 3 至 5 年。
系统开启或系统恢复时未开启系统显示。	系统可能有密码保护。	查看操作状态指示灯面板检查安全图示是否正在闪烁。如果指示灯正在闪烁，请输入密码。
视频问题		
开启电脑时内置显示器空白。	有东西压在 Closed Cover 开关上。	检查 Closed Cover 开关。

问题	可能的原因	可能的解决方案
视频问题		
开启电脑时内置显示器空白。 (续)	电脑设置为只使用外部显示器。	在按住 [Fn] 键的同时按 [F10]，则可以更改对发送显示视频的位置。每次按下这一组合键时，您都会跳到下一个选择。这些选择按顺序排列依次为：内置显示器，外部显示器，内置显示器及外部显示器。
	显示器角度和亮度设置不适合您的灯光条件。	移动显示器和亮度控制，直至能完全看清楚。
	电源管理超时可能设定了非常短的时间间隔，您没能注意到显示器显示并又关闭。	按键盘上的任何按钮，或移动鼠标恢复操作。如果仍然失败，则按电源 / 暂停 / 恢复按钮。（显示器可能会由待机模式、自动暂停或视频超时而关闭。）
LifeBook 电脑打开时发出一串哔声，内置显示器为空白。	开机自检 (POST) 检测到不允许显示器再继续操作的故障。	请与客户支持代理联络。
在使用一段时间之后显示器自行进入空白状态。	由于您在一段时间内没有使用，电脑已进入了视频超时、待机模式、暂停模式或保存至硬盘模式。	按键盘上的任一按钮，或移动一下鼠标以恢复操作。如果这样做不起作用，请单击电源 / 暂停 / 恢复按钮。检查一下电源管理设置，或关闭应用程序，转到设置公用程序的 Power Savings (节能) 菜单调整超时值，以更好地适合您的操作需要。
	电源管理超时可能设定了非常短的时间间隔，您没能注意到显示器显示并又关闭。	按键盘上的任何按钮，或移动鼠标恢复操作。如果仍然失败，则按电源 / 暂停 / 恢复按钮。（显示器可能会由待机模式、自动暂停或视频超时而关闭。）
	有东西压在 Closed Cover 开关上。	检查 Closed Cover 开关。

问题	可能的原因	可能的解决方案
视频问题		
应用程序显示只使用部分屏幕，四周是黑框。	您正在运行的应用程序不支持 800 x 600/1024 x 768 像素分辨率显示器，并启用了显示压缩。	显示压缩使不支持 800 x 600/1024 x 768 像素分辨率的应用程序显示更清晰，但显示变小。您可以更改显示设定进行全屏显示，但分辨率下降，（请参阅 BIOS Advanced（高级）菜单中的 Video Features（视频功能）子菜单。）
使用电池电源时显示器很暗。	电源管理程序预设设定为低亮度显示，以节约电能。	按 [Fn] + [F7] 增加亮度或按两下电池标尺并调整电池设置下面的“电源控制”。
您连接了外部显示器，但它不显示任何信息。	BIOS 没有设置为启用外部显示器。	通过同时按 [Fn] 和 [F10] 尝试切换视频目标，或检查 BIOS 设置，启用外部显示器。（请参阅 BIOS Advanced（高级）菜单中的 Video Features（视频功能）子菜单。）
	外部显示器安装不正确。	重新安装设备。
	您的操作系统软件没有使用该设备正确的软件驱动程序进行设置。	检查设备和操作系统说明文档，激活正确的驱动程序。
您连接了外部显示器，但它不显示任何画面。	外部显示器与 LifeBook 电脑不兼容。	请参阅显示器说明文档和“技术规格”部分“外部显示器支持”一节的内容。
其它问题		
在操作应用程序时屏幕上显示错误信息。	应用程序软件经常显示自己的一组错误信息。	请参阅应用程序手册和帮助显示画面以获得更多信息。并非所有信息都是错误，有些只是指示状态。

版權

富士通有限公司會盡力保證本文檔內容的準確性和完整性。但是，由於我們仍在不斷改進產品的功能，因此不能確保本文檔沒有任何差錯。對於文檔中錯誤、疏忽或以後的修改我們不承擔任何責任。

LifeBook 是富士通有限公司的商標。

Microsoft、Windows、MS、MS-DOS 和 Windows NT 是美國 Microsoft Corporation 在美國和其它國家或地區的註冊商標。

Phoenix 是美國 Phoenix Technologies Corporation 的註冊商標。

ExpressCard™ 模塊技術是 Personal Computer Memory Card International Association 的註冊商標。
ExpressCard ID: EC100034

版權所有©1981-1999 Microsoft Corporation，保留所有權利。

版權所有©1999 Phoenix Technologies, Ltd., 保留所有權利。

其它所有產品是其各自公司的商標或註冊商標。

©版權所有 2005 Fujitsu Limited，保留所有權利。未經富士通有限公司事先書面同意，嚴禁拷貝、複製或翻譯本出版物中的任何內容。未經富士通有限公司書面同意，嚴禁以任何電子形式存儲或傳輸本出版物中的任何內容。

本設備遵循 FCC 規則的第 15 部分。設備操作必須符合下列兩項條件：

- (1) 本設備不能造成有害干擾。
- (2) 本設備必須能承受接收到的干擾，包括會造成意外操作的干擾。

網站：www.pc-ap.fujitsu.com

* 此說明書僅適用於 C1320/C1321。



一致性聲明
根據 FCC 第 15 部分內容

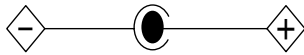
重要安全說明

1. 請仔細閱讀這些說明，並保存起來以備以後參考。
2. 遵循本產品上標示的所有警告和指示。
3. 清潔之前先從牆上插座上拔下本產品的電源線。切勿使用液體或噴霧清潔劑。使用濕布進行清潔。
4. 不要在靠近水的地方使用本產品。
5. 不要將本產品放在不穩定的車輛、支架或桌子上。以免產品跌落，造成嚴重損壞。
6. 機殼上、背部和底部的槽口用於通風目的。為確保本產品的可靠運行，不至於出現過熱高溫，嚴禁堵塞和蓋住這些槽口。嚴禁將本產品放在床、沙發、地毯或其它類似表面上，從而造成這些槽口的堵塞。切勿將本產品靠近散熱器或電熱器，或放在它們的上面，也不要將本產品放在箱內，除非通風條件良好。
7. 只能按照標籤上註明的電源類型使用本產品。如果您不確定可用的電源類型，請諮詢經銷商或當地的電力公司。
8. 本產品配備有一個 3 線接地型插頭，這是一種有第三（接地）腳的插頭。此插頭只能插入接地型的插座。這是一種安全功能。如果您無法將插頭插入插座，請聯繫電工更換過時的插座。請勿破壞接地型插頭的功能。
9. 不要將任何物品壓在電源線上。本產品的電源線不應位於人們經常出入的地方。
10. 如果使用本產品需要延長電線，一定要確保接入延長電線上設備的額定安培總數不超過延長線的額定安培數。也要確保接入牆上插座上所有產品的總額定值不會超過 15 安培。
11. 嚴禁將任何物品通過機殼的槽口插入到本產品，這樣可能會碰到高壓部件，造成火災或電擊。切勿將任何液體洒到本產品上。
12. 不要嘗試自行維修本產品，打開或卸下護蓋可能會使您遭到電擊，或其它危險。請務必請專業的維修人員進行維修。
13. 如果出現以下情況，應從牆上插座拔下本產品的電源線，請專業的維修人員進行維修：
 - a. 電源線或插頭損壞或磨損。
 - b. 產品內濺入了液體。
 - c. 產品遭到雨淋或進水。
 - d. 正常操作情況下，產品運行不正常。只調整操作說明中介紹過的那些控制，因為不正確地調整其它控制可能會造成損壞，通常需要合格的技術人員花費更大的精力維修產品。
 - e. 產品跌落，或機殼損壞。
 - f. 產品性能出現明顯變化，需要進行維修。

-
14. **注意：更換電池時一定要確保電池裝入的極性位置正確。更換的電池類型不正確或處理不當，會有爆炸的危險。切勿對電池充電、折解或投入火中。只應使用製造商建議的相同或同類電池進行更換。並按照製造商的說明處理用過的電池。**
 15. 只使用專供本裝置使用的正確類型的電源線組（附件箱中提供）。它應是可分開的類型：UL 認證 / CSA 認證，BS1363、ASTA、SS145 認證，額定 10A 250V 最小，VDE 認證或等同。最大長度為 15 英尺（4.6 米）。

UL 聲明

該裝置需要交流轉接器才能使用。並且只能使用獲得UL認證，額定輸出為19VDC，4.22A的2類轉接器。請參考以下示意圖以瞭解正確的交流轉接器輸出極性。



注意

- 為降低火災危險，只應使用#26號 AWG 或更大的通信電話線。

授權修理技術人員須知

注意

- 為防止火災的發生，只應使用相同類型和額定值的保險絲進行更換。

警告

- 如果鋰（CMOS）電池更換不當，會有爆炸的危險。只應使用相同的或製造商建議的同類電池進行更換。按照製造商的說明處理用過的電池。

正確處理電池

在聯邦、國家或地區法律中，將電池扔進垃圾箱或垃圾桶的處理方法是非法的。請保護我們的環境，並正確處理電池。關於回收或處理不想要的電池，請與當地政府權力機關協商。



廢電池請回收

在要求高安全性的場合使用時的注意事項

本產品系為一般應用領域設計和製造，包括一般辦公使用、個人使用、家庭使用和普通行業使用。

本產品不適合也不建議用於危險（致命）情況下，除非帶有極高的安全保障。

請勿在沒有採取高度安全措施的情況下使用本產品。

如果在以下任一種或任幾種環境中或附近使用本產品，請遵守本警告，否則可能導致死亡、人身傷害、嚴重物理損壞或其他損失：

- 核能設施中的核能反應控制系統
- 飛機或其他飛行控制系統中的自動飛行控制系統
- 大型運輸控制系統
- 用於生命維持系統的醫療儀器
- 用於武器系統的導彈發射控制

備份資料的注意事項

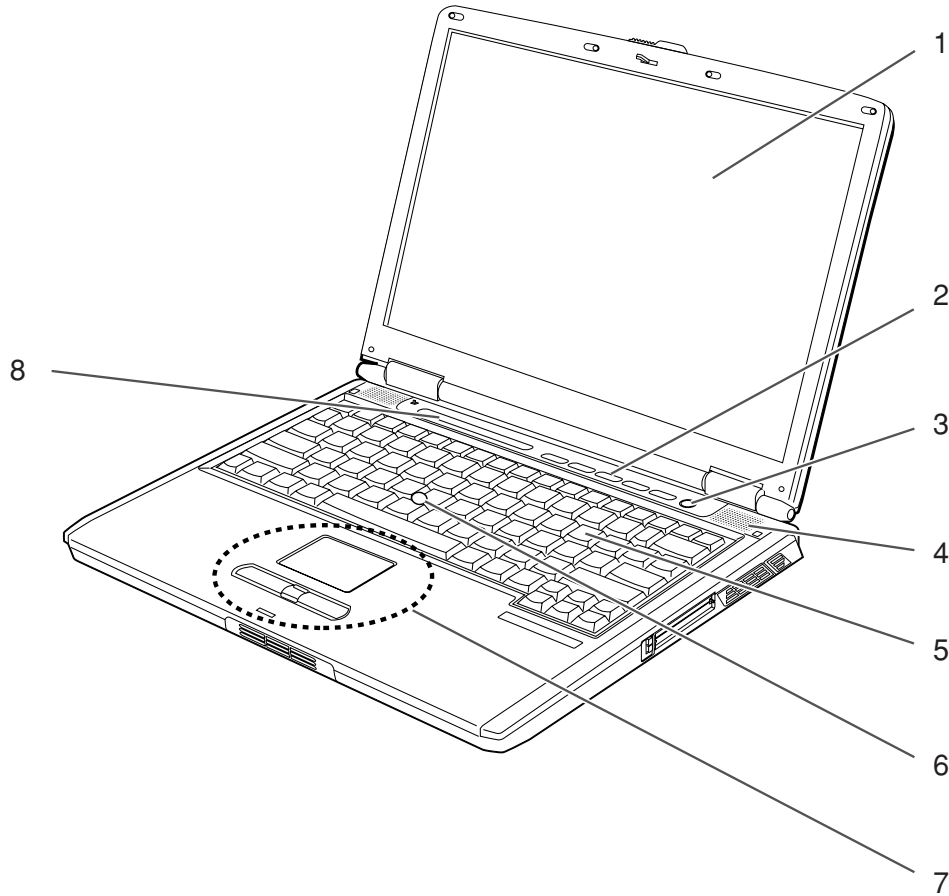
請將作業系統、所有軟體程式以及生成的檔案進行備份（並定期更新）。

如果您將本產品送往富士通或任何其附屬機構、供應商、服務提供商或零售商進行維修，富士通等對資料的完整性不作保證。事先對資料進行備份是您的責任。

如果您的資料由於任何原因而丟失，除非保固卡上寫出，否則富士通對於損壞、資料完整性或恢復等不承擔任何賠償義務。

目錄

部件名稱及其功能.....	1	電源	15
筆記本電腦的正面	1	連接電源轉接器	15
外觀：側面	3	開機	16
外觀：電腦的頂部和底部	6	關機	16
外觀：電腦的背面	7	更換內部電池組	17
連接埠替代物	8	增加記憶體	18
操作狀態指示燈 LCD	10	何處安裝記憶體	18
電源指示燈	10	準備工作	18
交流轉接器指示燈	10	安裝記憶體模塊	18
電池電量指示燈	10	檢查記憶體容量	20
電池充電指示燈	10	更換記憶體模塊	20
無線區域網路指示燈	10	疑難解答	22
光碟機存取指示燈	10	識別問題	22
磁碟機存取指示燈	10	具體問題	22
PC 卡插槽存取指示燈	11	疑難解答表	23
Num Lock 指示燈	11	註：	
Caps Lock 鍵	11	LifeBook 用戶說明書位於微軟 Windows 桌面和軟體	
Scroll Lock 指示燈	11	驅動程式光盤上。您可以使用此 LifeBook 用戶說明	
靠電池運行電腦	12	書找到您的筆記本電腦的各種功能和特點的更詳細	
給電池充電	12	信息。	
靠電池運行電腦	13		
檢查電池的電量	13		
電池電量不足狀態	14		



(本圖片僅用作插圖，可能與實際裝置有差異。)

部件名稱及其功能

筆記本電腦的正面

1. LCD 面板

筆記本電腦的顯示屏。



要點

- 以下現象是 LCD 面板的特性，而並不表示 LCD 面板有故障。
 - 您的筆記本電腦 TFT 彩色 LCD 屏幕是由超過 2,350,000 個影像元素（當屏幕解析度設定為 1024 x 768 像素時的點數）組成，是採用先進技術製造而成。由於技術上的原因，您的 LCD 屏幕上可能有不亮的像素，也可能有始終發亮的像素。
 - LCD 屏幕的顯示可能存在輕微的顏色差異和濃度不均勻。

2. LifeBook 媒體播放 / 應用程式面板*

LifeBook 媒體播放面板提供光碟機槽中媒體的音訊和視訊播放功能。應用程式面板提供單觸式應用程式啟動功能。

3. 電源和暫停 / 恢復按鈕

此按鈕用於開啟和關閉筆記本電腦。您也可以使用此按鈕暫時停止筆記本電腦的活動，而不關閉電源，並能從暫停模式恢復運行。

4. 揚聲器

內建雙喇叭可提供立體聲音效。

5. 鍵盤

84 鍵鍵盤，帶有專用 Windows 鍵、上頁 (PgUp) 鍵及下頁 (PgDn) 鍵。

6. 快速指點*

此項選購功能提供另一種移動顯示游標（滑鼠指針）的方法。

7. 觸摸板

可以用來控制顯示指標（滑鼠指標）。



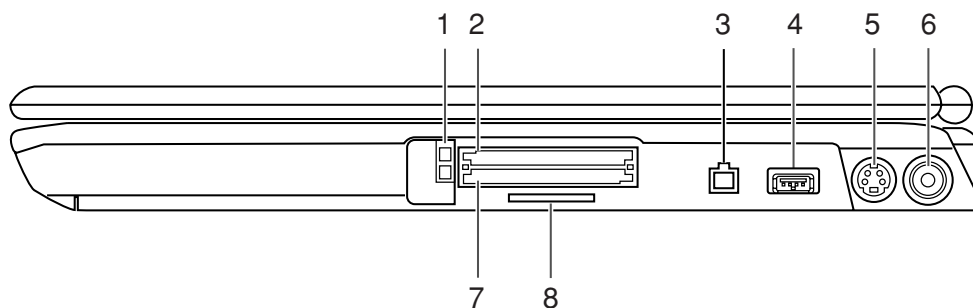
要點

- 有些應用程式可能不允許您使用捲軸按鈕上下捲動瀏覽文件。

8. 操作狀態指示燈 LCD

此指示燈是顯示筆記本電腦特定部件運行狀態的符號。

* 此功能僅適用於某些機型。



(本圖片僅用作插圖，可能與實際裝置有差異。)

外觀：側面

■ 電腦的右側

1. ExpressCard™ 和 PC 卡退出按鈕

按這些按鈕可以退出卡槽中所安裝的 ExpressCard™ 模塊和 PC 卡。

2. ExpressCard™ 插槽

可使您連接 ExpressCard™ 模塊。
有兩種尺寸的 ExpressCard™ 模塊：一種為 34mm 寬 (ExpressCard™/34)，另一種為 54mm 寬 (ExpressCard™/54)。
此 LifeBook 筆記本電腦同時支援兩種尺寸的 ExpressCard™ 附件。

注：

ExpressCard™ 一致性 ID：EC100034。

3. IEEE 1394 埠

您可以使用此連接埠連接具有 IEEE 1394 連接埠的多媒體設備，如數位攝影機。

4. USB 2.0 埠

USB 2.0 埠用於連接 USB 設備。USB 2.0 設備最高能以 480Mbps 傳送資料，並能與最高以 12Mbps 傳送資料的 USB 1.1 設備相容。

5. S-Video (小型) 端子

您可以使用此連接埠，並使用選購件電纜連接至具有 S-Video 連接埠的電視機，以取得高品質視訊輸出。

6. 直流輸入插孔

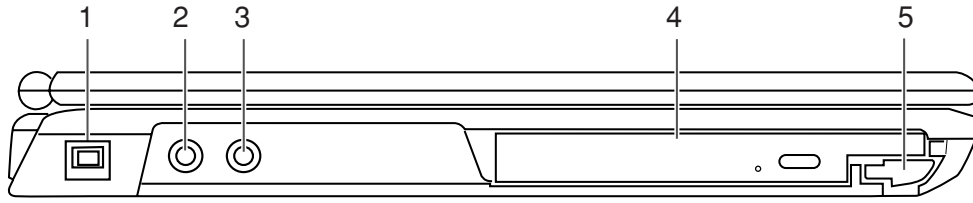
將隨機提供的交流轉接器插入此插孔即可對電腦供電和對電池充電。

7. 安全數碼卡插槽

可讓您插入選購件安全卡 (SD) 並將其作為存儲設備。

8. PC 卡

可以安裝選購件 PC 卡。



(本圖片僅用作插圖，可能與實際裝置有差異。)

■ 電腦的左側

1. 無線 LAN 開關 / 紅外線埠

• 無線 LAN 開關

此開關用於開啟和關閉無線 LAN 天線。

注：

此開關僅適用於帶有無線 LAN 天線的筆記型電腦。

• 紅外線埠*

快速 IrDA 埠可使您的電腦與另外的 IrDA 相容紅外線設備進行無線通訊。

* 此功能僅適用於某些機型。

您的筆記型電腦配備了高清晰度音訊 (HDA) 插孔。

2. HDA-Out (HDA 輸出)

可以連接以下音頻輸出設備。

• 耳機插孔

用來連接 $\varnothing 3.5\text{mm}$ 的耳機。市面上有售不同類型接口的耳機。購買前請檢查這些耳機相容性。

• Line-out (線路輸出)

可以連接外接音頻設備，例如：一對立體聲揚聲器。

3. HDA-In (HDA 輸入)

可以連接以下音頻輸入設備。

• 麥克風插孔

用來連接 $\varnothing 3.5\text{mm}$ 單聲道或立體聲麥克風。

• Line-in (線路輸入)

可以連接外接音頻源，例如：一個外接 CD 播放機或 MP3 播放機。

重要

- 如果此 LifeBook 配有能讀取 DVD 標題的光碟機，則此光碟機的出廠預設為讀取帶有為亞太市場指定的地區代碼的 DVD 標題（例如，亞洲代碼為 3，澳洲代碼為 4，中國代碼為 6）。
- 當首次播放帶有地區代碼的 DVD 標題時，而此代碼與 DVD 出廠設定地區代碼不同，則將會提醒您更改 DVD 光碟機的地區代碼。DVD 光碟機的地區代碼最多可更改 4 次，此後 DVD 光碟機將被鎖定，因此只能播放最後設定的地區代碼的 DVD 標題。

要點

- 切勿讓設備艙內空置。否則會產生意外的系統故障。

4. 可移動多功能設備艙*

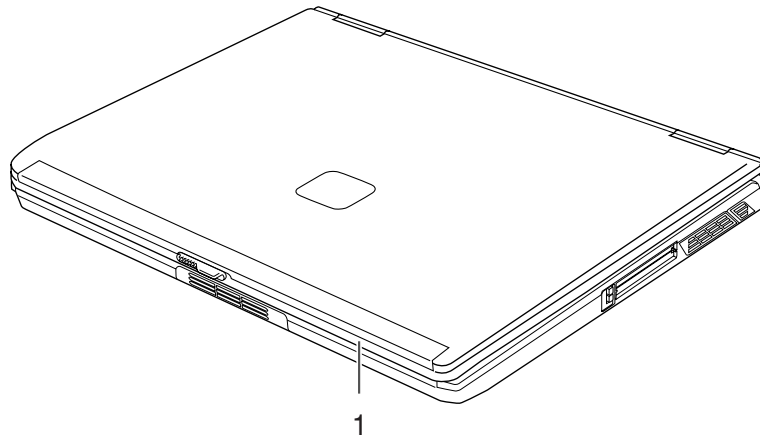
您的筆記本電腦有一個內部光碟機，各國家或地區可能有差異。請與您當地的經銷商確認實際配置。您可以用其它艙內選項更換已經安裝的光碟機。這些需要單獨購買。

5. 設備艙開啟開關*

使用此開關即可打開已經安裝的多功能設備艙。

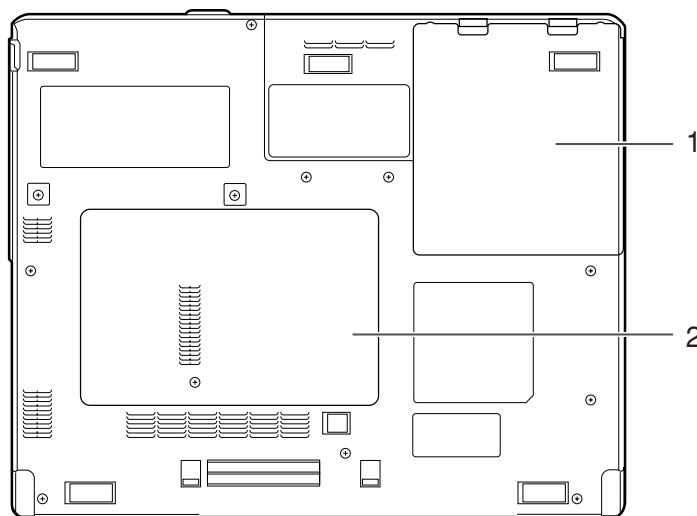
* 可移動多功能設備艙與設備艙開啟開關僅適用於附有熱量交換設備艙的筆記本電腦。附有光盤驅動器的筆記本電腦並沒有這些功能。

外觀：電腦的頂部和底部



1. 內建無線 LAN

雙無線 LAN 天線的位置。



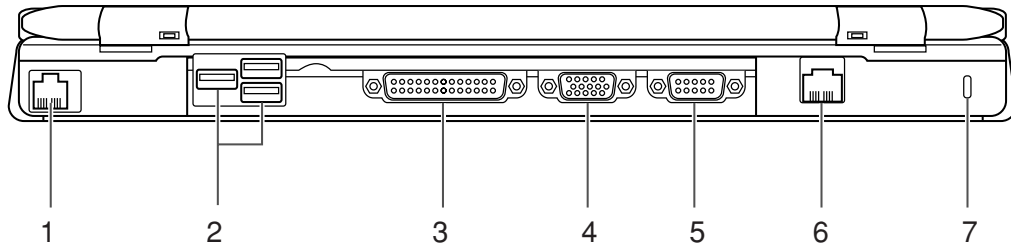
(本圖片僅用作插圖，可能與實際裝置有差異。)

1. 內部電池組艙

內部電池組所在位置。

2. 擴展 RAM 模組插槽

擴展記憶體插槽的位置。



(本圖片僅用作插圖，可能與實際裝置有差異。)

外觀：電腦的背面

1. 數據機 (RJ-11) 埠

用於使用隨機提供的 RJ-11 電纜將電腦的內部數據機連接到電話線路。

2. USB 2.0 埠

USB 2.0 埠用於連接 USB 設備。USB 2.0 設備最高能以 480Mbps 傳送資料，並能與最高以 12Mbps 傳送資料的 USB 1.1 設備相容。

3. 並行埠

並行埠用於連接並行設備。

4. 外部 VGA 埠

外部 VGA 埠用於連接外部顯示器或 CRT 監視器。

5. 串行埠

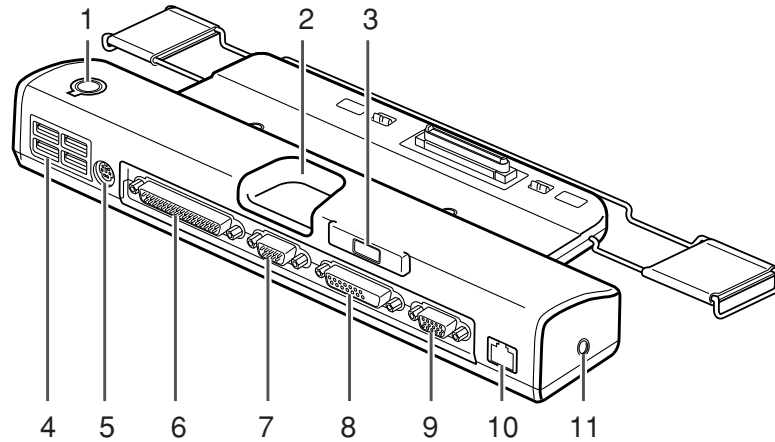
串行埠用於連接串行設備。

6. LAN (RJ-45) 埠

此埠可讓您使用選購件 LAN 電纜將電腦連接到 LAN (本地網路)。此埠與 1000/100/10Base-T 網路相容。

7. 防盜鎖槽

用於穿接選購的鎖定裝置。



(本圖片僅用作插圖，可能與實際裝置有差異。)

連接埠替代物*

連接埠替代物為選購項目。在有些國家的配置中可能作為附件。請與當地銷售商確認配置情況。

* 此選項僅適用於某些機型。

■ 連接埠替代物後面板

後面板部件

以下簡單說明連接埠替代物後面板部件。

1. 電源和暫停 / 恢復按鈕

此按鈕用於開啟和關閉筆記本電腦。您也可以使用此按鈕暫時停止筆記本電腦的活動，而不關閉電源，並能從暫停模式恢復運行。

2. 釋放手柄

您可以按此連接埠替代物釋放手柄將連接埠替代物從電腦上取下。

3. 防盜鎖槽

用於穿接選購的鎖定裝置。

4. USB 2.0 埠

USB 2.0 埠用於連接 USB 設備。USB 2.0 設備最高能以 480Mbps 傳送資料，並能與最高以 12Mbps 傳送資料的 USB 1.1 設備相容。

5. PS/2 鍵盤 / 滑鼠埠

PS/2 埠用於連接外部 PS/2 鍵盤或滑鼠。

6. 並行埠

並行埠用於連接並行設備。

7. 外部 VGA 埠

外部 VGA 埠用於連接外部顯示器或 CRT 監視器。

8. 數位視頻介面 (DVI-D)

DVI-D 埠用於連接具備用於超清晰數位影像和圖形的 DVI-D 埠的平板液晶顯示器或電視機。

9. 串行埠

串行埠用於連接串行設備。

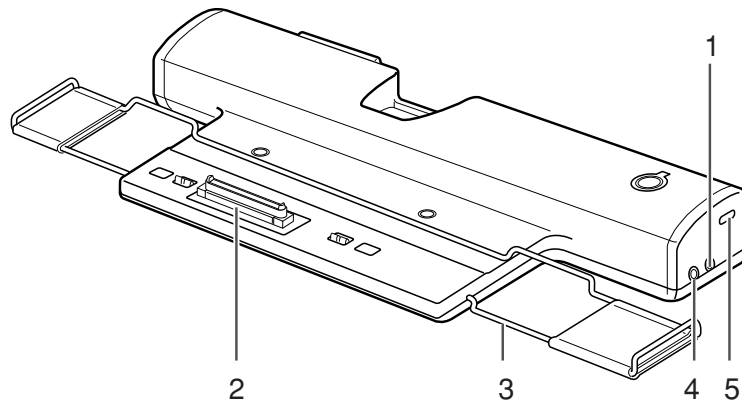
10. Lan (RJ-45) 插孔

LAN 埠用於連接 LAN (RJ-45)。

請注意，當您的筆記本電腦對接在連接埠替代物上，則 LifeBook 上的 LAN 埠將無法存取。當 LifeBook 對接在連接埠替代物上時，連接埠替代物 LAN 埠將用於連接網路資源。

11. DC 電源插孔

DC 電源插孔用於插入交流轉接器插頭，對您的筆記本電腦供電。



(本圖片僅用作插圖，可能與實際裝置有差異。)

■ 連接埠替代物前面板

前面板部件

以下簡單說明連接埠替代物前面板部件。

1. 耳機插孔

耳機插孔用於連接耳機或外部揚聲器。

2. 連接埠替代物介面

此介面將連接埠替代物連接至您的筆記本電腦。

3. 可調節導向桿

可調節導向桿可使連接埠替代物與各種不同的 LifeBook 機型配合使用。

注：

若要將 LifeBook 裝到埠替代物上，則可調節導向桿必須如圖所示位於上部。

4. 麥克風插孔

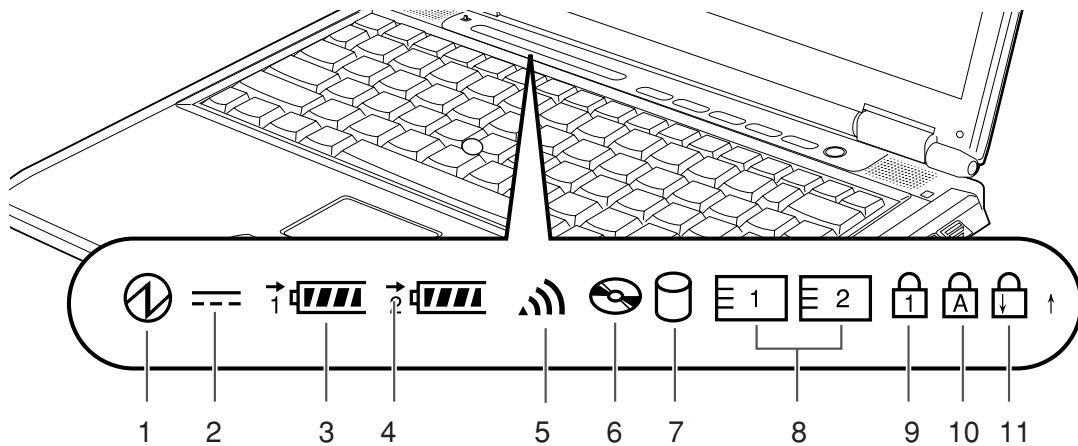
用於連接外部單聲道麥克風。

5. 防盜鎖槽

用於穿接選購的鎖定裝置。

👉 重要

- 如果在 LifeBook 電源開啟時安裝/移除連接埠替代物，則與連接埠替代物連接的周邊設備可能運行不穩定。如果發生上述情況，請先關閉 LifeBook 電源再安裝 / 移除連接埠替代物。



(本圖片僅用作插圖，可能與實際裝置有差異。)

操作狀態指示燈 LCD

1. 電源指示燈 (ⓐ)

當電腦通電時指示燈開啟。
電腦電源關閉時指示燈熄滅。如果電腦進入暫停模式，則指示燈閃爍。

2. 交流轉接器指示燈 (≡)

指示燈指示電腦電源的來源，例如是交流轉接器或內部電池。當電源來自外部的交流轉接器，則指示燈開啟。而當電源來自內部電池，則指示燈熄滅。

3. 電池電量指示燈 (↗, ↘)

兩個電池電量指示燈表示標準鋰離子電池和選購件模塊電池的現有狀態。電池 1 表示標準電池，電池 2 表示選購件模塊電池。另外，這兩個指示燈將顯示電池的剩餘電量。

4. 電池充電指示燈 (→)

當內部電池正在充電時此指示燈開啟。

5. 無線區域網路指示燈 (Ⓜ)

當無線區域網路開關開啟時，此指示燈亮起。當無線區域網路開關關閉時，此指示燈熄滅。

6. 光碟機存取指示燈 (Ⓞ)

當光碟機設備正在存取時此指示燈開啟。

7. 磁碟機存取指示燈 (Ⓞ)

當正在存取內部硬碟或抽取式磁碟時指示燈開啟。

要點

- 當磁碟機存取指示燈開啟時切勿關閉電腦電源。否則將破壞磁碟中的資料，以及所安裝的作業系統。

8. PC 卡插槽存取指示燈

( )


如果應用程式試圖存取 PC 卡插槽，無論插槽內是否插有 PC 卡，指示燈都將開啟。

9. Num Lock 指示燈 ()

當鍵盤鎖定在 Num Lock 模式時點亮。(當 Num Lock 模式開啟時，您可以將鍵盤作為 10 位數數字鍵盤使用。)

您可以使用 [] 鍵轉換 Num Lock 模式。

10. Caps Lock 鍵 ()

使用 [] 鍵即可轉換 Caps Lock 模式。


11. Scroll Lock 指示燈 ()

當鎖定模式開啟時指示燈開啟。

按住 [] 鍵並使用 [] 鍵即可轉換 Scroll Lock 按鈕。



靠電池運行電腦 給電池充電

1. 將交流轉接器連接至電腦。

當您將交流轉接器連接到電腦，電腦開始對內部標準電池組充電，操作狀態指示燈 LCD 上的充電狀態指示燈 () 開啟。

2. 當電池完全充電後指示燈熄滅時，請斷開交流轉接器與電腦的连接。

要點

- 在電腦購買後第一次使用隨機提供的電池組之前，請記住對電池組完全充電。如果充過電的電池超過一個月未重新充電，則在使用前進行充電。
- 當電池完全充電時，充電狀態指示燈熄滅，並且指示燈停止閃爍 () 而點亮 () 。

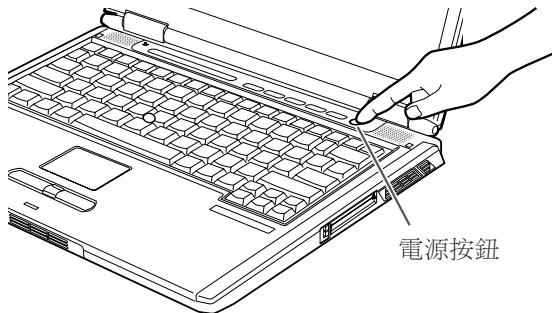
要點

- 當電池已充電 90% 或更高時，則即使還連接著交流轉接器，它也不能再充電。當電池電量 (例如：剩餘電池使用時間) 為 89% 或更少時，電池組才會充電。
- 在電腦電源關閉時，如果電池已經完全充電，則操作狀態 LCD 上的所有指示燈都將立即熄滅。
- 在太熱或太冷的地方使用，電池的充電性能將降低。
- 當電池的溫度過高，例如剛在長時間使用電腦後，電池保護功能可能會啟動，防止再對電池充電。當溫度下降時，電腦將自動開始對電池充電。
- 當安裝了選購件模塊電池，則將隨內部標準電池一起充電。

靠電池運行電腦

本章節講述使用電腦內部標準電池運行的步驟。

1. 從電腦上斷開交流轉接器，然後按下電源按鈕啟動電腦。



(本圖片僅用作插圖，可能與實際裝置有差異。)

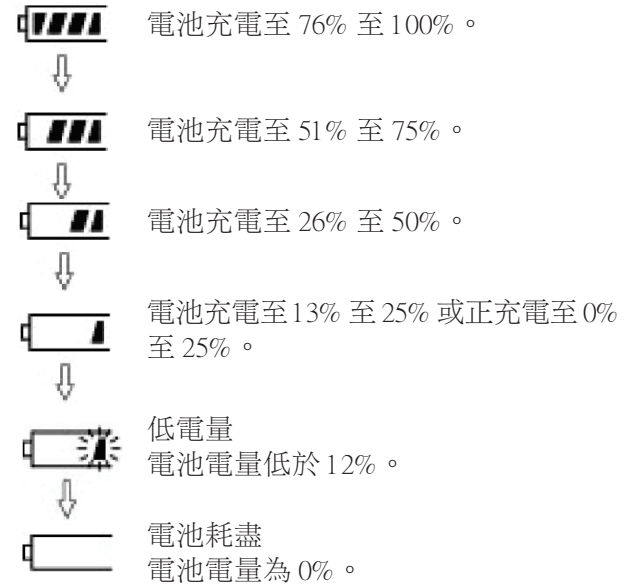
要點

- 在寒冷的地方使用，電池的電量等級將會速下降。
- 電池長時間使用後，電池的充電性能會快速下降。如果電池消耗很快，請換上新的電池。
- 當裝有選購的模塊電池，則將與內部標準電池一起充電。

檢查電池的電量

當開啟電腦或電池正在充電，電池電量指示燈即開啟並閃爍，以指示電池的電量。


■ 電池的不同電量等級




要點

- 由於鋰離子電池的某些特性，電池電量指示燈可能無法正確指示電池的剩餘電量，特別是在溫度異常的條件下。
- 當電池已充電 90% 或更高時，則即使還連接著交流轉接器，它也不能再充電。當電池電量為 89% 或更少時，電池組才會重新充電。

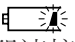
■ 電池故障警告

 表示電池無法正常充電。

要點

- 如果顯示 ，請關閉電腦，取出電池並重新正確裝入。

電池電量不足狀態

當電池放電到非常低的水平時，操作狀態指示燈 LCD 上的電池電量指示燈閃爍（）。如果指示燈閃爍，請立即將交流轉接器連接到電腦給電池充電。

要點

- 使用電量不足的電池可能會造成當前正在使用的資料丟失。當電池電量不足時，只要有外部電源，就立即將交流轉接器連接到電腦保存正在處理的資料，退出所有應用程式，然後關閉電腦。
- 存取硬碟上的資料需要消耗大量電能。因此，當電池電量不足時，應先將交流轉接器連接到電腦，然後再存取硬碟上的資料。
- 如果電池電量微弱，且系統沒有活動，則電腦可能進入待機（如暫停）模式。但是，如果有系統活動，則只有在系統活動完成處理後電腦才進入待機模式。
- 當指示燈達到3%時，電腦進入待機模式。這是本電腦的預設設定。

電源

連接電源轉接器

交流轉接器為操作筆記本電腦提供電源，並對電池充電。

連接交流轉接器

1. 將直流輸出電源線插入筆記本電腦的直流電源插孔。
2. 將交流轉接器插入交流電源插座。



要點

在購買時鋰離子電池未充電。在第一次使用時請記住將交流轉接器連接到電腦對電池充電。

開機

電源 / 暫停 / 恢復按鈕

您可以使用電源 / 暫停 / 恢復按鈕開啟您的電腦。一旦您連接了交流轉接器或已經完成內部鋰離子電池充電，您就可以開啟電腦。

要點

當您打開電腦時，必須確保電腦已連接了電源。這表示至少要安裝一塊電池並已經充電，或者連接交流轉接器且接通電源。

您可以按電源 / 暫停 / 恢復按鈕關閉您的電腦。當您結束使用電腦後，您可以使電腦停留在待機（如暫停）模式或關閉電腦。

注意

切勿將電腦在電源開啟情況下到處移動。且勿使電腦受到衝擊或震動，否則會損壞您的電腦。

當電腦開啟後，為了能正常操作，電腦將執行開機自檢（POST）以檢查內部部件和配置。如果發現故障，電腦將發出聲音警告和 / 或顯示錯誤信息。

當開機自檢（POST）順利完成後，電腦將開始載入作業系統。

關機

關閉電源之前，請確認硬碟、DVD、CD-ROM、CD-RW 和 PC 卡指示燈都已熄滅。如果在電腦正在存取磁碟或 PC 卡時關閉電腦，則可能丟失或損壞資料。關閉電腦時應始終採用 Windows 關機程序正確關閉電腦。

注意

在使用電源按鈕關閉電源之前應牢記先關閉所有檔案，結束所有應用程式，關閉作業系統。如果電腦電源關閉時正在操作文件，則資料可能丟失，並可能導致磁碟出現錯誤。

請記住使用正確的程序關閉電腦。正確的程序如下：

1. 按一下開始按鈕，然後按一下關機或關閉電腦。
2. 在 Windows 關機對話方塊中選擇關機選項。
3. 按一下確定關閉電腦。

更換內部電池組

警告

- 更換內部電池組之前，應確保關閉電腦，並斷開交流轉接器與電腦的連接。為了避免電擊危險或損壞電腦，請小心不要接觸電腦的內部部件，包括電池連接端子。

■ 更換內部電池組

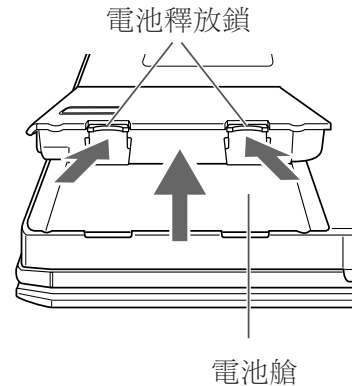
1. 關閉電腦並斷開交流轉接器連接。
2. 關閉 LCD 面板，然後將電腦顛倒放置。

重要

- 請請關上 LCD 面板。且勿用力壓。否則可能會損壞 LCD 面板。

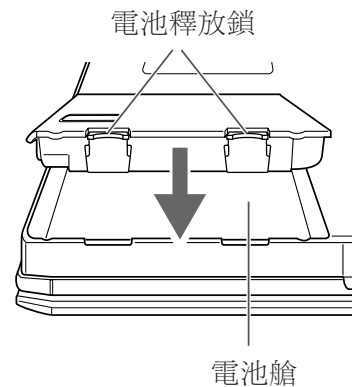
3. 取出電池組。

按住電池鎖，將電池按箭頭所示方向朝外推。



4. 裝入新的電池組。

按住電池組鎖，並對準後裝入電腦電池艙。將電池放入後，如圖所示向內按電池，然後鬆開電池鎖。



重要

- 取出內部電池組後，請採取必要的措施防止電池短路。例如，您可以使用絕緣膠帶封住電池的連接端子。取出內部電池組後，切勿將其與其它類型的電池混在一起。
內部電池組含有可回收利用材料。

增加記憶體

何處安裝記憶體

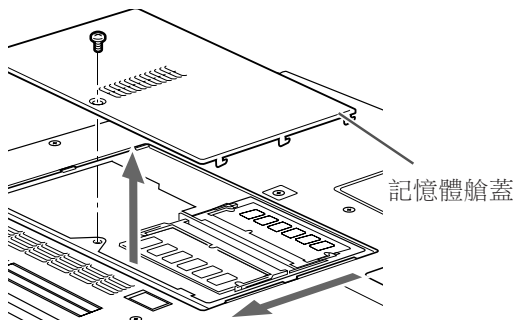
您的電腦有擴充 RAM 模塊槽（槽 2），用於新增記憶體模塊。

電腦記憶體容量最大可以擴充到 2GB（1024 MB x 2）。

準備工作

- **十字螺絲刀**

請使用適當大小的螺絲刀卸下蓋子上的螺絲。否則會損壞螺絲頭。



要點

- 記憶體模塊配置表。
下表為電腦中可以安裝的記憶體組合。

安裝除以下表中記憶體組合之外的其它記憶體組合會削弱電腦的功能。

總容量	槽 1	槽 2
256 MB	256 MB	
512 MB	256 MB	256 MB
768 MB	256 MB	512 MB
1 GB	512 MB	512 MB
2 GB	1024 MB	1024 MB

本 LifeBook 電腦具有在雙通道記憶模式下運行的能力。為了能充分體現雙通道運行的性能所帶來的益處，建議您使用 Fujitsu 記憶體模塊升級記憶體模塊，使記憶體槽中的兩塊記憶體模塊為相同容量和規格。

安裝記憶體模塊

若要安裝記憶體，請執行以下步驟。

警告

- 安裝任何記憶體模塊之前，請記住關閉電腦，並斷開交流轉接器。
- 將外蓋、金屬罩和螺絲等小物件放在小孩和兒童無法接觸到的地方。萬一吞入這些小物件則可能導致窒息。一旦發生上述意外，請立即就醫。

注意

- 電腦長時間開啟時記憶體插槽周圍的一些組件溫度會非常高。
為避免燙傷，請不要在關機之後立即安裝或取出記憶體模塊，而應等到內部組件冷卻之後再進行操作。

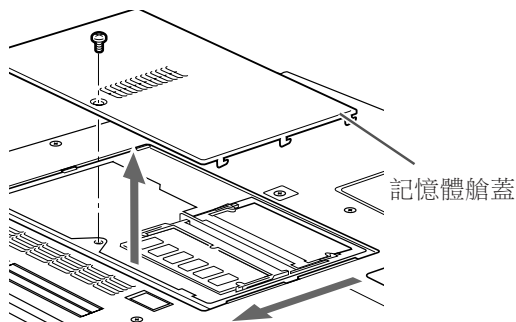


注意

- 安裝或取出記憶體時，必須拿住它的邊緣，並小心不要碰到任何部件和 IC。
- 記憶體是由對人體靜電很敏感的材料製成。在拿記憶體之前，應始終先觸摸金屬物，使您身上的靜電得以釋放。
- 開始安裝或取出記憶體模塊之前，請記住先關閉電腦。當取出記憶體時如果電腦處於待機或睡眠模式，則資料可能丟失或損壞。另外還會損壞記憶體模塊。

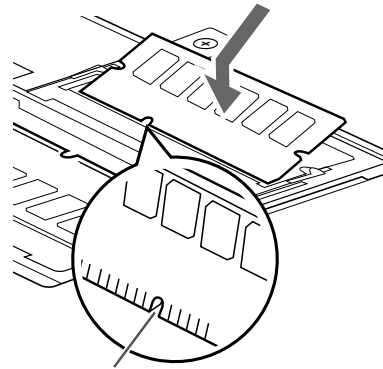
1. 關閉電腦並斷開交流轉接器連接。
2. 關閉 LCD 面板，然後將電腦顛倒放置。
3. 卸下用於保護記憶體艙槽蓋的螺絲（2 個），然後取下蓋子。

取下電腦底部的記憶體艙蓋。



4. 安裝記憶體模塊

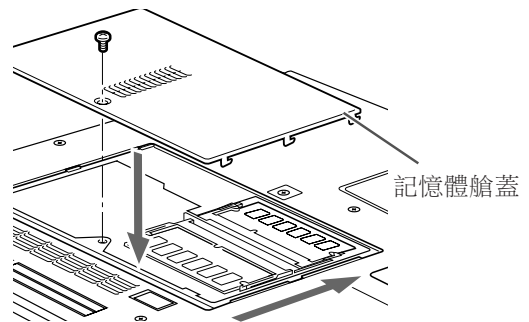
將記憶體模塊內的槽口對準連接器上的突出部位插入槽內，然後向下按記憶體模塊，直至聽到喀嗒聲鎖住記憶體。



模塊內槽口

5. 蓋上記憶體艙蓋，並用螺絲固定。

蓋上在步驟 3 中卸下的蓋子。



檢查記憶體容量

重要

- 如果記憶體安裝不正確，則開啟電腦時將顯示錯誤信息“Expansion memory error”。如果出現此類信息，請關閉電腦，取出記憶體模塊然後重新安裝。

1. 開啟電腦。
2. 按一下“開始”按鈕並選擇“控制台”。
出現“控制台”窗口。
3. 按一下“效能及維護”，然後按一下“系統”。
出現“系統內容”對話方塊。
4. 檢查下圖圓圈內的數字值是否增加了您添加的記憶體大小。
規格根據不同國家可能會有所變化。請向當地經銷商核實實際配置情況。
5. 按一下“確定”。

要點

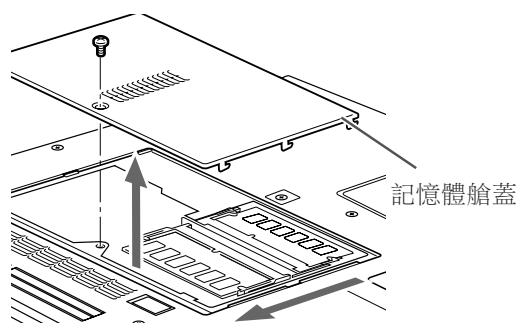
- 如果顯示的數值與電腦的記憶體容量不相符，則檢查剛安裝的記憶體模塊。

更換記憶體模塊

您可以用更大容量的記憶體模塊更換電腦中已經安裝的記憶體模塊。

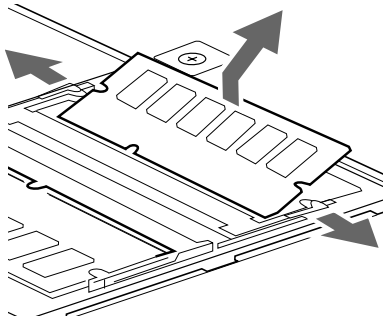
1. 關閉電腦並斷開交流轉接器連接。
2. 關閉 LCD 面板，然後將電腦顛倒放置。
3. 卸下用於保護記憶體艙槽蓋的螺絲（2 個），然後取下蓋子。

取下電腦底部的記憶體艙蓋。



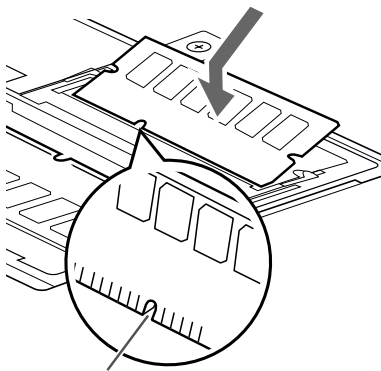
4. 取出記憶體模塊。

移動記憶體兩側的卡鉤。記憶體模塊稍稍抬起。對角向上拔記憶體模塊，將其脫離插槽。



5. 安裝新的記憶體模塊。

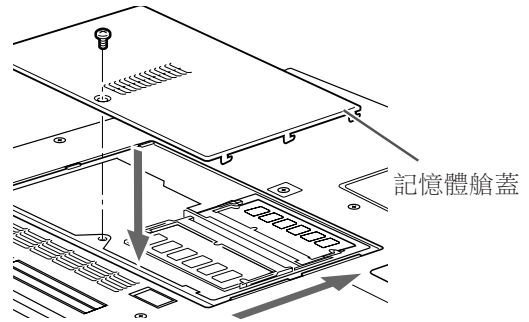
將記憶體模塊對角方向插入插槽，記憶體模塊中的槽口要對準連接器上的凸緣。按下記憶體模塊，直至卡入位並發出喀嗒聲。



記憶體模塊中的槽口

6. 蓋上記憶體艙蓋。

蓋上步驟 3 中取下的蓋子。



要點

- 安裝或取出記憶體模塊後，請查看電腦的記憶體容量，以檢查記憶體模塊安裝是否正確。

疑難解答

這款 Fujitsu LifeBook 筆記本電腦經久耐用，實際使用中很少發生問題。但是，您可能遇到一些能當場解決的簡單設置或操作問題，或者遇到可通過更換設備便能解決的週邊設備中的問題。這一部分中的信息幫助您找出和解決其中一些簡單的問題，以及識別需要維修的故障。

識別問題

如果遇到問題，請在尋求複雜的解決辦法之前，先執行以下步驟：

1. 關閉 LifeBook 電腦。
2. 確定交流轉接器已插接到電腦，並且已接入到通電的交流電源。
3. 確定 PC 卡插槽中安裝的所有卡都正確到位。您也可以從插槽中取出卡，從而排除由它引起故障的可能。
4. 確定外部接口上連接的所有設備都正確插接。您也可以斷開這些設備，從而排除由它們引起故障的可能。
5. 打開 LifeBook 電腦。在打開之前應確保已經關閉了至少 10 秒鐘。
6. 完成引導過程。
7. 如果問題沒有解決，請參閱隨後的“疑難解答表”，以獲得有關疑難解答信息的詳細說明。

要點

如果您對您所做的嘗試作記錄，客戶支援代表通過電話也許會更快地向您提出更多的建議。

8. 如果通過疑難解答表中建議的方法不能解決問題，請和客戶支援代表聯絡。

在電話聯絡之前，請準備好提供下列信息，這樣客戶支援代表就會盡可能最快地為您提供解決方法：

- 產品名稱
- 產品設置號
- 產品系列號
- 購買日期
- 在何種情況下產生問題
- 顯示的錯誤信息
- 硬體設置
- 若連接週邊設備，請說明設備的類型

關於設置號和系列號，請查看 LifeBook 電腦底部的設置標籤。

具體問題

使用疑難解答表

當您遇到 LifeBook 電腦出現問題時，請嘗試在疑難解答表的“問題”一欄中找出問題症狀。在“可能的原因”下面，您可以找到該症狀常見原因的說明。按照“可能的解決方案”一欄的說明解決問題。並非所有可能的原因或解決方案都適用於您的 LifeBook 電腦。

疑難解答表

問題	可能的原因	可能的解決方案
音頻問題		
內建揚聲器不發出聲音。	軟體音量控制設置得太低。	調整軟體、作業系統和應用程式中的音量控制設置。
	耳機插入了 LifeBook 電腦。	插入耳機會禁用內建揚聲器，請取下耳機。
	BIOS 音頻設置不正確。	在 Multimedia Device Configuration (多媒體設備設置) 選單中將 BIOS 設置公用程式設置為預設值。
	軟體驅動程式設置不正確。	請參閱應用程式和作業系統說明文檔以獲得幫助。
	已經使用系統盤上的音量圖示關閉了揚聲器音量。	按一下屏幕右下角工具盤中的音量圖示。(該圖示像一個喇叭。) 如果選擇了 Mute 方塊，則在方塊上再按一下取消選擇。
DVD/CD-RW/CD-ROM 光碟機問題		
LifeBook 電腦無法識別 DVD/CD-RW/CD-ROM。	保護片還在 DVD/CD-RW/CD-ROM 光碟機托盤內。	從 DVD/CD-RW/CD-ROM 光碟驅動器托盤取出保護片。
	DVD/CD-RW/CD-ROM 未按入光碟機突起的中心圓。	打開 DVD/CD-RW/CD-ROM 托盤，然後重新正確放入 DVD/CD-RW/CD-ROM。
	DVD/CD-RW/CD-ROM 托盤未鎖住。	按 DVD/CD-RW/CD-ROM 托盤正面，直至其鎖住。
	未正確安裝 DVD 播放器或 DVD 播放器軟體。	安裝 DVD 播放器軟體。

問題	可能的原因	可能的解決方案
DVD/CD-RW/CD-ROM 光碟機問題		
LifeBook 電腦無法識別 DVD/CD-RW/CD-ROM。 (續)	錯誤的光碟機標誌符用於了應用程式中的 DVD/CD-RW/CD-ROM。	檢查應用程式使用的光碟機標誌符與作業系統使用的相同。 當作業系統從 DVD/CD 引導時，光碟機標誌會自動調整。
	Windows DVD/CD-RW/CD-ROM 自動插入功能被禁用。	從桌面或應用程式軟體啟動 DVD/CD-RW/CD-ROM，或重新開啟 Windows DVD/CD-RW/CD-ROM 自動插入功能。
	DVD/CD-RW/CD-ROM 髒了或有損壞。	用無摩擦 CD 清潔布擦拭 DVD/CD-RW/CD-ROM，然後重新插入。如果仍然無法工作，請在光碟機中替換其它 DVD/CD-RW/CD-ROM。
當托盤中沒有 DVD/CD-RW/CD-ROM 時，或者未安裝光碟機時，操作狀態指示燈面板上的 DVD/CD-RW/CD-ROM 存取指示燈以一定的時間間隔閃爍。	Windows DVD/CD-RW/CD-ROM 自動插入功能為開啟狀態，並正在檢查 DVD/CD-RW/CD-ROM 是否可以運行。	這是正常現象。但您可以關閉此功能。
連接埠替代物問題		
注：將印表機新增到連接埠替代物並行連接埠之前必須關閉 LifeBook 電腦。		
當安裝了選購件連接埠替代物時，LifeBook 電腦無法開啟。	未插入連接埠替代物的交流轉接器插頭。	向連接埠替代物通電。
	電腦未正確放置在連接埠替代物中。	取出 LifeBook 電腦然後重新裝入。

問題	可能的原因	可能的解決方案
軟式磁碟機問題		
無法存取軟碟。	您試圖寫入寫保護軟碟。	退出軟碟，然後將其設定為可寫入狀態。
	軟碟未正確裝入。	退出軟碟，檢查軟碟方向並重新插入。
	軟式磁碟機可能未正確安裝。	取出軟式磁碟機並重新安裝。
	安全功能設定為保護軟式磁碟資料的存取。	檢查您的密碼和安全設置。
硬碟磁碟機問題		
不能存取硬碟磁碟機。	設置公用程式對您的互聯網 (Primary Master) 或選購件第二硬碟磁碟機 (Primary Slave) 進行了錯誤的設定。	修改 BIOS 設置以正確設置 Primary Master 和 Primary Slave。
	當可引導 CD-ROM 用來啟動 LifeBook 電腦時，應用程序使用了錯誤的硬碟磁碟機標誌符。	檢查應用程式使用的磁碟機標誌符也在由作業系統使用。當作業系統從光盤引導時，磁碟機標誌符會自動調整。
	設置了安全功能，如果不輸入密碼，就不能啟動作業系統。	檢查您的密碼和安全設置。
鍵盤或滑鼠問題		
內建鍵盤好像不工作。	電腦進入了暫停模式。	按一下電源 / 暫停 / 恢復按鈕。
	應用程式鎖定了鍵盤。	嘗試使用集成的指點設備重新啟動系統。

問題	可能的原因	可能的解決方案
鍵盤或滑鼠問題		
您安裝了外部鍵盤或滑鼠，但它們好像不工作。	外部設備安裝不正確。	重新安裝設備。
	您的作業系統軟體沒有使用該設備正確的軟體驅動程式進行設置。	檢查設備和作業系統說明文檔，激活正確的驅動程式。
	滑鼠或鍵盤被連接到選購連接埠替代物上錯誤的 PS/2 埠。	將滑鼠插入 PS/2 滑鼠埠，外部鍵盤或數字鍵盤插入 PS/2 鍵盤埠。
您連接了外部鍵盤或滑鼠，但它們好像鎖定了系統。	您的作業系統軟體沒有使用該設備正確的軟體驅動程式進行設置。	檢查設備和作業系統說明文檔，激活正確的驅動程式。
	您的系統已崩潰。	嘗試重新啟動電腦。
記憶體問題		
開機畫面或 BIOS 設置公用程式信息主選單沒有顯示安裝的正確內存容量。	記憶體升級模塊安裝不正確。	取出後重新安裝記憶體升級模塊。
	記憶體出現故障。	檢查開機自檢 (POST) 信息。
數據機問題		
關於數據機操作的信息。	關於數據機操作的信息由正在使用的數據機應用程式產生。	請參閱您的應用程式軟體說明文檔，以獲得更多信息。

問題	可能的原因	可能的解決方案
並行、串行和 USB 設備問題		
您已經安裝了並行埠設備、串行埠設備或 USB 設備。您的 LifeBook 電腦無法識別該設備，或該設備似乎未正常工作。	設備安裝不正確。	移除並重新安裝設備。
	可能在某一應用程式正在運行時安裝完該設備，因此您的電腦未能察覺該設備的安裝。	關閉此應用程式，並重新啟動您的電腦。
	您的設備可能沒有啟動正確的軟體驅動程式。	參閱軟體文件，並啟動正確的驅動程式。
	您可能為該設備選擇了錯誤的 I/O 位址。	參閱設備文件和軟體文件，以確定所需要的 I/O 位址。在 BIOS 設置公用程式中更改此設定。
	您的設備與另一設備被賦予相同的 I/O 位址。	檢查 BIOS 設置公用程式中所有 I/O 位址，以及其它安裝的硬體或軟體，確保沒有重複。
	並行埠僅設定至輸出。	在 BIOS 設置公用程式中檢查並行埠設定情況，並將其設定為雙向或 ECP。

問題	可能的原因	可能的解決方案
PC 卡問題		
PC 卡插槽中插入的卡不工作，或鎖定了系統。	卡安裝不正確。	取出後重新安裝該卡。
	可能在某一應用程式正在運行時安裝完該卡，因此您的電腦未能察覺該卡的安裝。	關閉此應用程式，並重新啟動您的電腦。
	您的軟體可能沒有啟動正確的軟體驅動程式。	參閱軟體文件，並啟動正確的驅動程式。
	您可能為 PC 卡選擇了錯誤的 I/O 位址。	參閱 PC 卡文件，以確定所需要的 I/O 位址。在 BIOS 設置公用程式中更改此設定。
	您的 PC 卡設備與另一設備被賦予相同的 I/O 位址。	檢查 BIOS 設置公用程式中所有 I/O 位址，以及其它安裝的硬體或軟體，確保沒有重複。
電源故障		
您打開了 LifeBook 電腦，但好像沒有任何反應。	安裝的主電池已完全放電，沒有安裝可選的第二個電池，或者沒有安裝電源轉接器（交流轉接器）。	檢查狀態指示燈面板以判斷有無電池以及電池的狀況。裝入已充電的電池或電源轉接器。
	主電池已安裝，但發生故障。	使用操作狀態指示燈面板檢查有無電池以及電池的狀況。如果電池指示發生短路，請取出該電池，使用另一個電源操作，或更換電池。
	電池電量不足。	檢查操作狀態指示燈面板以判斷有無電池以及電池的狀況。使用電源轉接器操作，直至電池充電，或裝入已經充電的電池。
	電源轉接器（交流轉接器）插接不正確。	檢查轉接器是否連接正確。

問題	可能的原因	可能的解決方案
電源故障		
<p>您打開了 LifeBook 電腦，但好像沒有任何反應。</p> <p>(續)</p>	<p>電源轉接器（交流轉接器）所連接的交流插座、飛機座位插孔或汽車點煙器沒有電。</p>	<p>將交流電源線插到另一個插座上，檢查一下交流插座的線路開關或觸發電路斷路器。</p>
	<p>電源轉接器（交流轉接器）發生故障。</p>	<p>試用一下其它電源轉接器，或裝入已經充電的可選第二個電池。</p>
<p>您的 LifeBook 電腦自行關機。</p>	<p>電源管理參數被設置為自動超時，但這個時限太短，不符合操作的需要。</p>	<p>按鍵盤上的任一按鈕，或移動一下滑鼠以恢復操作。如果這樣做不起作用，請按一下電源 / 暫停 / 恢復按鈕。檢查一下電源管理設置，或關閉應用程式，轉到設置公用程式的 Power Savings 選單調整超時值，以更好地適合您的需要。</p>
	<p>您現在只靠電池電源進行操作，並且忽略了電池電量不足警告，直至電池最終耗盡，電腦進入了電池耗盡暫停模式。</p>	<p>安裝電源轉接器，然後按電源 / 暫停 / 恢復按鈕。</p>
	<p>發生電池故障。</p>	<p>使用狀態指示燈面板檢查電池狀況，更換或卸下短路的電池。</p>
	<p>電源轉接器發生故障，或斷掉電源。</p>	<p>確定轉接器已插接到帶電的插座。</p>

問題	可能的原因	可能的解決方案
電源故障		
您的 LifeBook 電腦不能單獨靠電池工作。	安裝的電池已耗盡電量。	使用充電的電池更換電池，或安裝電源轉接器。
	沒有安裝電池。	安裝已經充電的電池。
	電池安裝不正確。	重新裝入電池，驗證電池安裝正確。
	安裝的電池發生故障。	使用操作狀態指示燈面板檢查電池狀況，更換或取出短路的電池。
電池好像放電太快。	由於頻繁存取硬碟磁碟機或存取 DVD/CD-ROM，以及使用數據機卡或 LAN PC 卡，您正在運行的應用程式使用了大量的電能。	如果有可能，請在運行此應用程式時同時使用主電池和選購的第二電池，或使用電源轉接器。
	節電功能可能已被禁用。	檢查 Power Savings 選單中的電源管理和 / 或設置公用程式設定，並根據您的操作需要進行調整。
	亮度調得最高。	調低亮度。亮度越高，顯示器使用的電量也越高。
	電池太舊。	更換電池。
	電池遭受過高溫。	更換電池。
	電池溫度太高或太低。	將電腦恢復到正常的操作溫度。當電池超出操作範圍時，操作狀態指示燈面板上的充電圖示會閃爍。

問題	可能的原因	可能的解決方案
開機和關機問題		
電源 / 暫停 / 恢復 按鈕不工作。	在設置公用程式的 Power (電源) 選單的 Advanced (進階) 子選單中將電源 / 暫停 / 恢復按鈕設定為禁用。	從設置公用程式中啟用該按鈕。
	您按下按鈕的時間不夠長。	按住按鈕的時間長一些。如果您的應用程式不讓 CPU 檢查按鈕，這可能需要幾秒鐘。
	可能出現與應用程式軟體的衝突。	關閉所有應用程式，然後重按一下按鈕。
系統已加電，並且顯示開機信息，但無法載入作業系統。	設置公用程式的引導過程設置與您的設置不相容。	當 Fujitsu 標誌出現在屏幕上時，通過按 [ESC] 鍵設置操作源，或使用 [F2] 鍵進入設置公用程式，在 Boot (引導) 選單中調整源設置。
	您的系統被保護，載入作業系統時需要輸入密碼。	確定您有正確的密碼。進入設置公用程式，檢查 Security (安全) 設置，並做相應修改。
	未檢測到內部硬碟磁碟機。	使用 BIOS 設置公用程式或 Main (主) 選單內的 Primary Master 子選單，嘗試自動檢測內部硬碟磁碟機。
在電腦 (引導) 順序過程中屏幕上顯示錯誤信息。	開機自檢 (POST) 檢測到問題。	查看開機自檢 (POST) 信息，判斷問題的含義。並非所有信息都是錯誤，有些只是狀態指示器。

問題	可能的原因	可能的解決方案
開機和關機問題		
啟動電腦時出現更改設定參數。	在您更改 BIOS 設置後沒有儲存並退出 BIOS 設置公用程式，因而又回到了先前的設定。	確定您在退出 BIOS 設置公用程式時選擇了 Save Changes And Exit（儲存更改後退出）。
	BIOS CMOS 保持電池有故障。	聯絡客戶支援代理進行修理。 用戶不能自行修理這個部件。此部件的正常使用寿命為 3 至 5 年。
系統開啟或系統恢復時未開啟系統顯示。	系統可能有密碼保護。	查看操作狀態指示燈面板檢查安全圖示是否正在閃爍。如果指示燈正在閃爍，請輸入密碼。
視頻問題		
開啟電腦時內建顯示器空白。	有東西壓在 Closed Cover 開關上。	檢查 Closed Cover 開關。

問題	可能的原因	可能的解決方案
視頻問題		
開啟電腦時內建顯示器空白。 (續)	電腦設置為只使用外部顯示器。	在按住 [Fn] 鍵的同時按 [F10]，則可以更改發送顯示視頻的位置。每次按下這一組合鍵時，您都會跳到下一個選擇。這些選擇按順序排列依次為：內建顯示器，外部顯示器，內建顯示器及外部顯示器。
	顯示器角度和亮度設置不適合您的燈光條件。	移動顯示器和亮度控制，直至能完全看清楚。
	電源管理超時可能設定了非常短的時間間隔，您沒能注意到顯示器顯示並又關閉。	按鍵盤上的任何按鈕，或移動滑鼠恢復操作。如果仍然失敗，則按電源 / 暫停 / 恢復按鈕。(顯示器可能會由待機模式、自動暫停或視頻超時而關閉。)
LifeBook 電腦打開時發出一串嗶聲，內建顯示器為空白。	開機自檢 (POST) 檢測到不允許顯示器再繼續操作的故障。	請與客戶支援代理聯絡。
在使用一段時間之後顯示器自行進入空白狀態。	由於您在一段時間內沒有使用，電腦已進入了視頻超時、待機模式、暫停模式或保存至硬碟模式。	按鍵盤上的任一按鈕，或移動一下滑鼠以恢復操作。如果這樣做不起作用，請按一下電源 / 暫停 / 恢復按鈕。檢查一下電源管理設置，或關閉應用程式，轉到設置公用程式的 Power Savings (節能) 選單調整超時值，以更好地適合您的操作需要。
	電源管理超時可能設定了非常短的時間間隔，您沒能注意到顯示器顯示並又關閉。	按鍵盤上的任何按鈕，或移動滑鼠恢復操作。如果仍然失敗，則按電源 / 暫停 / 恢復按鈕。(顯示器可能會由待機模式、自動暫停或視頻超時而關閉。)
	有東西壓在 Closed Cover 開關上。	檢查 Closed Cover 開關。

問題	可能的原因	可能的解決方案
視頻問題		
應用程式顯示只使用部分屏幕，四周是黑框。	您正在運行的應用程式不支援 800 x 600/1024 x 768 像素解析度顯示器，並啟用了顯示壓縮。	顯示壓縮使不支援 800 x 600/1024 x 768 像素解析度的應用程式顯示更清晰，但顯示變小。您可以更改顯示設定進行全屏顯示，但解析度下降，（請參閱 BIOS Advanced（進階）選單中的 Video Features（視頻功能）子選單。）
使用電池電源時顯示器很暗。	電源管理程式預設設定為低亮度顯示，以節約電能。	按 [Fn] + [F7] 增加亮度或按兩下電池標尺並調整電池設置下面的“電源控制”。
您連接了外部顯示器，但它不顯示任何信息。	BIOS 沒有設置為啟用外部顯示器。	通過同時按 [Fn] 和 [F10] 嘗試切換視頻目標，或檢查 BIOS 設置，啟用外部顯示器。（請參閱 BIOS Advanced（進階）選單中的 Video Features（視頻功能）子選單。）
	外部顯示器安裝不正確。	重新安裝設備。
	您的作業系統軟體沒有使用該設備正確的軟體驅動程式進行設置。	檢查設備和作業系統說明文檔，激活正確的驅動程式。
您連接了外部顯示器，但它不顯示任何畫面。	外部顯示器與 LifeBook 電腦不相容。	請參閱顯示器說明文檔和“技術規格”部分“外部顯示器支援”一節的內容。
其它問題		
在操作應用程式時屏幕上顯示錯誤信息。	應用程式軟體經常顯示自己的一組錯誤信息。	請參閱應用程式手冊和幫助顯示畫面以獲得更多信息。並非所有信息都是錯誤，有些只是指示狀態。