

ESPRIMO Mobile Series



We make sure

FUJITSU COMPUTERS
SIEMENS

Are there ...

... any technical problems or other questions that you would like help with?

Please contact:

- our Hotline/Help Desk (refer to the enclosed Help Desk List or go to: ["www.fujitsu-siemens.com/support/"](http://www.fujitsu-siemens.com/support/))
- your sales partner
- your sales office

Additional information is contained in the Help Desk list and the "Warranty" manual. The "Warranty" manual can be found on the supplied "Drivers & Utilities" CD/DVD.

Latest information on our products, tips, updates etc. can be found on our website at: ["www.fujitsu-siemens.com"](http://www.fujitsu-siemens.com)

This manual was produced by Xerox Global Services

Published by
Fujitsu Siemens Computers GmbH

AG 09/07

Edition 2

Order no.: A26391-K230-Z120-1-7619

ESPRIMO Mobile Series

EasyGuide

| | |
|--|-----------|
| Your ESPRIMO Mobile | 1 |
| Important notes | 3 |
| Ports and operating elements | 4 |
| Removing and installing components during servicing | 23 |
| Technical data | 30 |
| Index | 31 |

Adobe and Acrobat are trademarks of Adobe Systems Incorporated and may be protected in certain countries.

The Bluetooth trademarks are the property of Bluetooth SIG, Inc., U.S.A. and licensed to Fujitsu Siemens Computers GmbH.

Intel is a registered trademark, Core is a trademark of Intel Corporation, USA.

Kensington and MicroSaver are registered trademarks of ACCO World Corporation.

Macrovision is a trademark of Macrovision Corporation, USA.

Microsoft, MS, MS-DOS, Windows, Vista and Windows NT are registered trademarks of Microsoft Corporation.

All other trademarks referenced are trademarks or registered trademarks of their respective owners, whose protected rights are acknowledged.

Copyright © Fujitsu Siemens Computers GmbH 2007

All rights reserved, including rights of translation, reproduction by printing, copying or similar methods, in part or in whole.

In the event of violations, perpetrators will be liable to prosecution for damages.

All rights reserved, including rights created by patent grant or registration of a utility model or design.

Subject to availability and technical modifications.

Contents

| | |
|---|-----------|
| Your ESPRIMO Mobile | 1 |
| Notational conventions | 2 |
| Important notes | 3 |
| Ports and operating elements | 4 |
| ESPRIMO Mobile U9200 | 5 |
| ESPRIMO Mobile M9400 | 6 |
| ESPRIMO Mobile D9500 | 7 |
| Switching on the notebook | 8 |
| Switching off the Notebook | 9 |
| Status indicators | 10 |
| Key combinations | 12 |
| Camera (depending on notebook model) | 14 |
| Removing and installing the battery | 15 |
| Removing the battery | 15 |
| Inserting the battery | 15 |
| Removing/fitting the second battery/travel battery (optional) | 16 |
| Installing the battery | 16 |
| Removing the battery | 18 |
| SIM card | 20 |
| Inserting the SIM card | 20 |
| Removing the SIM card | 21 |
| Radio components: Wireless LAN/Bluetooth/UMTS | 22 |
| Switching the radio components on and off | 22 |
| Removing and installing components during servicing | 23 |
| Notes on installing and removing boards and components | 23 |
| Hard disk | 24 |
| Removing the hard disk | 24 |
| Installing the hard disk | 25 |
| Removing and installing memory modules | 26 |
| Removing the cover | 27 |
| Removing memory modules | 27 |
| Installing a memory module | 27 |
| Attaching the cover | 28 |
| Removing and installing the optical drive | 29 |
| Removing the optical drive | 29 |
| Installing the optical drive | 29 |
| Technical data | 30 |
| Notebook | 30 |
| Battery | 30 |
| Mains adapter | 30 |
| Index | 31 |

Your ESPRIMO Mobile

...offers you innovative technology and ergonomic design. This makes your notebook a reliable, convenient mobile PC.

Your notebook is available in several different versions. Most of the sections in this manual apply to all models - any differences are pointed out separately. Some of the illustrations and features in this manual may differ from your model and are for guidance only.

Your Windows operating system is already pre-installed and optimally configured. That means you're ready to start when you switch on your notebook for the first time.

Your notebook features the very latest technology so that you get the best performance from your computing experience. Depending on which model you own, you have access to:

- up to 4 GB of main memory (RAM)
- a CD/DVD burner-DVD for watching DVD movies and writing your own CDs and DVDs
- an S-Video out socket for connecting your notebook to your television
- an integral camera for snapshots and video chat (depending on model)
- several USB ports, providing simple expansion options for game pads, printers and more
- an internal modem for connecting to the Internet
- a memory card slot for transferring digital photos, music and videos quickly onto your notebook
- an ExpressCard slot for operating an ExpressCard/34 or ExpressCard/54 (depending on your variant of the device)
- a SIM card slot that can be used to operate a SIM card (depending on model)
- an integrated audio controller and two stereo speakers. You can even connect a microphone and external speakers for even better sound performance.

With the user-friendly *BIOS-Setup* you can control the hardware of your notebook and protect your system better against unauthorised access by using the powerful password features.

This operating manual describes how to get your notebook up and running and how to use it.





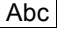
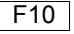
Further information on this notebook is provided:

- In the "Professional Notebook" Operating Manual
- In the "Safety" and "Warranty" manuals
- in the documentation of the operating system
- in the information files (e.g. *.TXT, *.DOC, *.WRI, *.HLP, *.PDF)



You can find information on accessories for your Notebook at ["www.fujitsu-siemens.com/accessories"](http://www.fujitsu-siemens.com/accessories).

Notational conventions

| | |
|---|--|
|  | Pay particular attention to text marked with this symbol. Failure to observe this warning will endanger your life, will damage the device or lead to loss of data. The warranty will be invalidated if you cause defects in the device through failure to take notice of this warning |
|  | indicates important information that is required to use the device properly. |
|  | indicates an activity that must be performed in the order shown |
|  | indicates a result |
| This style | flags data entered using the keyboard in a program dialog or command line, e.g. your password (Name123) or a command to launch a program (start.exe) |
| This style | refers to information displayed by a program on the screen, e.g.: Installation is completed |
| <i>This style</i> | is for <ul style="list-style-type: none"> terms and texts in a software user interface, e.g.: Click <i>Save</i>. names of programs or files, e.g. <i>Windows</i> or <i>setup.exe</i>. |
| "This style" | is for <ul style="list-style-type: none"> cross-references to another section, e.g. "Safety information" cross-references to an external source, e.g. a web address: For more information, go to "www.fujitsu-siemens.com" indicates names of CDs and DVDs as well as names and titles of other materials, e.g.: "CD/DVD Drivers & Utilities" or "Safety" manual |
|  | refers to a key on the keyboard, e.g.:  |
| This style | flags concepts and text that are emphasised or highlighted, e.g.: Do not switch off device |

Important notes



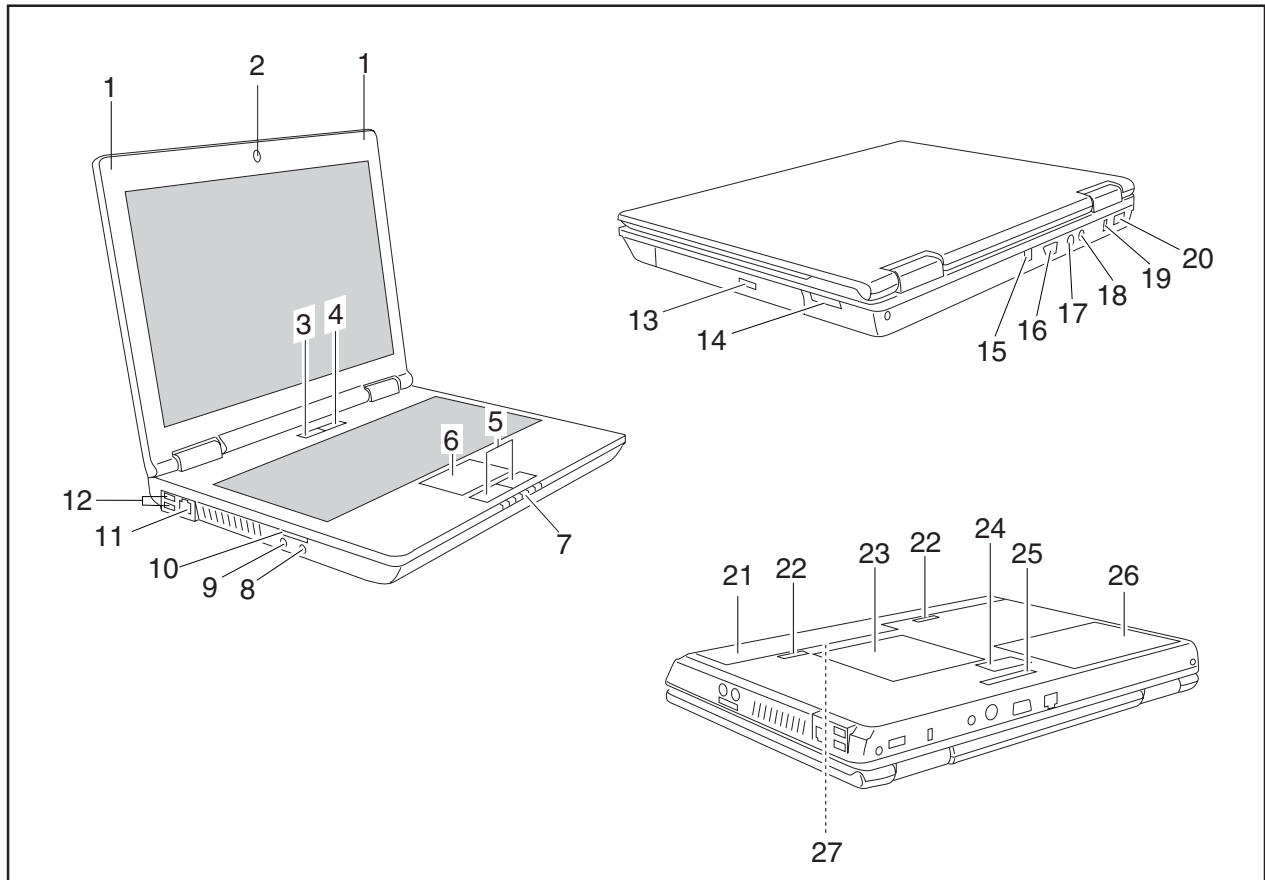
Take note of the safety hints provided in the "Safety" manual, in the "Professional Notebook" operating manual and in this manual.

Ports and operating elements

This chapter presents the individual hardware components. This will provide you with an overview of the ports and operating elements on the notebook.

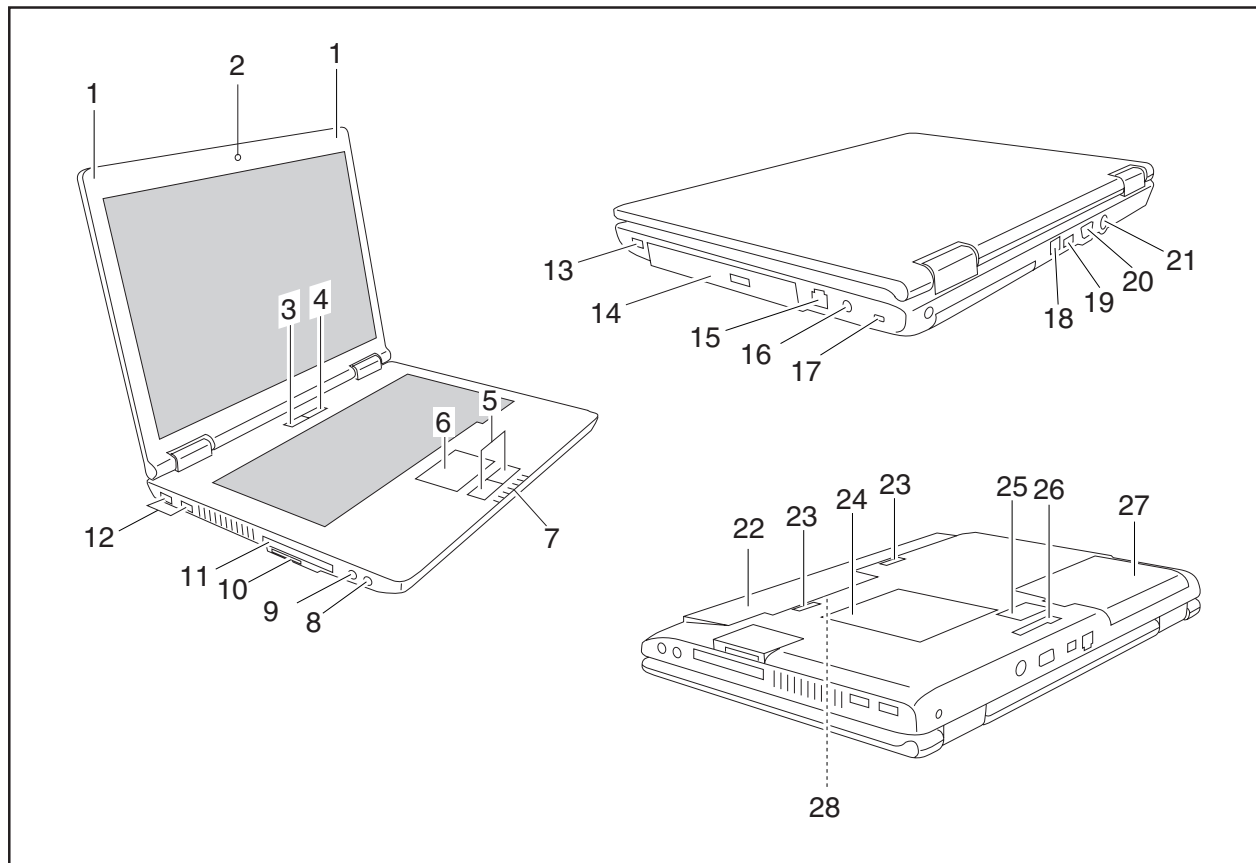
Please familiarise yourself with these components before you start working with your notebook.

ESPRIMO Mobile U9200



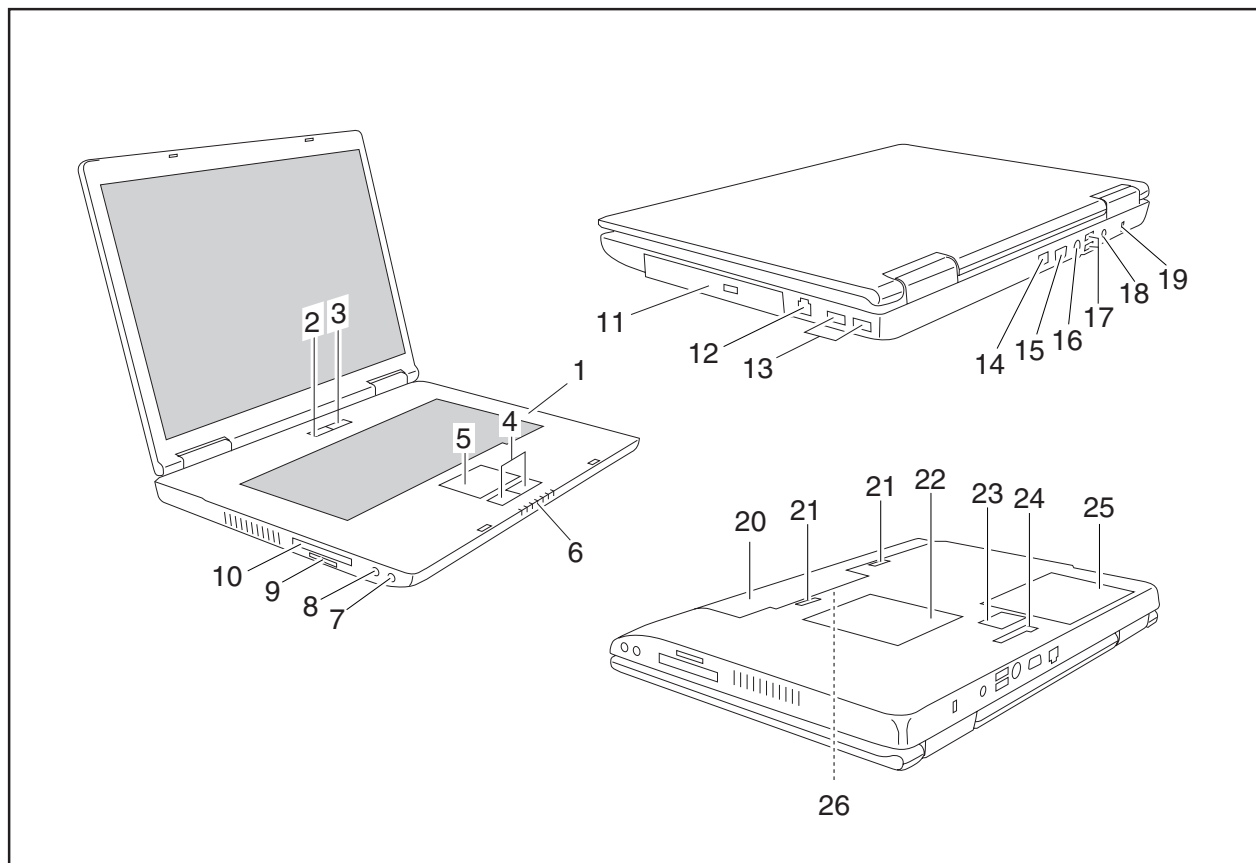
- | | |
|--|---|
| 1 = Microphone | 16 = Monitor port |
| 2 = Camera | 17 = S-Video out socket |
| 3 = ON/OFF switch for radio components | 18 = DC jack (DC IN) |
| 4 = ON/OFF switch | 19 = Kensington Lock |
| 5 = Touchpad buttons | 20 = USB port |
| 6 = Touchpad | 21 = Battery |
| 7 = Status indicators | 22 = Battery release latch |
| 8 = Headphone port | 23 = Service compartment (memory) |
| 9 = Microphone port | 24 = Connector for second battery (travel battery) |
| 10 = Memory card slot | 25 = Connection for port replicator |
| 11 = Modem port | 26 = Service compartment (hard disk) |
| 12 = USB ports | 27 = SIM card slot (concealed in the battery compartment) |
| 13 = Optical drive | |
| 14 = ExpressCard slot for ExpressCard/34 | |
| 15 = LAN port | |

ESPRIMO Mobile M9400



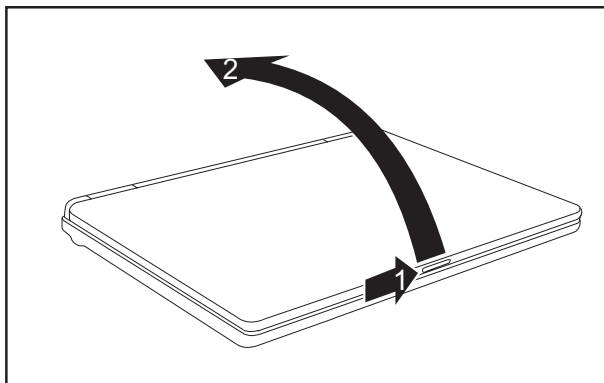
- | | |
|---|---|
| 1 = Microphone | 16 = DC jack (DC IN) |
| 2 = Camera (optional) | 17 = Kensington Lock |
| 3 = ON/OFF switch for radio components | 18 = LAN port |
| 4 = ON/OFF switch | 19 = USB port |
| 5 = Touchpad buttons | 20 = Monitor port |
| 6 = Touchpad | 21 = S-Video out socket |
| 7 = Status indicators | 22 = Battery |
| 8 = Headphone port | 23 = Battery release latch |
| 9 = Microphone port | 24 = Service compartment (memory) |
| 10 = Memory card slot | 25 = Connector for second battery (travel battery) |
| 11 = ExpressCard slot for ExpressCard/34 and ExpressCard/54 | 26 = Connection for port replicator |
| 12 = USB ports | 27 = Service compartment (hard disk) |
| 13 = USB port | 28 = SIM card slot (concealed in the battery compartment) |
| 14 = Optical drive | |
| 15 = Modem port | |

ESPRIMO Mobile D9500

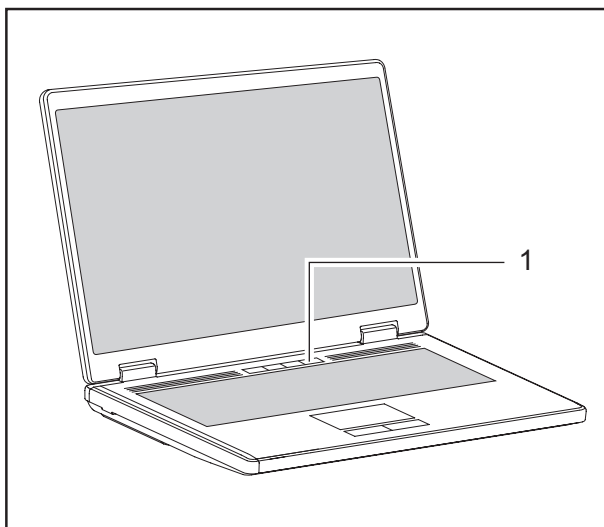


- | | |
|---|---|
| 1 = Microphone | 15 = Monitor port |
| 2 = ON/OFF switch for radio components | 16 = S-Video out socket |
| 3 = ON/OFF switch | 17 = USB port |
| 4 = Touchpad buttons | 18 = DC jack (DC IN) |
| 5 = Touchpad | 19 = Kensington Lock |
| 6 = Status indicators | 20 = Battery |
| 7 = Headphone port | 21 = Battery release latch |
| 8 = Microphone port | 22 = Service compartment (memory) |
| 9 = Memory card slot | 23 = Connector for second battery (travel battery) |
| 10 = ExpressCard slot for ExpressCard/34 and ExpressCard/54 | 24 = Connection for port replicator |
| 11 = Optical drive | 25 = Service compartment (hard disk) |
| 12 = Modem port | 26 = SIM card slot (concealed in the battery compartment) |
| 13 = USB ports | |
| 14 = LAN port | |

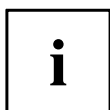
Switching on the notebook



- ▶ On devices with a release button: Slide the release button in direction of the arrow (1).
- ▶ Lift up the LCD screen (2).



- ▶ Press the ON/OFF switch (1) for around 1 second to switch the notebook on.
- ↳ The power-on indicator lights up.



Windows XP

You can configure the power button with *Start - (Settings) - Control Panel - Performance and Maintenance - Power Options - Advanced*.

Windows Vista

You can configure the power button with *Start - (Settings) - Control Panel - Mobile PC - Power Options*.

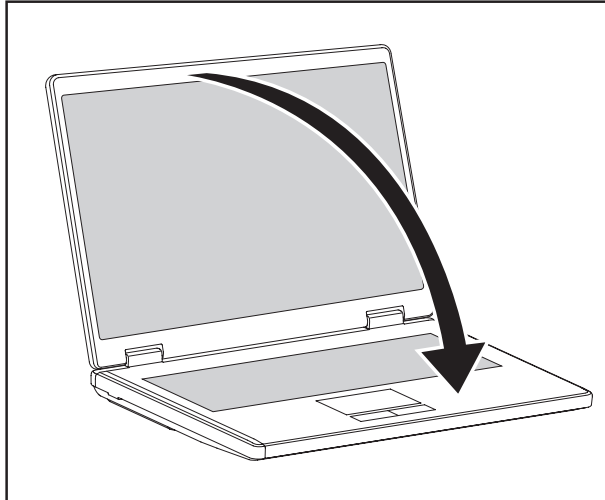
If you have assigned a password, you must enter this when requested to do so, in order to start the operating system. Further information can be found in the "Professional Notebook" operating manual, section entitled "Security functions".

Switching off the Notebook

- ▶ Close all applications and shut down your operating system (please see operating system manual).



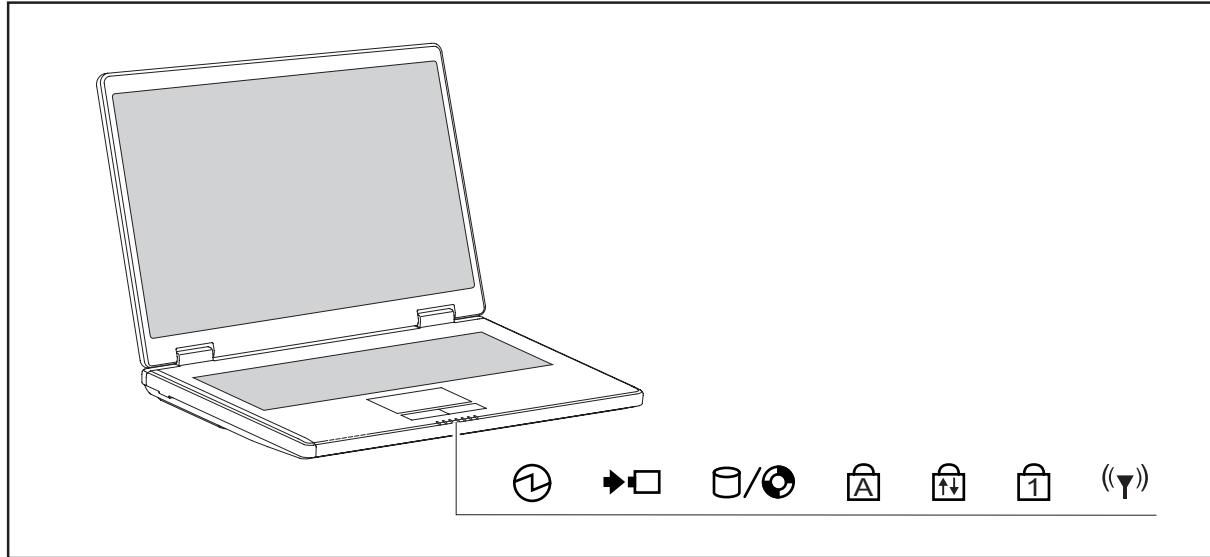
If the notebook cannot be shut down properly, press and hold the ON/OFF button for approximately four seconds. The notebook will switch off. Any unsaved data may be lost.



- ▶ Close the LCD screen.

Status indicators

The status indicators provide information about the status of the power supply, the drives and the keyboard functions.



Power-on indicator



Battery charging indicator



Hard disk indicator



Caps Lock indicator



Scroll Lock indicator



Num Lock indicator



Radio components indicator

The meanings of the symbols are as follows:

**Power-on indicator**

- Indicator is lit up: The notebook is switched on and ready to use.
- Indicator flashes: The notebook is in standby mode.
- The indicator is not lit up: The notebook is switched off.

**Battery charging indicator**

Indicator lights up: the battery is charging.

**Drive indicator**

Indicator lights up: one of the drives (e.g. hard disk, CD/DVD) is being accessed.

**Caps Lock indicator**

Indicator lights up: the Caps Lock key has been pressed.

All the characters you type appear in upper case. In the case of overlay keys, the character printed on the upper left of the key appears when that key is pressed.

**Scroll Lock indicator**

Indicator lights up: the key combination **Fn** + **Scroll Lock** has been pressed.

The effect this key has varies from programme to programme.

**Num Lock indicator**

Indicator lights up: the key combination **Fn** + **Num** has been pressed.

The numeric keypad is activated. In the case of overlay keys, the character printed on the upper right of the key appears when that key is pressed.

**Radio components indicator**

Indicator is illuminated: The radio components EasyLaunch key has been pressed. One or more radio components are switched on.

Key combinations

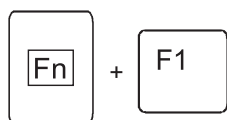
The key combinations described below apply when using Microsoft Windows operating systems. Some of the following key combinations may not function in other operating systems and with some device drivers.

Key combinations are entered as follows:

- ▶ Press and hold the first key in the combination.
- ▶ While holding the first key down, press the other key or keys in the combination.

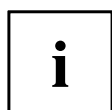


The key combination **Ctrl** + **Alt Gr** or **Ctrl** + **Alt** can be used on external keyboards that do not feature a **Fn** key.

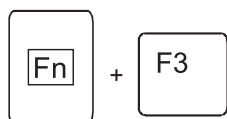


Switching the radio components on/off

Use this key combination to start *WirelessSelector*. The radio components that have been activated in *BIOS Setup* can be switched on and off individually.

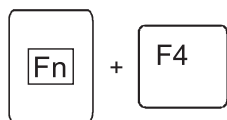


If the *WirelessSelector* program is not installed on your device, all of the radio components activated in the *BIOS Setup* can only be switched on and off together with **Fn** + **F1**.



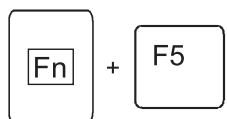
Switch loudspeakers ON/OFF

This key combination switches your notebook's loudspeakers off and on.



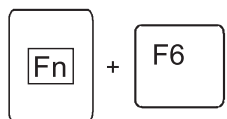
Decrease volume

This key combination reduces the volume of the integrated loudspeakers.



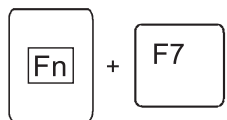
Increases volume

This key combination increases the volume of the integrated loudspeakers.



Switch touchpad ON/OFF

This key combination switches your notebook's touchpad off and on.



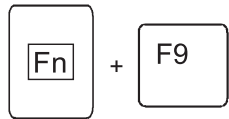
Switch camera ON/OFF (depending on your device)

Use this key combination to switch the notebook's integrated camera on or off.

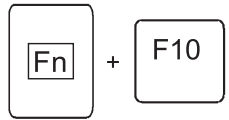


Decrease screen brightness

This key combination decreases the brightness of the screen.

**Increase screen brightness**

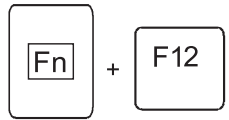
This key combination increases the brightness of the screen.

**Toggle output screen**

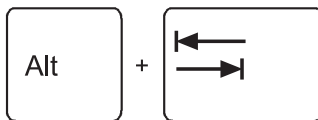
Use this key combination to select which screen(s) is/are used for display if an external monitor is connected.

You can opt to use:

- just the notebook's LCD screen
- just the external monitor
- both the LCD screen and the external monitor

**Sleep mode**

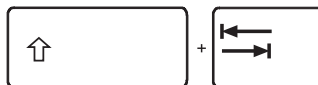
Use this key combination to activate the currently configured energy saving mode.

**Switching between open applications**

Use this key combination to switch between several open applications.

**Perform warm reboot**

This key combination restarts the notebook. First, press and hold both the **Ctrl** and **Alt** keys, then press the **Del** key. First, the Task Manager will be displayed. You must then press all three keys again to reboot.

**Back tab**

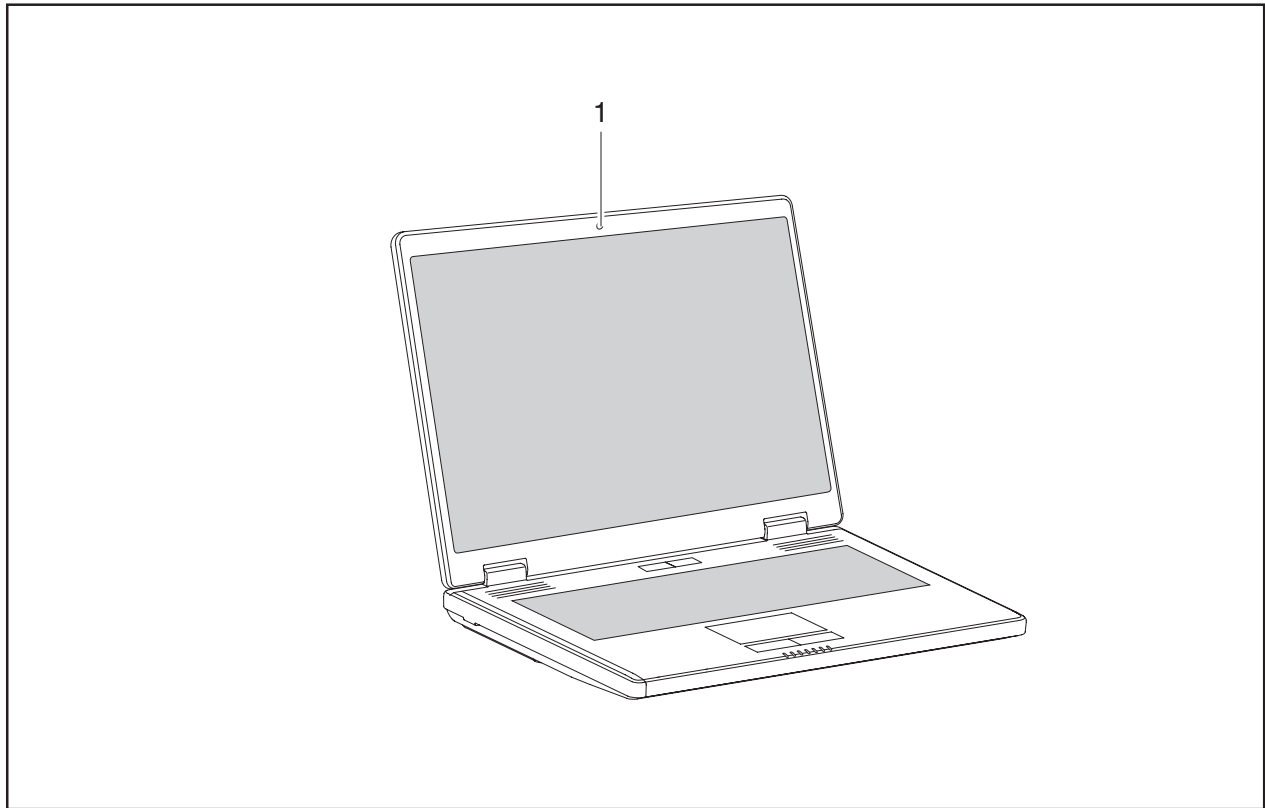
This key combination moves the cursor back to the previous tabular stop.



Key combinations using the Windows keys are detailed in the manual for your operating system.

Camera (depending on notebook model)

Your device is fitted with a VGA camera (1), which can also be used as a webcam.



Removing and installing the battery



Only use batteries approved by Fujitsu Siemens Computers for your notebook.

Never use force when inserting or removing a battery.

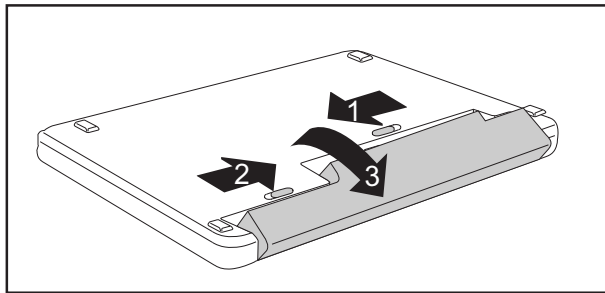
Make sure that no foreign bodies get into the battery connections.



The illustrations shown below may differ from your actual device. They are merely intended to clarify the principles involved.

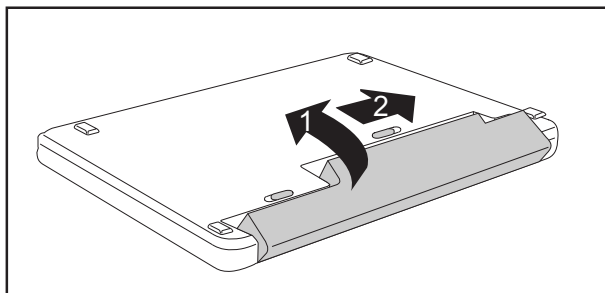
Removing the battery

- ▶ Switch the notebook off and pull the power plug out of the mains socket.
- ▶ Close the LCD screen.
- ▶ Disconnect all cables connected to the notebook.
- ▶ Turn your notebook over and place it on a stable, sturdy, flat surface. If necessary, lay an anti-slip cloth on this surface to prevent the notebook from being scratched.



- ▶ Push the battery lock in the direction of the arrow (1) as far as it will go.
- ▶ Slide the locking device in the direction of the arrow (2) and hold it in place.
- ▶ Remove the battery from the notebook in the direction of the arrow (3).

Inserting the battery



- ▶ Place the battery in the battery compartment so that the contacts enter first (1).
- ▶ Push the battery into the battery compartment until you feel it click into place.
- ▶ Push the battery lock in the direction of the arrow (2) up to the stop.

Removing/fitting the second battery/travel battery (optional)



Only use batteries approved by Fujitsu Siemens Computers for your notebook.

Never use force when fitting or removing a battery.

Make sure that no foreign bodies get into the battery connections.

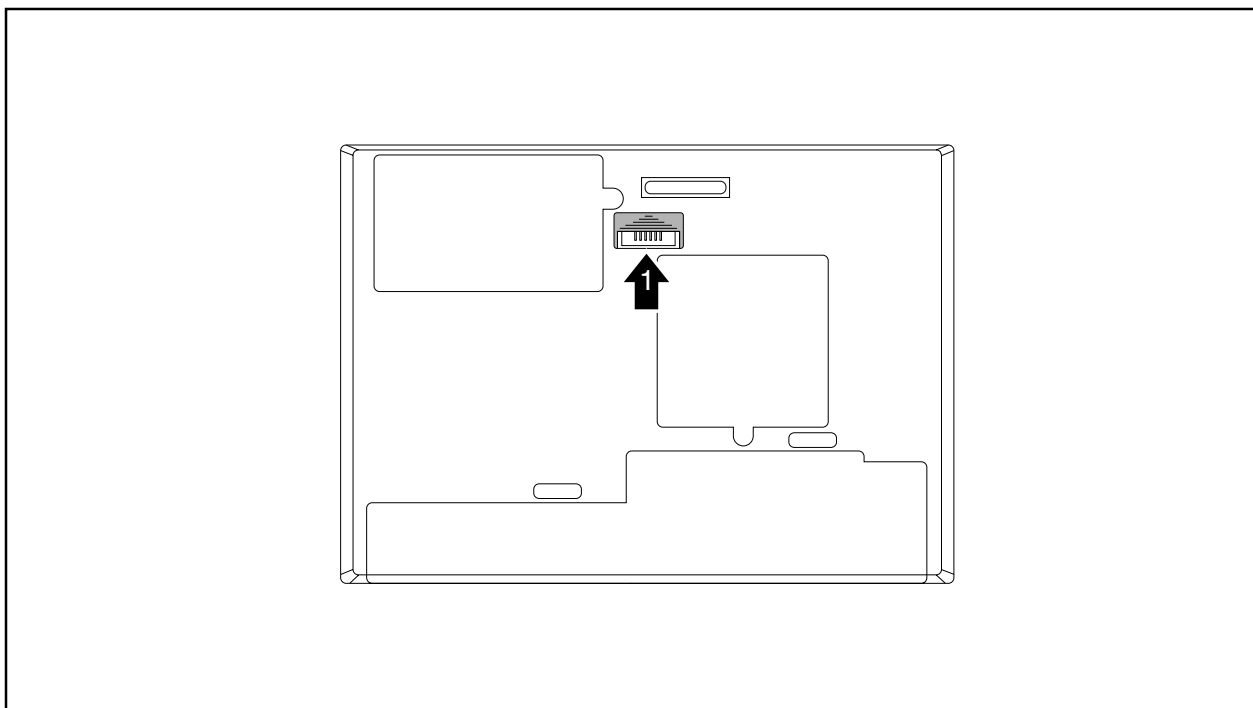
It is possible to fit a second battery/travel battery to your device. The underside of the device features a connector for this purpose.



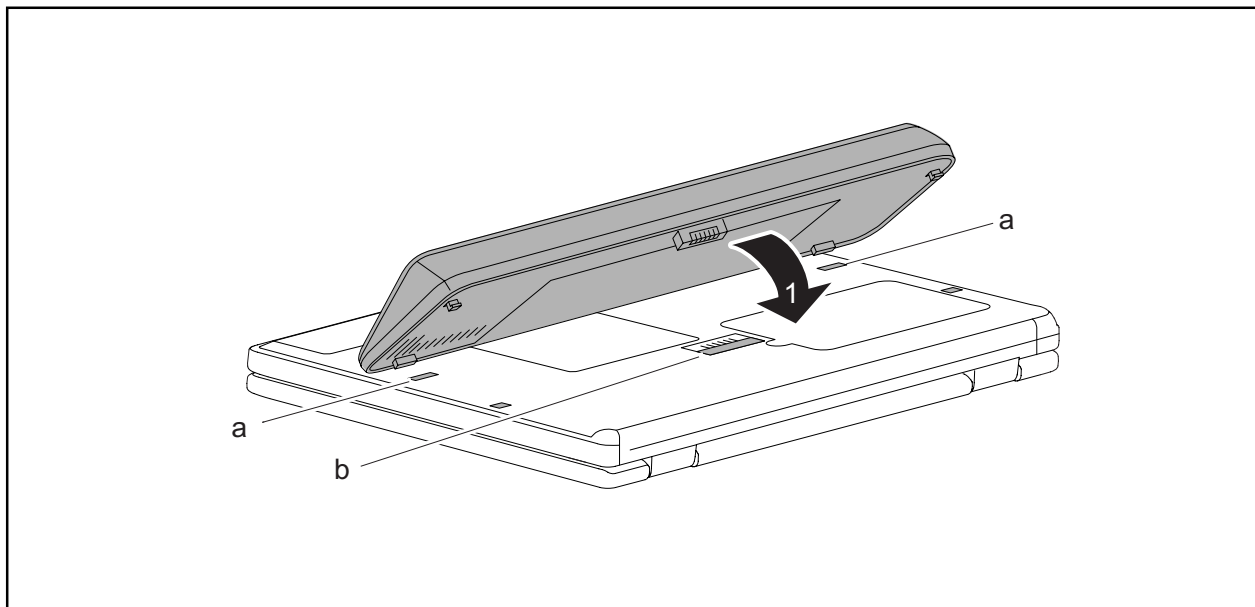
The illustrations shown below may differ from your actual device. They are merely intended to clarify the principles involved.

Installing the battery

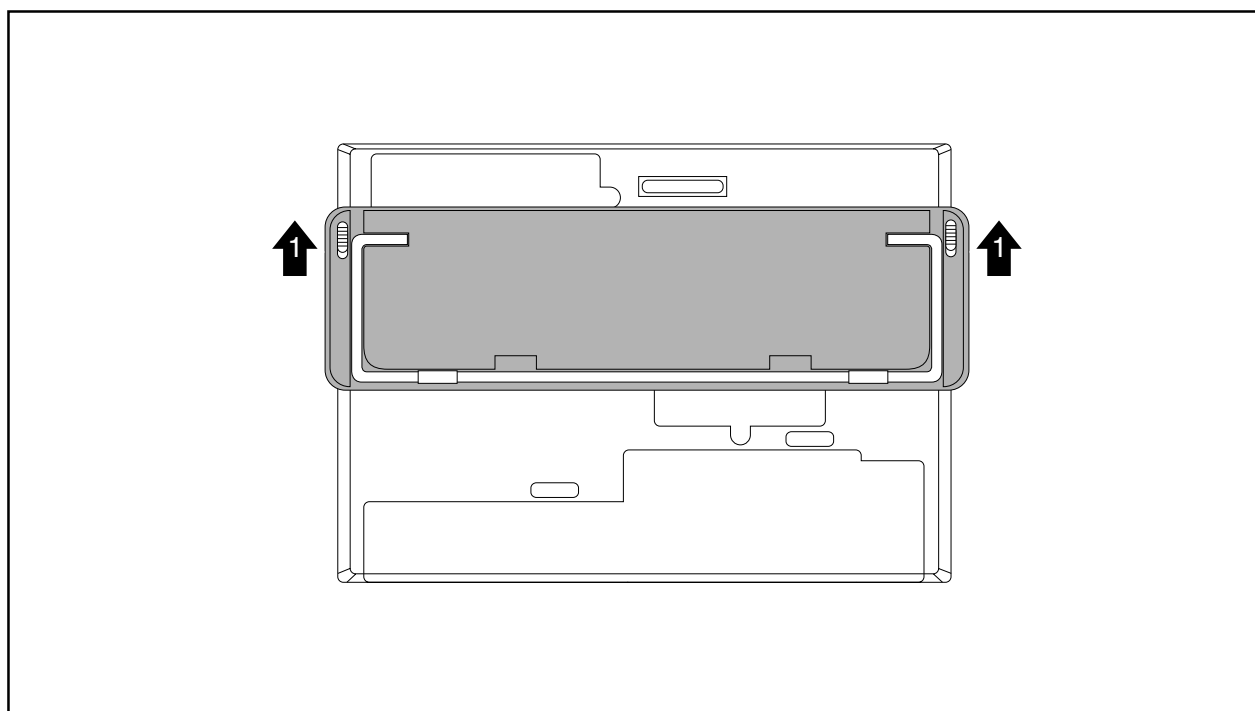
- ▶ Switch off your notebook and disconnect the power plug from the mains socket.
- ▶ Close the LCD screen.
- ▶ Disconnect all cables connected to the notebook.
- ▶ Turn your notebook over and place it on a stable, flat and clean surface. If necessary, lay a non-slip cloth on this surface to prevent the notebook from being scratched.



- ▶ Slide the cover for the battery connector in the direction of the arrow (1).



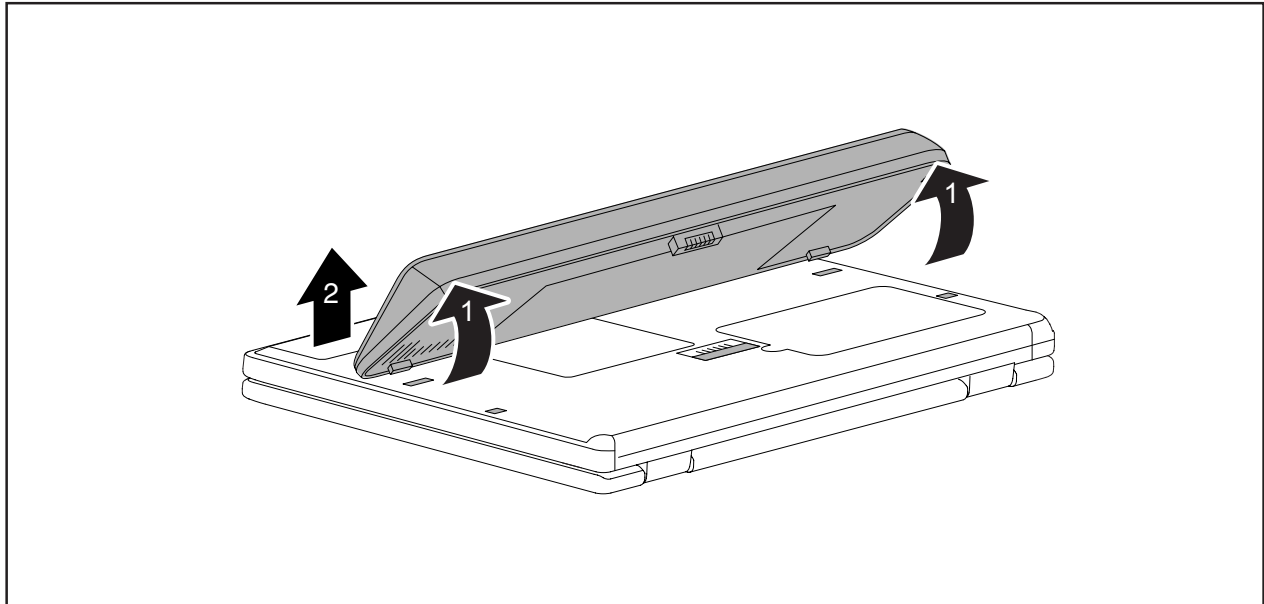
- ▶ First, locate the battery in the two slots (a).
- ▶ Fold the battery down into the battery connector in the direction of the arrow (1) until it locks into place.



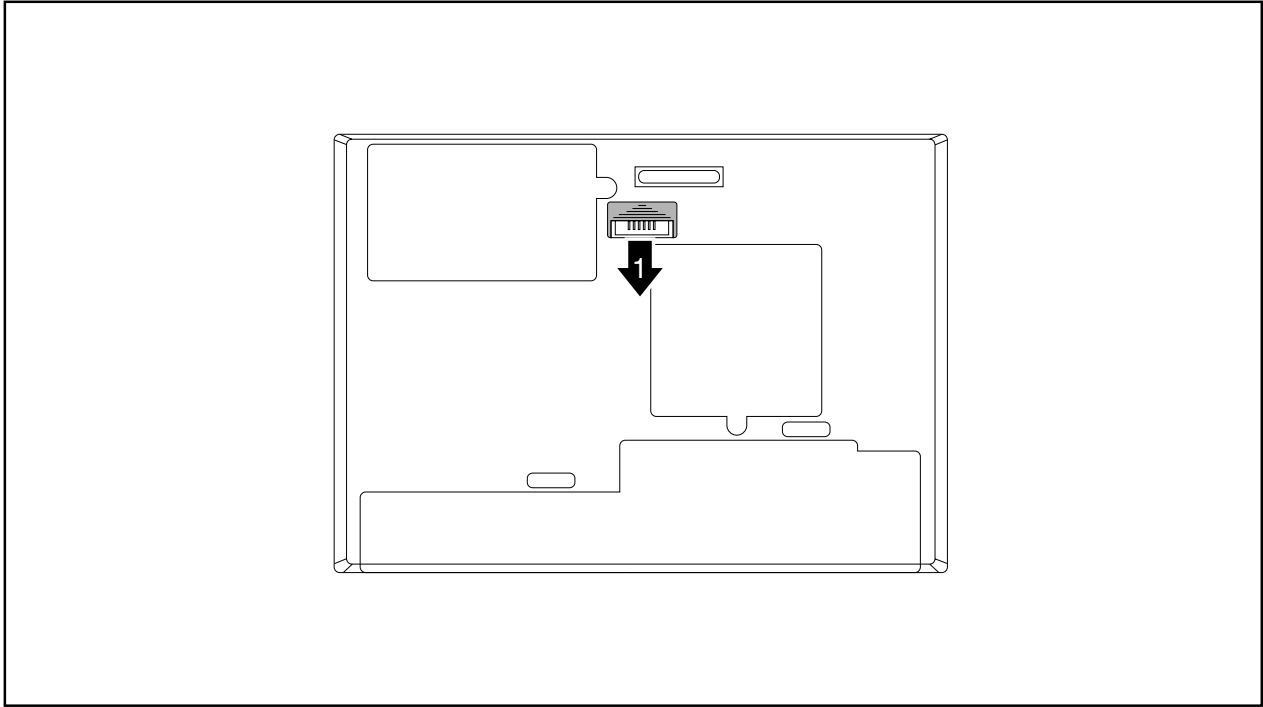
- ▶ Unfold the tilting device (1) on the battery, if present.

Removing the battery

- ▶ Switch off your notebook and disconnect the power plug from the mains socket.
- ▶ Close the LCD screen.
- ▶ Disconnect all cables connected to the notebook.
- ▶ Turn your notebook over and place it on a stable, flat and clean surface. If necessary, lay a non-slip cloth on this surface to prevent the notebook from being scratched.
- ▶ Fold in the tilting device on the battery, if present.



- ▶ Raise the battery at the rear corners (1) and lift out of the notebook from the front (2).



- ▶ Slide the cover for the battery connector in the direction of the arrow (1).

SIM card

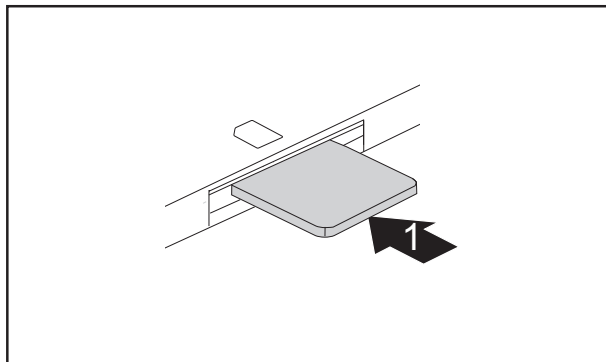


Follow the instructions supplied by the provider of the SIM card.

The SIM card slot is located in the battery compartment. It can only be accessed by taking out the battery.

Inserting the SIM card

- ▶ Switch the notebook off and pull the power plug out of the mains socket.
- ▶ Close the LCD screen.
- ▶ Disconnect all cables connected to the notebook.
- ▶ Turn your notebook over and place it on a stable, flat and clean surface. If necessary, lay an anti-slip cloth on this surface to prevent the notebook from being scratched.
- ▶ Remove the battery (see Section ["Removing the battery", Page 15](#)).

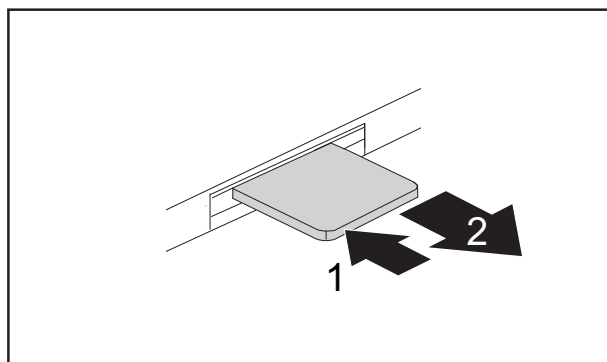


- ▶ Insert the SIM card into the slot so that the chip is facing downwards and the angled corner is at the front left, facing towards the slot (1). Ensure that you hear the SIM card click into place.

- ▶ Reinstall the battery (see ["Inserting the battery", Page 15](#)).
- ▶ Turn the notebook the right way up and place it on a flat surface.
- ▶ Reconnect the cables that you disconnected previously.

Removing the SIM card

- ▶ Switch the notebook off and pull the power plug out of the mains socket.
- ▶ Close the LCD screen so that it locks into place.
- ▶ Disconnect all cables connected to the notebook.
- ▶ Turn your notebook over and place it on a stable, flat and clean surface. If necessary, lay an anti-slip cloth on this surface to prevent the notebook from being scratched.
- ▶ Remove the battery (see Section ["Removing the battery", Page 15](#)).



- ▶ Push the SIM card inwards slightly to eject it from the slot (1).
- ▶ Pull the SIM card out of the slot in the direction of the arrow (2).

- ▶ Reinstall the battery (see ["Inserting the battery", Page 15](#)).
- ▶ Turn the notebook the right way up and place it on a flat surface.
- ▶ Reconnect the cables that you disconnected previously.

Radio components: Wireless LAN/Bluetooth/UMTS

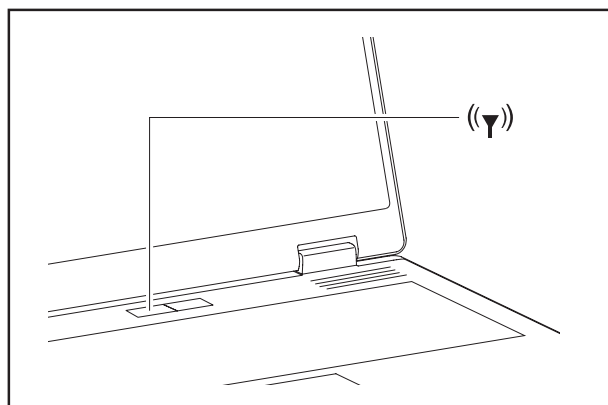


The installation of a wireless LAN module not approved by Fujitsu Siemens Computers GmbH voids the permits issued for this device (see chapter ["Technical data", Page 30](#)).

Switching the radio components on and off

Start the *WirelessSelector* using the radio components EasyLaunch key or the key combination **Fn** + **F1**.

The *WirelessSelector* allows the radio components activated in *BIOS Setup* to be switched on and off individually.



▶ Press the EasyLaunch button to start the *WirelessSelector*.

or

▶ Press the key combination **Fn** + **F1** to start the *WirelessSelector*.

↳ The radio component indicator will be illuminated when one or more radio components is switched on.



If you switch off the radio components, the Bluetooth module, UMTS and wireless LAN transmission unit (antenna) will also be switched off.

You can enable or disable the radio components individually.

BIOS Setup allows you to specify which radio components can be switched on and off using the EasyLaunch key or the key combination **Fn** + **F1**. Only those components that have been activated in *BIOS Setup* can be switched on and off using the EasyLaunch key or the key combination **Fn** + **F1**. Conversely, components that are deactivated in *BIOS setup* cannot be controlled using the EasyLaunch key or the key combination.

You can also activate and deactivate the radio components individually in the *BIOS Setup*.

Pay attention to the additional safety notes for devices with radio components provided in the "Safety" manual.

Details on using Wireless LAN can be found in the online help system included in the Wireless LAN software.

More detailed information on how to use Bluetooth can be found on the "Drivers & Utilities" CD/DVD.

You can obtain more information on UMTS from your service provider.

Removing and installing components during servicing



Only qualified technicians should repair your notebook. Unauthorised opening or incorrect repair may greatly endanger the user (electric shock, fire risk) and will invalidate your warranty.

You may remove and install the components described in this chapter yourself after consulting the Hotline/Help Desk.



If you remove and install components without consulting the Hotline/Help Desk, then the warranty of your notebook will be voided.



The illustrations shown below may differ from your actual device. They are merely intended to clarify the principles involved.

Notes on installing and removing boards and components

- Switch the notebook off and pull the power plug out of the mains socket.
- Remove the battery.
- Take care when you use the locking mechanisms on the battery and any other component.
- Never use sharp objects such as screwdrivers, scissors or knives as leverage to remove covers.



Boards with electrostatic sensitive devices (ESD) are marked with the label shown.

When handling boards fitted with ESDs, you must always observe the following points:

- You must always discharge static build up (e.g. by touching a grounded object) before working.
- The equipment and tools you use must be free of static charges.
- Remove the power plug from the mains supply before inserting or removing boards containing ESDs.
- Always hold boards with ESDs by their edges.
- Never touch pins or conductors on boards fitted with ESDs.

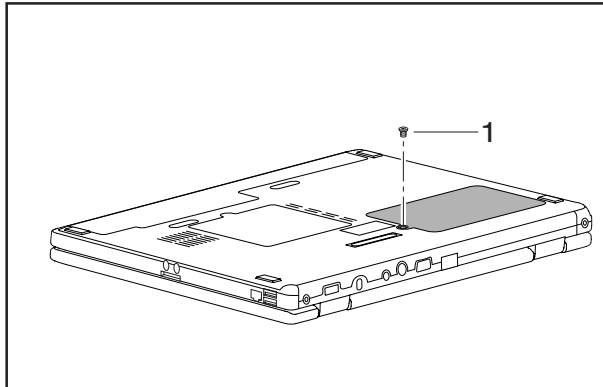
Hard disk

The hard disk is the most important storage medium of your notebook. You can work considerably faster and more efficiently if you copy applications and files from CDs to your hard disk.

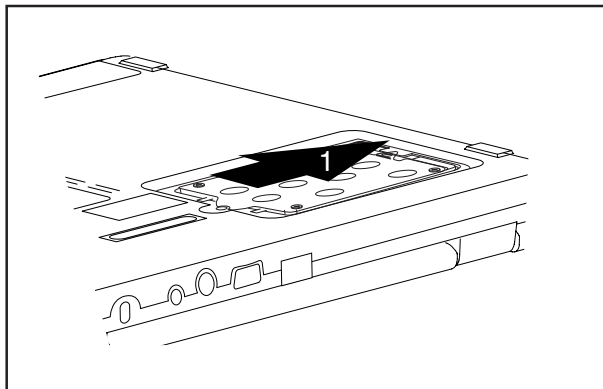
When the hard disk is accessed, the hard disk indicator lights up in the status indicator panel.

Removing the hard disk

- ▶ Switch the notebook off and pull the power plug out of the mains socket.
- ▶ Close the LCD screen.
- ▶ Disconnect all cables connected to the notebook.
- ▶ Turn your notebook over and place it on a stable, sturdy, flat surface. If necessary, lay an anti-slip cloth on this surface to prevent the notebook from being scratched.
- ▶ Remove the battery (see ["Removing the battery", Page 15](#)).

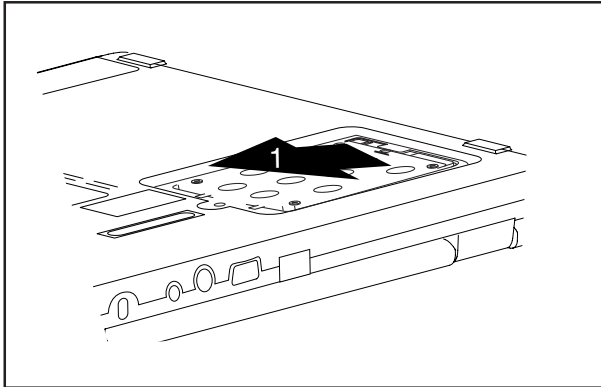


- ▶ Remove the screw (1).
- ▶ Lift off the hard disk cover.

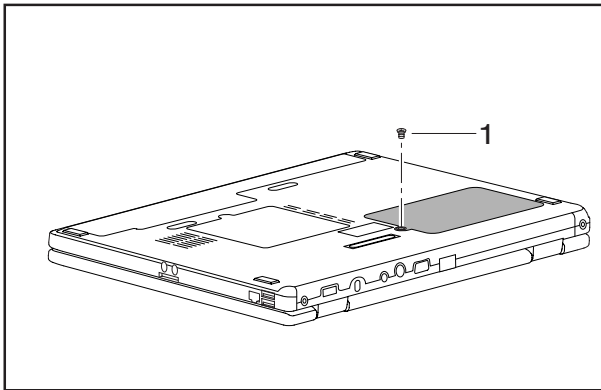


- ▶ Use the pulling aid to pull the hard disk out of the bay in the direction of the arrow (1).

Installing the hard disk



- ▶ Insert the hard disk into the hard disk compartment in the direction of the arrow (1) .



- ▶ Place the hard disk cover over the opening.
- ▶ Tighten the screw (1).

- ▶ Install the battery again (see ["Inserting the battery", Page 15](#)).
- ▶ Turn the notebook the right way up and place it on a flat surface.
- ▶ Reconnect the cables that you disconnected previously.

Removing and installing memory modules



Your notebook supports dual-channel DDR2 technology.

The dual-channel DDR2 technology can only be used with two identical memory modules. When two different memory modules are installed, only "single-channel" mode is supported. This reduces the performance of your notebook.

With a memory configuration of 4 GBytes, the visible and usable main memory may be reduced to 3 GBytes (depending on the operating system).

If you are asked by the Hotline/Help Desk to remove and install the memory modules yourself, proceed as follows:



Pay attention to the relevant safety notes provided in the "Important notes" chapter.

The notebook must be switched off when installing/removing the memory modules, it must not be in Suspend mode.

Only use approved memory expansion modules in your notebook (see Section ["Technical data", Page 30](#)).

Never use force when installing or removing memory modules.

Make sure that foreign objects do not fall into the memory expansion compartment.

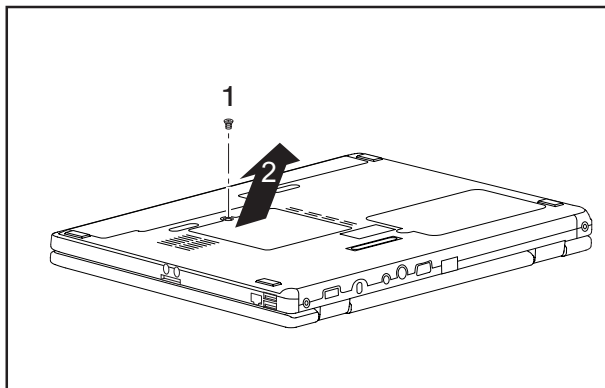


Individual components (e.g. the processor heat sink) can become very hot during operation. Therefore, we recommend that you wait one hour after switching off the notebook before removing or installing the memory modules. Otherwise, there is a risk of suffering burns!

As some non-ESD safe components are exposed, please observe the section ["Notes on installing and removing boards and components", Page 23](#).

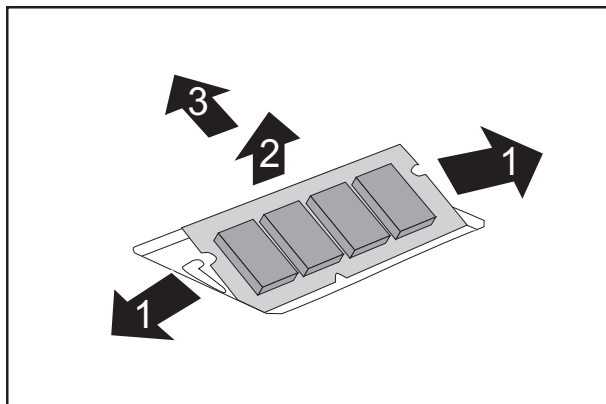
- ▶ Switch your notebook off and unplug the mains adapter from the mains outlet.
- ▶ Close the LCD screen.
- ▶ Disconnect all cables connected to the notebook.
- ▶ Turn your notebook over and place it on a stable, flat and clean surface. If necessary, lay an anti-slip cloth on this surface to prevent the notebook from being scratched.
- ▶ Remove the battery (see ["Removing the battery", Page 15](#)).

Removing the cover



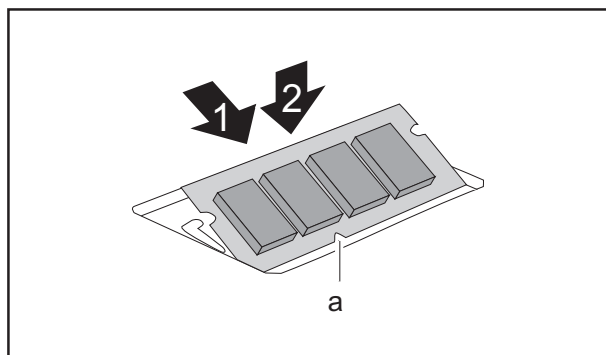
- ▶ Remove the screw (1).
- ▶ Pull the cover off the notebook (2).

Removing memory modules



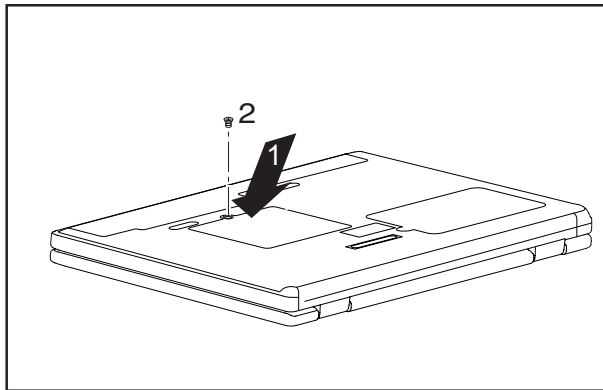
- ▶ Carefully push the two mounting clips outwards (1).
- ↳ The memory module snaps upwards (2).
- ▶ Pull the memory module out of its slot in the direction of the arrow (3).

Installing a memory module



- ▶ Insert the memory module with the contacts and the recess (a) facing the slot (1).
- ▶ Carefully push the memory module downwards until you feel it click into place (2).

Attaching the cover



- ▶ Place the cover in the correct mounting position (1).
- ▶ Fasten the cover with the screw (2).

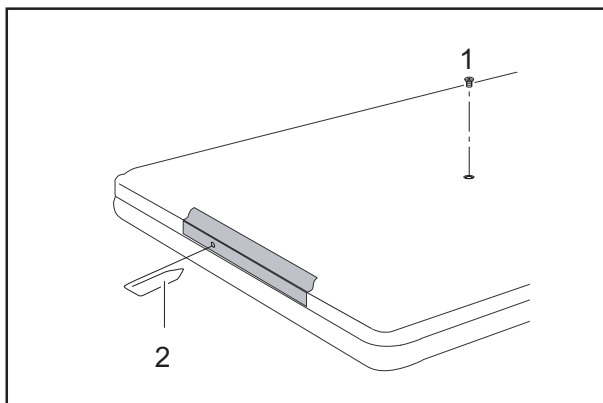
- ▶ Reinstall the battery (see ["Inserting the battery", Page 15](#)).
- ▶ Turn the notebook the right way up and place it on a flat surface.
- ▶ Reconnect the cables that you disconnected previously.

Removing and installing the optical drive

If you are asked by the Hotline/Help Desk to remove and install the optical drive yourself, proceed as follows:

Removing the optical drive

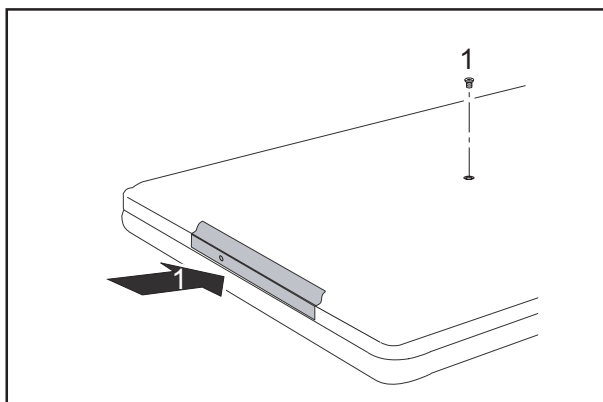
- ▶ Switch off your notebook and disconnect the power plug from the mains socket.
- ▶ Close the LCD screen.
- ▶ Disconnect all cables connected to the notebook.
- ▶ Turn your notebook over and place it on a flat surface.
- ▶ Remove the battery (see Chapter ["Removing the battery", Page 15](#)).



- ▶ Remove the screw (1).
- ▶ Press a metal pin or wire (e.g. paperclip) firmly into the opening (2).
- ↳ The drive tray will be ejected. You can now pull out the drive tray completely.

- ▶ Hold the drive tray firmly on both sides in the centre, and carefully pull the optical drive out of the notebook.
- ▶ Push in the drive tray until you feel it lock into place.

Installing the optical drive



- ▶ Slide the drive into the notebook in the direction of the arrow (1).
- ▶ Tighten the screw (2).

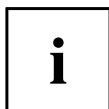
- ▶ Reinstall the battery (see ["Inserting the battery", Page 15](#)).
- ▶ Turn the notebook the right way up and place it on a flat surface.
- ▶ Reconnect the cables that you disconnected previously.

Technical data

Notebook

| Environmental conditions | |
|--------------------------|----------------|
| Environmental class | 3K2 |
| Temperature | |
| Operating (3K2) | 5 °C – 35 °C |
| Transportation (2K2) | -15 °C – 60 °C |

| Dimensions | |
|-------------------------------------|---|
| Width x Depth x Height (front/back) | <ul style="list-style-type: none"> • ESPRIMO Mobile U9200: 300 mm x 223 mm x 37.5 mm • ESPRIMO Mobile M9400: 335 mm x 245 mm x 38 mm • ESPRIMO Mobile D9500: 360 mm x 260 mm x 37.5 mm |
| Weight (depending on configuration) | <ul style="list-style-type: none"> • ESPRIMO Mobile U9200: Approx. 1.9 kg • ESPRIMO Mobile M9400: Approx. 2.2 kg • ESPRIMO Mobile D9500: Approx. 2.5 kg |



The data sheet for this notebook contains further technical data. The data sheet can be found on your notebook or on the Internet at ["www.fujitsu-siemens.com"](http://www.fujitsu-siemens.com) or on the "Drivers & Utilities" CD/DVD.

Battery

| | Main battery | Second battery/travel battery |
|----------------|--------------|-------------------------------|
| Rated voltage | 11.1 V | 11.1 V |
| Rated capacity | 5200 mAh | 3800 mAh |



The operating time depends on the device equipment, the active applications and the energy saving settings.

Mains adapter

| Electrical data | |
|--------------------|-------|
| Rated voltage | 20 V |
| Max. rated current | 4.5 A |

An additional mains adapter and power cable can be ordered at any time.

Index

A

Activate energy saving mode 13
Alt+Tab 13

B

Back tab 13
Battery 5
 important notes 15
 inserting 15
 removing 15–16, 18
Battery charging indicator 11
Battery indicator
 see battery indicator 11
Battery release latch 5
Battery symbol
 see battery indicator 11
Bluetooth 22
 switching off 12, 22
 switching on 12, 22
Board 23

C

Camera 5
 switching off 12
 switching on 12
Caps Lock
 indicator 11
Caps Lock indicator 11
Components
 installing / removing 23
Ctrl+Alt+Del 13

D

DC jack (DC IN) 5
Drive indicator 11

E

EasyLaunch key 5
ESD 23
ExpressCard slot 5

F

Fn + F1 12
Fn + F10 13
Fn + F12 13
Fn + F3 12
Fn + F4 12

Fn + F5 12
Fn + F6 12
Fn + F7 12
Fn + F8 12
Fn + F9 13

H

Hard disk 5
 removing 24, 29
Headphone port 5

I

Indicator
 Drive 11

K

Kensington Lock 5

L

LAN port 5
Loudspeaker
 switching ON/OFF 12

M

Main memory 26
Memory card slot 5
Memory expansion 26
 installing 27
 removing 27
Memory module
 installing 27
 removing 27
Memory upgrade 26
Microphone 5
Microphone port 5
Modem port 5
Monitor port 5

N

Notes
 battery 15
 boards 23
 travel battery 16
Num Lock
 indicator 11
Num Lock indicator 11

O

ON/OFF switch 5
Optical drive 5

R

Radio components indicator 11

S

S-Video out socket 5
Screen brightness
 decrease 12
 increase 13
Scroll
 indicator 11
Scroll Lock indicator 11
Scroll Lock:
 indicator 11
Servicing 23
Shift+Tab 13
Sleep mode
 activating 13
Status indicators 5, 10
System expansion
 memory expansion 26

T

Technical data
 battery 30
 Notebook 30
Technical data for the

 mains adapter 30
Toggle output screen 13
Touchpad 5
 switching off 12
 switching on 12
Touchpad buttons 5
Travel battery
 important notes 16

U

UMTS 22
 switching off 22
 switching on 22
USB port 5

V

Volume
 decrease 12
 increase 12

W

Warm reboot 13
Wireless LAN 22
 switching off 22
 switching on 22
WLAN
 switching off 12
 switching on 12